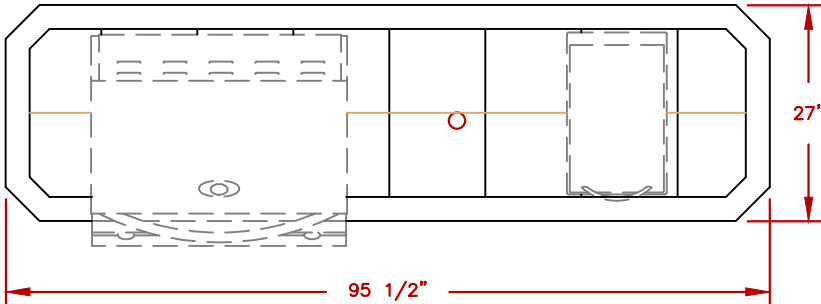
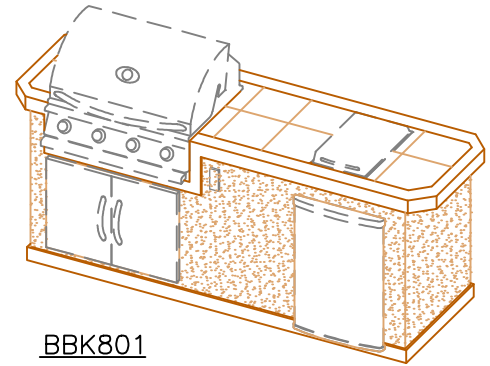


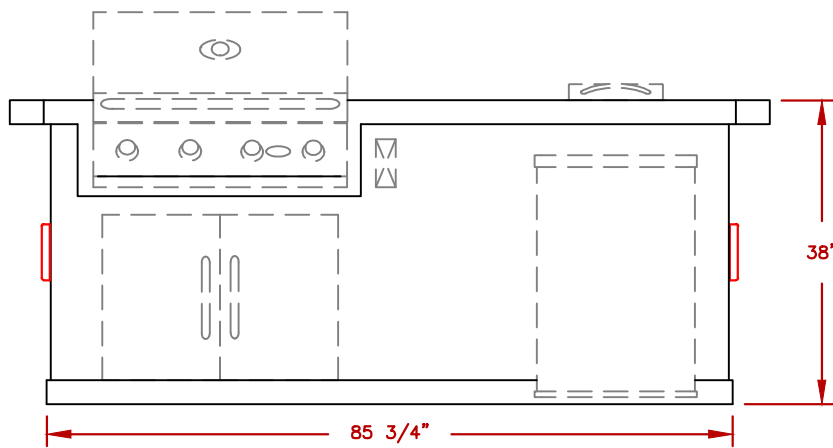
LINE	BBQ ESCAPE LINE
MODEL	BBK801
REF.	ATLANTIC Q



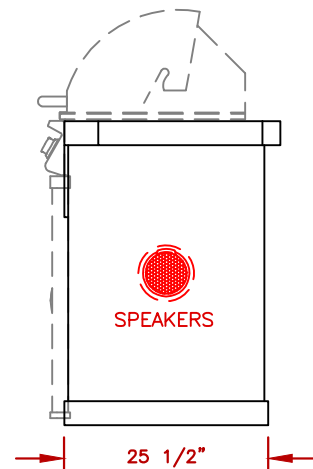
TOP VIEW



BBK801



FRONT VIEW



SIDE VIEW

STANDARD FEATURES

QTY.	SYMB.	DESCRIPTION
-	(A)	PORCELAIN TILE 12 X 24 (FIELD) (BORDER)
-	(B)	AMERISTONE STUCCO
-	(C)	3" BOTTOM TRIM (TILE ONLY)
1	(D)	4 BURNER G4 LP
1	(E)	STD. SIDE BURNER BURNER LP
1	(F)	INTERIOR ELECTRICAL
1	(G)	27" ACCESS DOOR
1	(H)	SST REFRIGERATOR

OPTIONS

SYMB.	DESCRIPTION	OPT#
OPT1	UNDERCOUNTER LIGHTS	OPTQ820L
OPT2	FREEDOM SOUND SYSTEM BLUETOOTH, POWERED SUBWOOFER AND 2X SPEAKERS	OPTQ23-FS23
OPT3	UMBRELLA HOLE ONLY	OPTQ23-837



TITLE
2024 BARBECUE LINE
BBK ESCAPE SERIES
BBK801 ATLANTIC Q

SCALE:

DWG NO.

DWG BY
M ORTEGA

REVISED

REV. DESCR.

DATE
12/20/2023

NOTE:
DUE TO OUR CONTINUOUS IMPROVEMENT PROGRAM, ALL MODELS
AND SPECIFICATIONS ARE SUBJECT TO CHANGE WITHOUT NOTICE.