

# IMPORTANT KNOWLEDGE FOR UNPACKING

Unpacking the shipping crate that holds your new popper is the most exciting moment for a true popcorn aficionado like yourself. The Great Northern Popcorn Co. (GNP) has carefully engineered this shipping carton to insure your popper arrives in pristine condition.

Upon removing anything from the carton, inspect the parts for damage. Photograph any damage that may have occurred to the outside of the carton. Photograph any damage to the popper. If you do encounter damage, you will

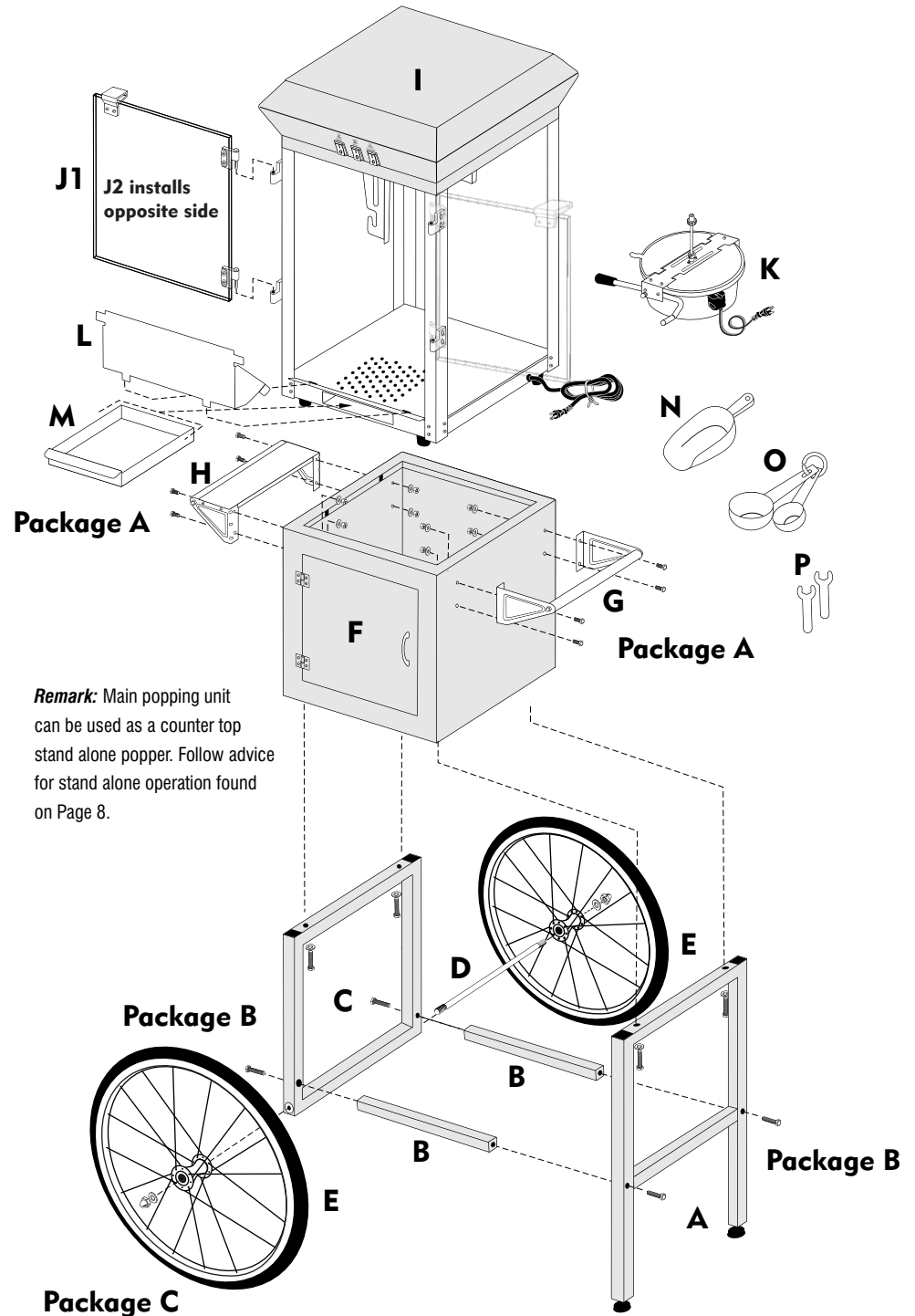
have to file a claim with the shipping company.

## PARTS LIST

- |                                 |                                     |
|---------------------------------|-------------------------------------|
| A. Long Stand                   | J1. Popper Cabinet Door Left        |
| B. Square Cross Members x 2 pc. | J2. Popper Cabinet Door Right       |
| C. Short Wheel base             | K. Kettle                           |
| D. Axle                         | L. Front Tilt Door                  |
| E. Wheels x 2 pc..              | M. Old Maids Drawer                 |
| F. Storage cabinet              | N. Popcorn scoop                    |
| G. Hand Rail                    | O. measure cup set                  |
| H. Work Platform                | P. Assembly Wrench Set 9/16" / 14mm |
| I. Popper Cabinet               |                                     |

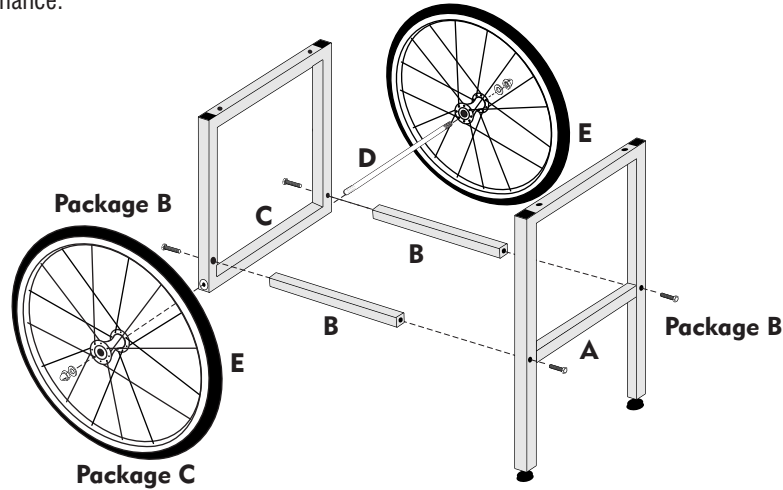
- Package A, 9/16"x 1/2" bolts, nuts, washers - 8 pcs. each
- Package B, 9/16"x1-3/8" bolts x 8 pcs., washers x 4 pcs.
- Package C, 9/16", Cap Nuts, washers x 2 pcs. each
- Package D, wrench x 2 pcs.

**Please Note:** First time use, clean inside glass and wipe inside area with damp sponge. Thoroughly wipe inside of stainless steel pot with clean damp sponge before heat is applied.

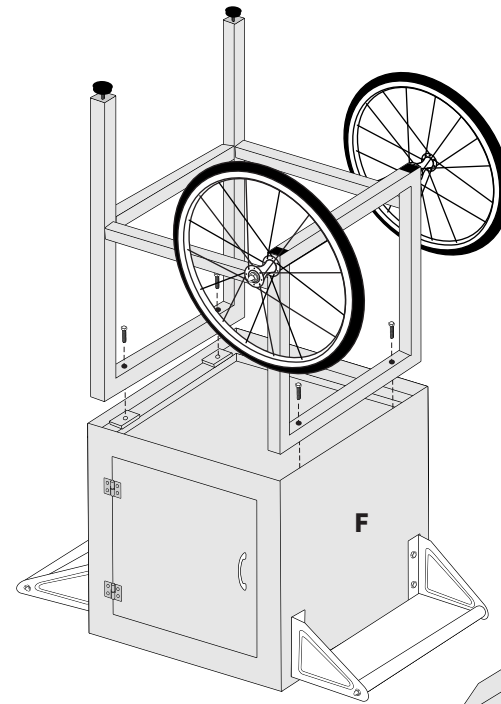
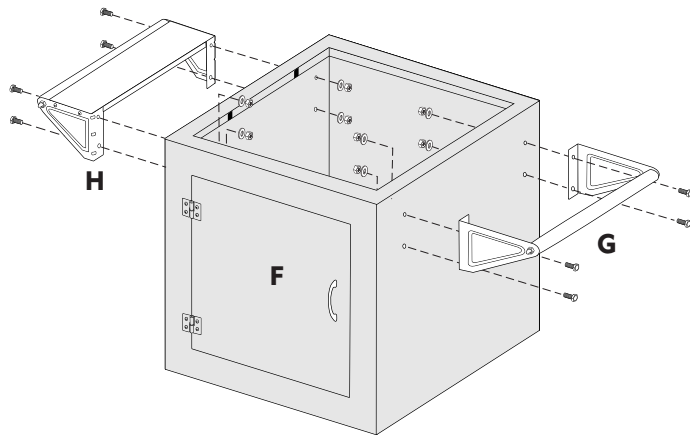


# ASSEMBLY PROCEDURE

1. Use (2) 9/16"x 1-3/8"bolts (Package B) provided to connect the long stand (A) and the 2 square poles (B) together.
2. Connect the assembly above (step 1) with the short stand (C) by using (2) 9/16"x 1-3/8"bolts (Package B).
3. Add a cap nut and washer (Package C) to one end of the axle (D). Insert axle (D) through one wheel (E) and into short stand axle hole (C). Place the second wheel (E) on the opposite end of axle (D). Next place cap nut and washer (Package C) onto the exposed end of the axle (D). Tighten cap nut with wrench provided (P). Check cap nut tightness periodically during routine maintenance.



4. Install the handrail (G) onto the right hand side of the storage unit (F) and the working platform (H) on the left hand side with the nuts, bolts and washers included (Package A).

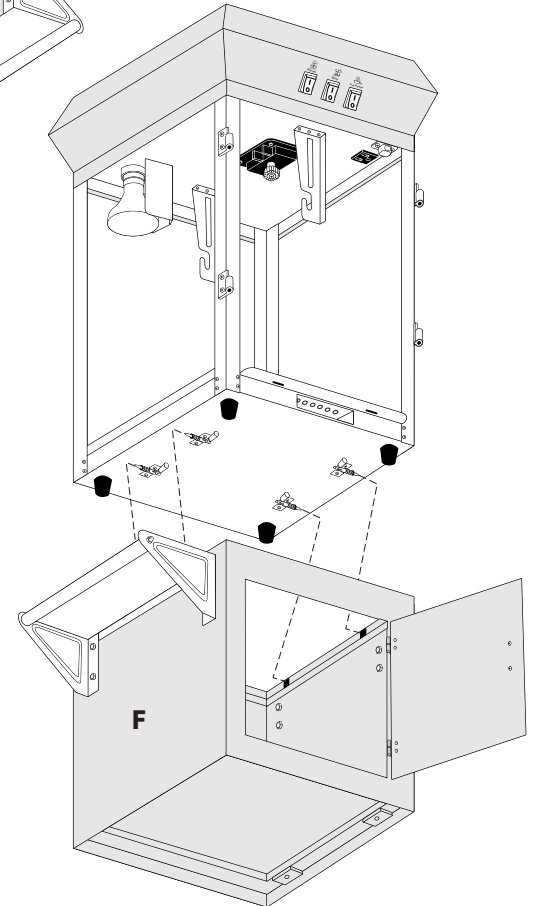


5. Turn the storage cabinet (F) up side down for convenient assembly. Insert both ends of the short and long stands onto the bottom of cabinet (wheels opposite of the handle attachment) and attach with bolts (Package B). Use wrench provide to thoroughly tighten bolts. Turn the completed unit back to up-right position.

**Note:** This task should be performed on carpet or a section of cardboard to avoid scraping the cabinet or damaging your floor. **This is a two person task.**

6. Place the main popper unit (I) onto the topside of the storage cabinet (F). Use the four spring loaded latches to secure the popping unit to the storage cabinet.

**Caution:** Do not attempt to move your popper without securing the latches. The popping unit will topple off causing property and/or personal damage.



7. The glass door (J) simply slides into the two anchor hinges on the popping unit. (I) The door is easy to remove for cleaning.

**Note:** The metal handle should align with the magnetic latch on the popping unit (I).

8. Align the two bottom tabs on the Stainless Steel tilt door (L) with the slots on the bottom platform of the popping unit. The side panels will bend in slightly to maneuver past the corner rails.

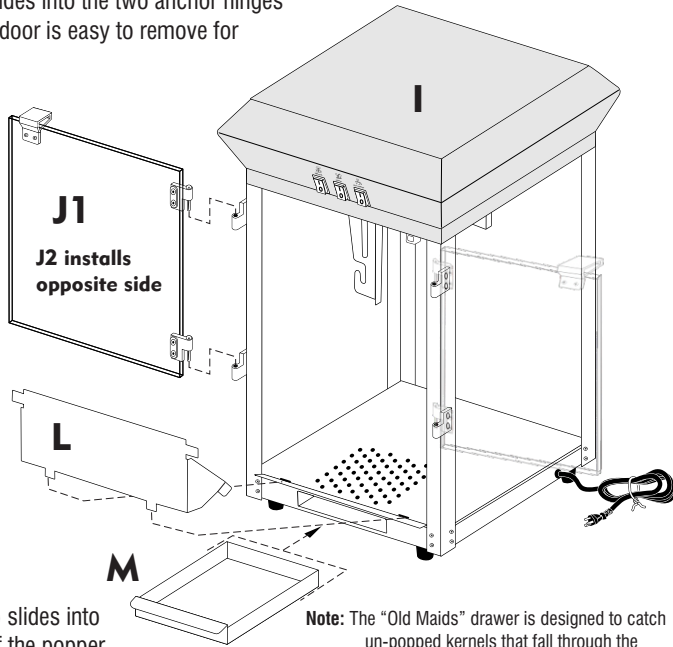
9. The “Old Maids” drawer (M) slides into the opening at the bottom of the popper unit.

10. Next place the pot (K) onto the hangers located in the popper unit. Hold the pot centered at approximately a 70 degree angle as illustrated here. Place the two hanger bars into the slots on the hanger. **Do Not force.** Make sure the hangers are well seated before swinging the axle shaft up to the motor. The roller pin will fit into the niche on the motor and will help align the gears. Check to make sure the gears properly meshed together before starting the motor.

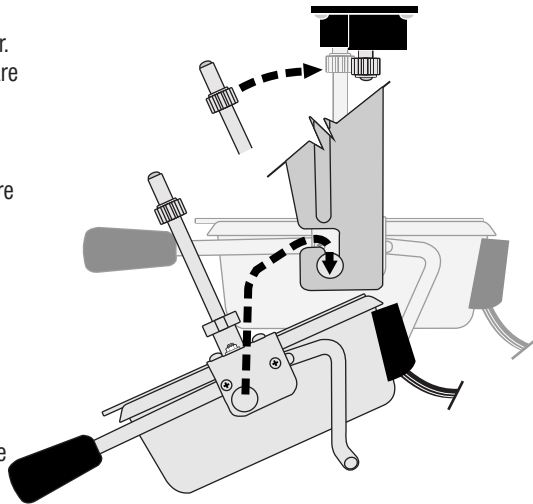
**CAUTION** The pot on this popper will become extremely hot when in use.

**DO NOT** Remove or install pot until it is completely cooled off.

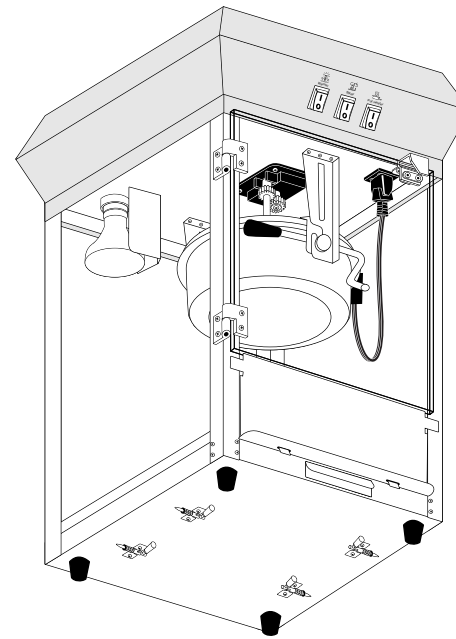
**DO NOT** Load pot before installing or while hot. Avoid steam released from the pot. It can scald and cause severe burns.



**Note:** The “Old Maids” drawer is designed to catch un-popped kernels that fall through the sized holes. Occasionally empty the drawer. Debris that may not make it into the drawer should be removed before replacing drawer tray. Loose debris can prevent the drawer from shutting properly.



**Note:** Hand bar should be on the door side facing you.



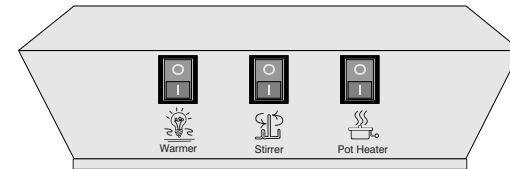
11. The last step is to plug the pot into the outlet located on the ceiling of the popper cabinet. Before plugging the pot into the cabinet outlet, make sure the pot is seated properly on the hangers, the gear shaft is properly aligned and all the switches are in the off position.

**NEVER plug the pot cord directly into a electrical outlet.**

- Note:** The upper cabinet is equipped with rubber feet and can be used separate from storage cabinet on a sturdy counter top.
- Do Not** place the popper near a heat source such as a stove or oven. Allow a minimum of 12” of open space on all sides.
- Do Not** place this unit near water or a water source.
- Do Not** use electric circuits that do not meet minimum requirement as specified.

## SUCCESS!

Now that you have assembled your popper, you are ready to make popcorn the way it’s made in theaters and concessions everywhere. Below are instructions on how to operate your popper. Read them carefully to make yourself a popping expert. When operated correctly your popper will give you many years of service and happiness.



### WARMER

The Warmer switch operates the light in the back left corner of the popper unit and the warming element in the bottom tray. The warmer can be left on for extended periods of time. The two elements work together to keep the popcorn fresh and warm. Ready to Eat!

**Warning:** Do not dump liquid toppings onto popped corn while in the popper. It will cause a huge mess and result in much clean-up time. Remove popcorn to a serving bowl before adding wet toppings.

### Stirrer

The Stirrer switch operates the stirrer located inside the pot. Make sure it is free of obstruction and the axle gear and the motor gear are properly seated before turning the Stirrer switch on. If pot is not cleaned at appropriate intervals or recommended popping oils are not used, the bottom of the pot will gum with burnt oil and debris. If the stirrer sounds the least bit strained, switch off immediately and solve the problem.

### Pot Heater

The Pot Heater switch operates the heating element in the bottom of the pot. (Kettle) It is engineered to deliver the perfect temperature for popping Popcorn. **It is extremely hot!** Care should be taken when in close proximity of the pot. When pot is hot use heat resistant gloves. Only touch the safety knob on the pouring handle.

**KEEP CHILDREN AWAY FROM HOT POT!**