



All-in-one USB Microphone

多合一USB麦克风

BY-CM6B

User Manual
用户手册



General Introduction

Thanks for choosing BOYA!

The BOYA BY-CM6B is a desktop USB microphone with a built-in camera and LED ring light. It is compatible with Windows and Mac computers, ideal for live streaming, video conferencing, vocal performance, and more.

With a cardioid pickup pattern, the BY-CM6B is designed to capture sound in front of the microphone and effectively reduce unwanted background noise. The built-in camera provides crisp, clear images with an 4K ultra HD resolution.

The BOYA BY-CM6B features built-in controls for gain, headphone volume and muting, while the 3.5mm headphone jack enables real-time monitoring. An LED ring light surrounds the camera, providing even illumination for the user. Finally, an adjustable desktop stand allows you to adjust the microphone to the desired angle.



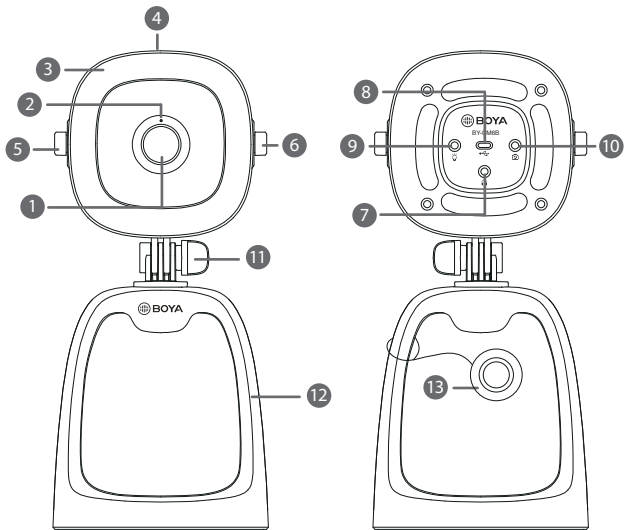
Cautions

- If you do not intend to use the microphone for a long period of time, please remove the USB cable.
- Do not touch the microphone while recording, as this will cause noise to be recorded.
- Do not let the microphone close to high-voltage equipment or to devices that emit strong electromagnetic fields, otherwise, it may cause the noise to be recorded.
- Do not use or leave the microphone in hot, humid places.

Package Contents

- BY-CM6B Microphone
- USB-A to USB-C Cable (1.2m)
- Lens Cap with Lanyard

Product Structure



1. Built-in camera

2. Camera status indicator

Light on: camera on

Light off: camera off

3. LED ring light

4. Power indicator

Mode	Indicator
Power on	Solid blue light
Power off	Light off
Mute on	Solid red light

5. Gain control

Turn the knob to adjust gains for microphone input level.

6. Headphone volume/mute control

Turn the knob to adjust the headphone volume.

Short press the knob to mute/unmute the microphone.

7. 3.5mm headphone output

8. USB-C port

9. LED light on/off control

Touch to turn on/off the light or adjust the brightness.

10. Camera on/off control

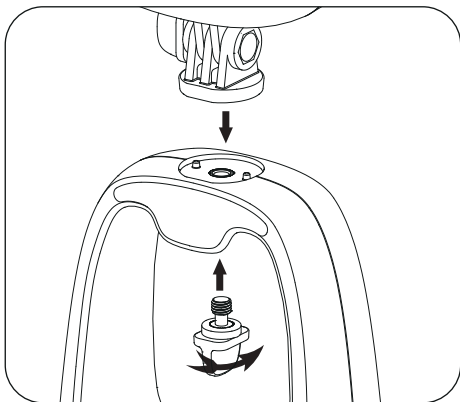
Touch to turn on/off the camera.

11. Locking knob for angle adjustment

12. Desktop stand

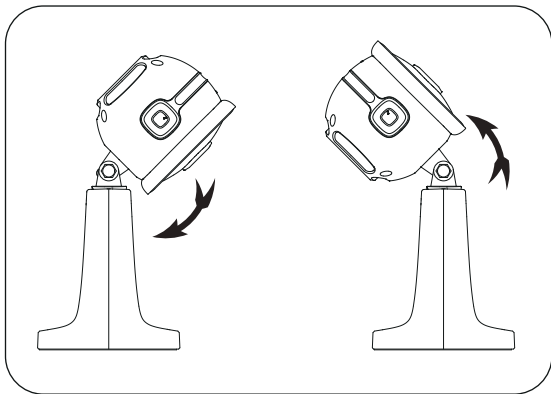
13. Lens Cap with

Installation Guide

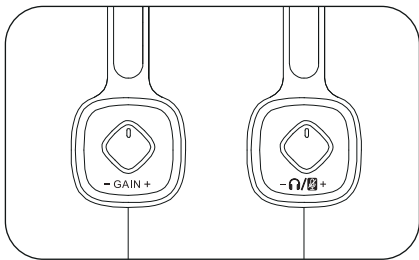


How to Use

1. Loosen the locking knob, adjust the microphone to the desired angle, then tighten the knob.



2. Turn the gain control and the volume control knobs halfway to max before recording.



Note:

50% levels are recommended. Please turn up/down according to your needs.

3. Connect the microphone to a computer with the supplied cable.
4. Connect your headphones to the 3.5mm headphone jack for real-time monitoring.
5. Record with camera.
 - Open the video recording app on your computer.
 - Touch the " 📷 " button to turn the camera on/off.
6. Use the LED ring light if necessary
 - Touch the " 💡 " button to turn the light on/off or adjust the brightness.

Setup for Windows 10

1. Connect the microphone to your computer using the supplied cable.
2. Go to “Setting”, choose “Sound”.
3. Select “Speaker BY-CM6B” as the output device.
4. Select “Microphone BY-CM6B” as the input device.

Sound

Choose your output device

Speaker (BY-CM6B) ▾

Some apps are using custom output settings. You can personalize these in app volume and device preferences below.

Device properties

Volume

🔊 0 93

[⚠ Troubleshoot](#)

Input

Choose your input device

Microphone (BY-CM6B) ▾

Some apps are using custom input settings. You can personalize these in app volume and device preferences below.

Device properties

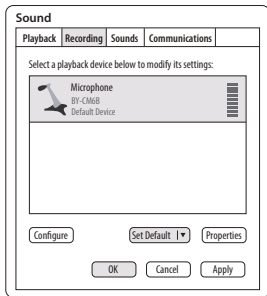
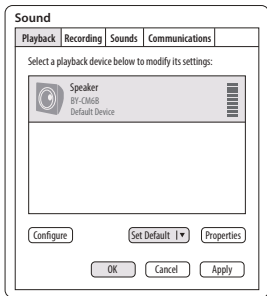
Test your microphone

🎤 _____

[⚠ Troubleshoot](#)

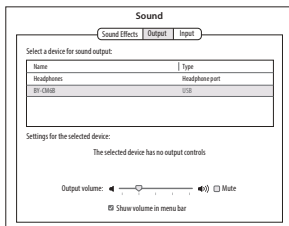
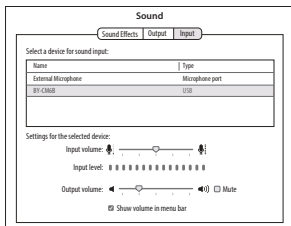
Setup for Windows 7

1. Connect the microphone to your computer using the supplied cable.
2. Go to “Control Panel”-->“Hardware and Sound”--> “Sound”.
3. Select “Speaker BY-CM6B” as the default device in “Sound”, under the “Playback” menu.
4. Select “Microphone BY-CM6B” as the default device in “Sound”, under the “Recording” menu.



Setup for Mac

1. Connect the microphone to your computer using the supplied cable.
2. Go to Apple Icon-->System Preferences-->Sound Icon.
3. Select "BY-CM6B" under the "Input" tab.
4. Select "BY-CM6B" under the "Output" tab.



Features

- All-in-one Cardioid microphone with USB-C connectivity
- Ideal for live streaming, video conferencing, vocal performance, etc
- Compatible with Windows and Mac computers
- Built-in camera with 4K ultra HD resolution
- LED ring light with three levels of brightness
- Gain control, headphone volume control and mute function
- 3.5mm headphone jack for real-time monitoring
- Durable detachable microphone desktop stand
- Plug and play, easy to operate

Specifications

Microphone

Microphone Capsule	14mm capsule
Polar Pattern	Cardioid
Frequency Response	20Hz-20kHz
Sensitivity	-37dB±3dB
Signal-to-Noise Ratio	80dB
Maximum SPL	120dB(0dB=1V/Pa/1KHz)
Mic Gain	42dB
Sampling Rate	48kHz
Bit Depth	24bit
Audio Output Connector	3.5mm headphone output USB-C

Built-in Camera

Resolution	3840*2160
Frame Rate	25fps
Diagonal Field of View	96°
Supported Operating Systems	Windows 7 or later Mac OS X10.4.8 or later

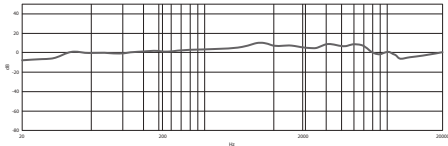
LED Ring Light

Lumens	11-12LM
Color Temperature	5500K-6000K

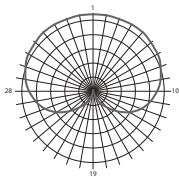
Mechanical Specifications

Dimensions	109×111×245mm
Weight	Approx.627.5g

Frequency Response



Polar Pattern



感谢您选择BOYA!

博雅BY-CM6B是一款多合一桌面USB麦克风，集麦克风、摄像头、补光灯于一体，兼容Windows和Mac电脑，适用于直播、视频会议、人声表演等。

产品采用心型拾音模式，专注于收录麦克风前方声音，有效减少背景噪音。内置高品质4K超清摄像头，可提供超清图像。

BY-CM6B具有增益控制，耳机音量控制和静音功能，机身背面的3.5mm耳机插孔可实现实时监听功能。LED 环形补光灯，可为用户提供均匀补光。产品配备了可拆卸桌面支架，用户可根据自身使用场景，自由调节麦克风角度。



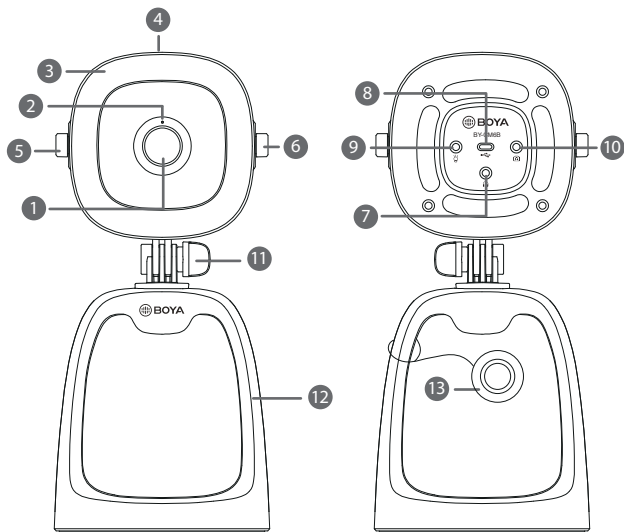
注意事项

- 如果您长时间不使用麦克风，请拔下USB线。
- 在录音时，请勿触碰麦克风，否则噪音也将收录进去。
- 请勿将麦克风靠近高压设备或发射强电磁场的设备，否则可能导致噪音也收录进去。
- 请勿将麦克风放置高温或潮湿的地方。

包装清单

- BY-CM6B麦克风
- USB-A转USB-C音频线 (1.2m)
- 镜头盖 (带挂绳)

产品结构



1. 内置摄像头

2. 摄像头状态指示灯

指示灯亮起：摄像头正常工作

指示灯熄灭：摄像头关闭

3. LED补光灯

4. 电源指示灯

模式	指示灯状态
电源开启	蓝灯常亮
电源关闭	熄灭
静音模式	红灯常亮

5. 增益调节旋钮

转动旋钮调节麦克风增益

6. 耳机音量调节旋钮/静音键

转动可调节耳机监听音量

短按为打开/关闭静音功能

7. 3.5mm耳机插孔

8. USB-C接口

9. 补光灯调节开关

轻触可打开/关闭补光灯，

或调节补光灯亮度

10. 摄像头开关

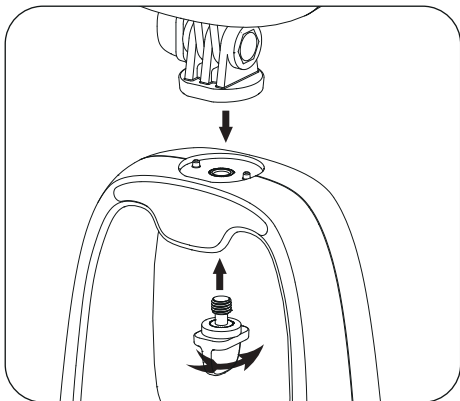
轻触可打开/关闭摄像头

11. 麦克风角度调节旋钮

12. 桌面支架

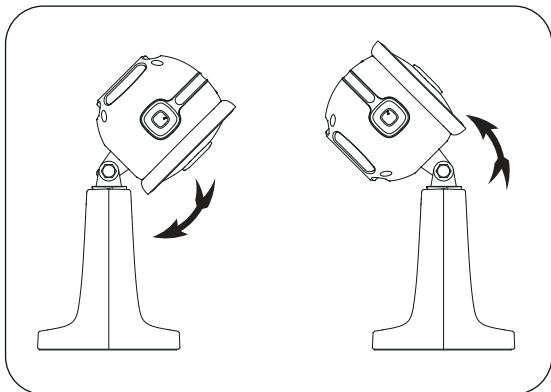
13. 镜头盖

安装指南

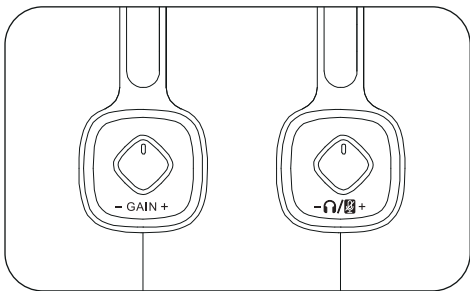


使用方法

1. 松动旋钮，将麦克风调整到所需的角度的，然后拧紧旋钮。



2. 将耳机音量旋钮、增益调节旋钮调节至50%位置。



注意：

建议初始旋钮调节到50%位置。若音源声过大导致声音失真，则往逆时针转动减小增益/音量；若音源声过小，则往顺时针方向转动提高增益/音量。

3. 通过配套的转接线，将麦克风连接至电脑。

4. 将耳机插入耳机孔可实时监听音频。

5. 使用摄像头进行录制

- 在电脑上打开视频录制软件。

- 轻触“Ⓜ”键可开启/关闭摄像头。

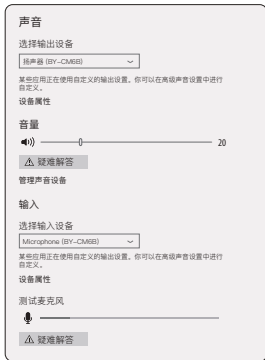
6. 根据需要，使用LED补光灯

轻触“☀”键可打开/关闭补光灯或进行亮度调节。

程序设置

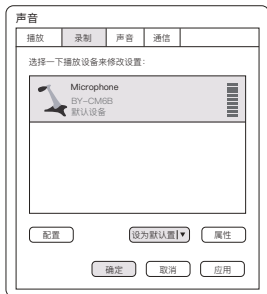
Windows 10系统

1. 用配备的转接线将麦克风接入电脑。
2. 在设置界面选择“声音”。
3. 选择扬声器BY-CM6B为输出设备。
4. 选择麦克风BY-CM6B输入设备。



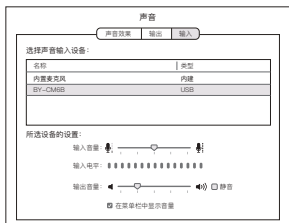
Windows 7系统

1. 用配备的转接线将麦克风接入电脑。
2. 点开“控制面板”-->“硬件和声音”-->“声音”。
3. 在“播放”选项卡下选择“扬声器BY-CM6B”为默认声音设备。
4. 在“录制”选项卡下选择“麦克风BY-CM6B”为默认声音设备。



Mac系统

1. 用配备的转接线将麦克风接入电脑。
2. 进入Apple主菜单-->系统偏好设置--> 声音。
3. 选择“BY-CM6B”为输入设备。
4. 选择“BY-CM6B”为输出设备。



特点

- 多合一 USB心型麦克风
- 适用于直播、视频会议、人声表演等场景
- 兼容Windows和Mac电脑
- 内置4K超高清摄像头
- LED 环形补光灯，三档亮度可调节
- 具备增益控制、耳机音量控制和静音功能
- 3.5mm实时监听耳机插孔
- 耐用可拆卸麦克风桌面支架
- 即插即用，操作简单

参数

麦克风

咪头	14mm咪头
拾音模式	心型
频率响应	20Hz-20kHz
灵敏度	-37dB±3dB
信噪比	80dB
最大声压级	120dB(0dB=1V/Pa/1KHz)
麦克风增益值	42dB
采样率	48kHz
位深	24bit
音频输出接口	3.5mm耳机插孔 USB-C接口

内置摄像头

分辨率	3840*2160
帧率	25fps
视野角度	96°
支持操作系统	Windows 7及以上 Mac OS X10.4.8及以上

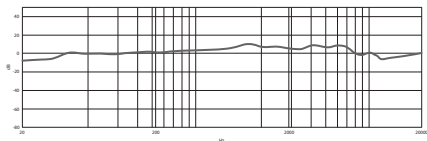
LED环形补光灯

流明度	11-12LM
色温	5500K-6000K

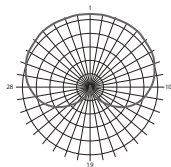
机械参数

尺寸	109×111×245mm
重量	约627.5g

频率响应



极性模式



www.boya-mic.com

SHENZHEN JIAYZ PHOTO INDUSTRIAL., LTD.

The BOYA logo is a trademark which is registered and owned by Shenzhen Jiayz Photo Industrial., Ltd.

深圳市长丰影像器材有限公司

地址:广东省深圳市龙华区观澜街道大富社区硅谷动力智能终端产业园A16栋

TEL: 400 6131096

Email: sales@boya-mic.com

www.boya-mic.com / www.jiayz.com