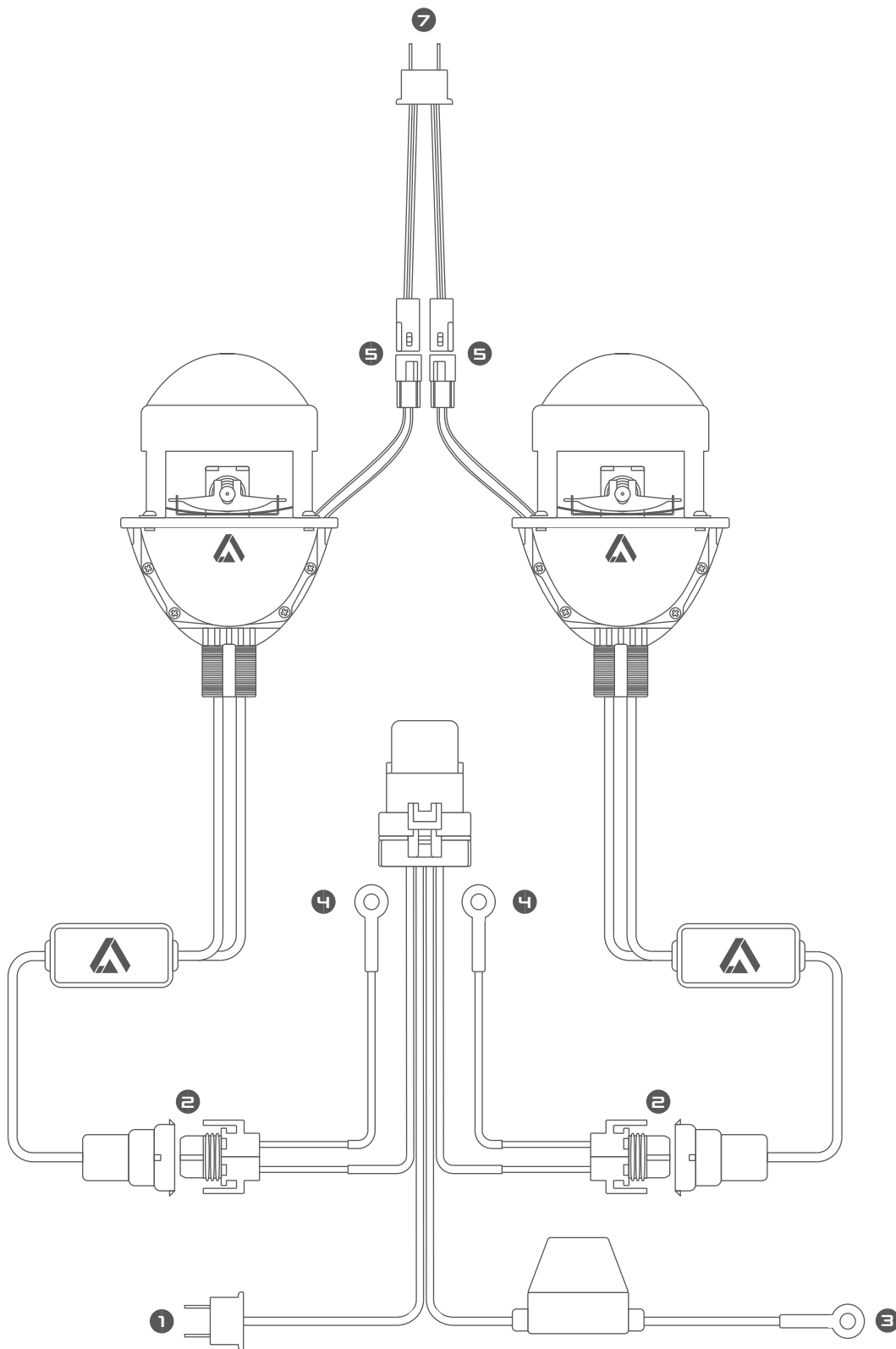


## MOTORCYCLE LED H7 WIRE HARNESS



1. CONNECT TO H7 FEED FROM MOTORCYCLE
2. CONNECT TO DRIVER OF LED PROJECTOR
3. CONNECT TO 12v+ SOURCE OF BATTERY

4. CONNECT TO - OF BATTERY / CHASSIS
5. CONNECT TO HIGHBEAM CONNECTOR OF LED PROJECTOR