

# CONTENTS PAGE

2 - Parts List

3 - Launch ramp

11 - Launch spine

14 - Linking with funbox

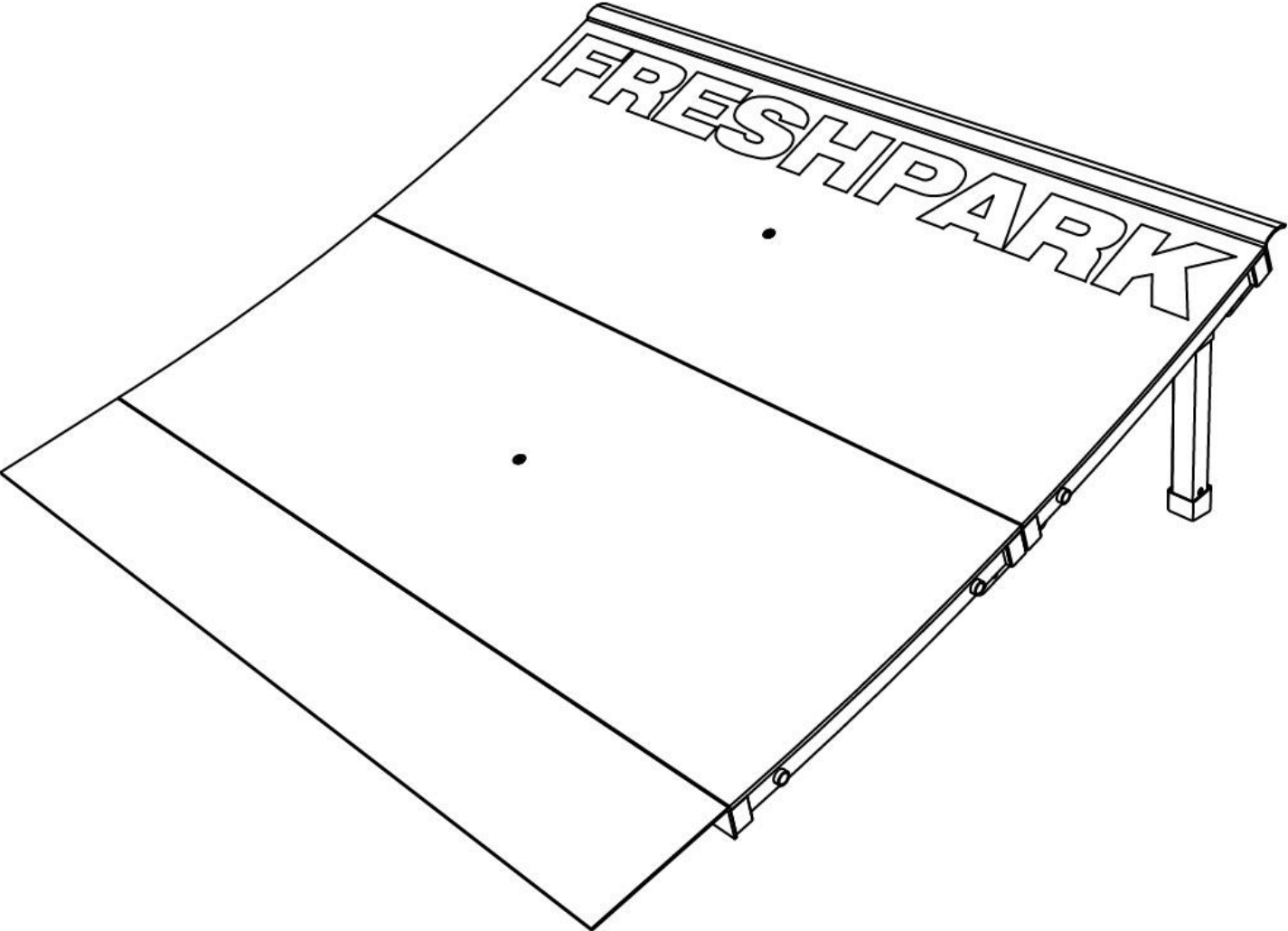
17 - Linking with grind rail

21 - Folding and transporting

# PARTS LIST

- 1 - Bottom panel
- 1 - Top panel
- 1 - Toe piece
- 2 - Legs
- 2 - Rubber feet
- 3 - 3" bolts
- 8 - 2" bolts
- 6 - Small washers
- 18 - Big washers
- 11 - Lock nuts
- 2 - J-bolts
- 2 - Wing nuts
- 2 - Knobs

# LAUNCH RAMP INSTRUCTIONS

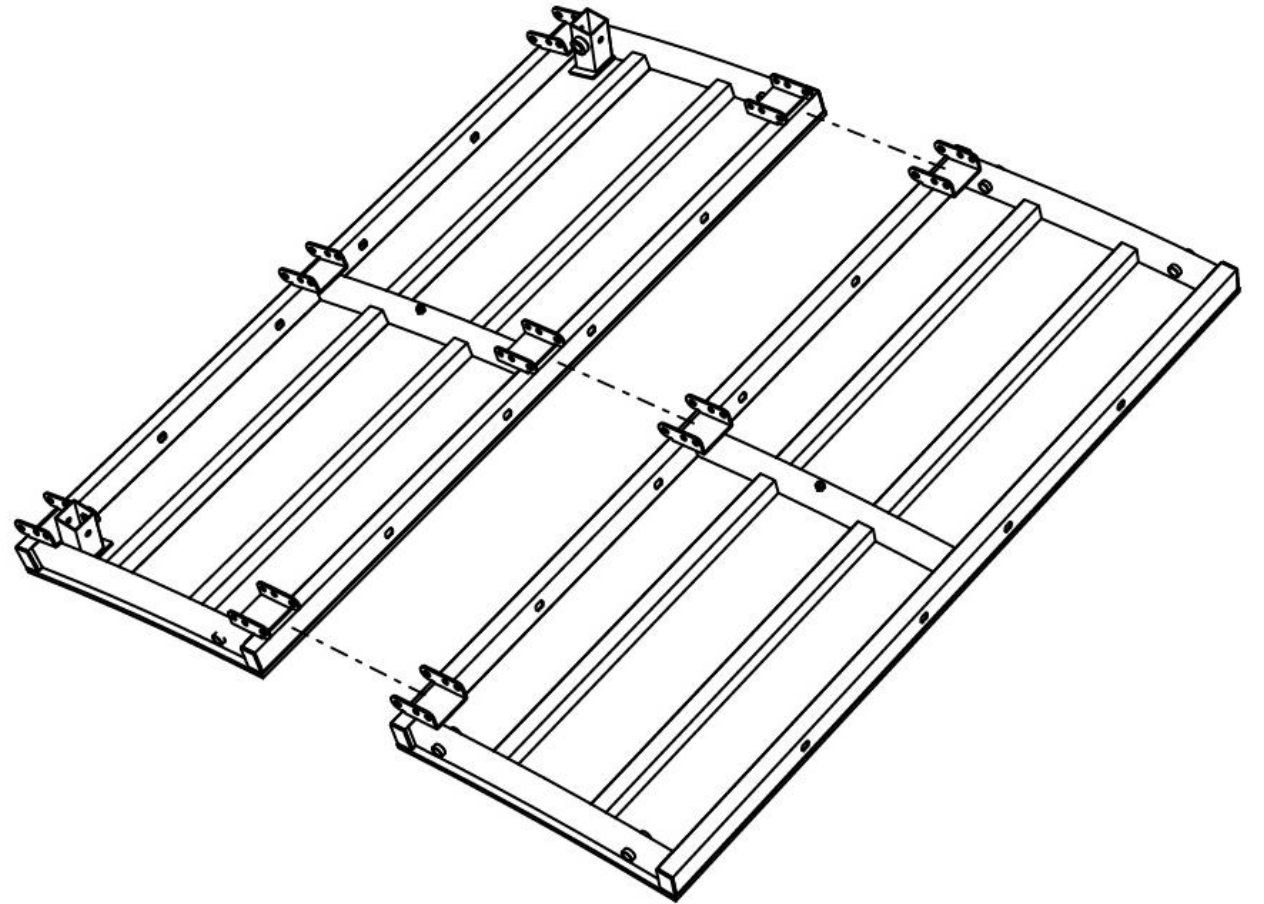


# ATTACHING PANELS

## STEP 1

Align the two panels with the hinges together

Align the panels so the edges of panels are flush with each other



# ATTACHING PANELS

## STEP 2

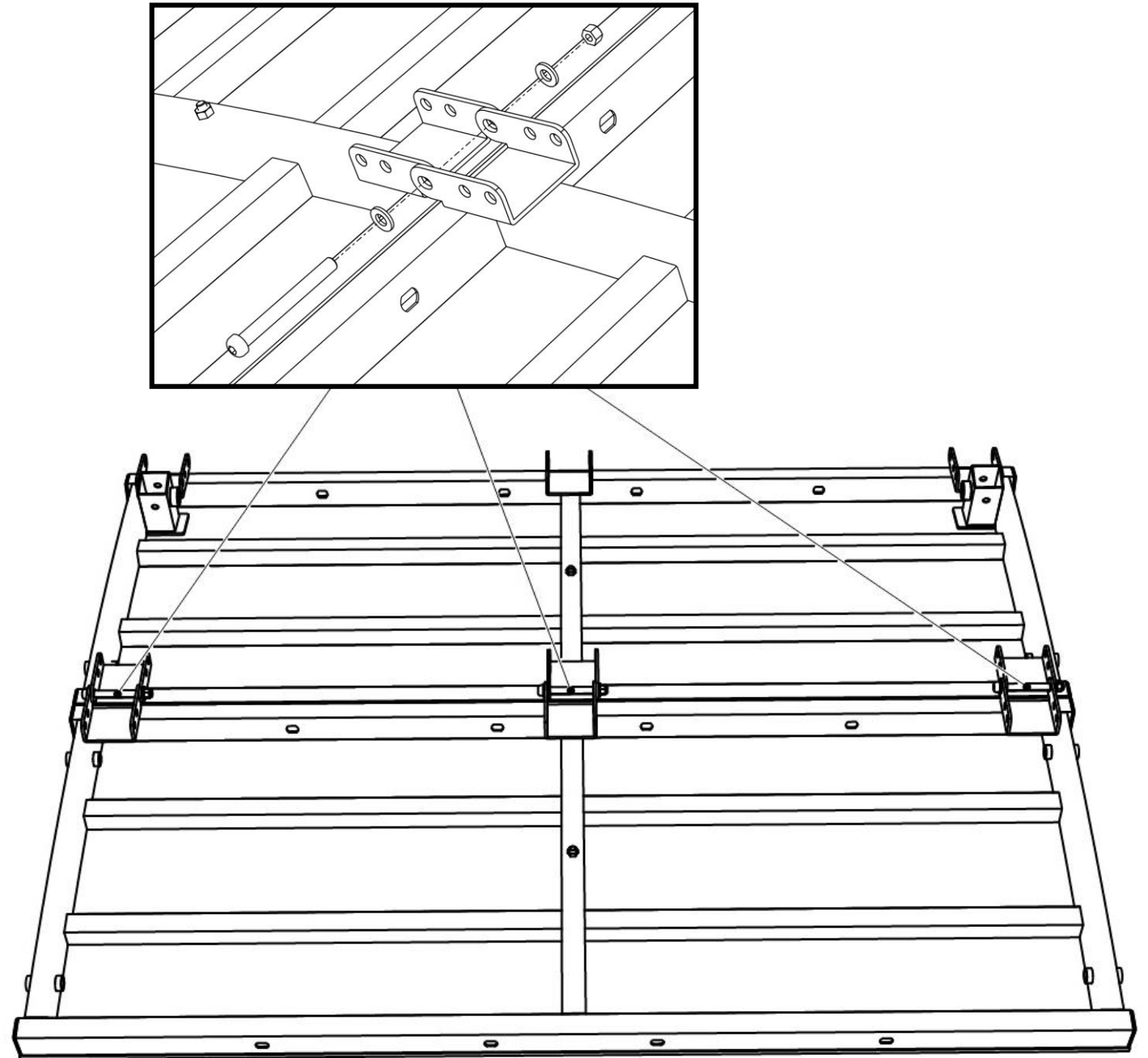
Bolt together the panels using the 3" bolts provided on the 3 hinges

Place a small washer on the 3" bolt and insert it through both hinges

Follow it with a small washer and a lock nut to tighten the hinges together

### Caution:

Do not tighten the bolts too tight to allow the hinges to freely move

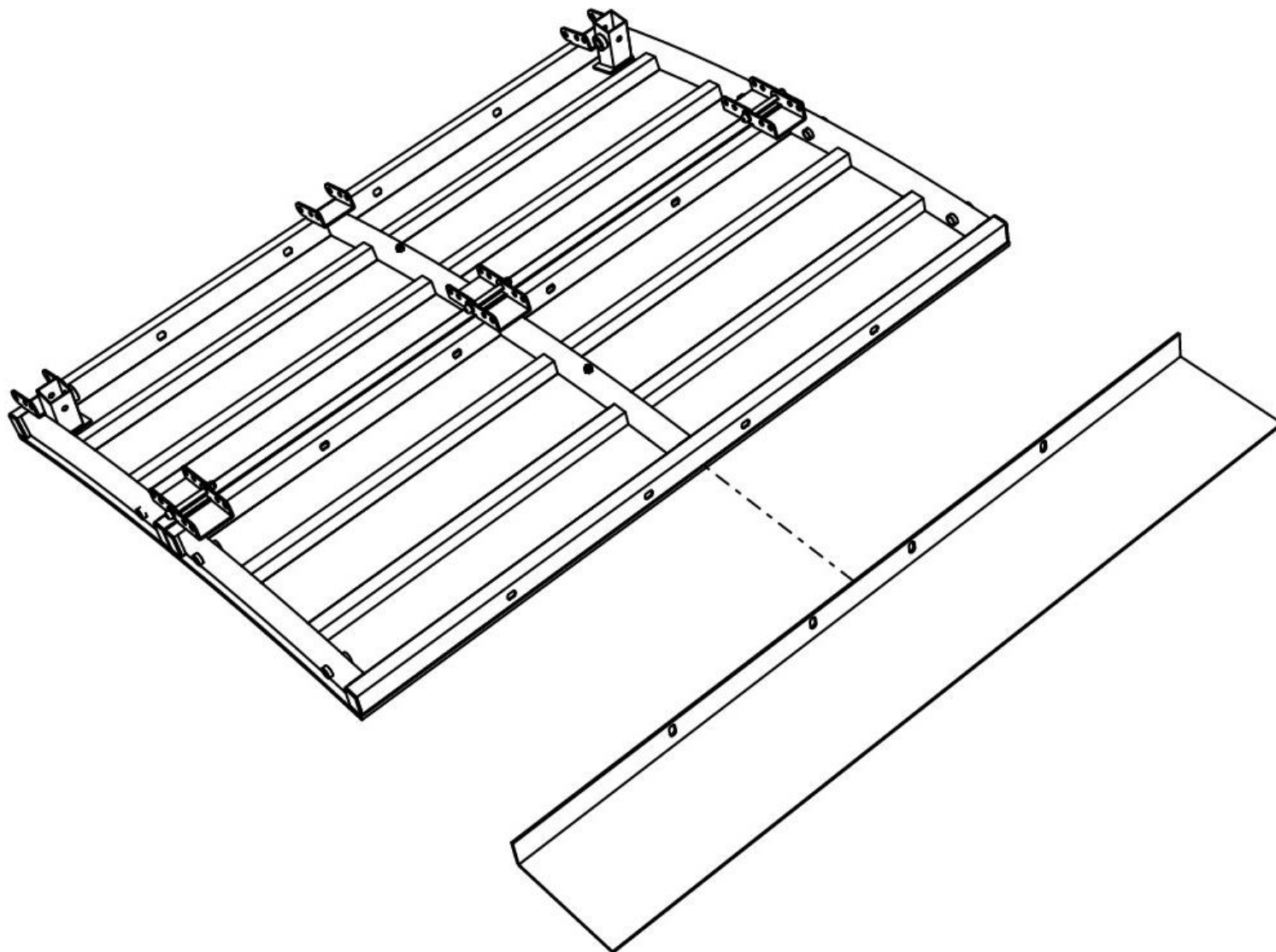


# TOE PIECE

## STEP 3

Place the toe piece on the bottom panel with only 3 hinges

Align the 4 holes in the coping with the 4 holes in the tubing of the panel



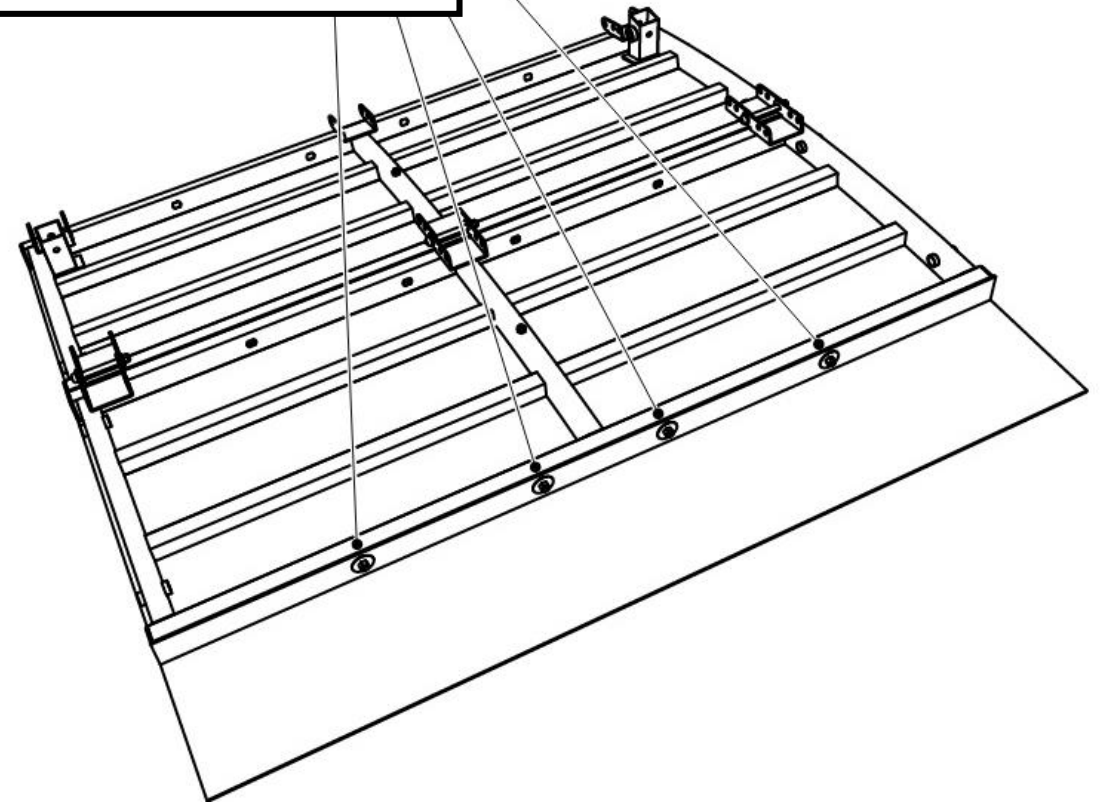
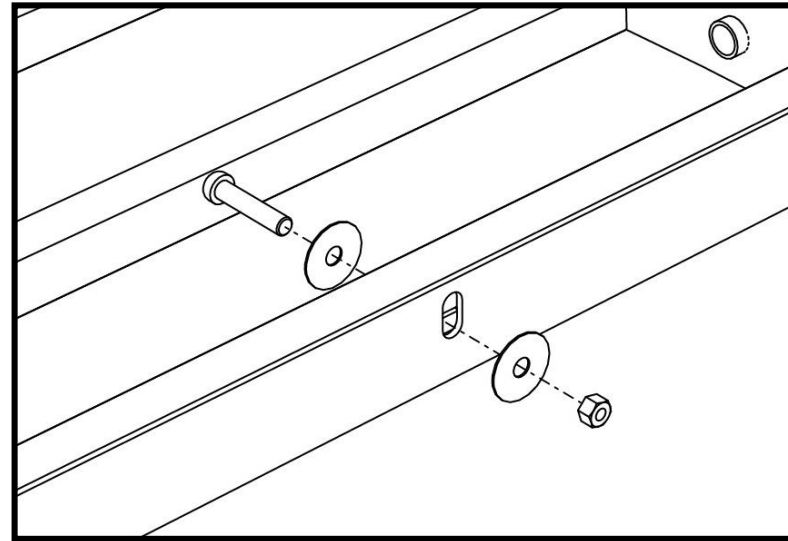
# TOE PIECE

## STEP 4

Use the 2" bolts to attach the toe piece to the launch ramp

Place a big washer onto the 2" bolt and insert it through the toe piece and tubing

Follow it with a big washer and a lock nut to tighten the toe piece to the launch ramp

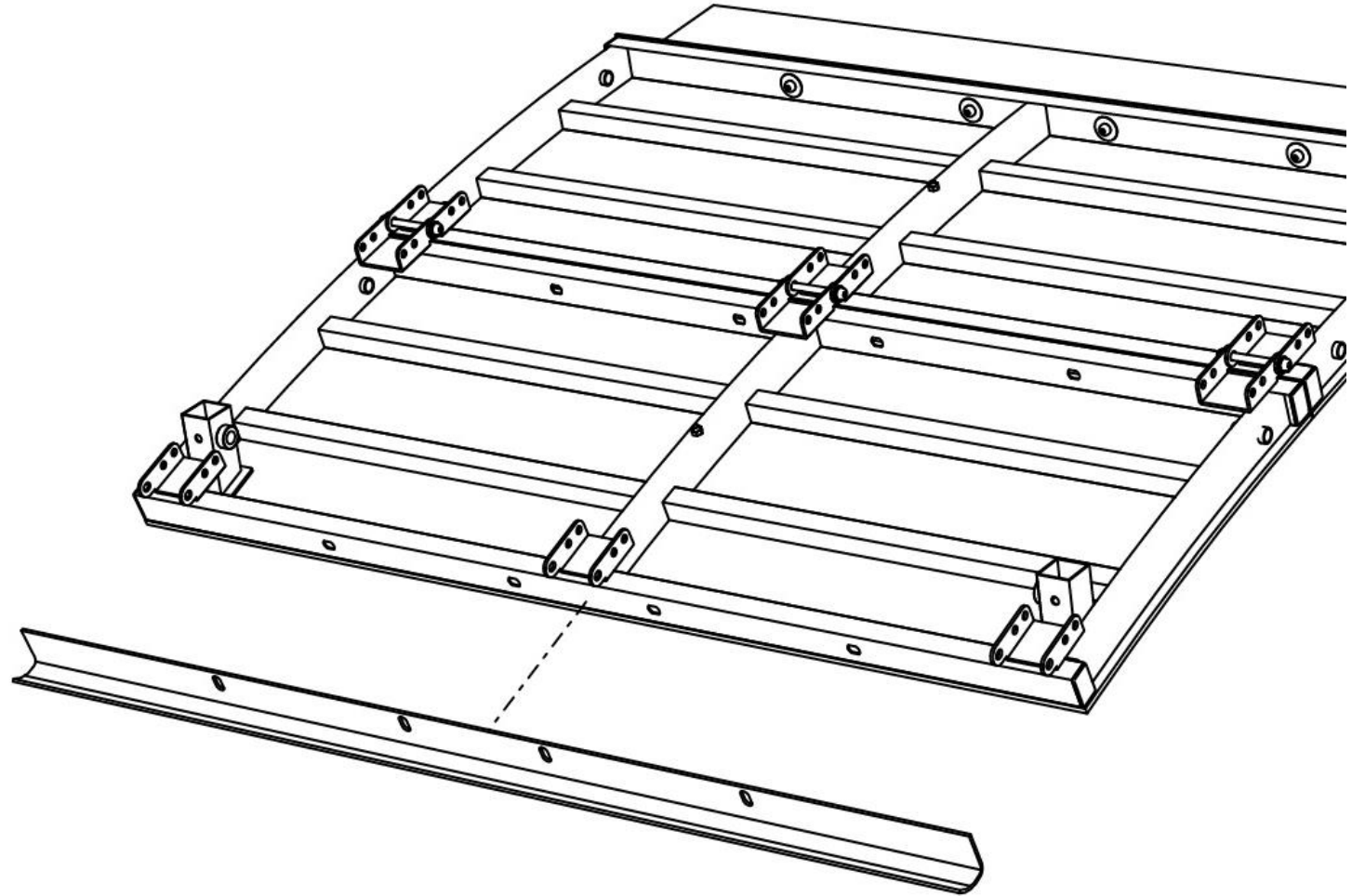


# COPING

## STEP 5

Place the coping on top panel of the launch ramp with the receivers

Align the 4 holes in the coping with the 4 holes in the tubing of the panel





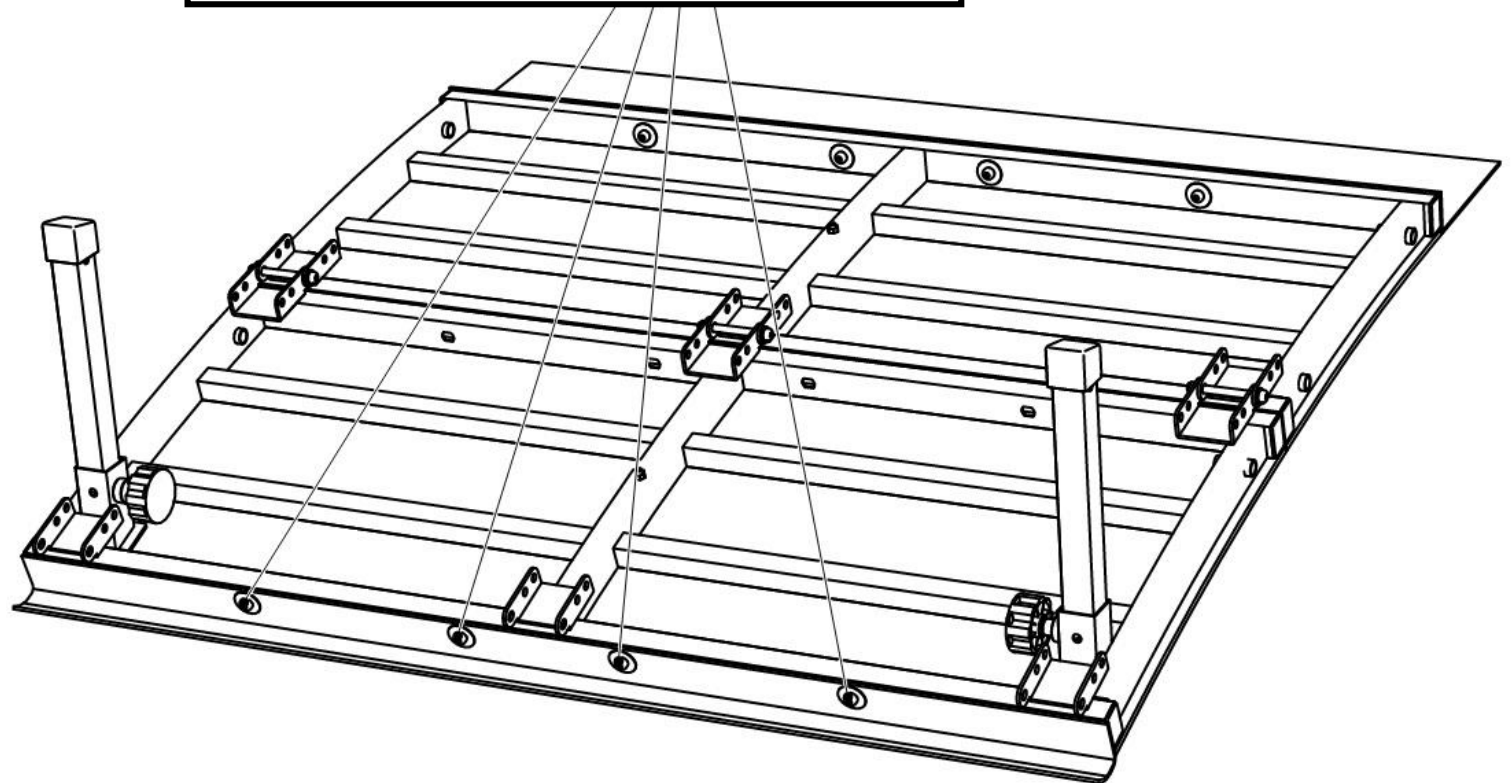
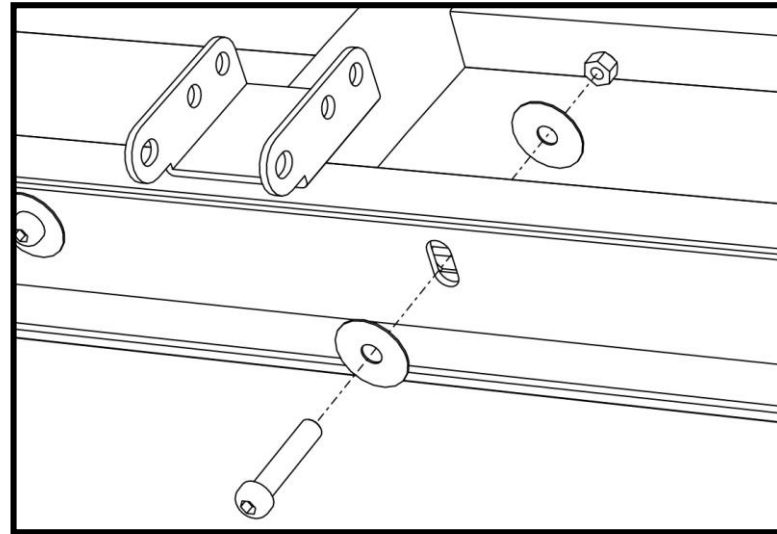
# COPING

## STEP 6

Use the 2" bolts to attach the coping to the launch ramp

Place a big washer onto the 2" bolt and insert it through the tubing and coping

Follow it with a big washer and a lock nut to tighten the coping to the launch ramp



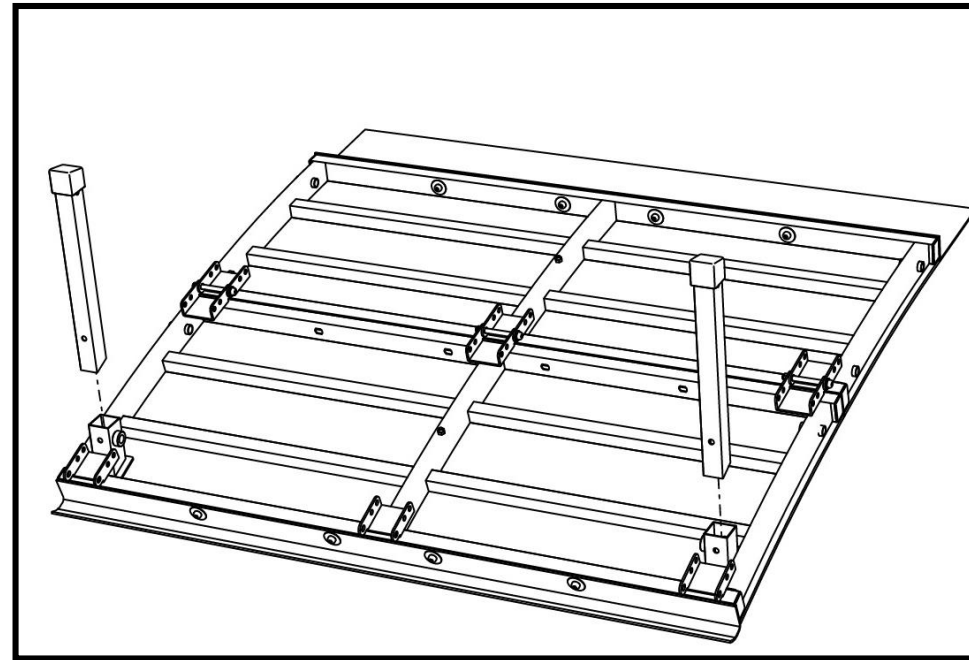
# INSERTING LEGS

## STEP 7

Insert the legs into receivers matching the angle of the legs with the ramp

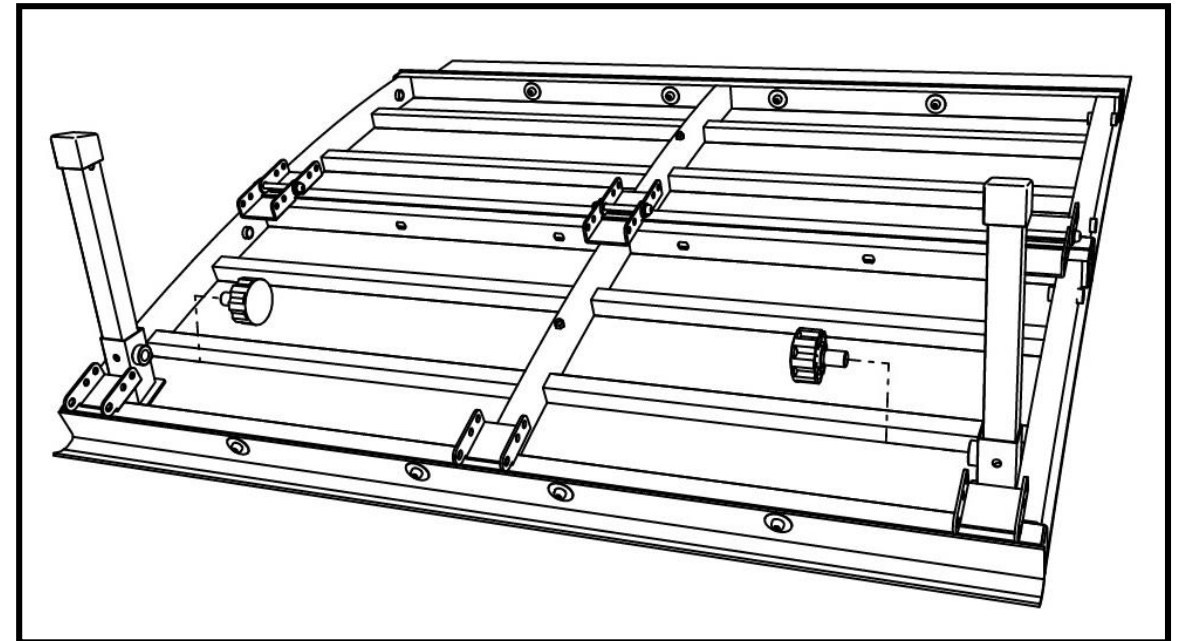
## STEP 8

Tighten the legs down with the two knobs by screwing them into the threads of the receivers

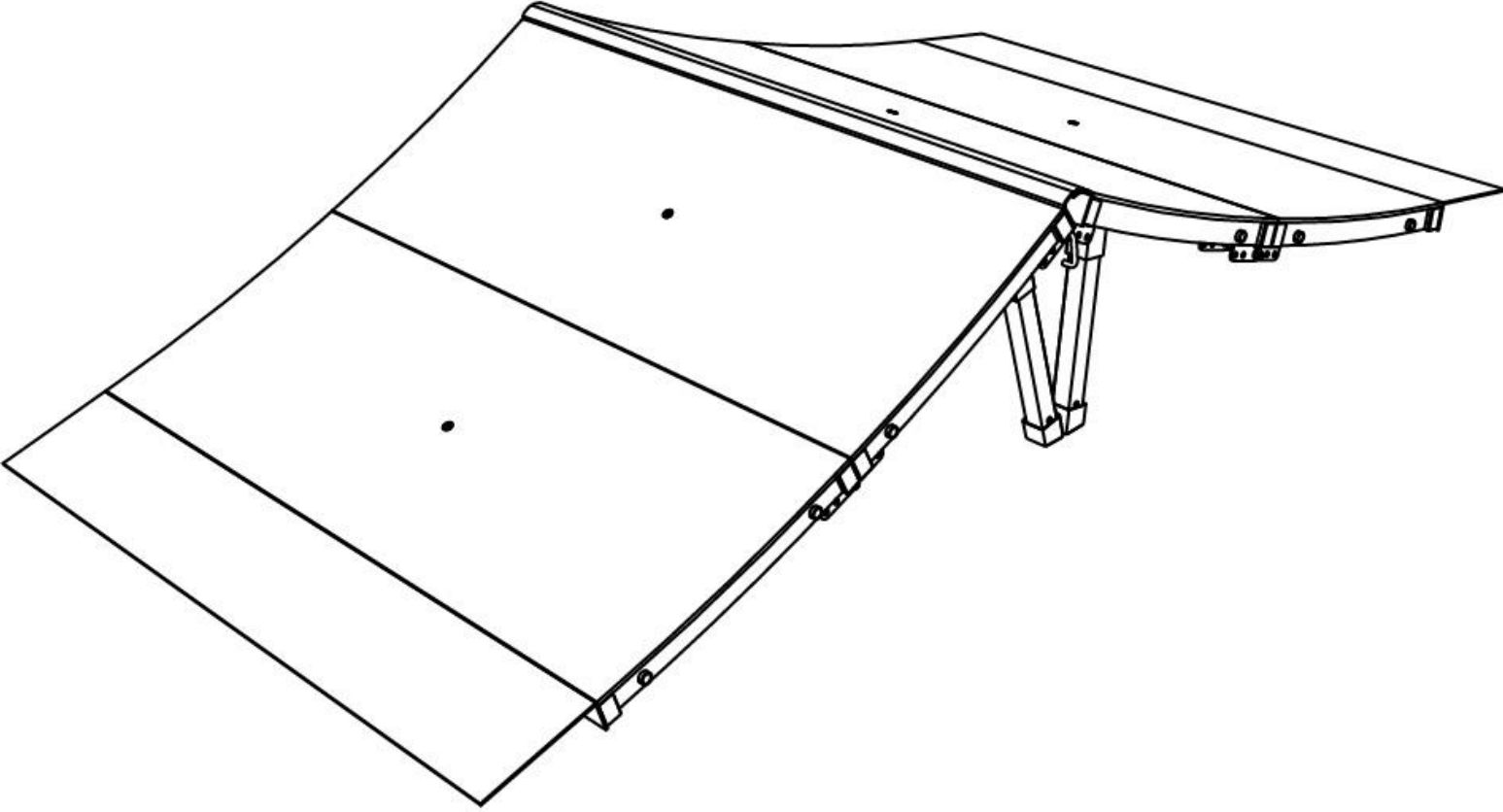


STEP 7

## STEP 8



# LAUNCH SPINE



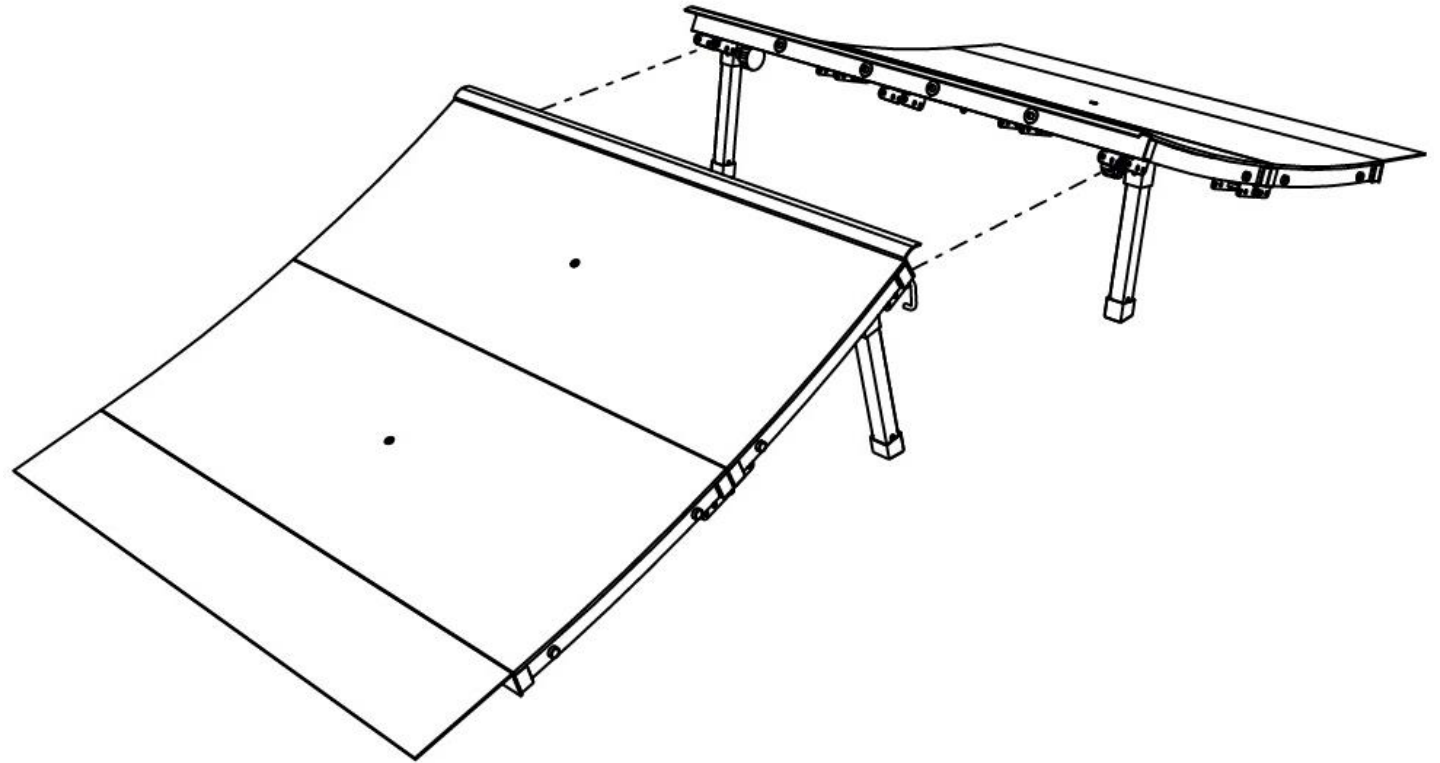
# ALIGNING RAMPS

## STEP 1

Align the two launch ramps facing each other as shown

Bring them together so the hinges on each side meet

Align the hinges so the sides of the ramp are flush with each other

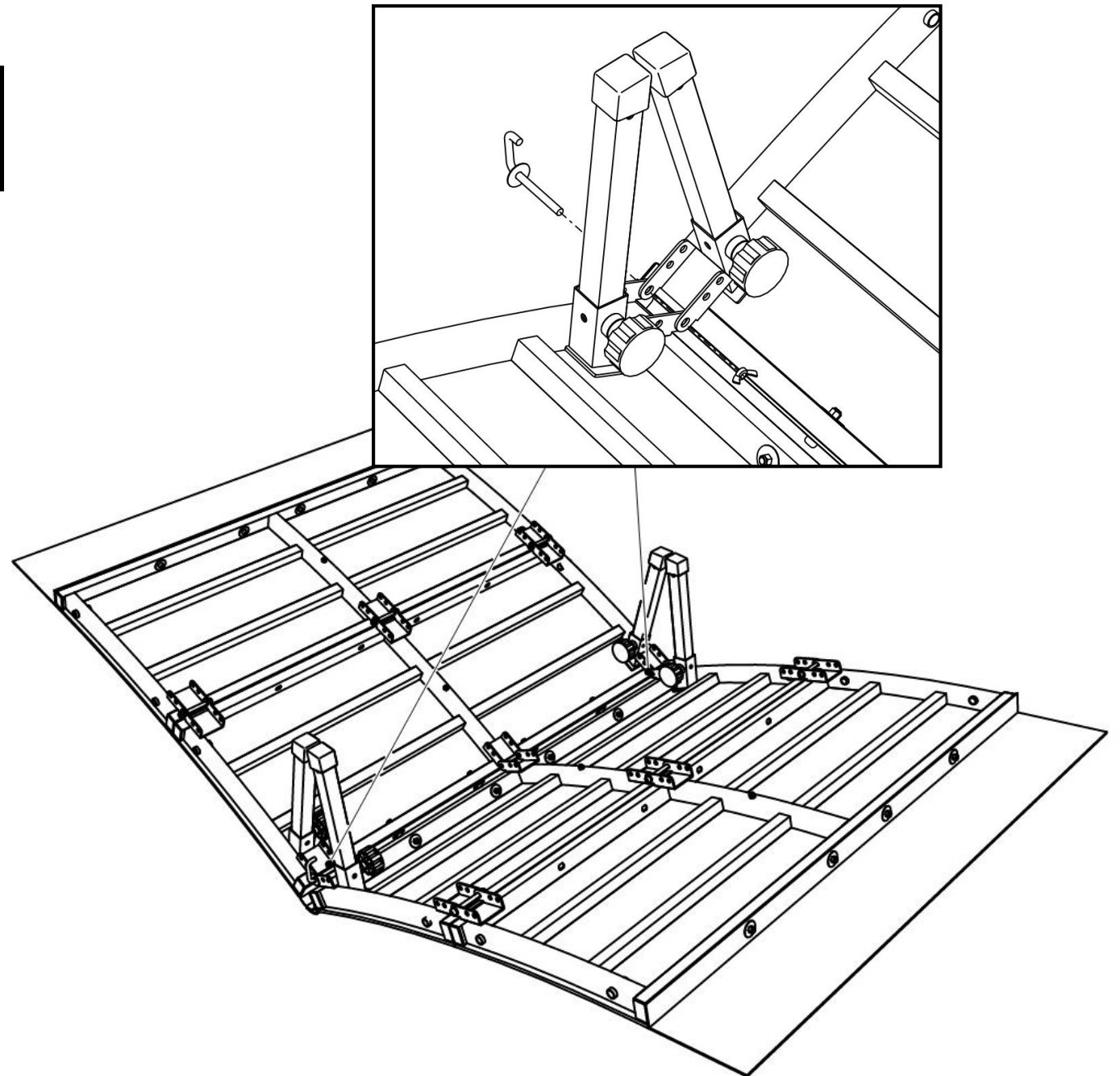


# BOLTING RAMPS

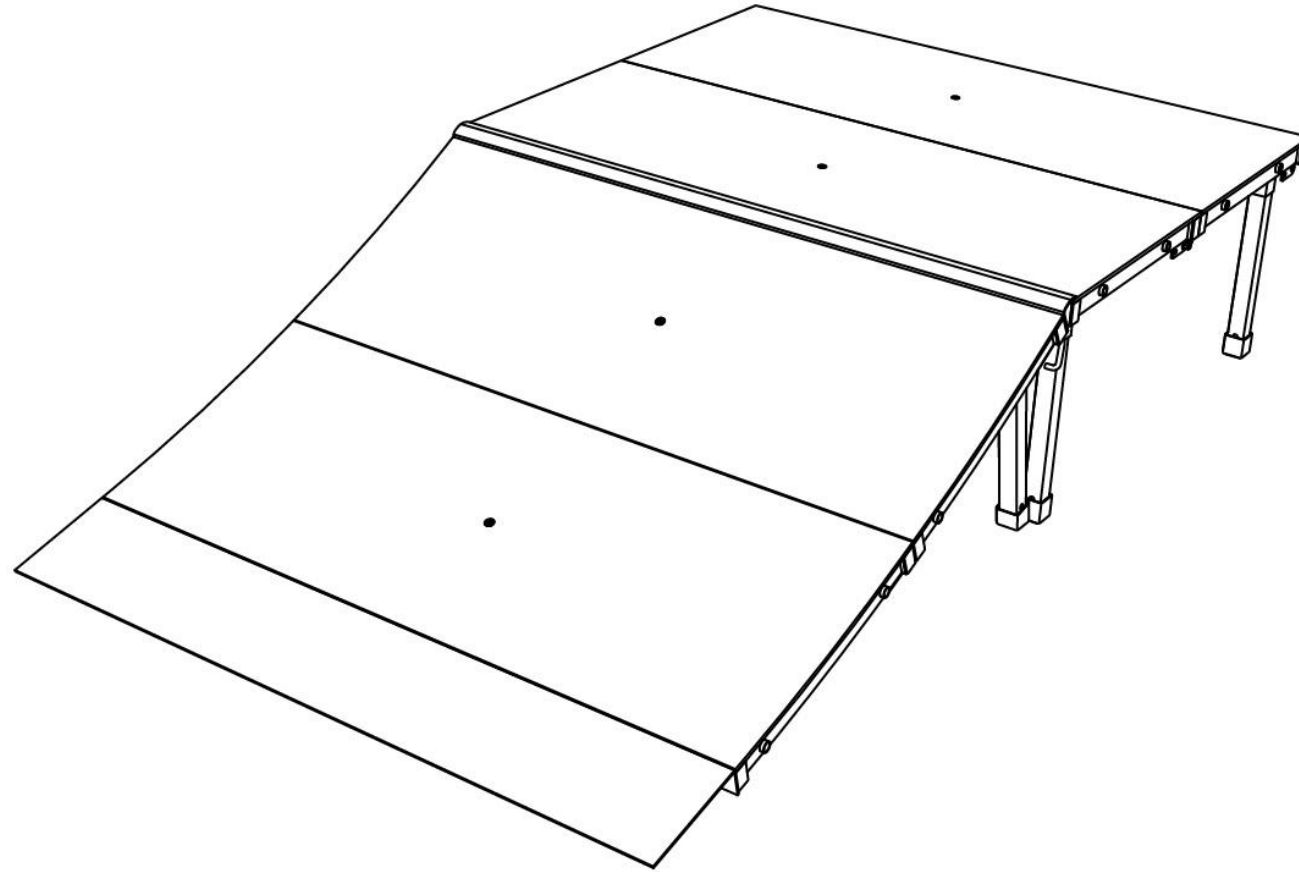
## STEP 2

Bolt the ramps together using J-bolts on both hinges

Place a big washer on a J-bolt and slide it through both hinges and use a wing nut on the other side to tighten the ramps together



# LINKING FUNBOX WITH LAUNCH RAMP



# ALIGNING RAMPS

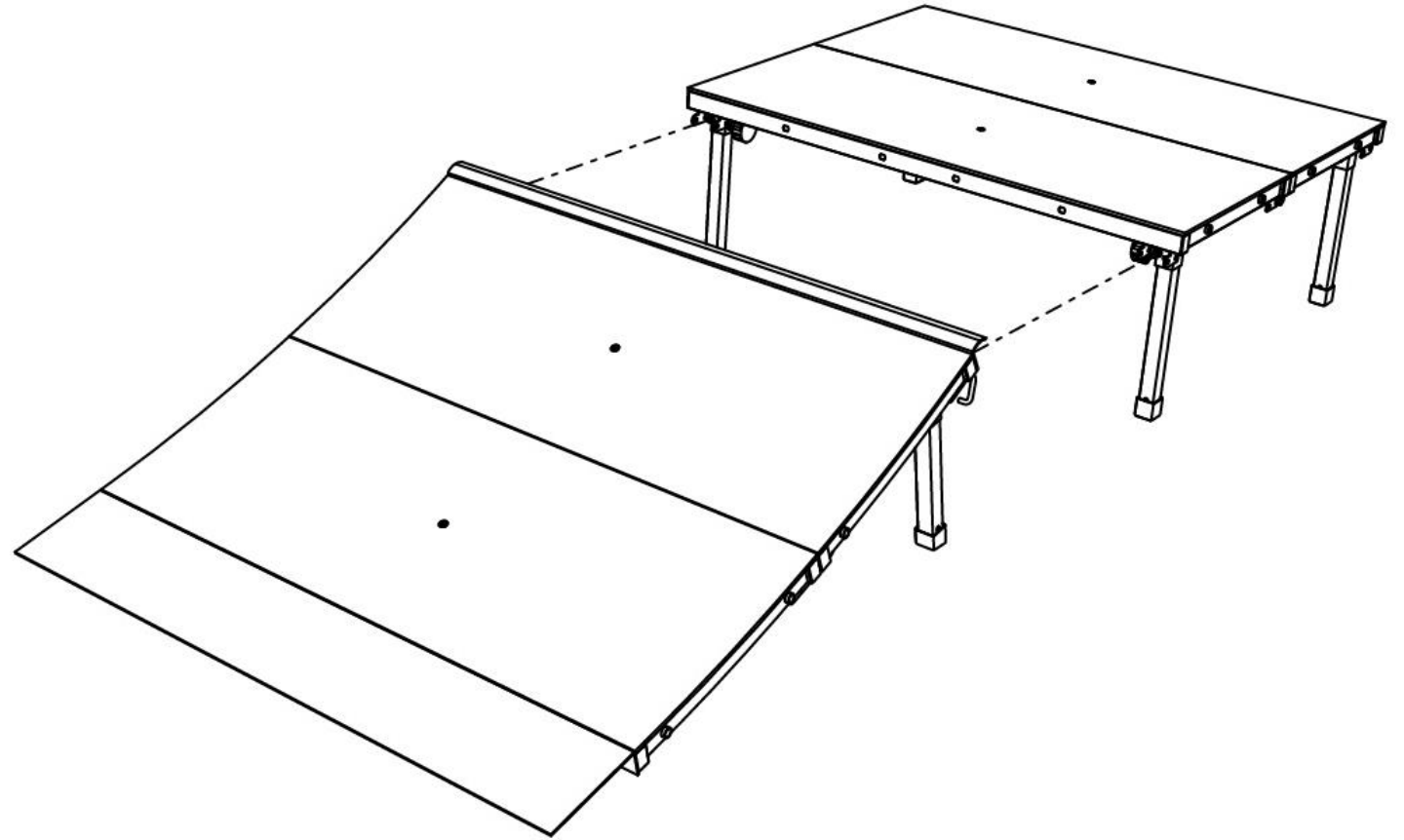
## STEP 1

Align the two ramps together so the hinges are facing each other

Bring them together so the hinges on each side meet

Align the hinges so the sides of the ramp are flush with each other

Place the coping of the launch ramp onto the coping of the funbox or align the launch ramps coping so it is flush with the top of the funbox

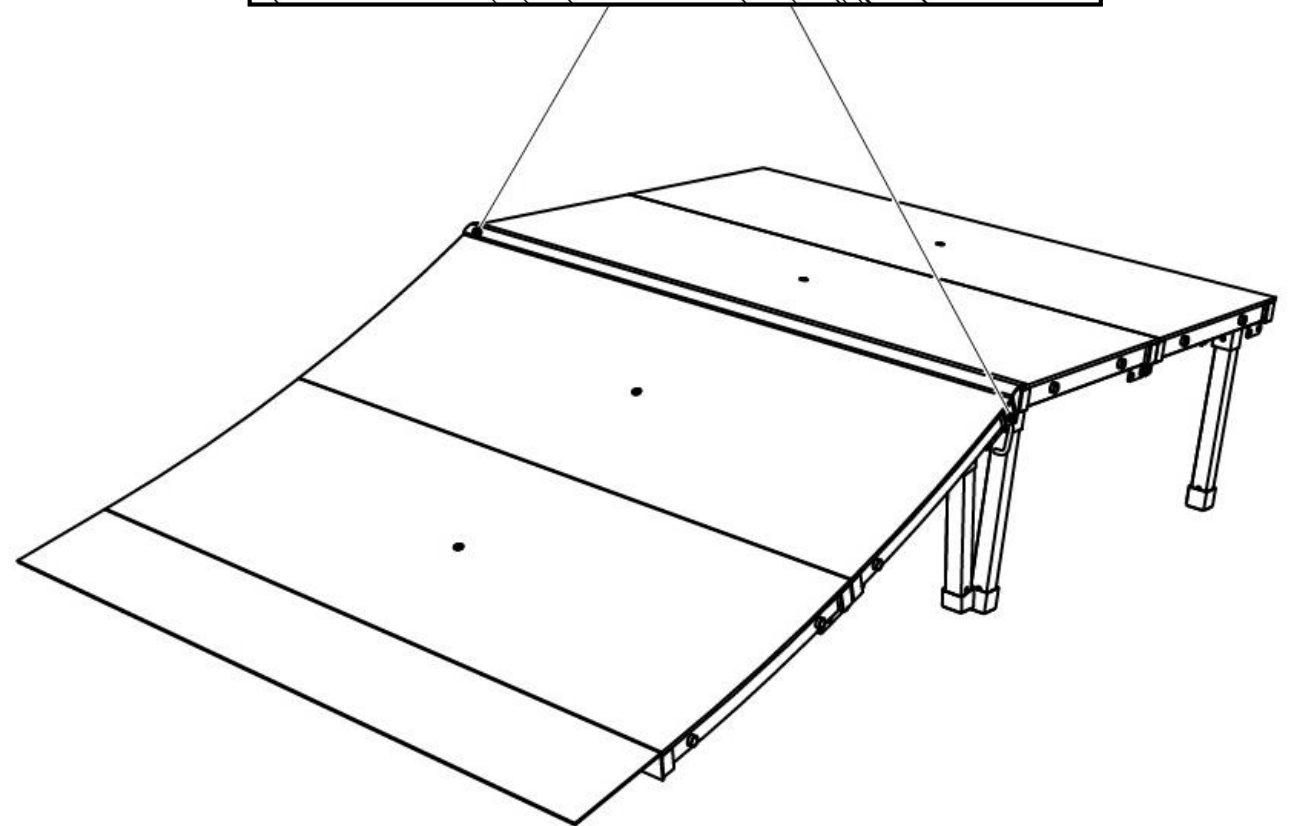
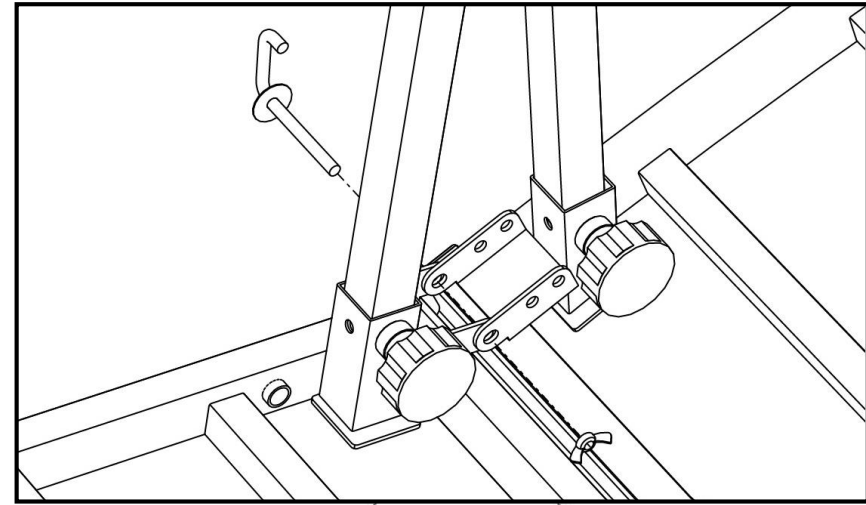


# BOLTING RAMPS

## STEP 2

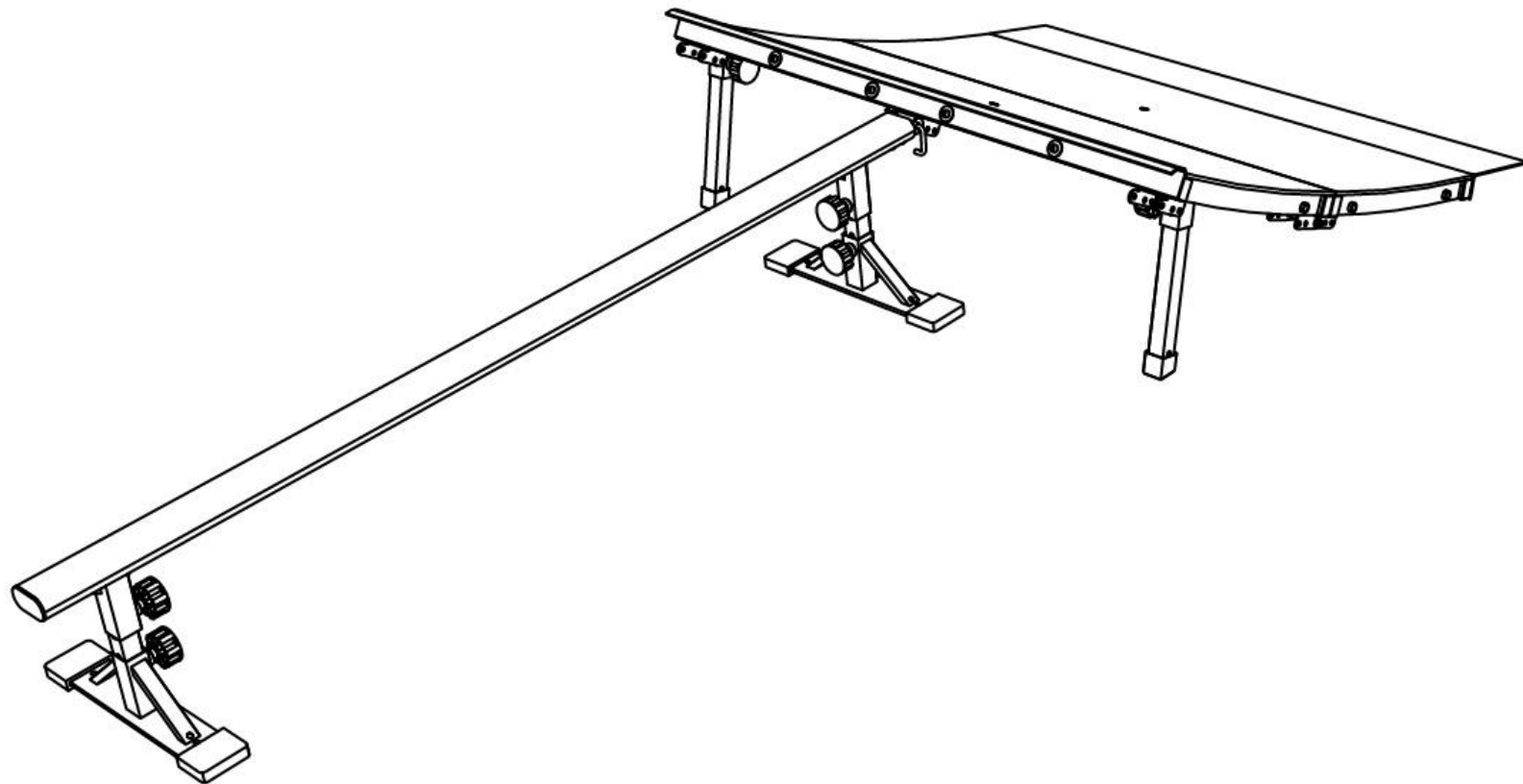
Bolt the ramps together using J-bolts on both hinges

Place a big washer on a J-bolt and slide it through both hinges and use a wing nut on the other side to tighten the ramps together





# LINKING GRIND RAIL WITH LAUNCH RAMP



# ATTATCHING HINGE

## STEP 1

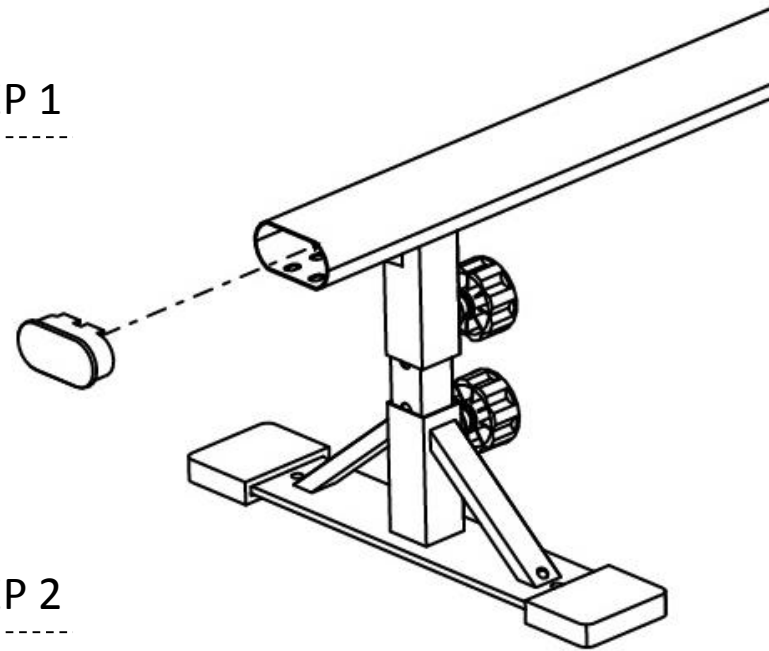
Take an end cap off of each grind rail to expose the holes

## Step 2

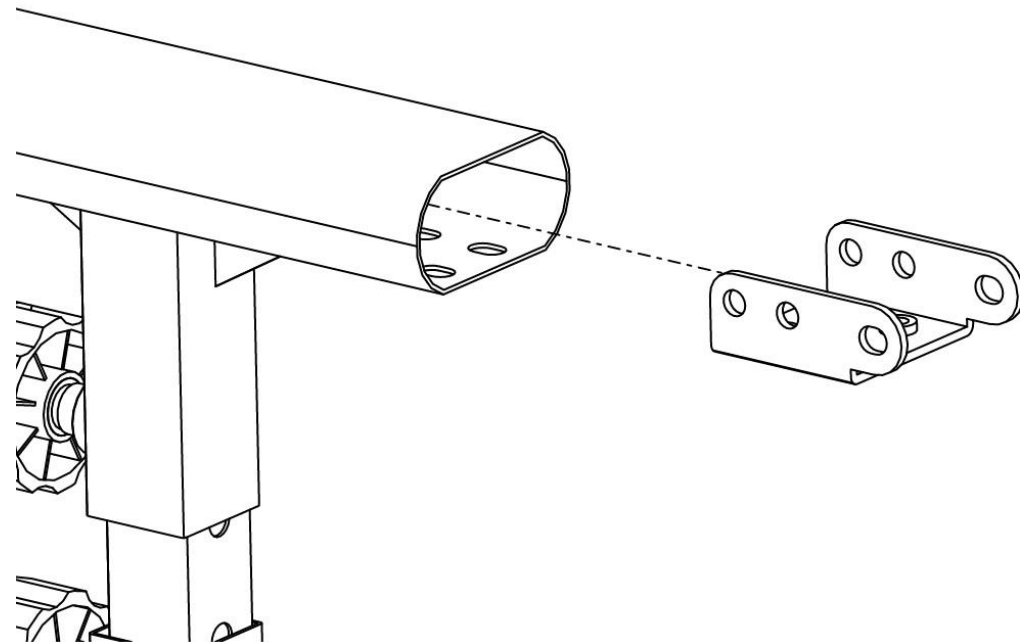
Insert the hinge into one of the grind rails

Align the first 2 holes in the hinge with the first 2 holes in the rail

## STEP 1



## STEP 2

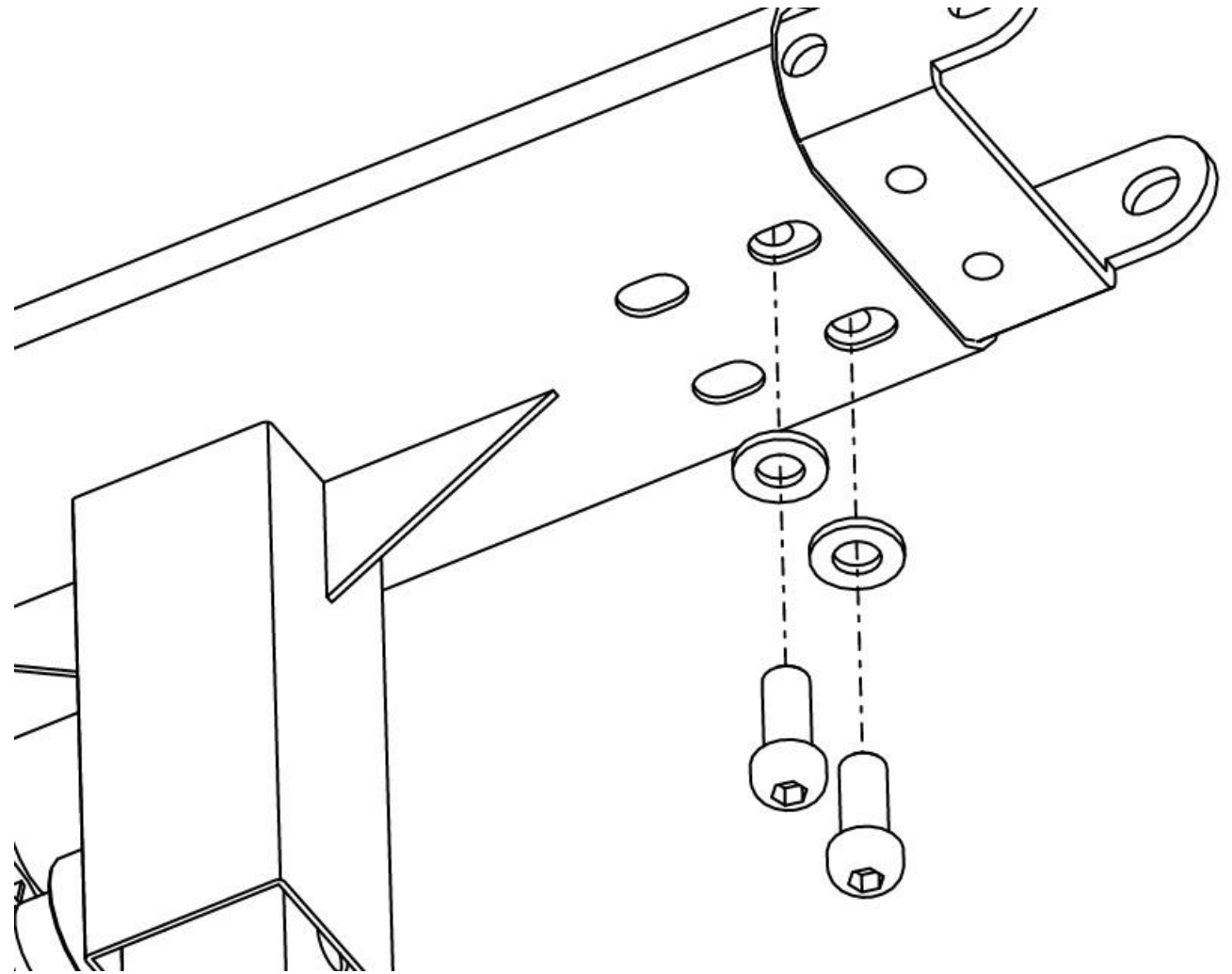


# BOLTING HINGE

## STEP 3

Bolt the hinge onto the rail at the first two holes with the washers and bolts provided

Place a washer on each bolt and screw each one into the threads of the hinge



# ALIGNING PIECES

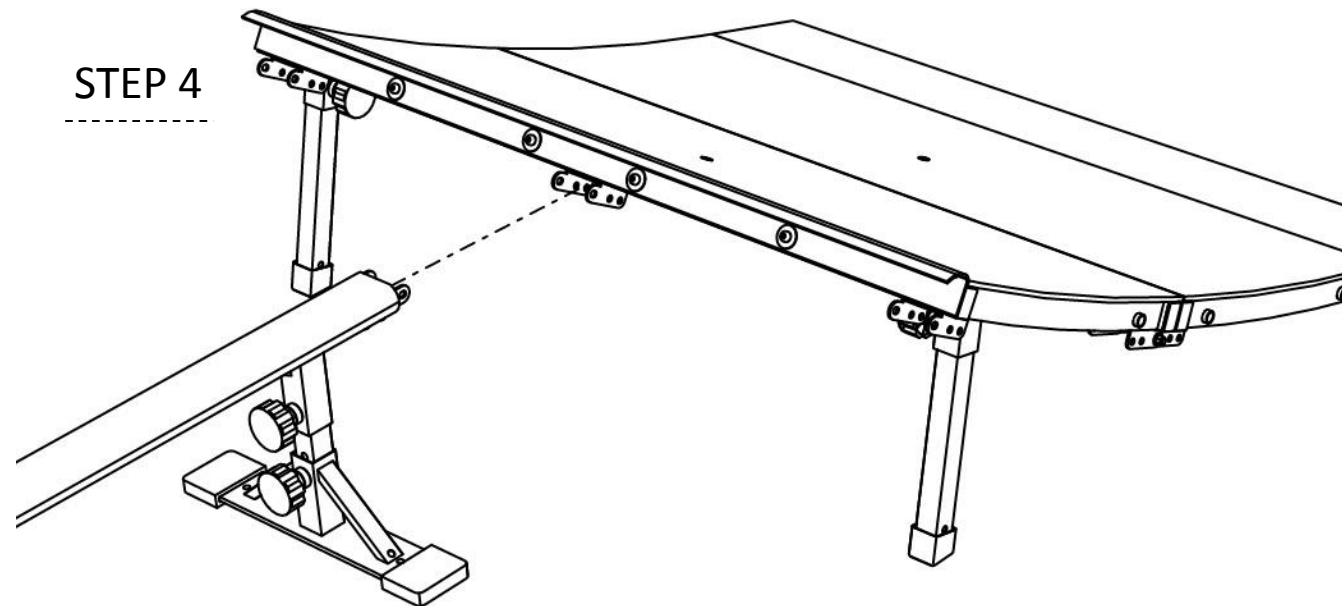
## STEP 4

Align the hinges together so the holes meet each other

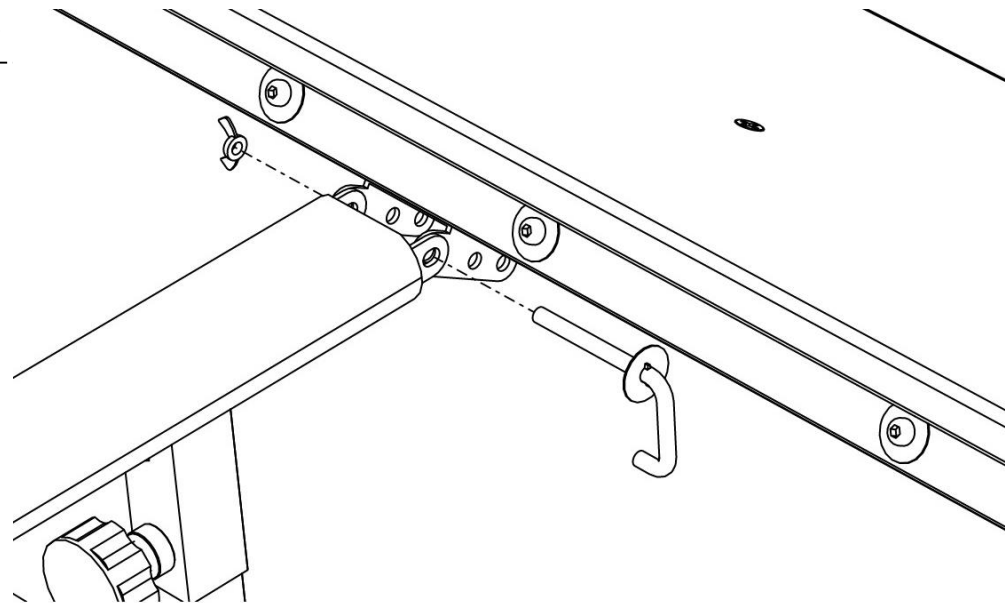
Attach the grind rail to any hinge on the launch ramp

## STEP 5

Place a big washer on a J-bolt and slide it through both hinges and follow it with a wing nut on the other side to tighten it to the launch ramp

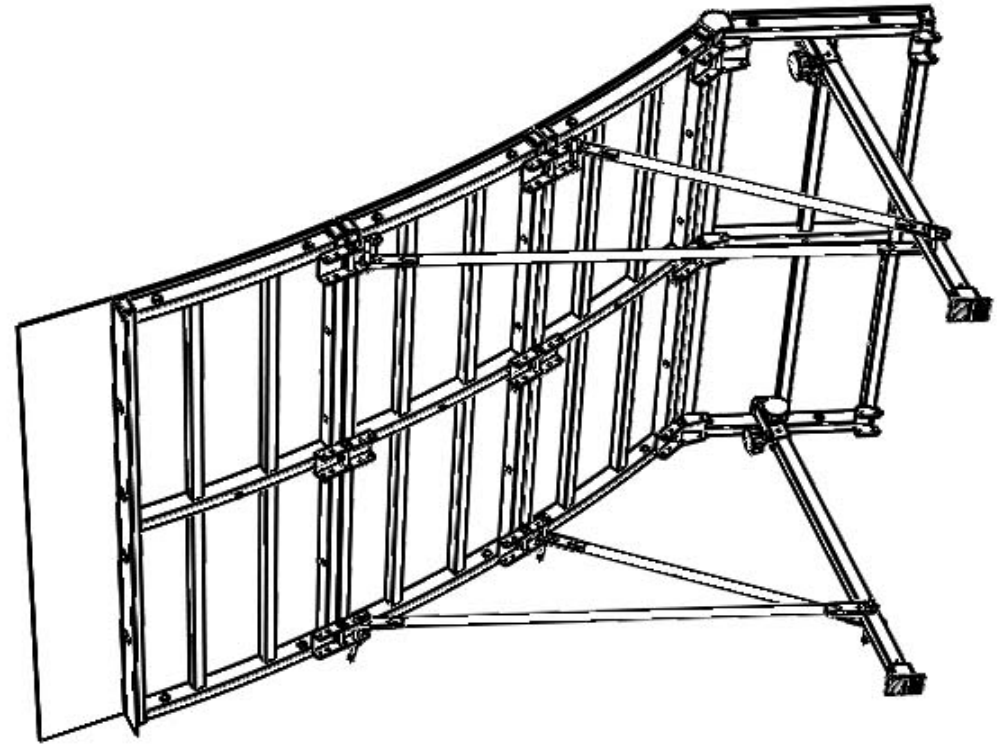
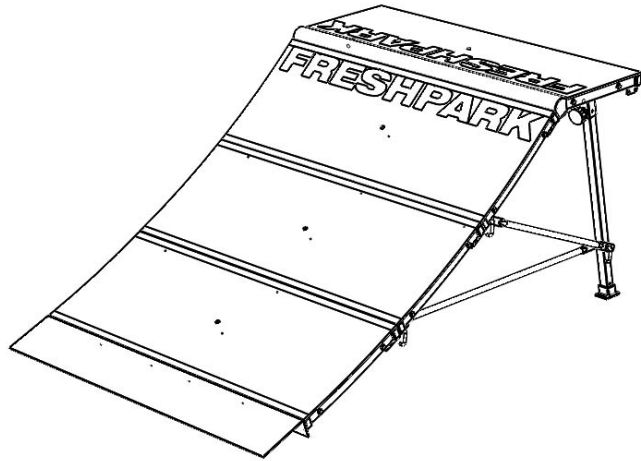


STEP 5



# Folding **FRESHPARK** Ramps

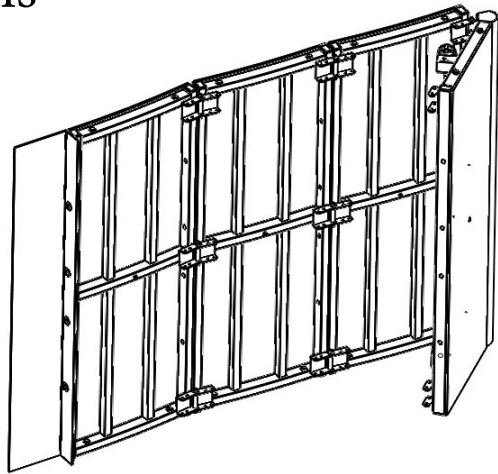
Step 1:  
Lay the ramp onto its side (team  
of 2 recommended)



# Folding **FRESHPARK** Ramps

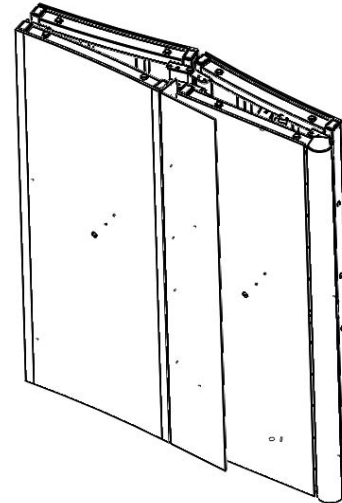
Step 2:

Remove all support bars and legs and carefully fold the panels



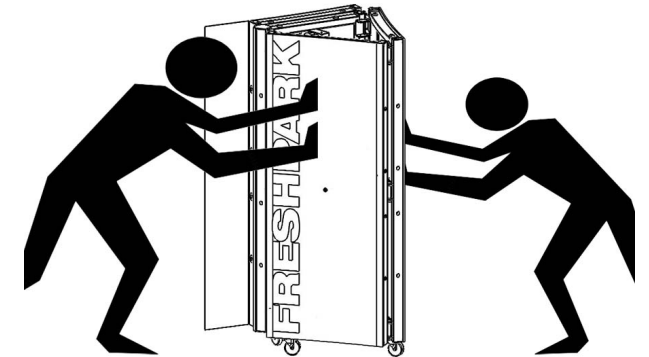
Step 3:

Fold into a desired configuration for easy storage



**Warning**

When transporting, never carry or push the ramp by yourself



*Caution: To reduce the risk of injuries to hands and fingers, never insert your hands or fingers in between the panels or any folding joints.*