

# CONTENTS PAGE

2 - Parts List

3 – Grind rail

7 - Linking grind rails together

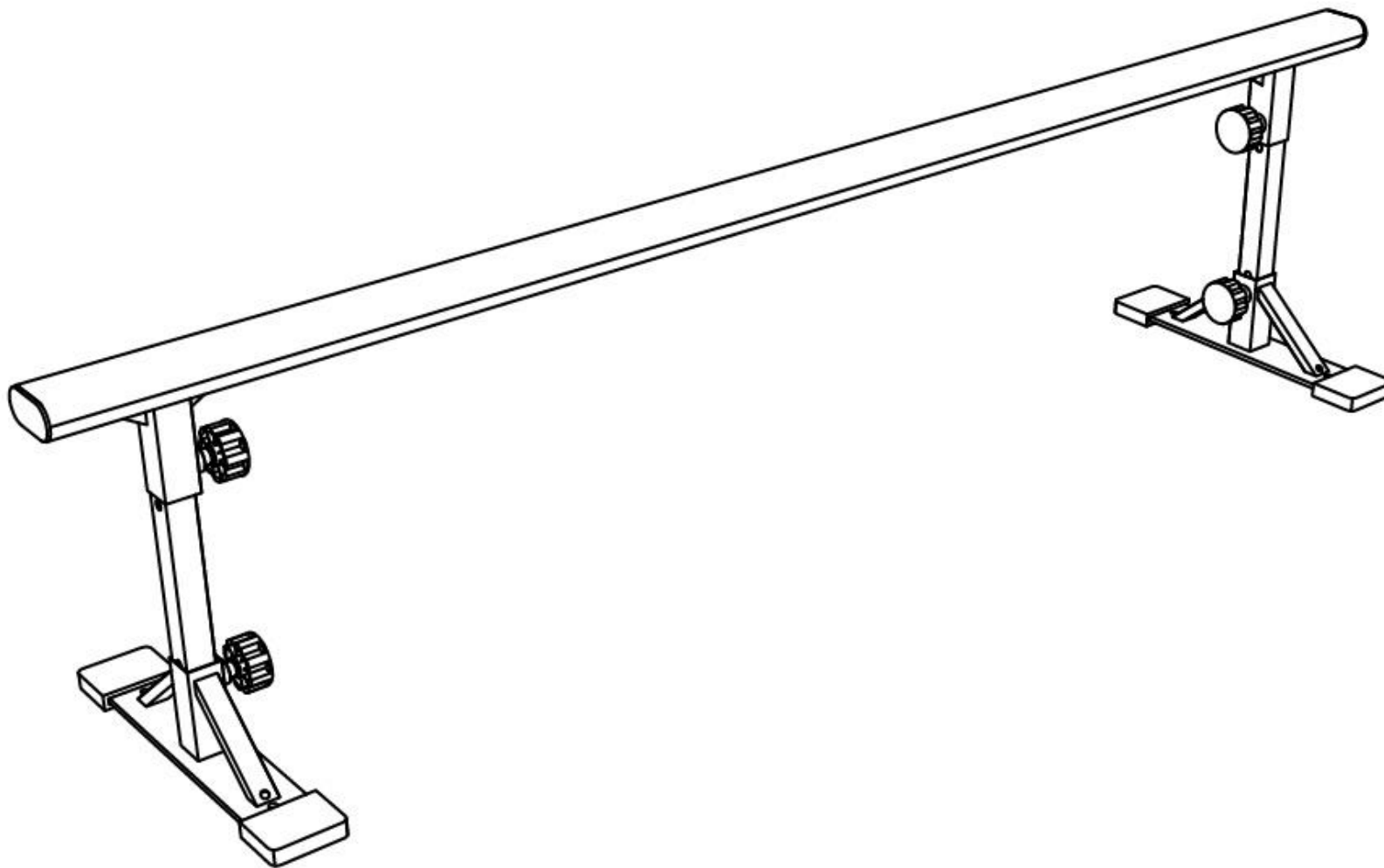
11 - Linking with funbox

15 - Linking with launch ramp

# PARTS LIST

- 1 - Rail
- 2 - Short legs
- 2 - Long legs
- 2 - Feet
- 1 - 3" bolt
- 8 - 1" bolts
- 10 - Small washers
- 1 - Lock nut
- 4 - Knobs

# GRIND RAIL INSTRUCTIONS



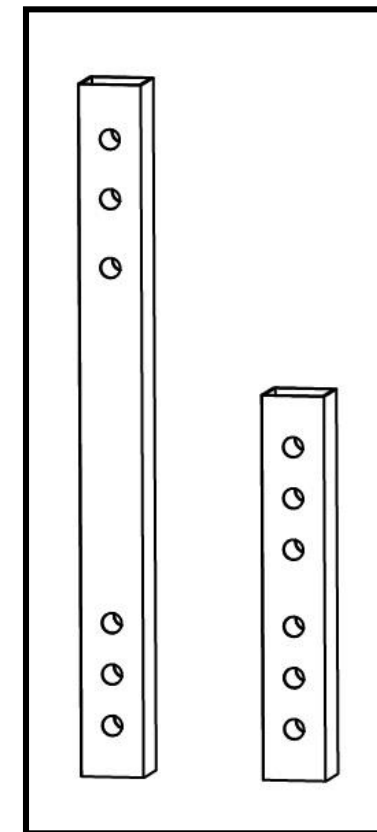
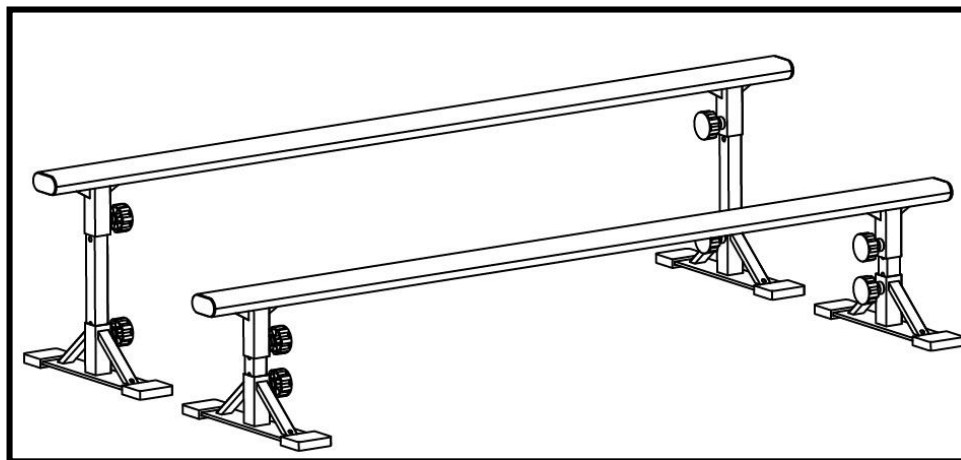
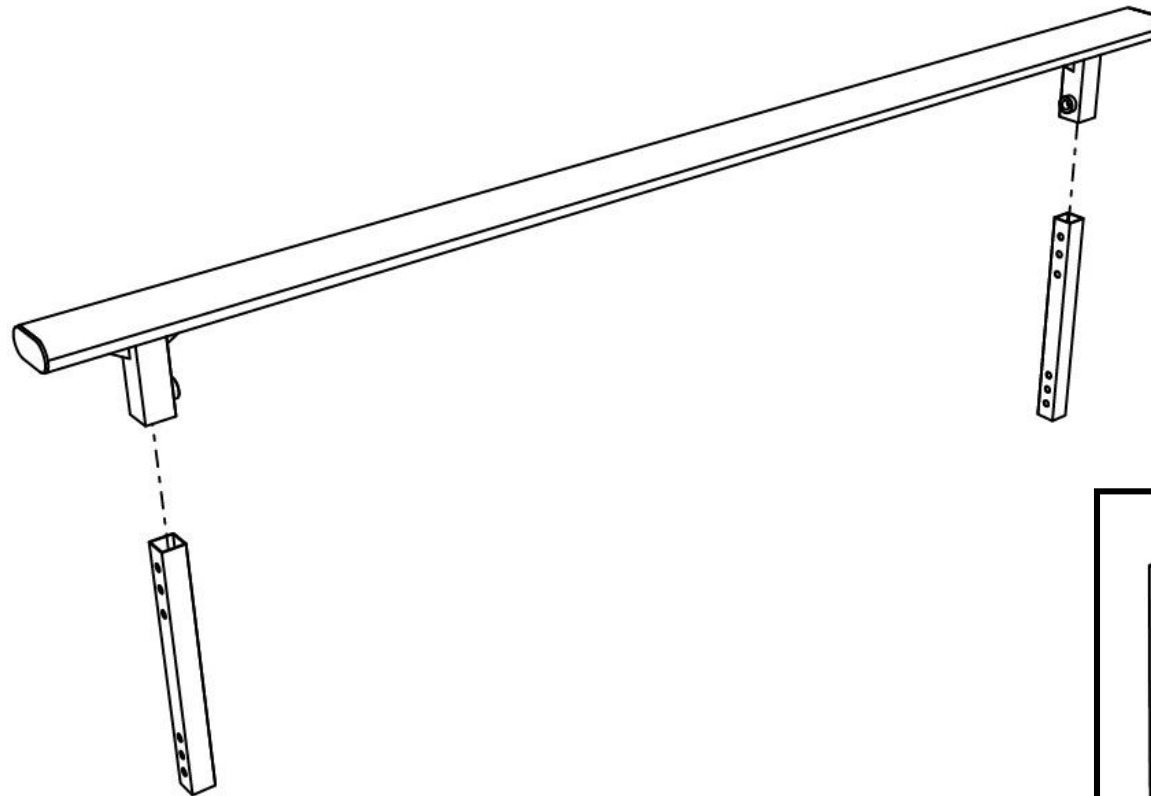
# INSERTING LEGS

## STEP 1

Insert the desired height leg into the receivers of the rail

There are 2 sized legs 8" and 14" high

There are multiple holes on each leg to adjust the height of the rail depending on the skill set and preference of the rider

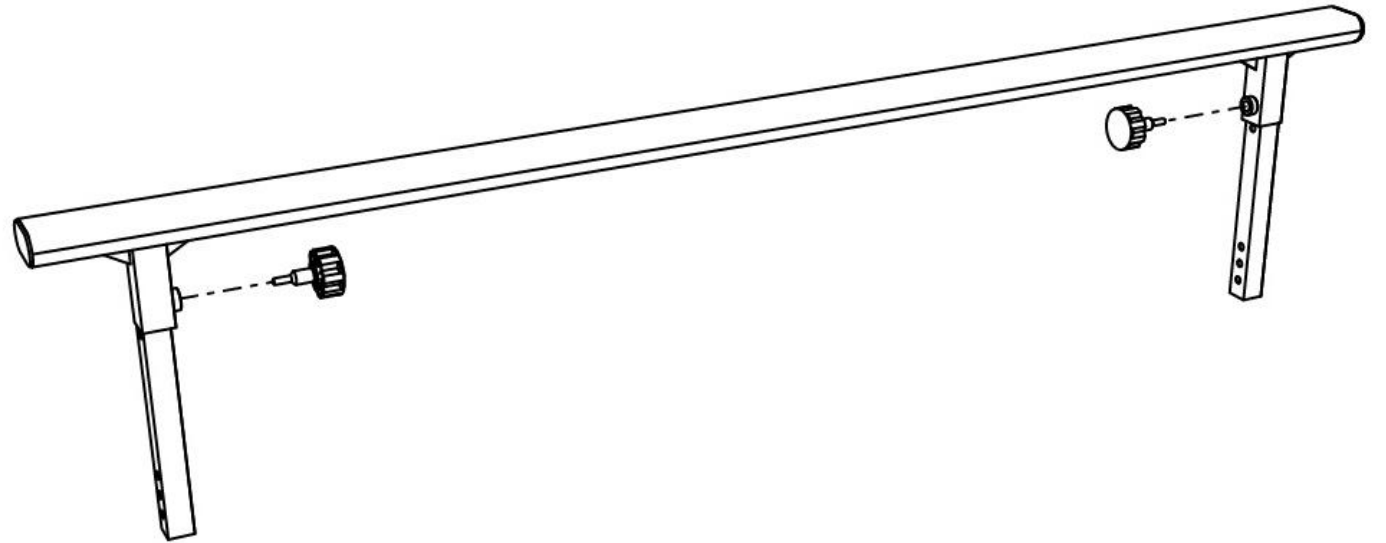


# SECURING LEGS

## STEP 2

Use the knobs provided to secure the legs into place

Insert the knob through the hole in the leg and screw the knob in until it is tight



# INSERTING FEET

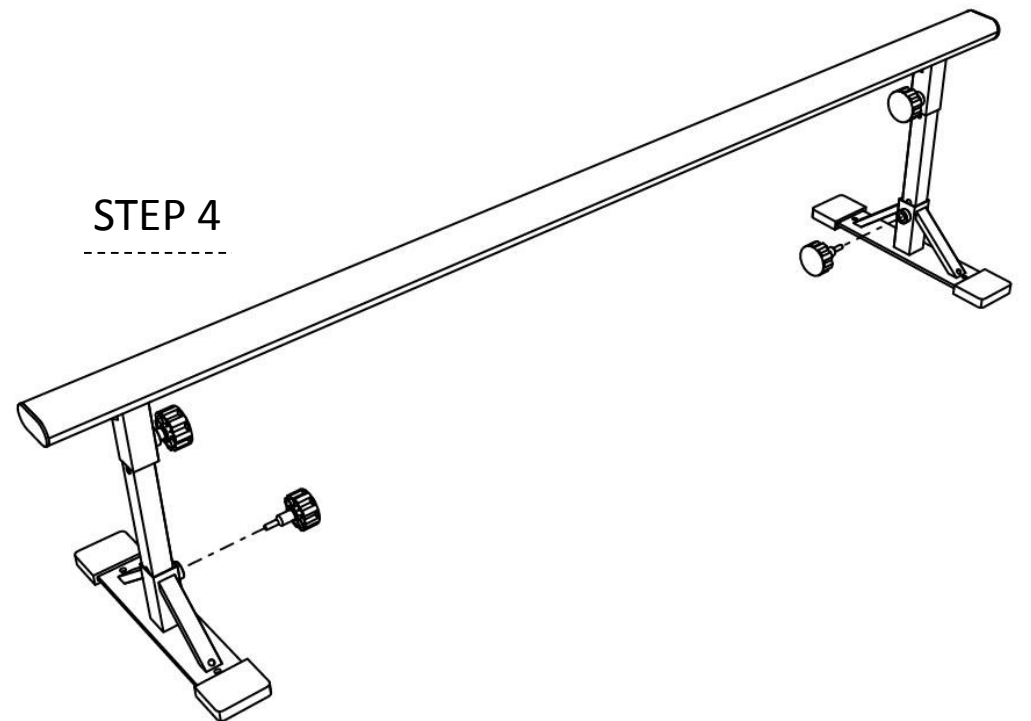
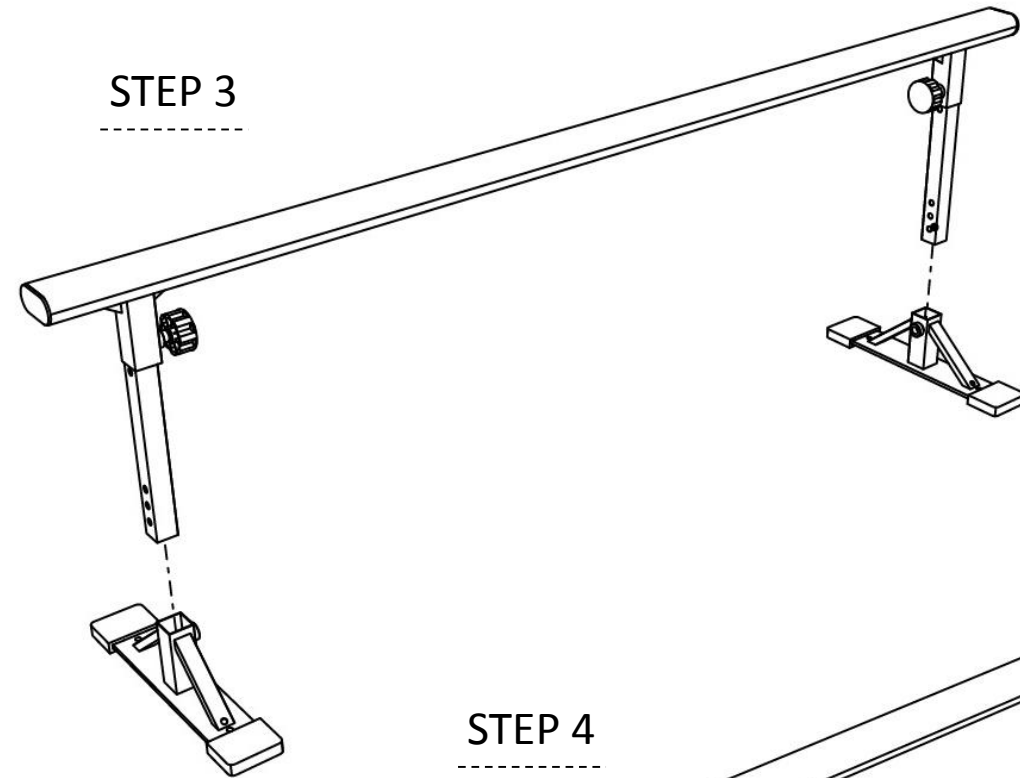
## STEP 3

Insert the feet onto the legs of the rail

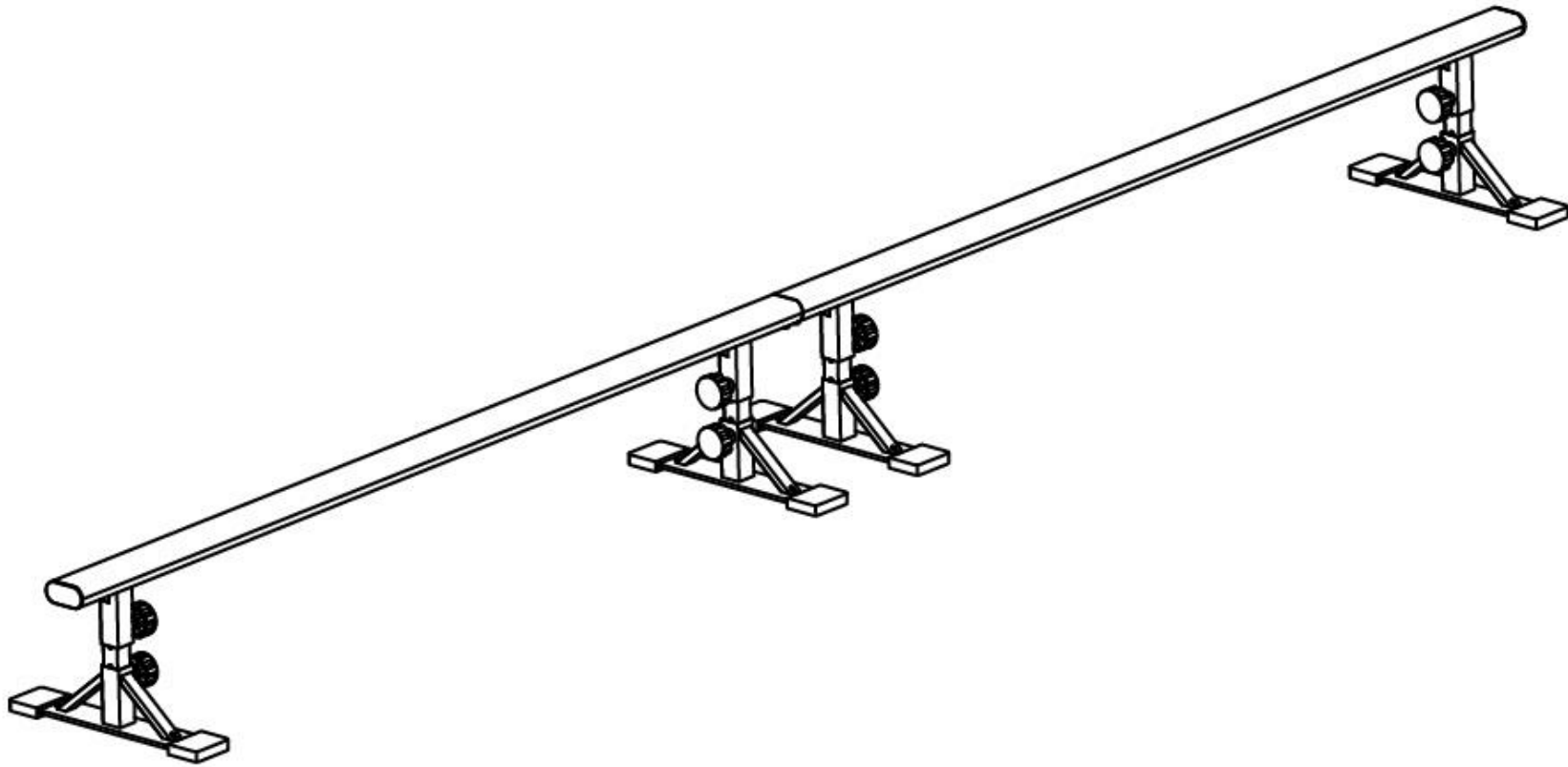
## STEP 4

Use the knobs provided to secure the feet into place

Insert the knob through the hole in the leg and screw the knob in until it is tight



# LINKING GRIND RAILS



# ATTATCHING HINGE

## STEP 1

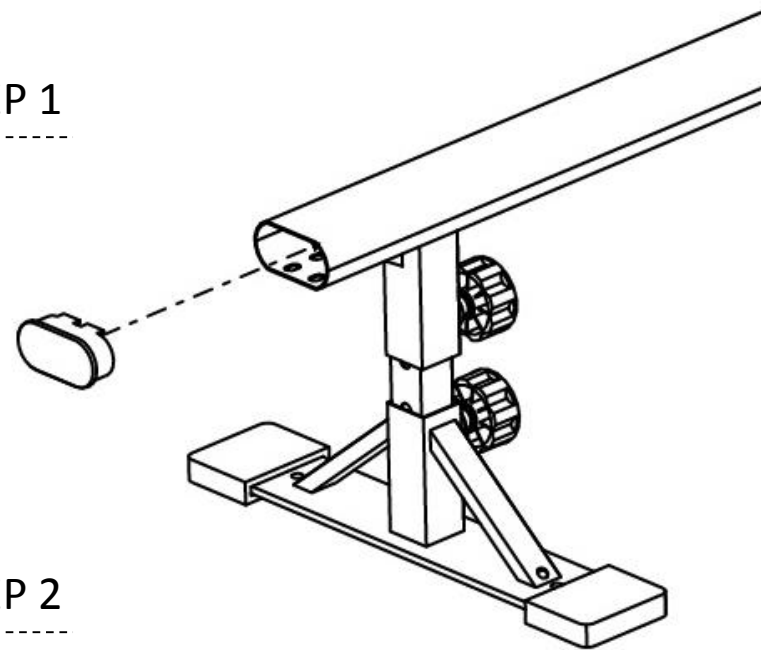
Take off an end cap off of each grind rail to expose the holes

## Step 2

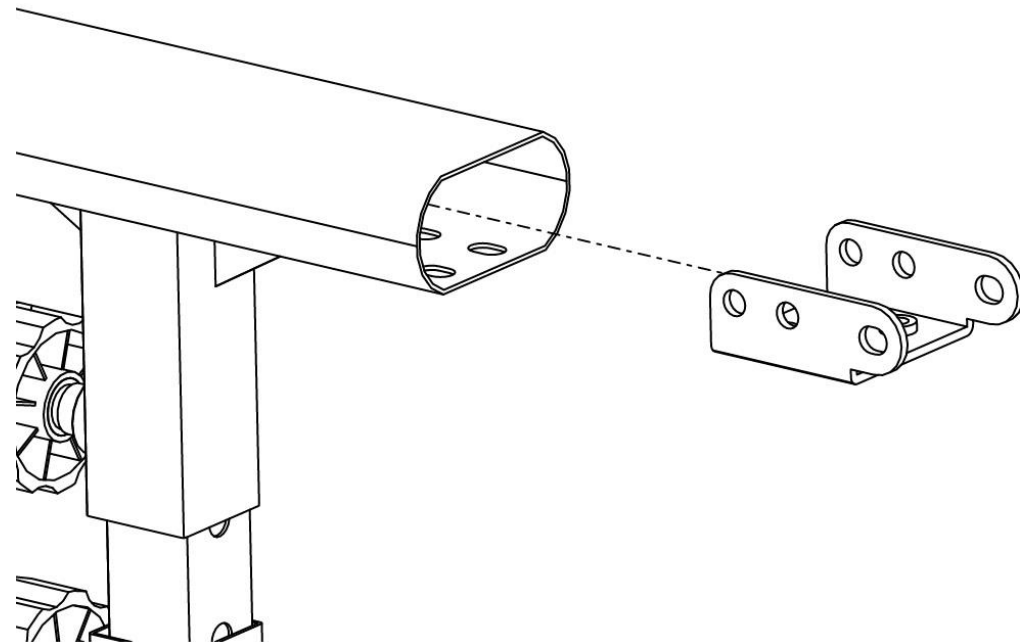
Insert the hinge into one of the grind rails

Align the first 2 holes in the hinge with the first 2 holes in the rail

## STEP 1



## STEP 2





# BOLTING HINGE

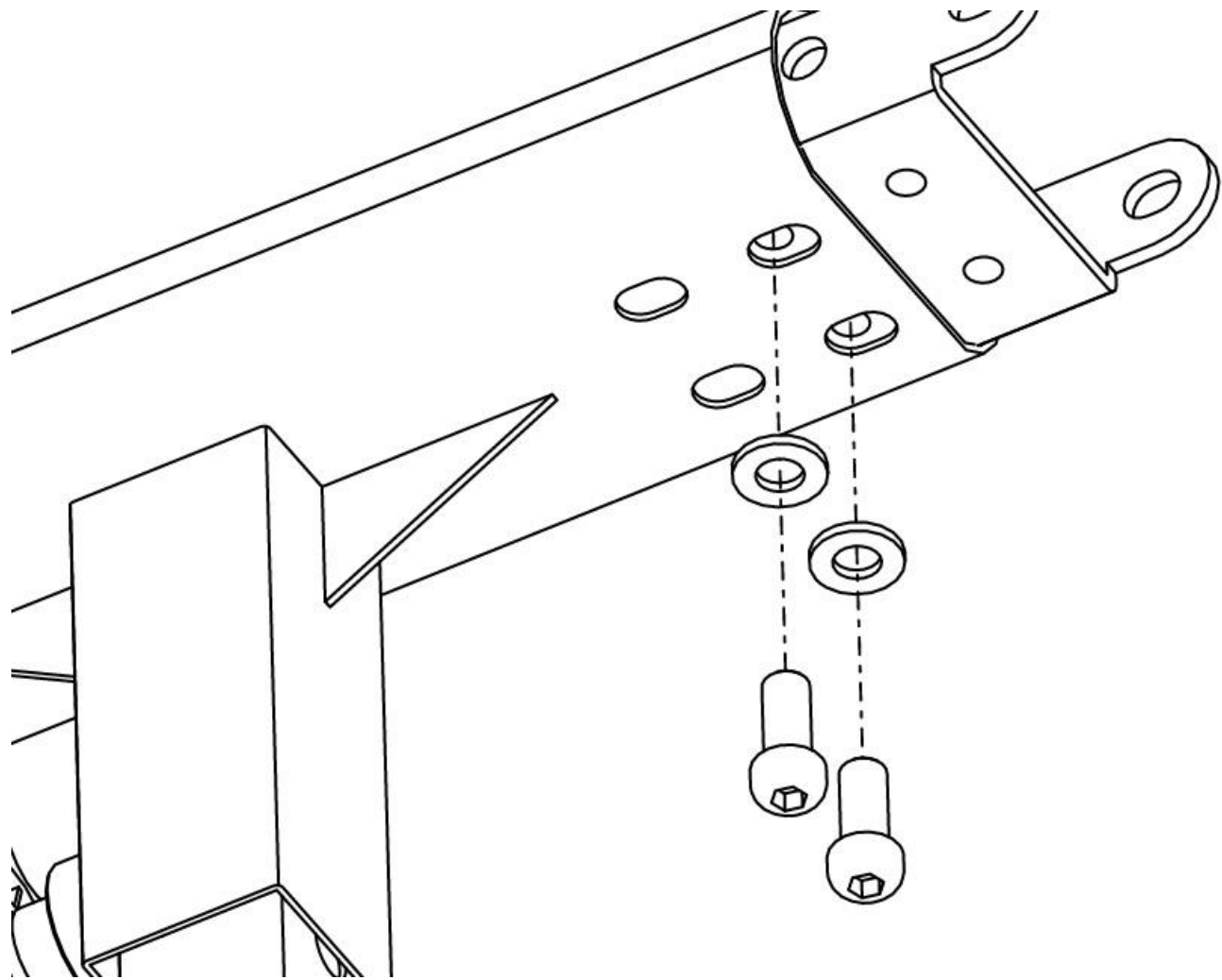
## STEP 3

Bolt the hinge onto the rail at the first two holes with the washers and bolts provided

Place a washer on each bolt and screw each one into the threads of the hinge

### Caution

Leave the bolts a little loose in case you have to adjust the gap in between the 2 rails when you are done



# BOLTING RAILS

## STEP 4

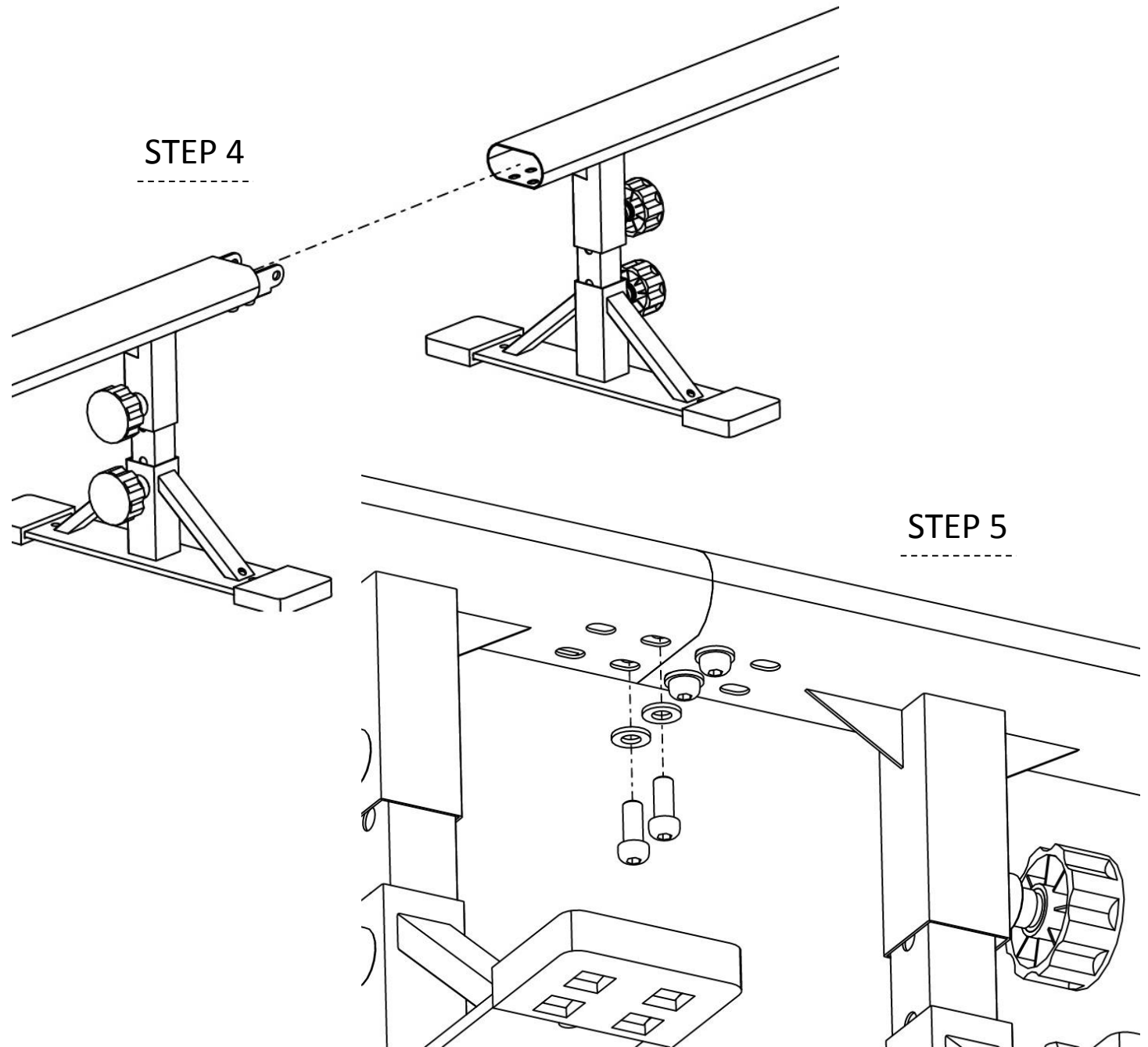
Bring the 2 rails together so the hinge is inserted into the other

Align the other 2 left over holes of the hinge with the first two holes of the rail

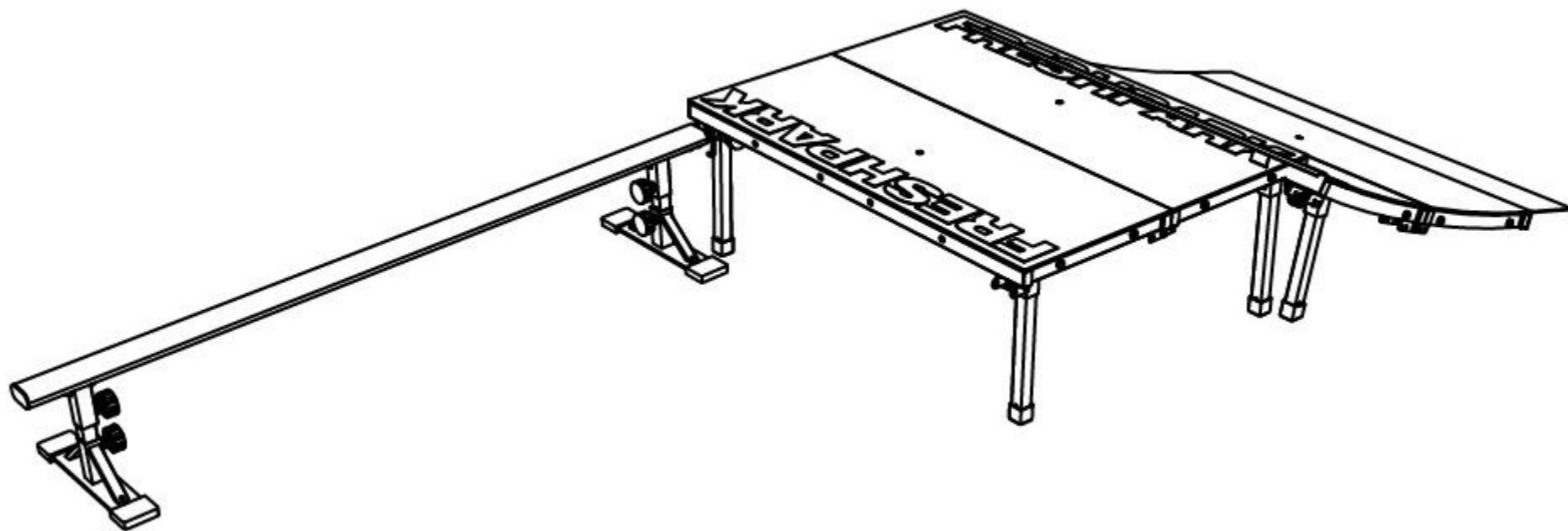
## STEP 5

Place a small washer onto each bolt and screw them into the 2 left over holes in the hinge

Bring the 2 rails together so they are flush and tighten all of the bolts



# LINKING GRIND RAIL WITH FUNBOX



# ATTATCHING HINGE

## STEP 1

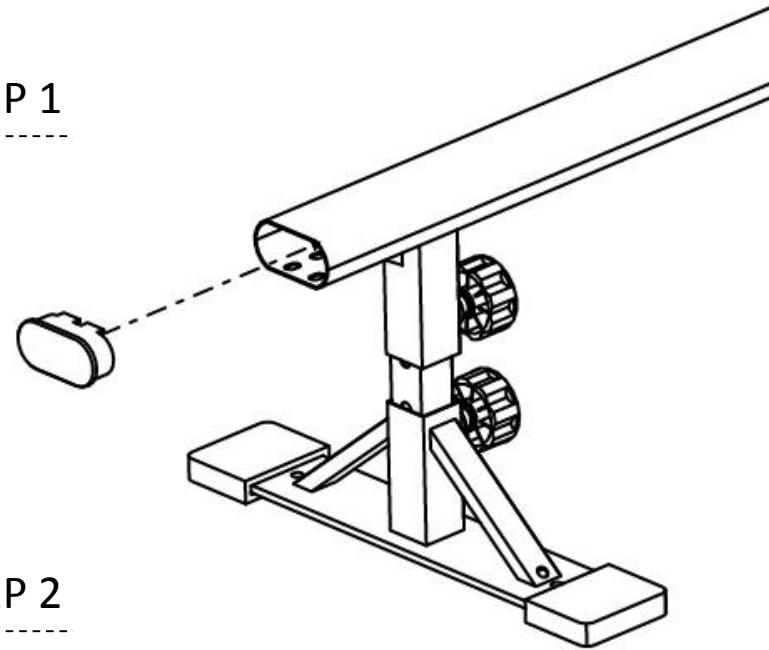
Take off an end cap off of each grind rail to expose the holes

## Step 2

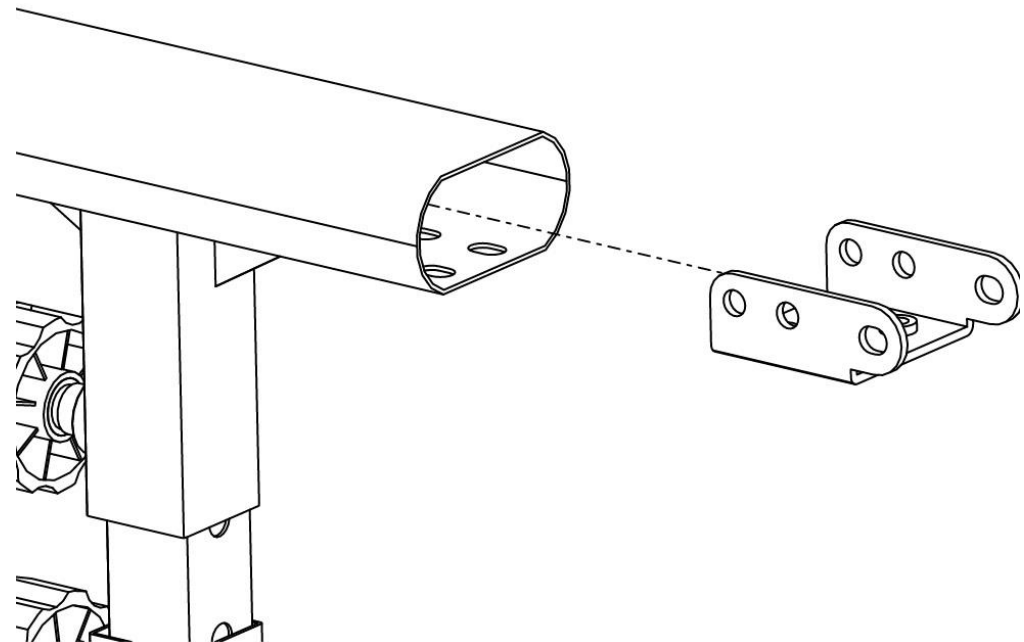
Insert the hinge into one of the grind rails

Align the first 2 holes in the hinge with the first 2 holes in the rail

## STEP 1



## STEP 2

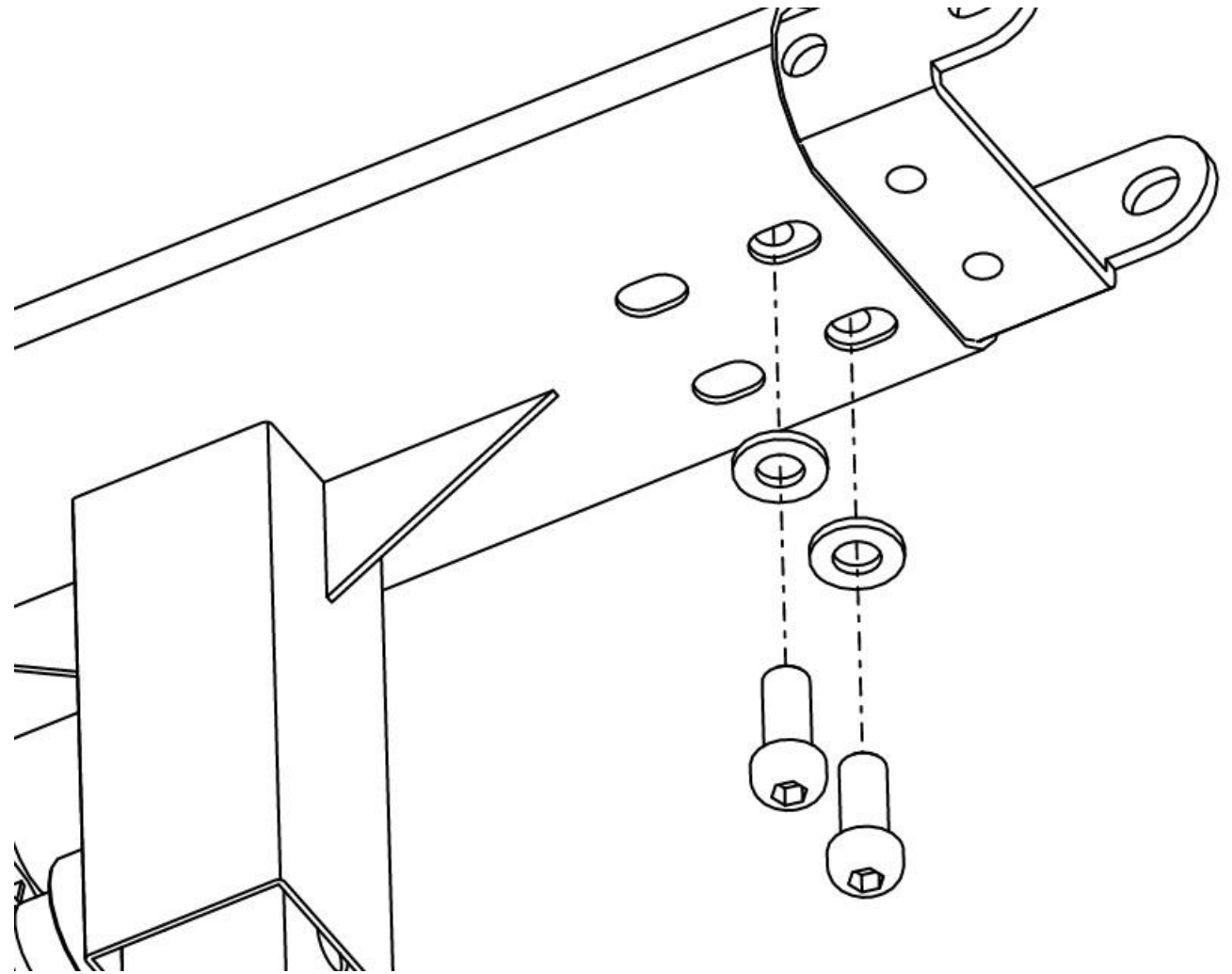


# BOLTING HINGE

## STEP 3

Bolt the hinge onto the rail at the first two holes with the washers and bolts provided

Place a washer on each bolt and screw each one into the threads of the hinge



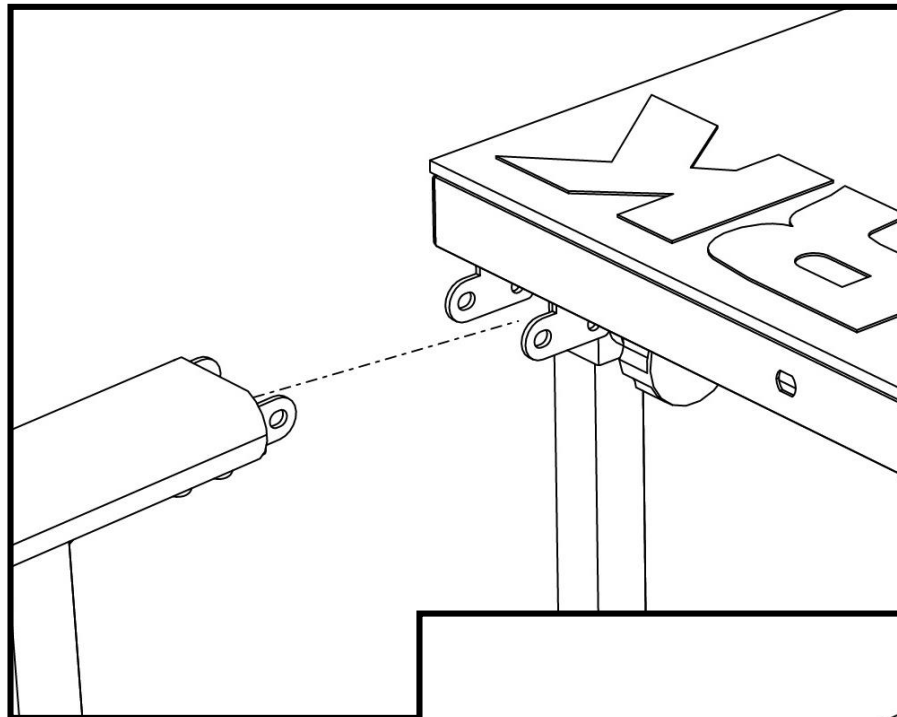
# ALIGNING PIECES

## STEP 4

Align the hinges together so the holes meet each other

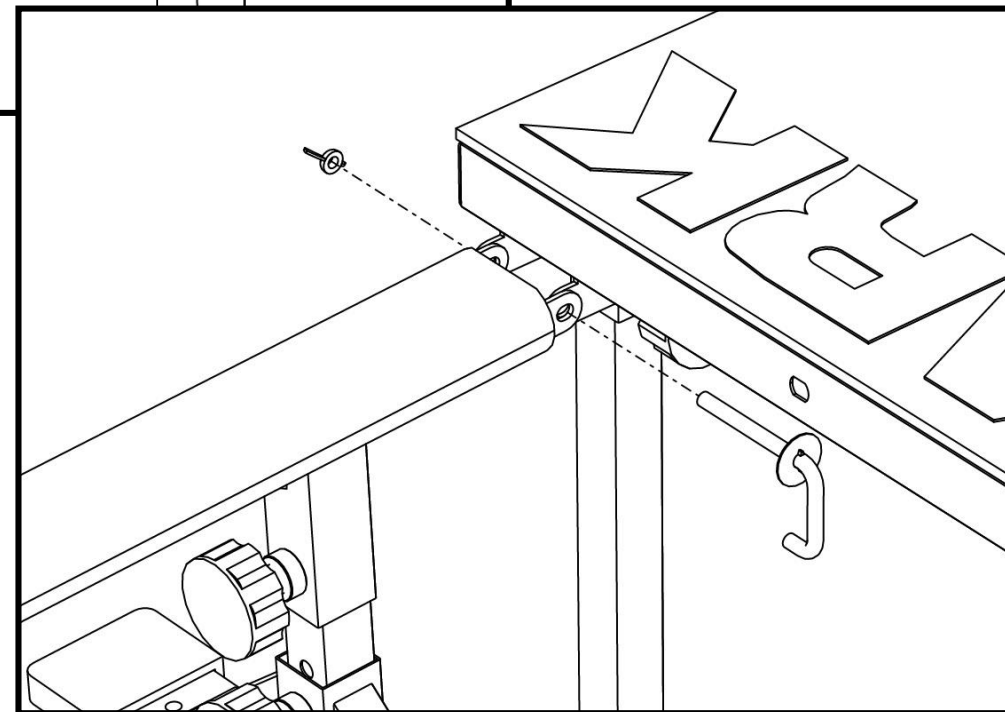
## STEP 5

Place a big washer on a J-bolt and slide it through both hinges and follow it with a wing nut on the other side to tighten it to the funbox

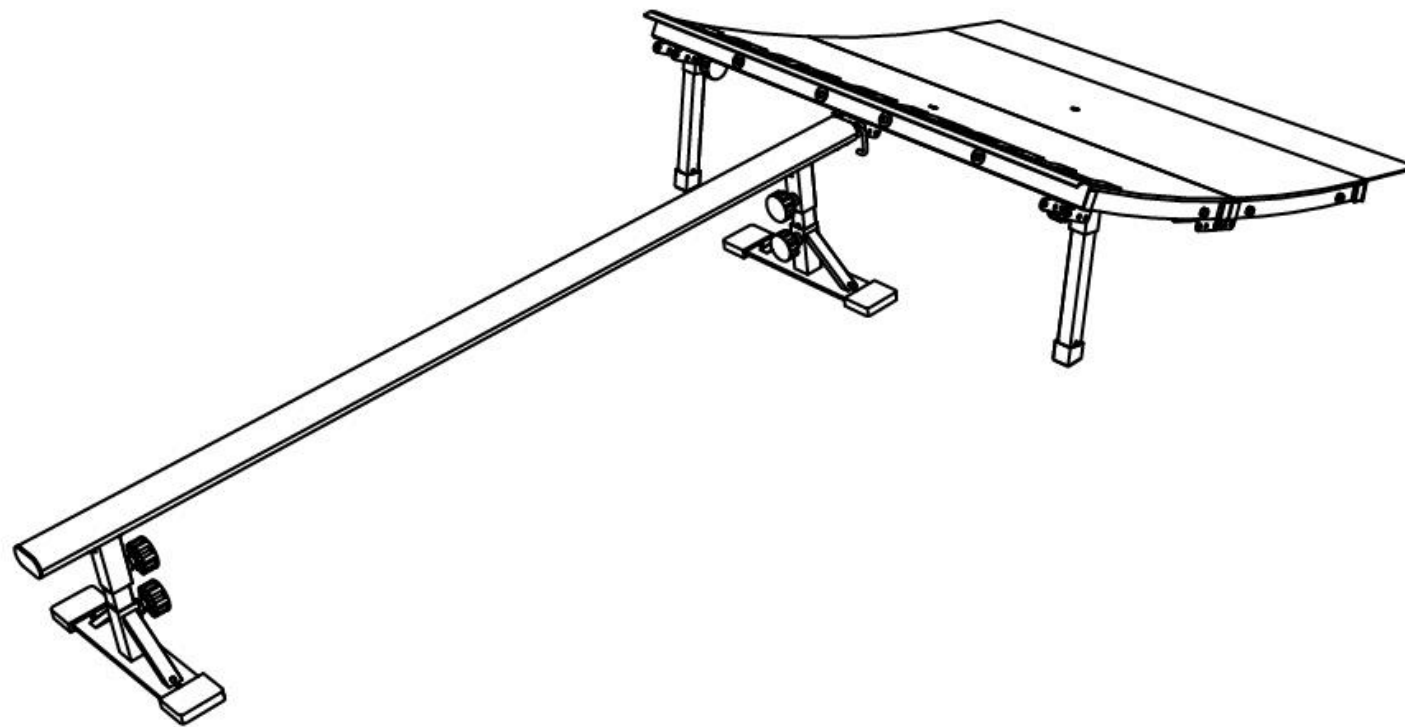


STEP 4

STEP 5



# LINKING GRIND RAIL WITH LAUNCH RAMP



# ATTATCHING HINGE

## STEP 1

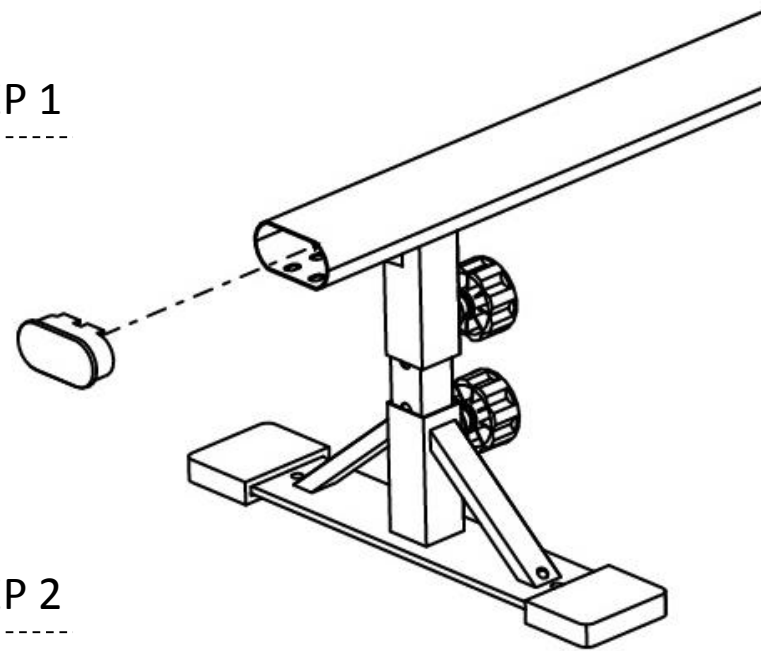
Take off an end cap off of each grind rail to expose the holes

## Step 2

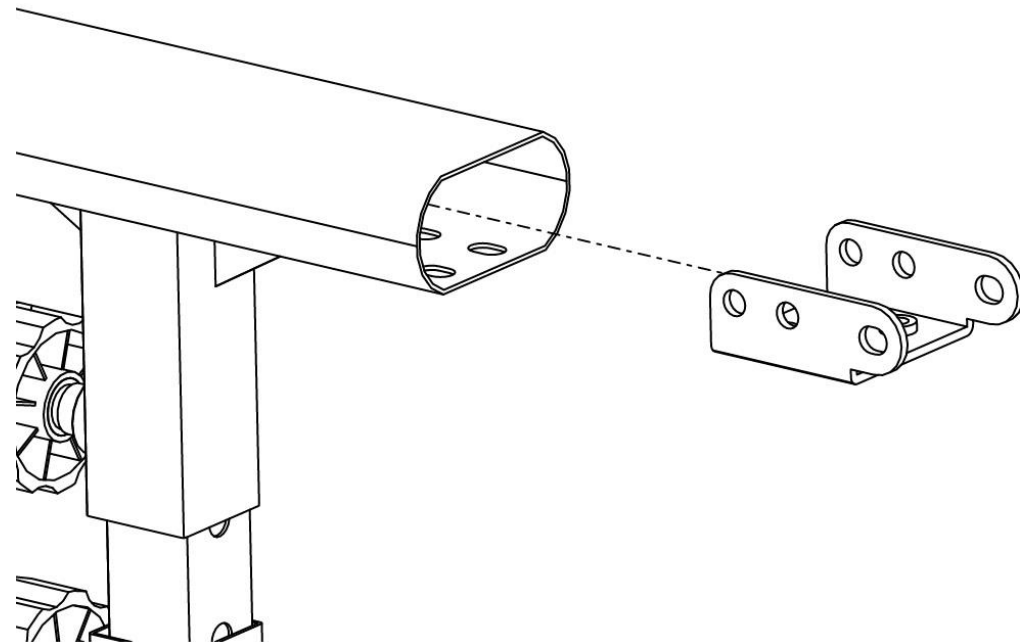
Insert the hinge into one of the grind rails

Align the first 2 holes in the hinge with the first 2 holes in the rail

## STEP 1



## STEP 2



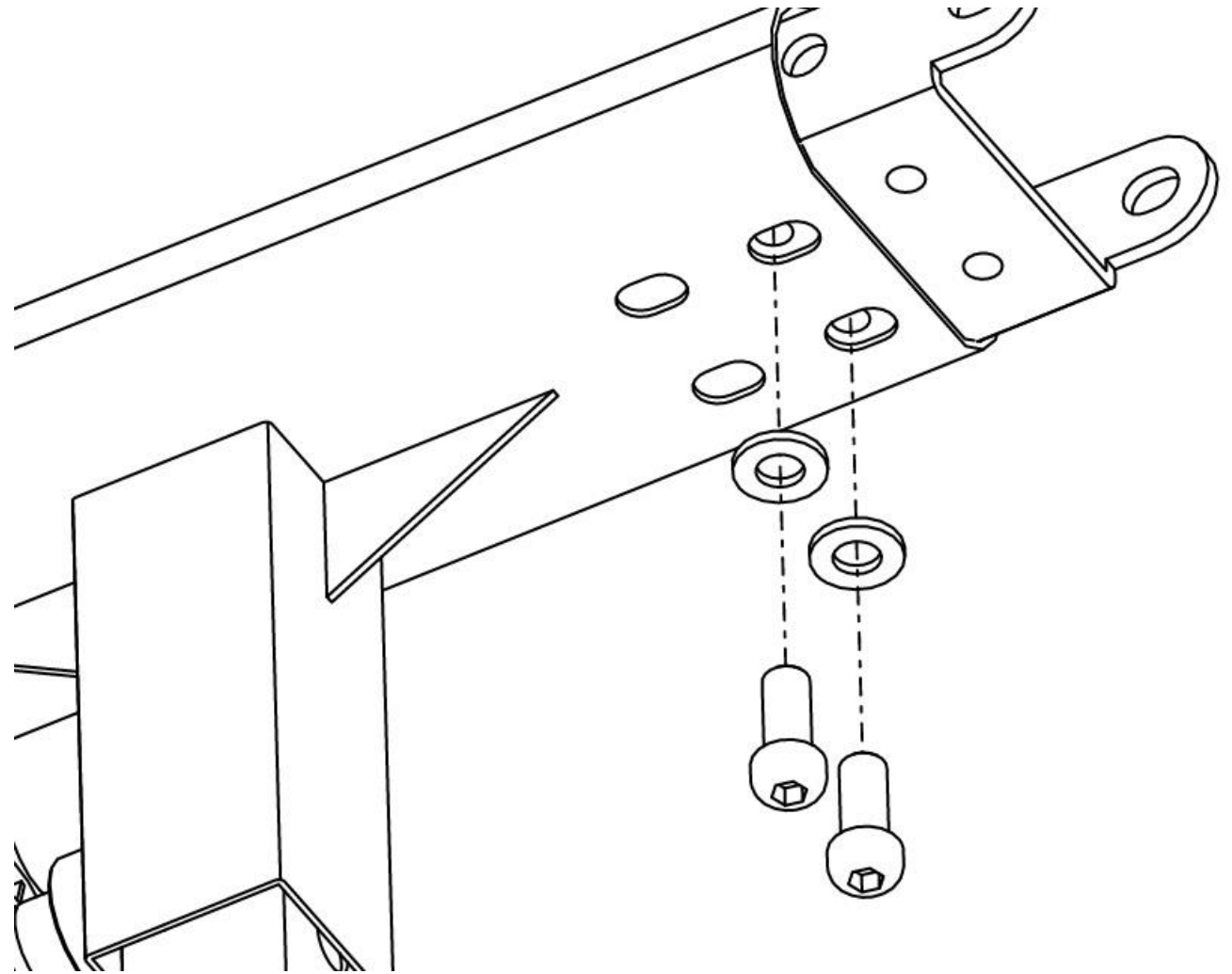


# BOLTING HINGE

## STEP 3

Bolt the hinge onto the rail at the first two holes with the washers and bolts provided

Place a washer on each bolt and screw each one into the threads of the hinge



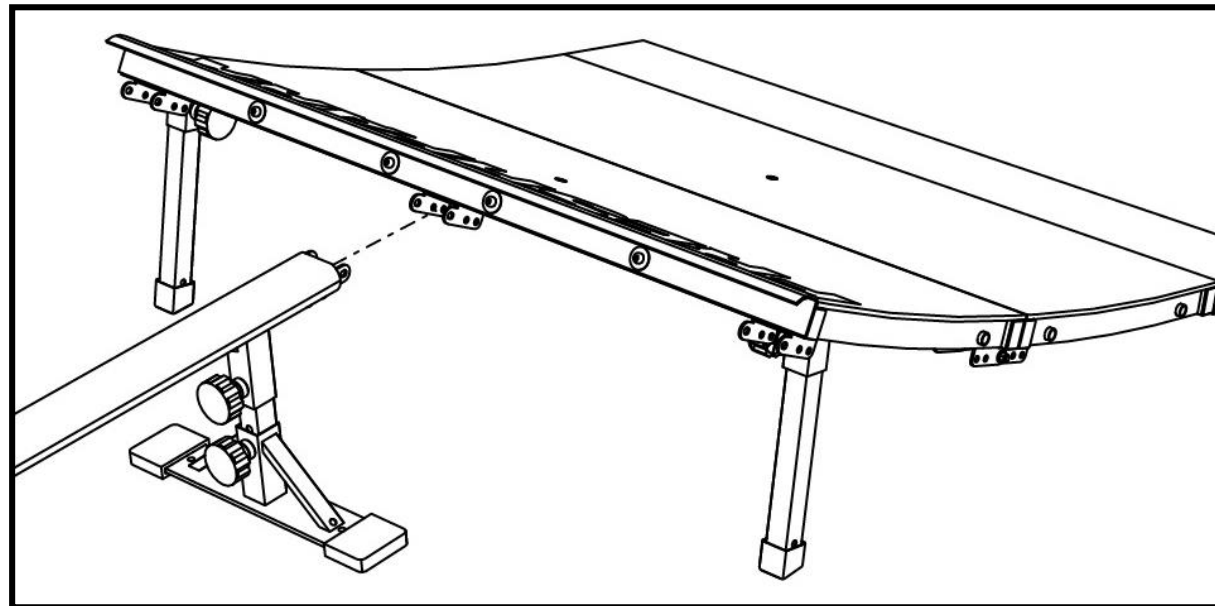
# ALIGNING PIECES

## STEP 4

Align the hinges together so the holes meet each other

Attach the grind rail to any hinge on the launch ramp

## STEP 4



## STEP 5

Place a big washer on a J-bolt and slide it through both hinges and follow it with a wing nut on the other side to tighten it to the launch ramp

## STEP 5

