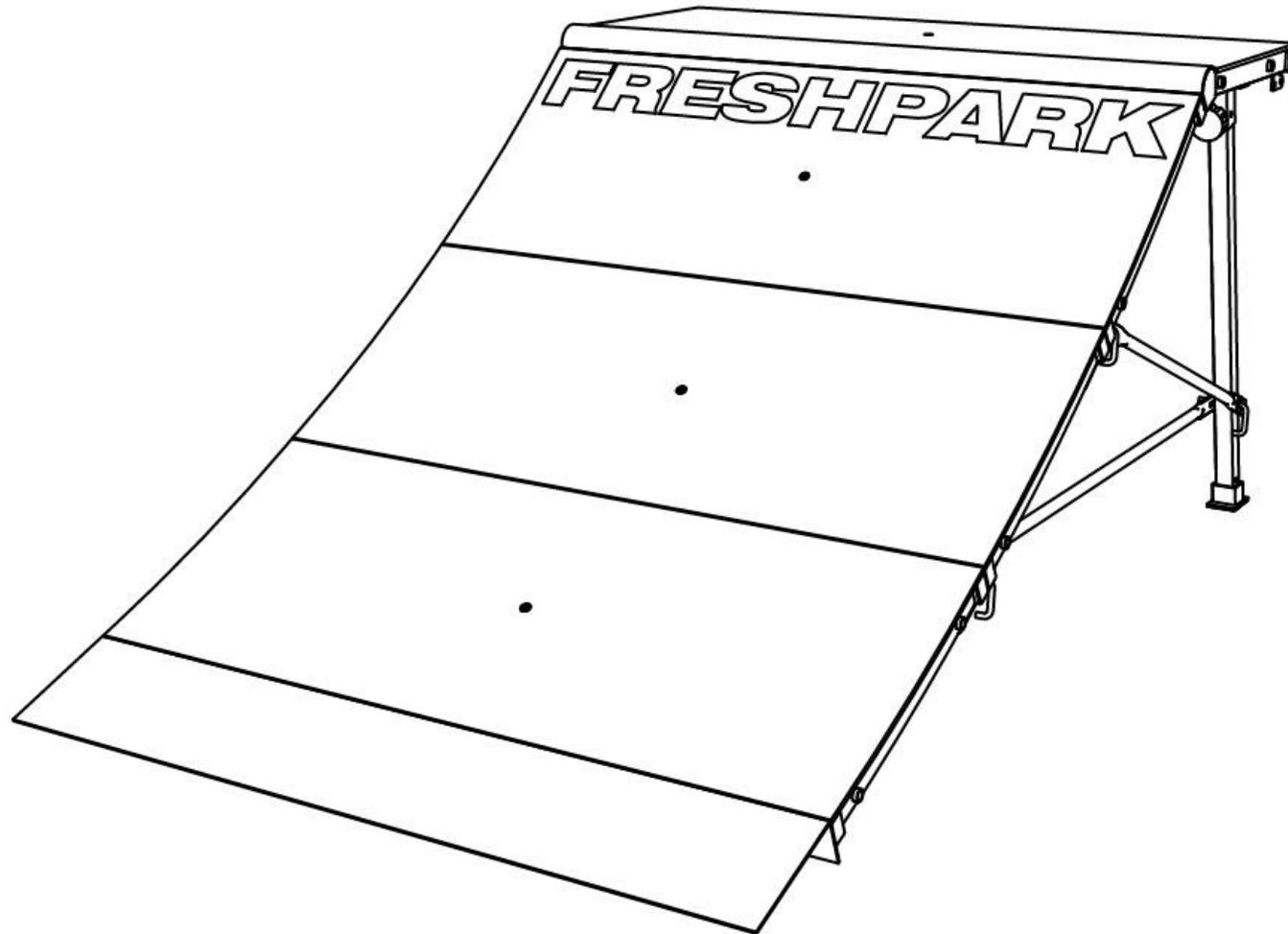


QUARTER PIPE INSTRUCTIONS

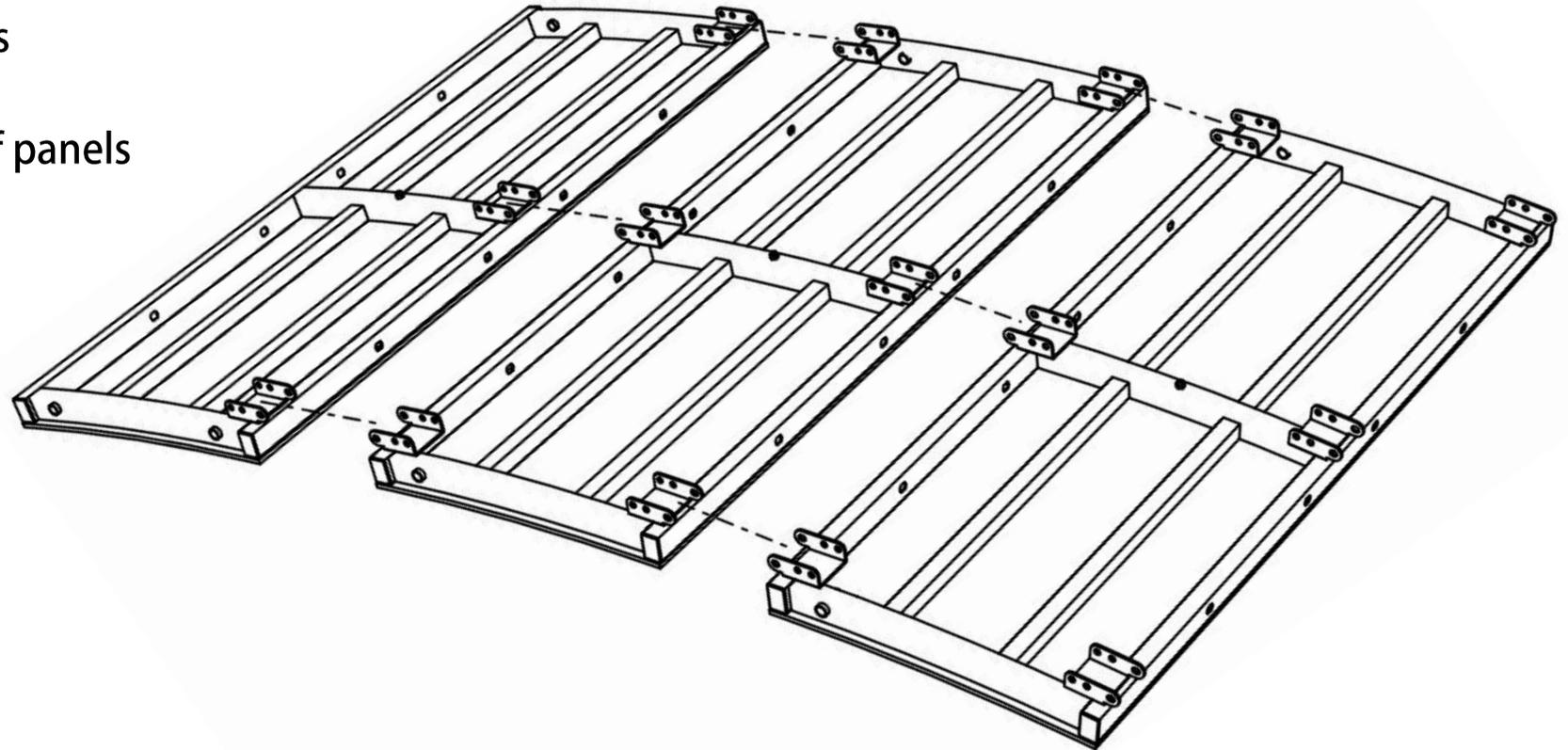


ALIGNING PANELS

STEP 1

Align the panels with the hinges together

Align the panels so the edges of panels are flush with each other



BOLTING HINGES

STEP 2

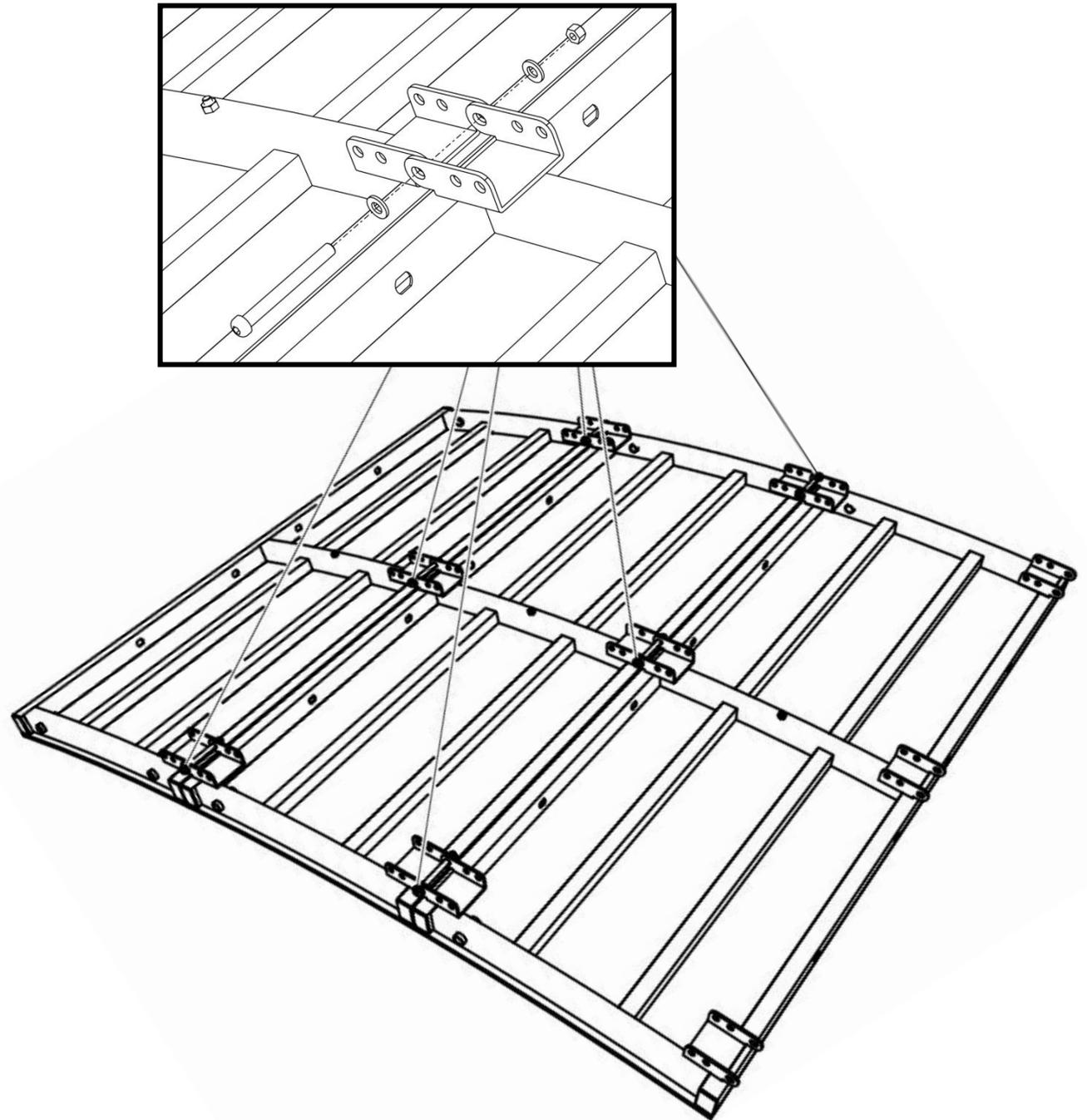
Bolt together the panels using the 3" bolts provided on the hinges

Place a small washer on the 3" bolt and insert it through both hinges

Follow it with a small washer and a lock nut to tighten the hinges together

Caution:

Do not tighten the bolts too tight to allow the hinges to freely move

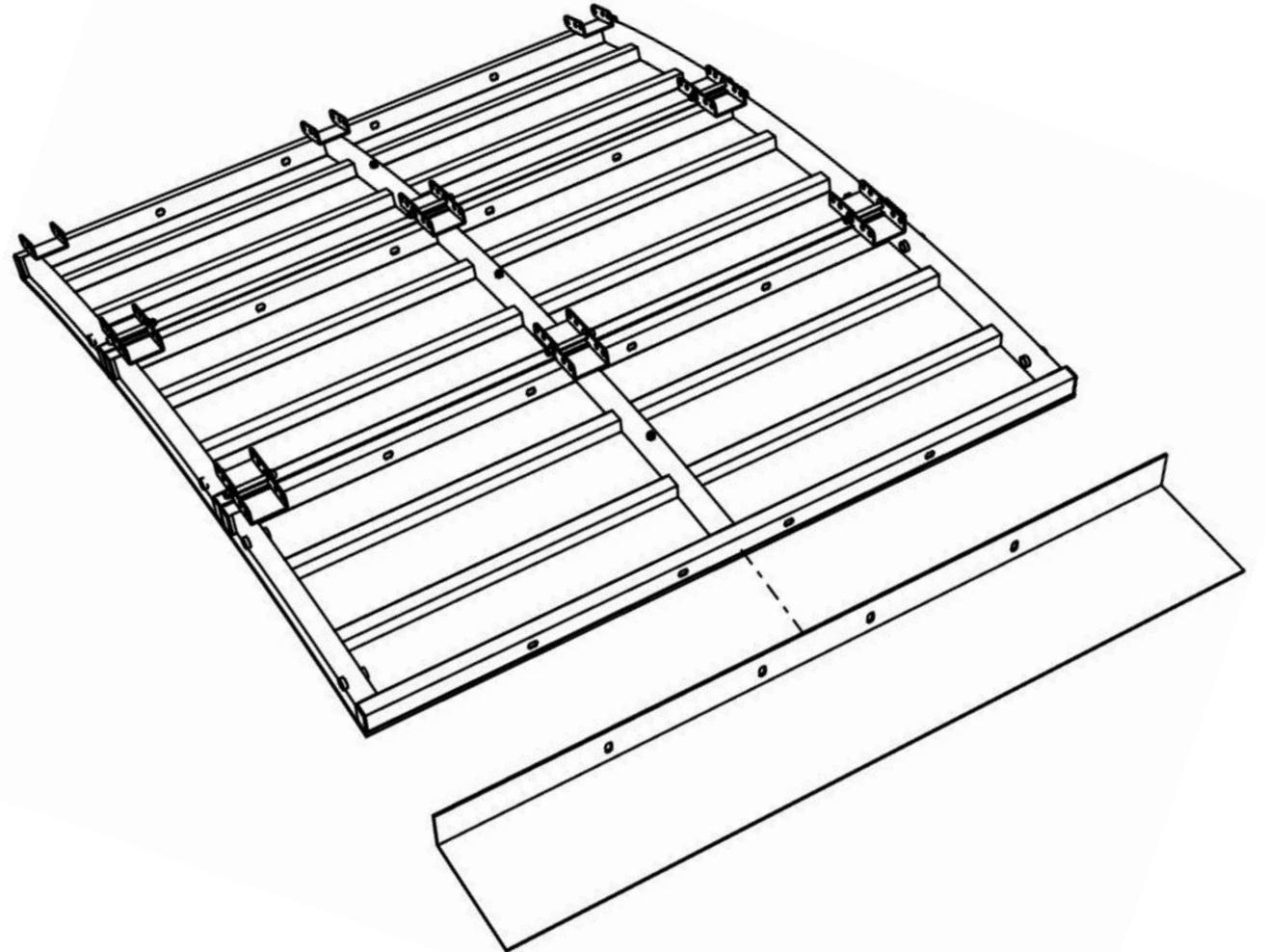


TOE PIECE

STEP 3

Place the toe piece on the flat side of the bottom panel

Align the 4 holes in the coping with the 4 holes in the tubing of the panel



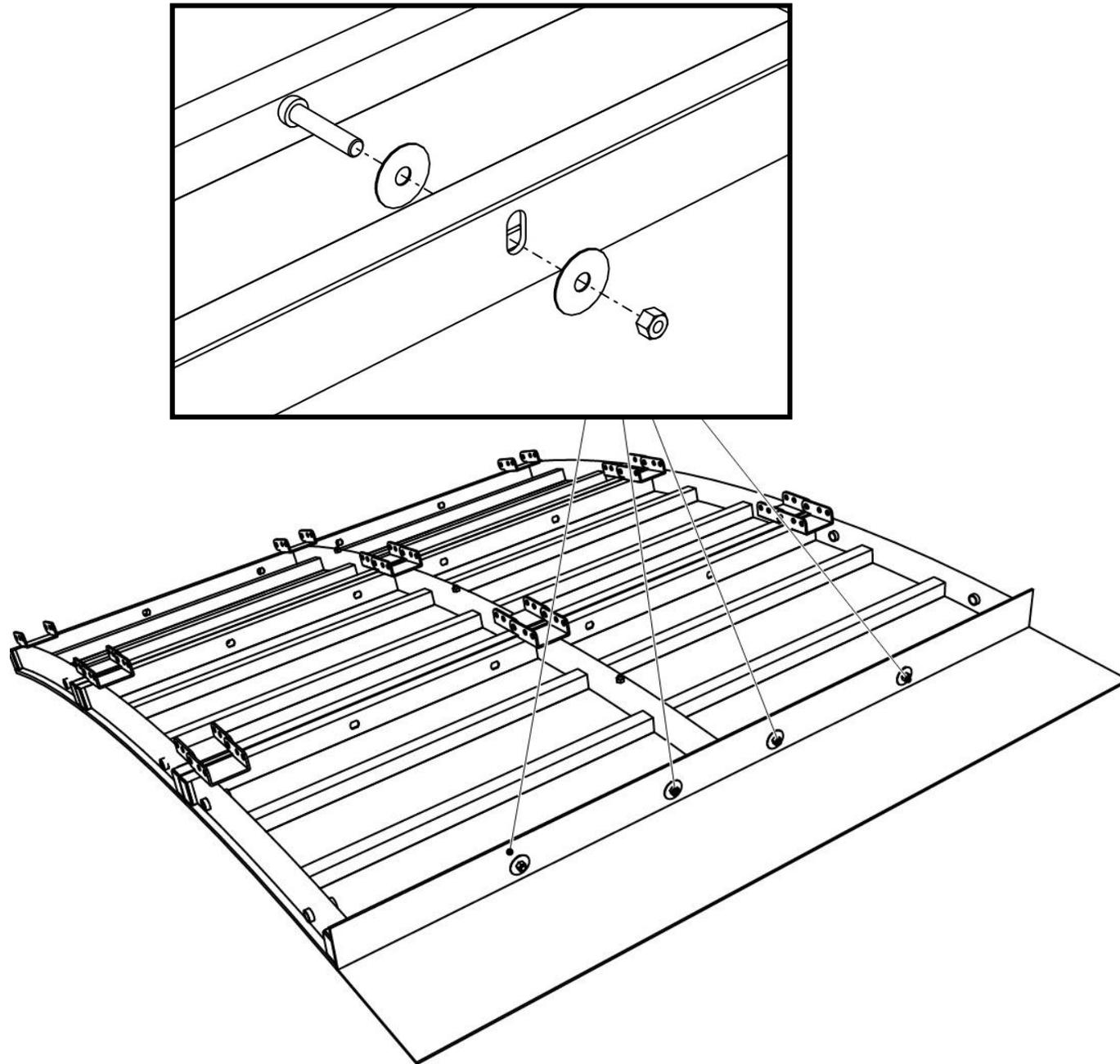
TOE PIECE

STEP 4

Use the 2" bolts to attach the toe piece to the bottom panel

Place a big washer onto the 2" bolt and insert it through the toe piece and tubing

Follow it with a big washer and a lock nut to tighten the toe piece to the launch ramp



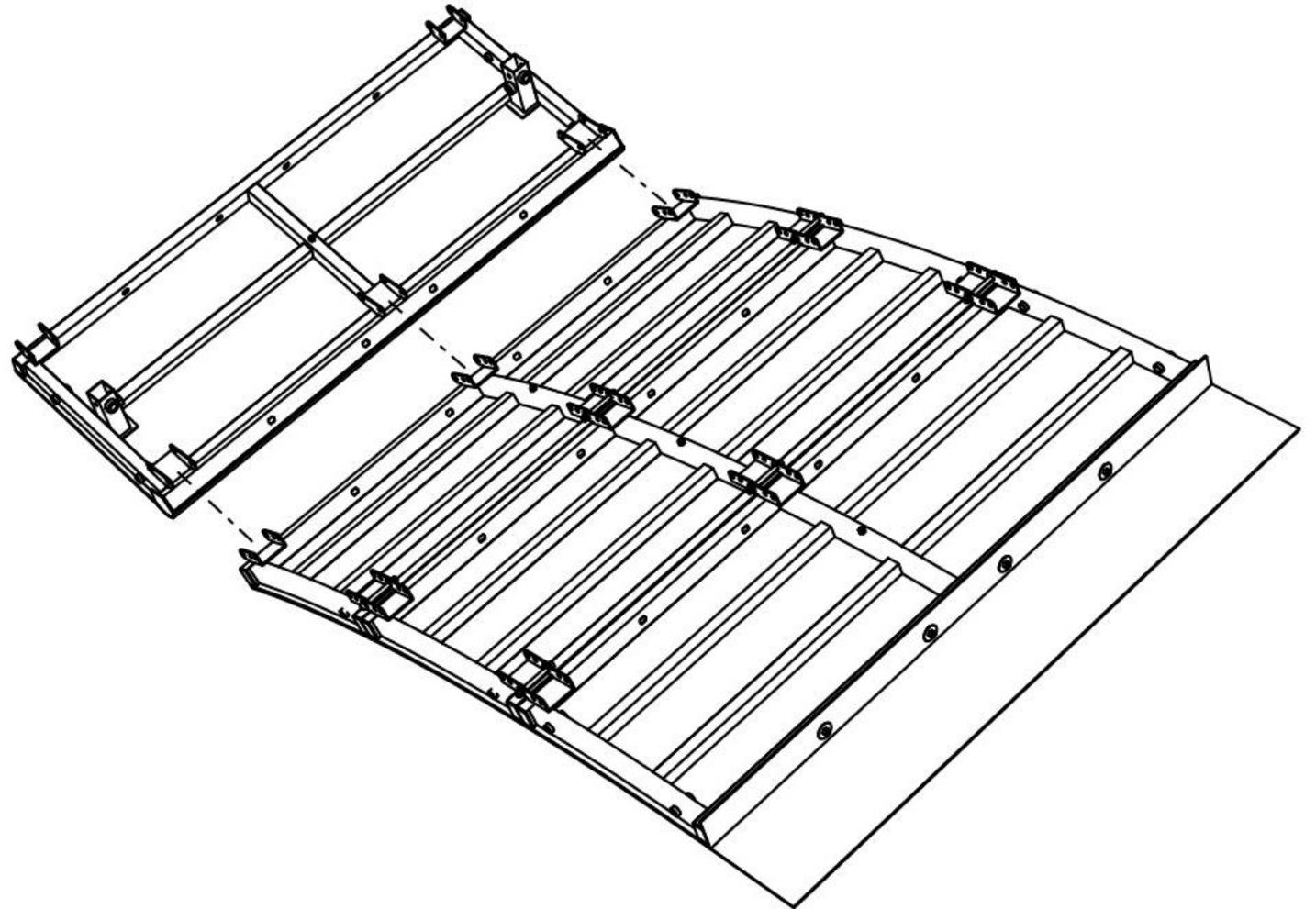
TOP PANEL

STEP 5

Align the top panel with the coping against the top curved panel

The top panel should be at an angle away from the ramp

Align the panels so the edges of panels are flush with each other



TOP PANEL

STEP 6

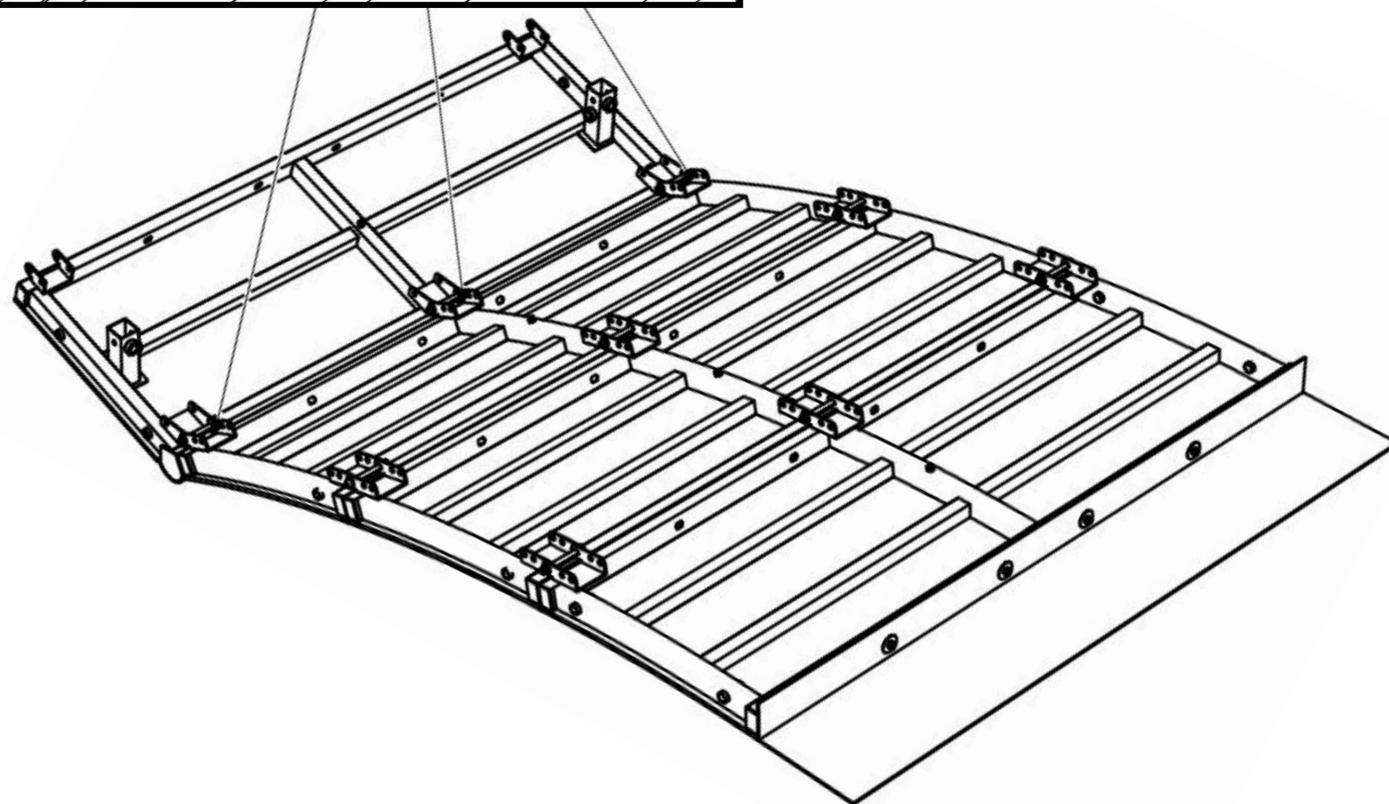
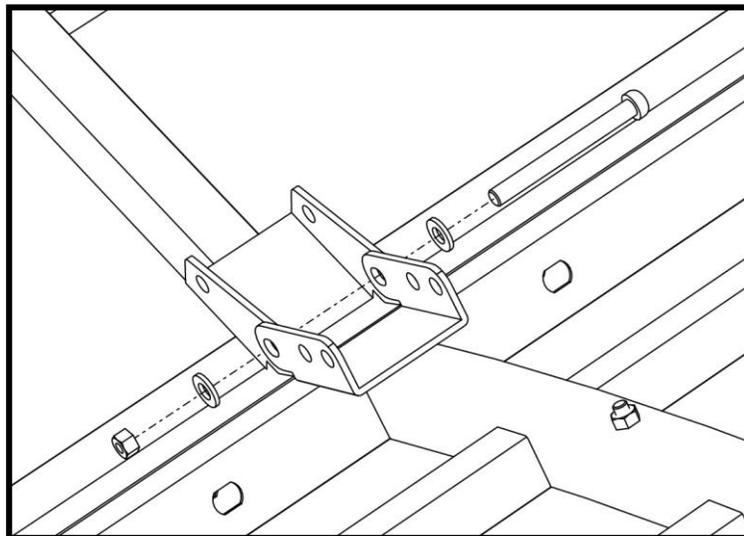
Bolt together the panels using the 3" bolts provided on the 3 hinges

Place a small washer on the 3" bolt and insert it through both hinges

Follow it with a small washer and a lock nut to tighten the hinges together

Caution:

Do not tighten the bolts too tight to allow the hinges to freely move

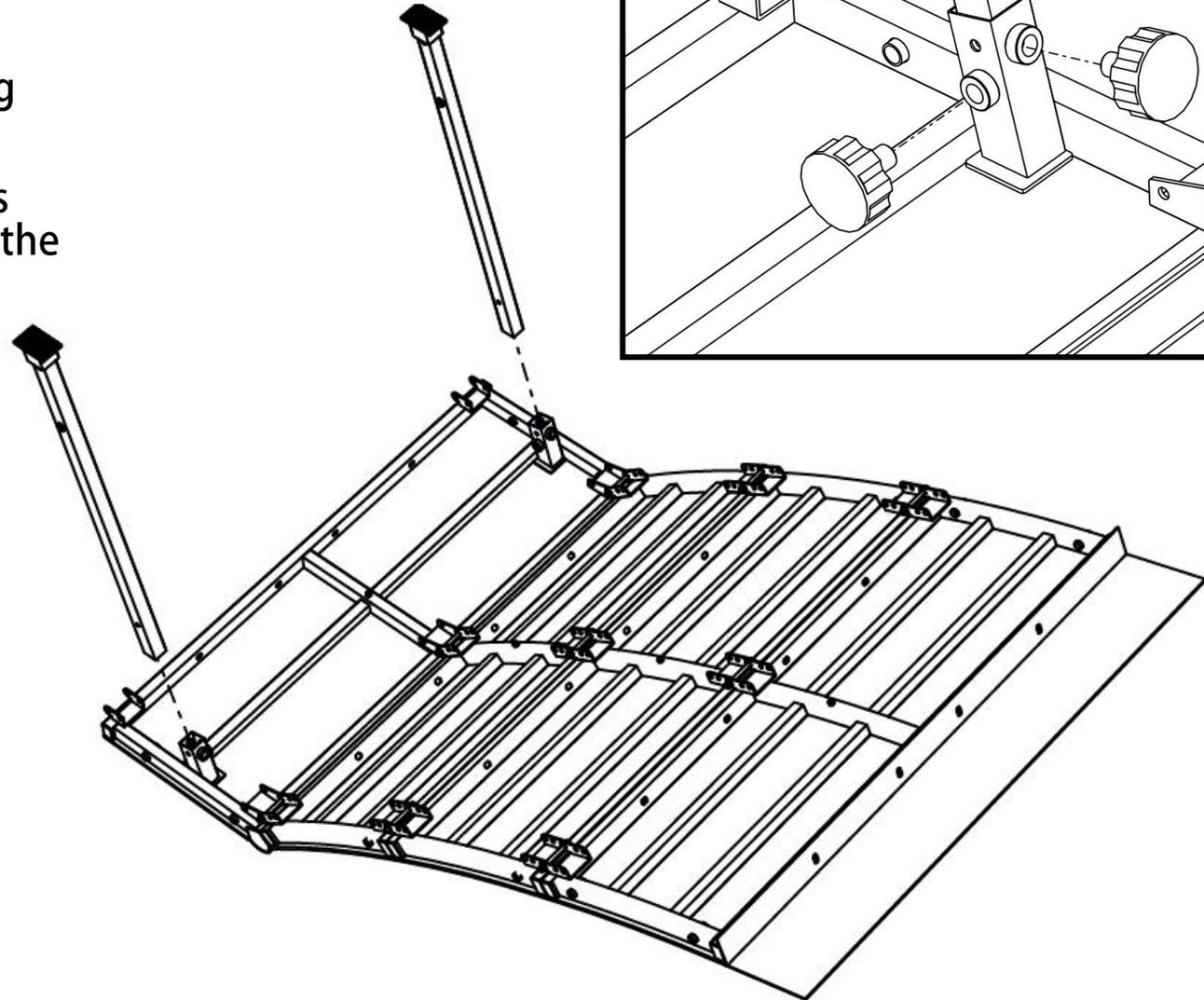


INSERTING LEGS

STEP 7

Insert the legs into receivers matching the angle of the legs with the ramp

Tighten the legs down with the knobs by screwing them into the threads of the receivers until the legs are secure

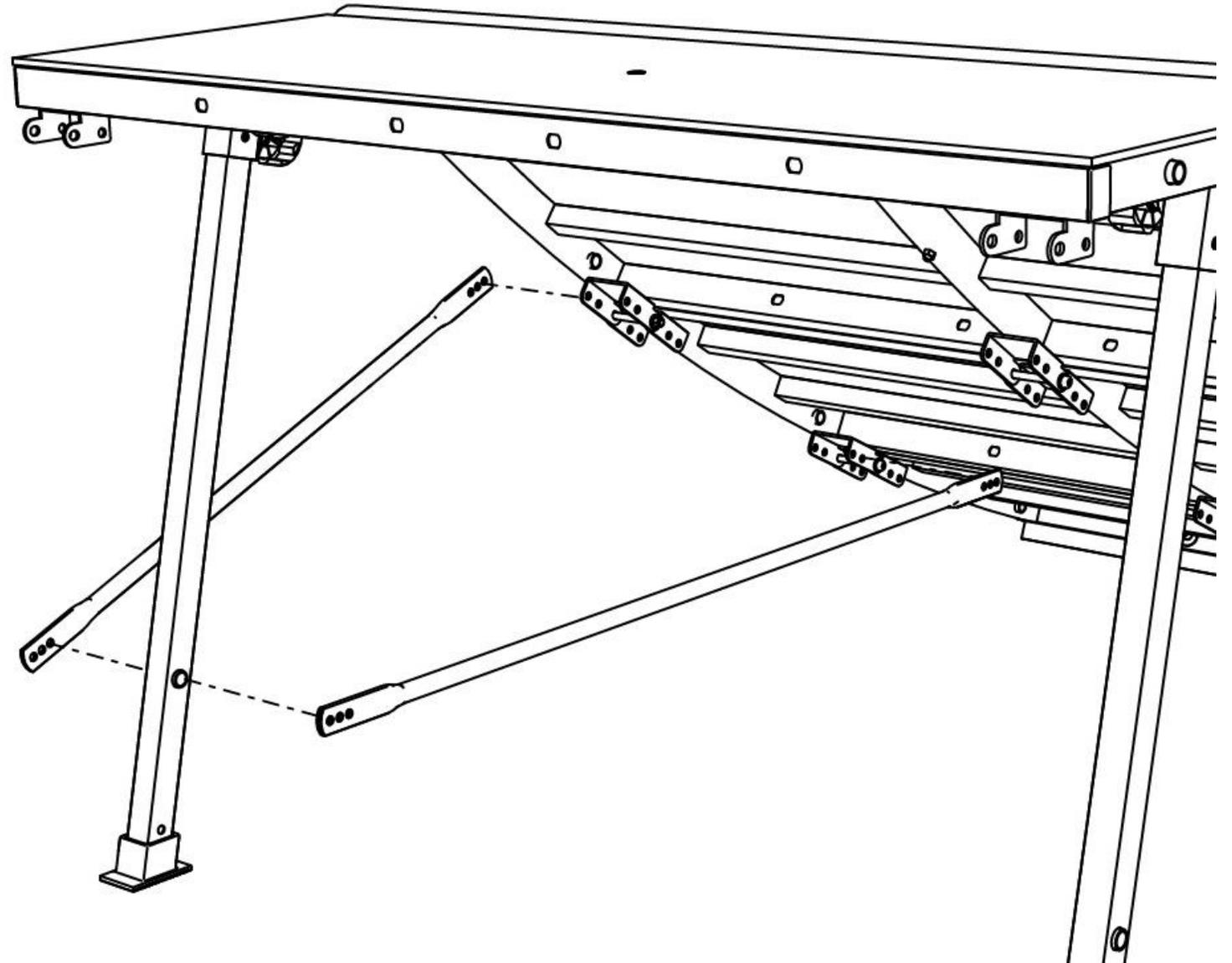


SUPPORT BARS

STEP 8

Place a short and long support bar on each leg of the quarter pipe

Bolt the two support bars onto the hole at the bottom of the leg with the small one support bar on the outside and inside of each leg



SUPPORT BARS

STEP 9

Start by bolting the short support bar to the second hinge closest to the coping

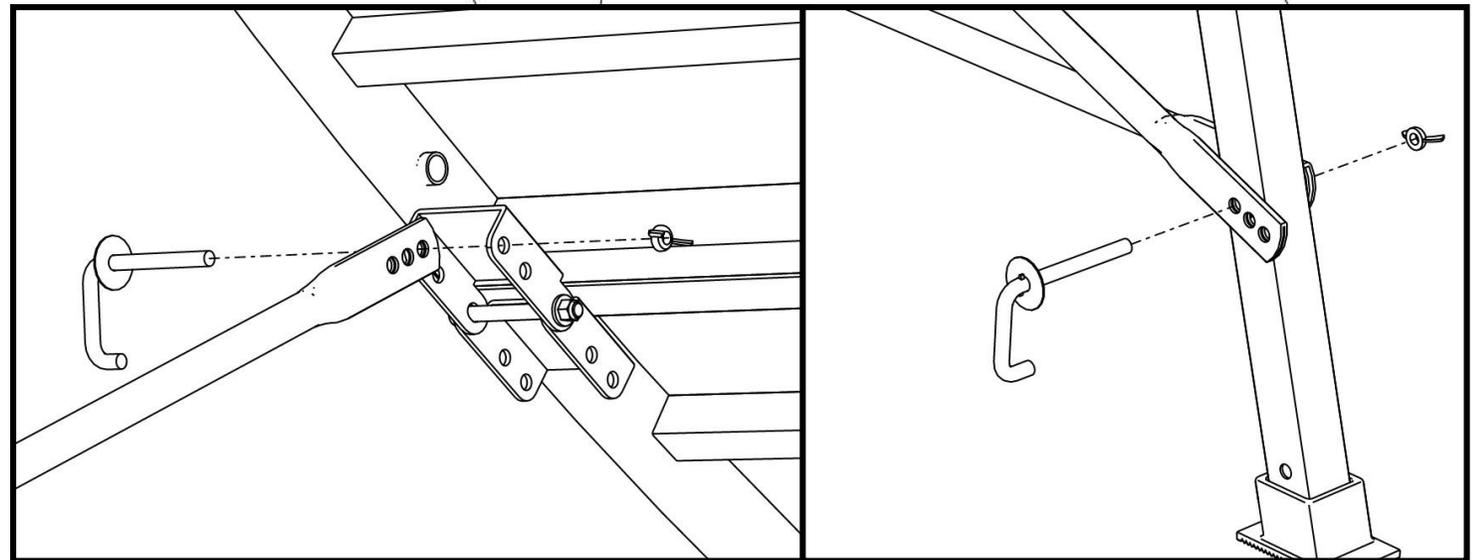
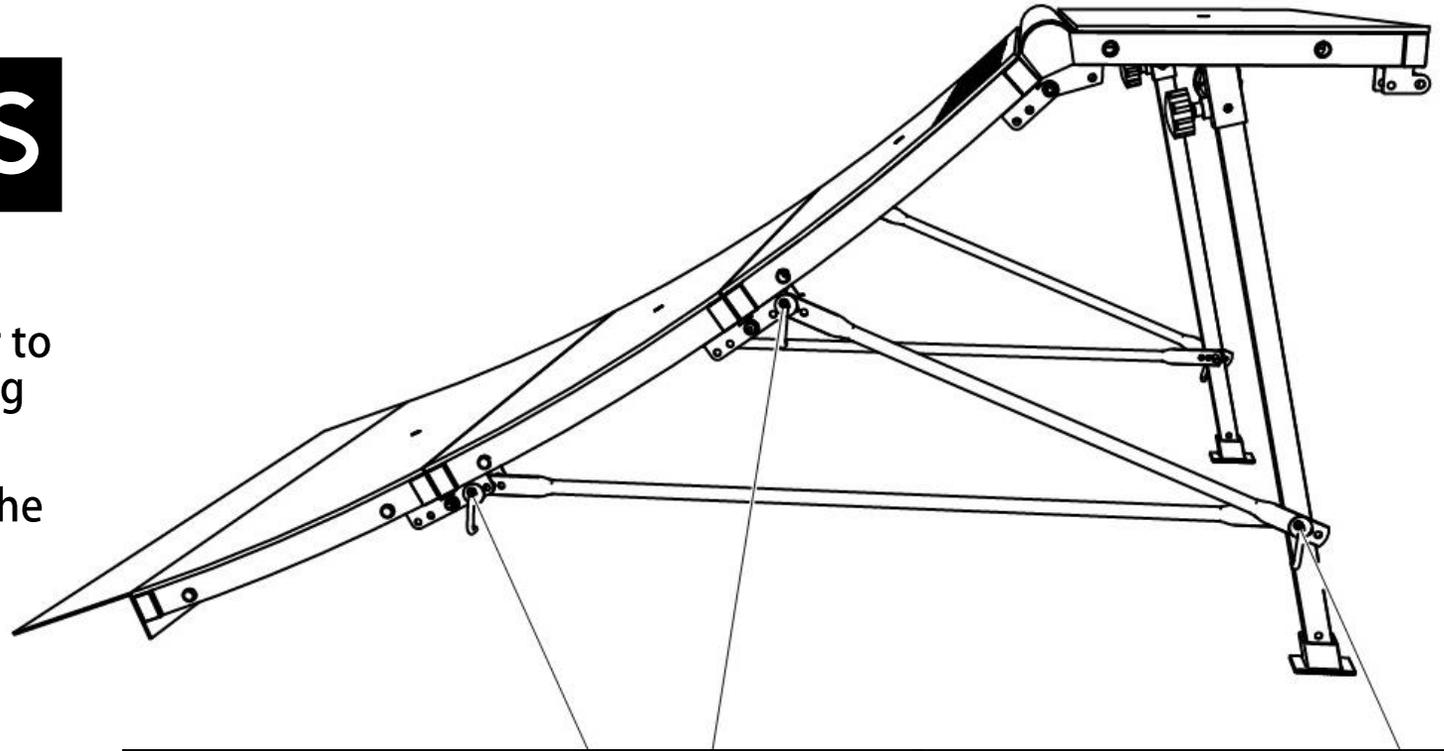
Put a large washer onto a J-bolt and slide it through the support bar and the hinge followed by a wing nut to keep them secure

STEP 10

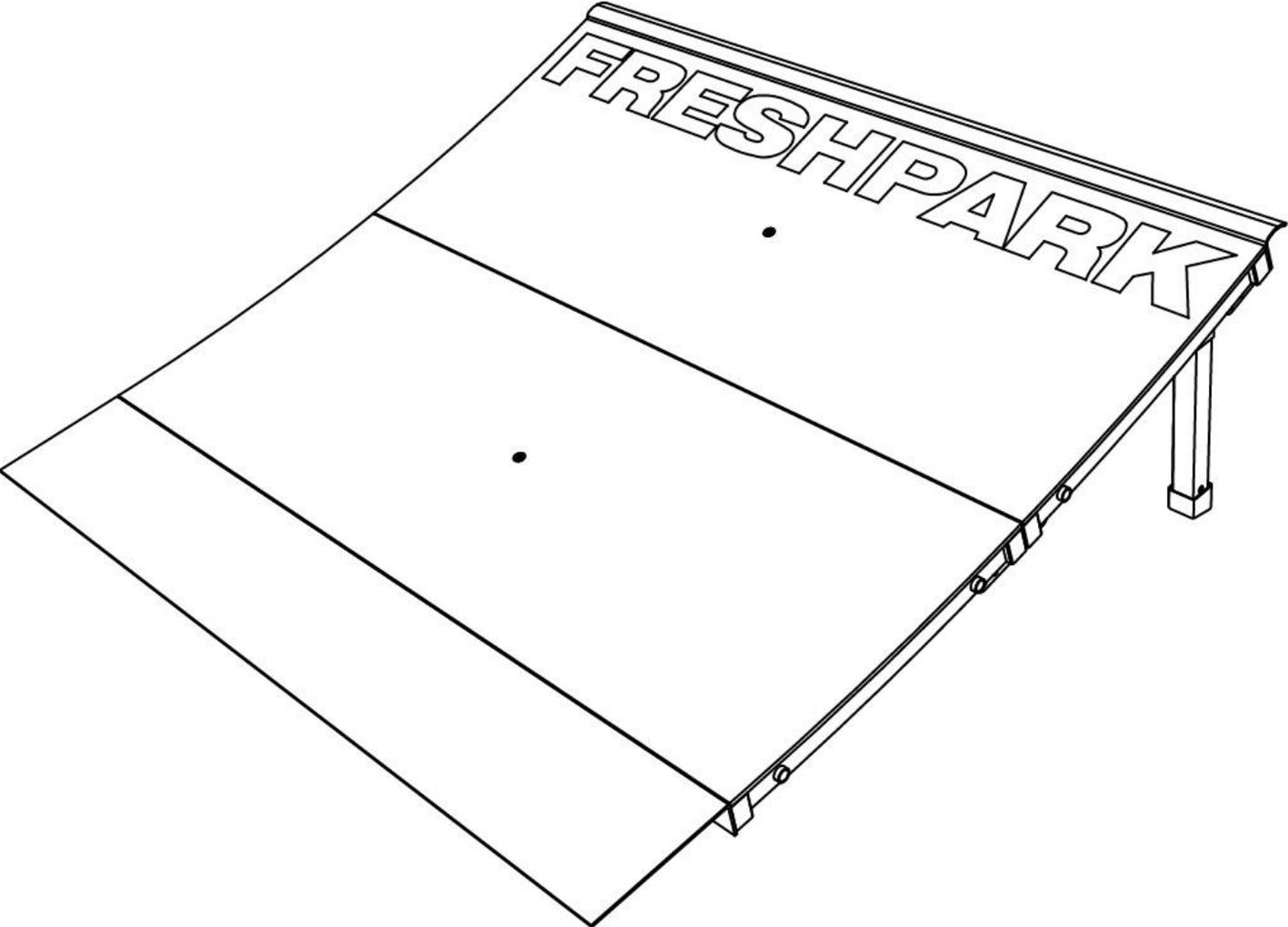
Put a large washer onto a J-bolt and slide it through both support bars and the hole in the leg as shown

Tighten the support bars with a wing nut on the J-bolt to keep them secure

You might need to squeeze the leg and the ramp of the quarter pipe together to let the support bar have a tighter fit or reach the hinge



LAUNCH RAMP INSTRUCTIONS

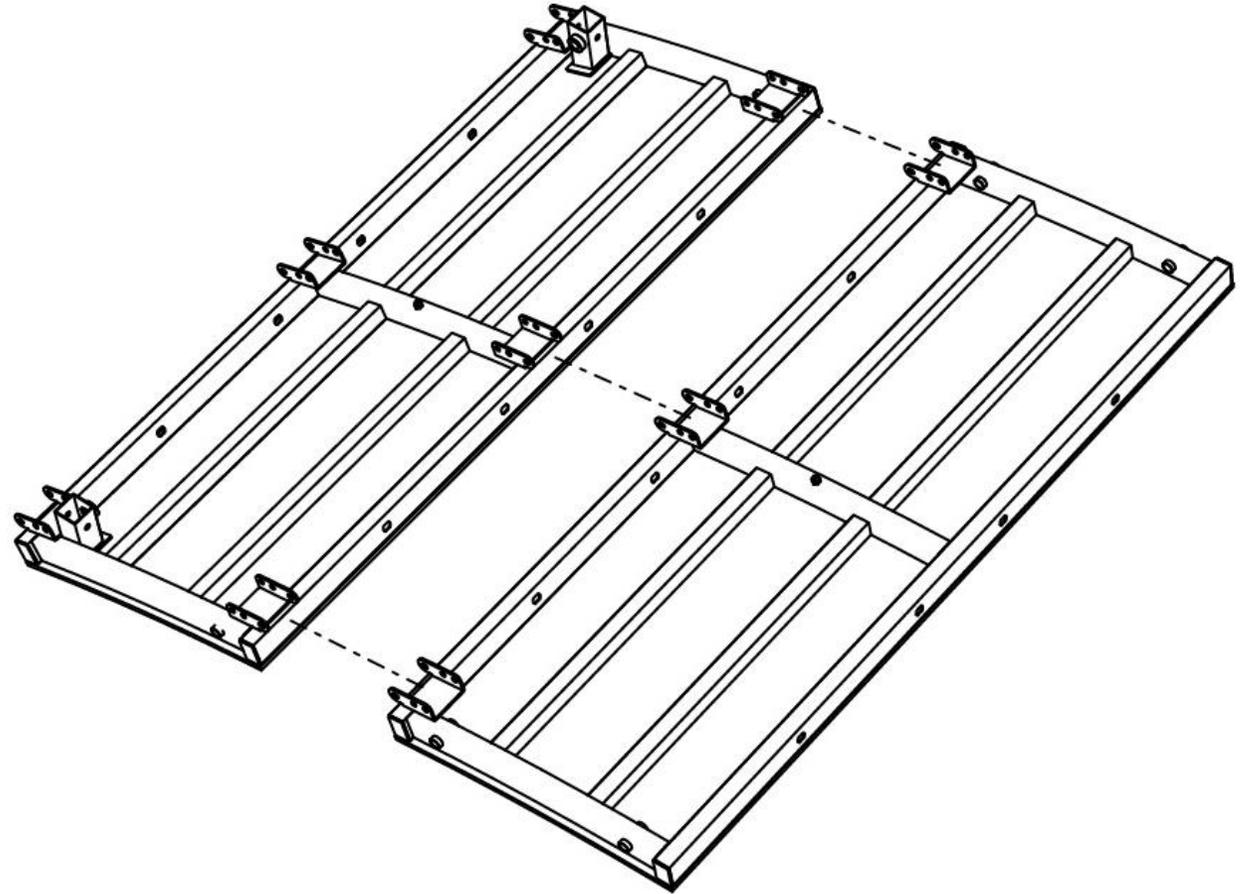


ATTACHING PANELS

STEP 1

Align the two panels with the hinges together

Align the panels so the edges of panels are flush with each other



ATTACHING PANELS

STEP 2

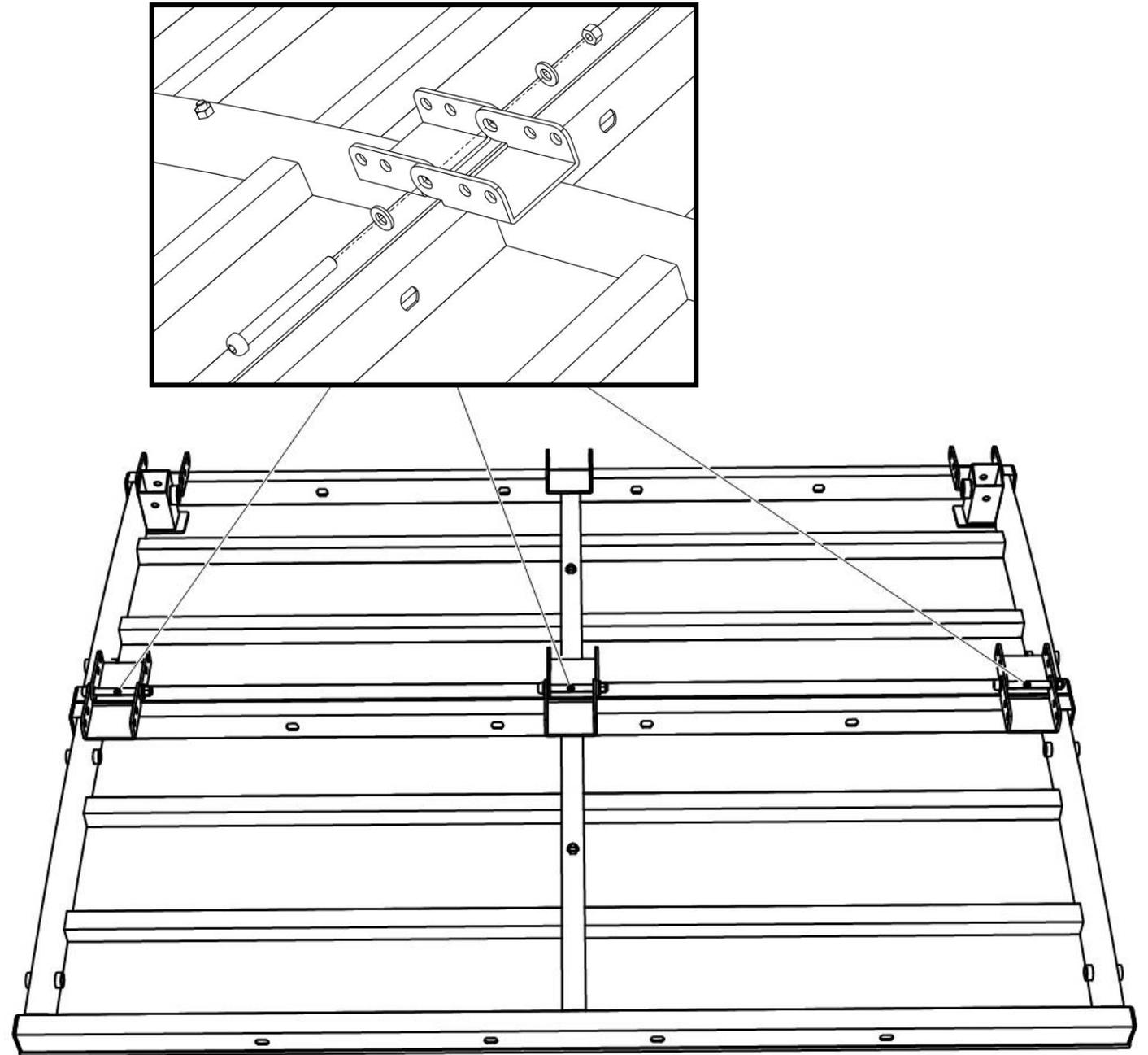
Bolt together the panels using the 3" bolts provided on the 3 hinges

Place a small washer on the 3" bolt and insert it through both hinges

Follow it with a small washer and a lock nut to tighten the hinges together

Caution:

Do not tighten the bolts too tight to allow the hinges to freely move

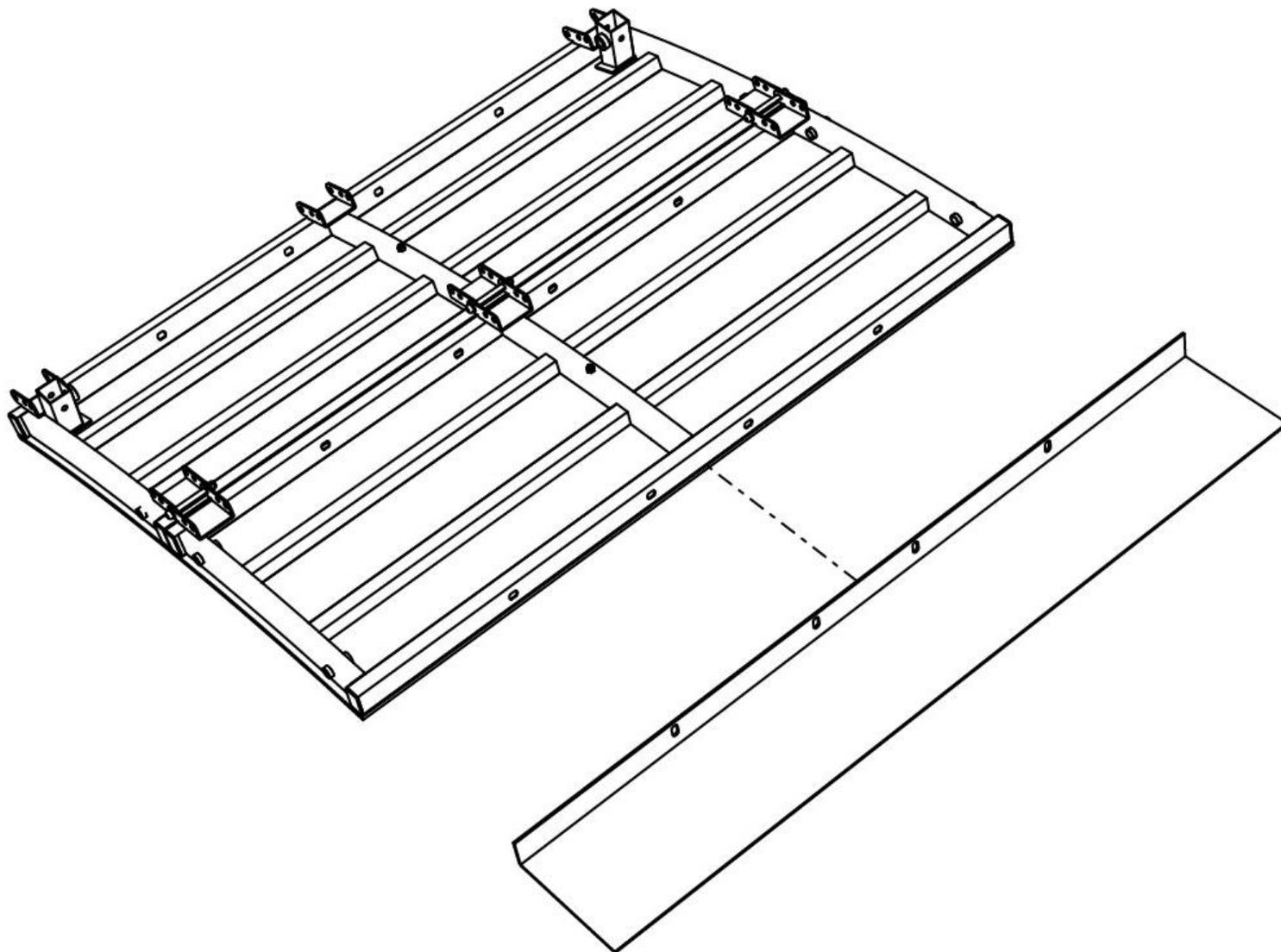


TOE PIECE

STEP 3

Place the toe piece on the bottom panel with only 3 hinges

Align the 4 holes in the coping with the 4 holes in the tubing of the panel



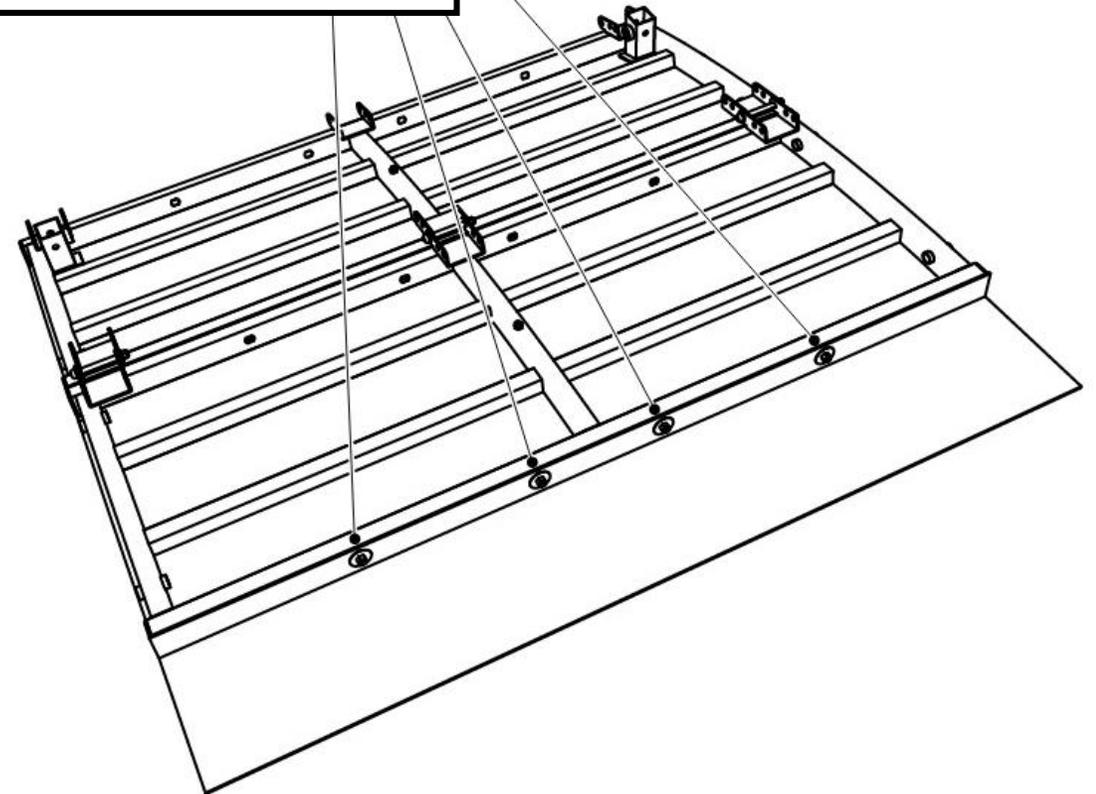
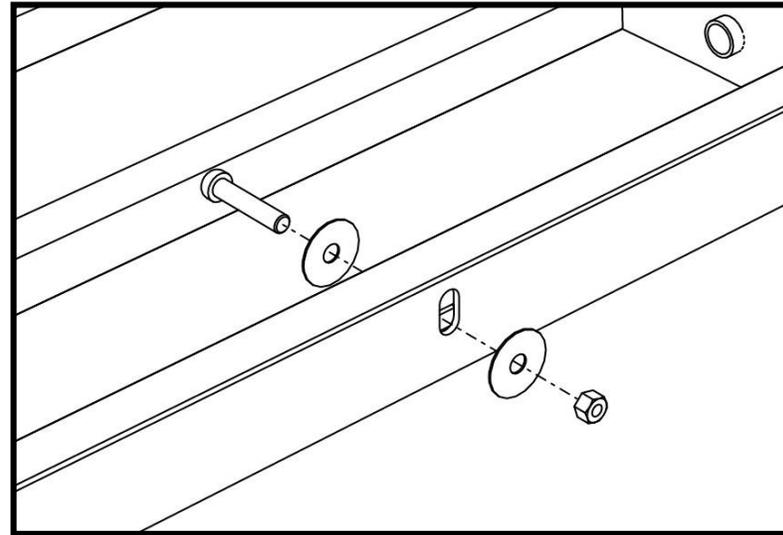
TOE PIECE

STEP 4

Use the 2" bolts to attach the toe piece to the launch ramp

Place a big washer onto the 2" bolt and insert it through the toe piece and tubing

Follow it with a big washer and a lock nut to tighten the toe piece to the launch ramp

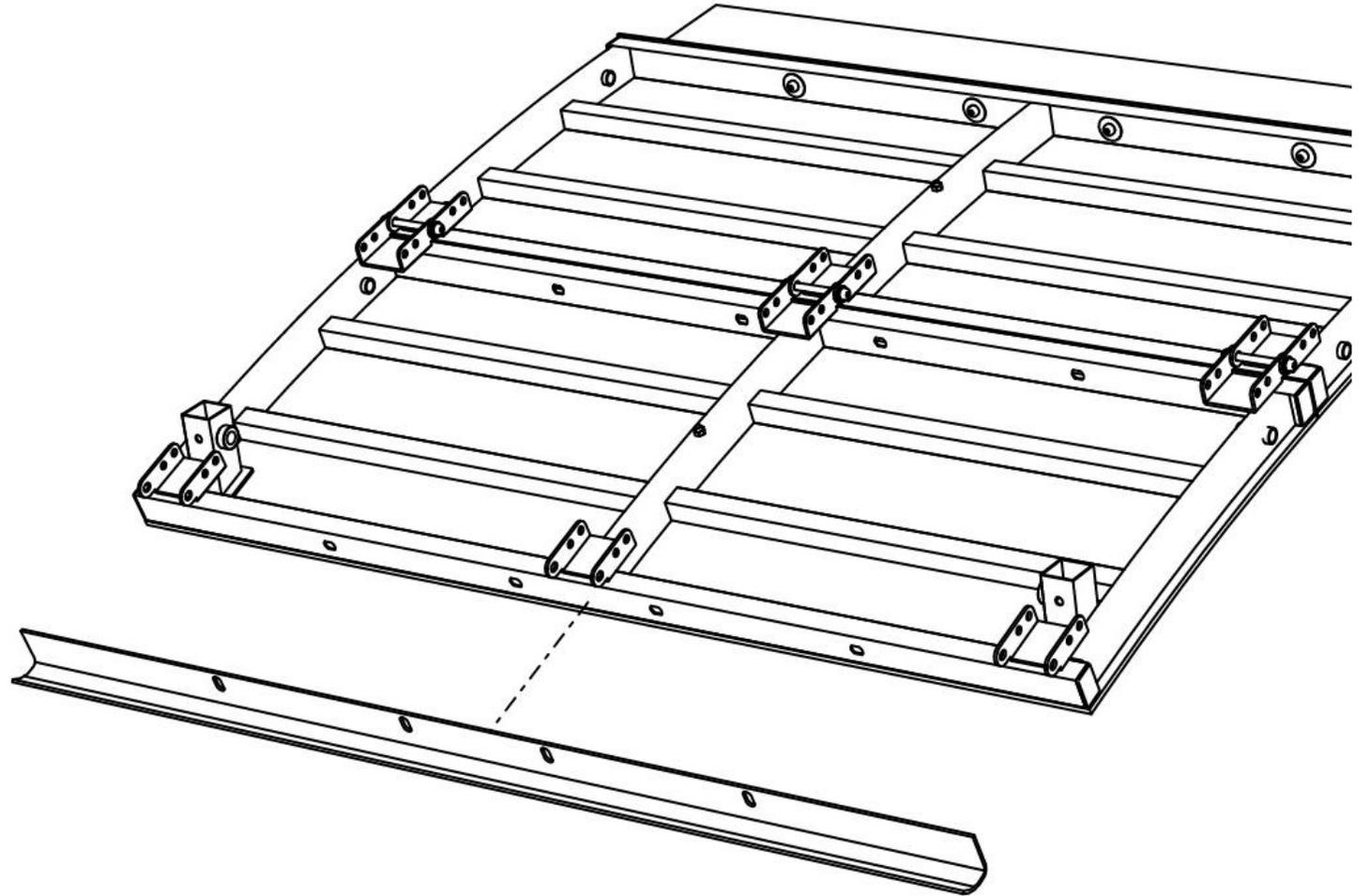


COPING

STEP 5

Place the coping on top panel of the launch ramp with the receivers

Align the 4 holes in the coping with the 4 holes in the tubing of the panel



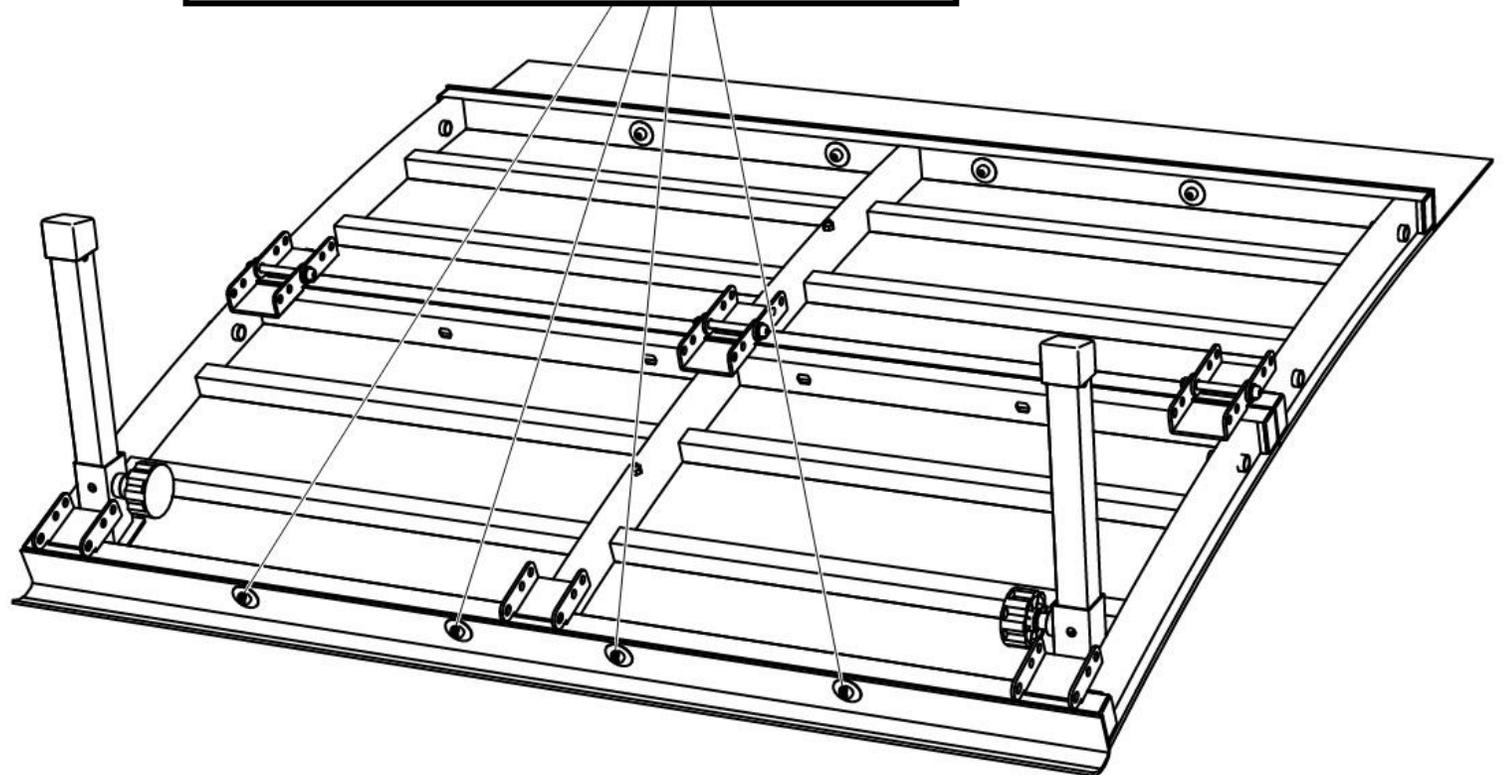
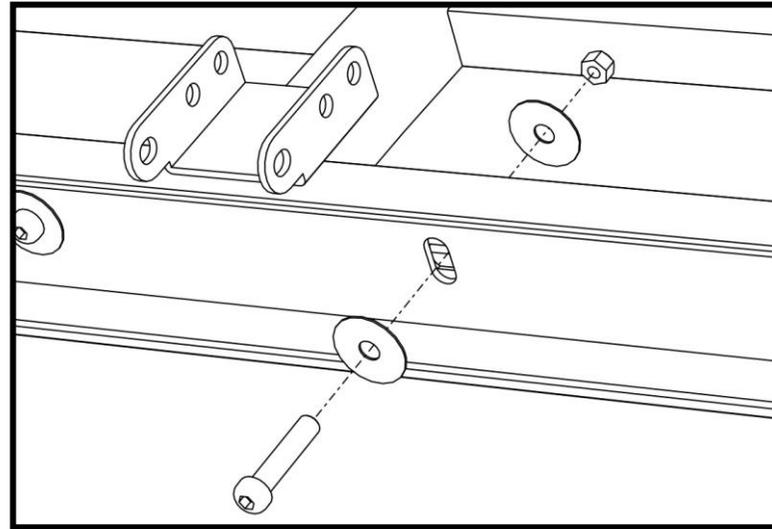
COPING

STEP 6

Use the 2" bolts to attach the coping to the launch ramp

Place a big washer onto the 2" bolt and insert it through the tubing and coping

Follow it with a big washer and a lock nut to tighten the coping to the launch ramp



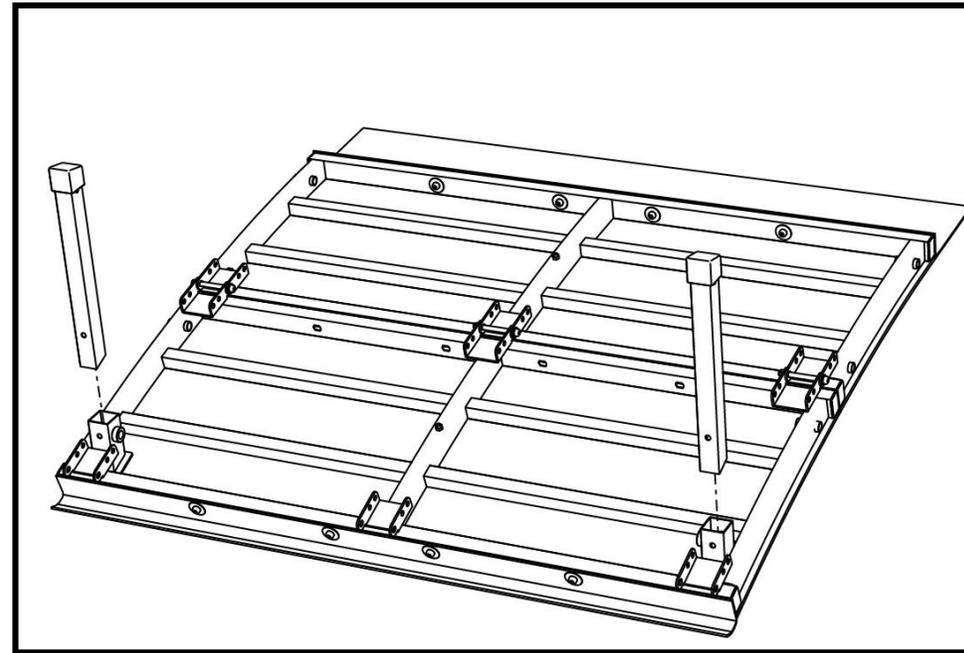
INSERTING LEGS

STEP 7

Insert the legs into receivers matching the angle of the legs with the ramp

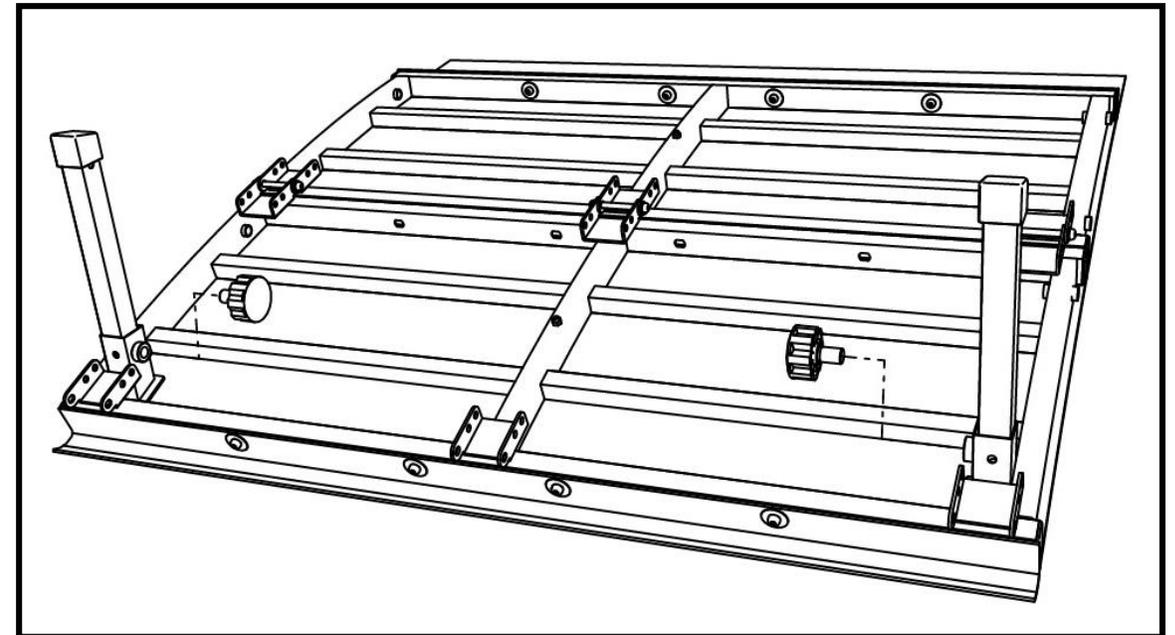
STEP 8

Tighten the legs down with the two knobs by screwing them into the threads of the receivers

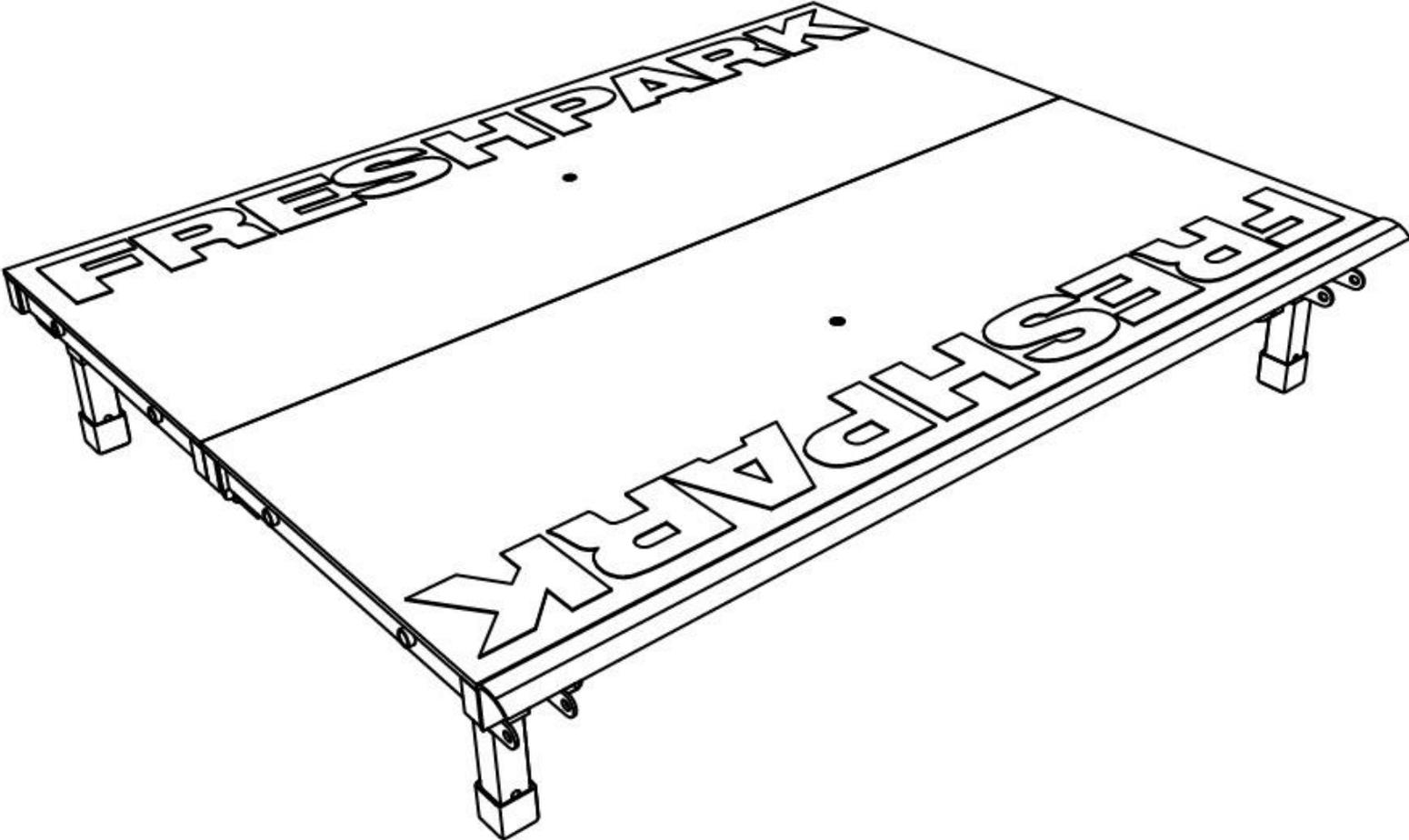


STEP 7

STEP 8



FUNBOX INSTRUCTIONS

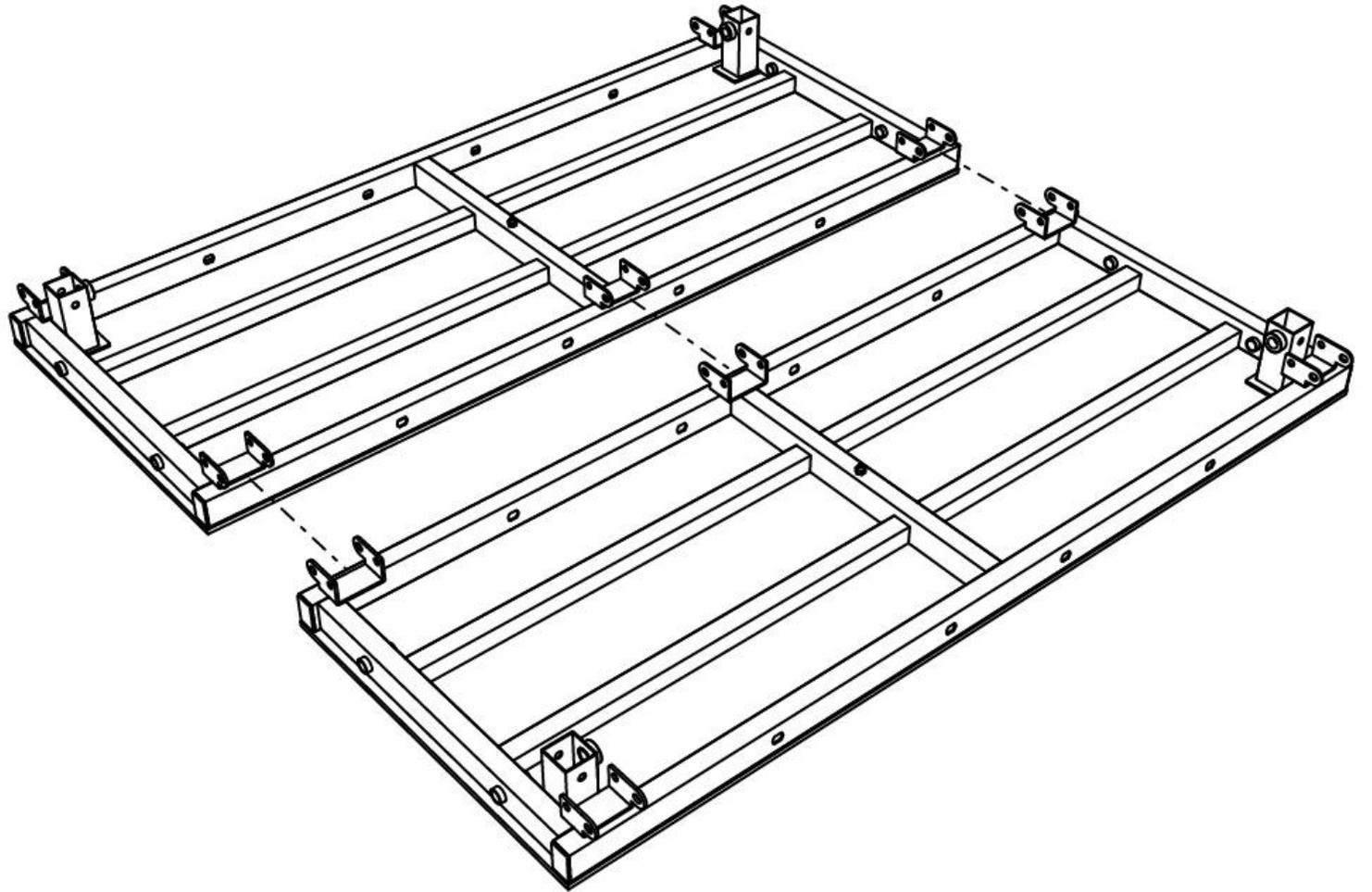


ALIGNING PANELS

STEP 1

Align the two panels with the hinges together

Align the panels so the edges of panels are flush with each other



BOLTING HINGES

STEP 2

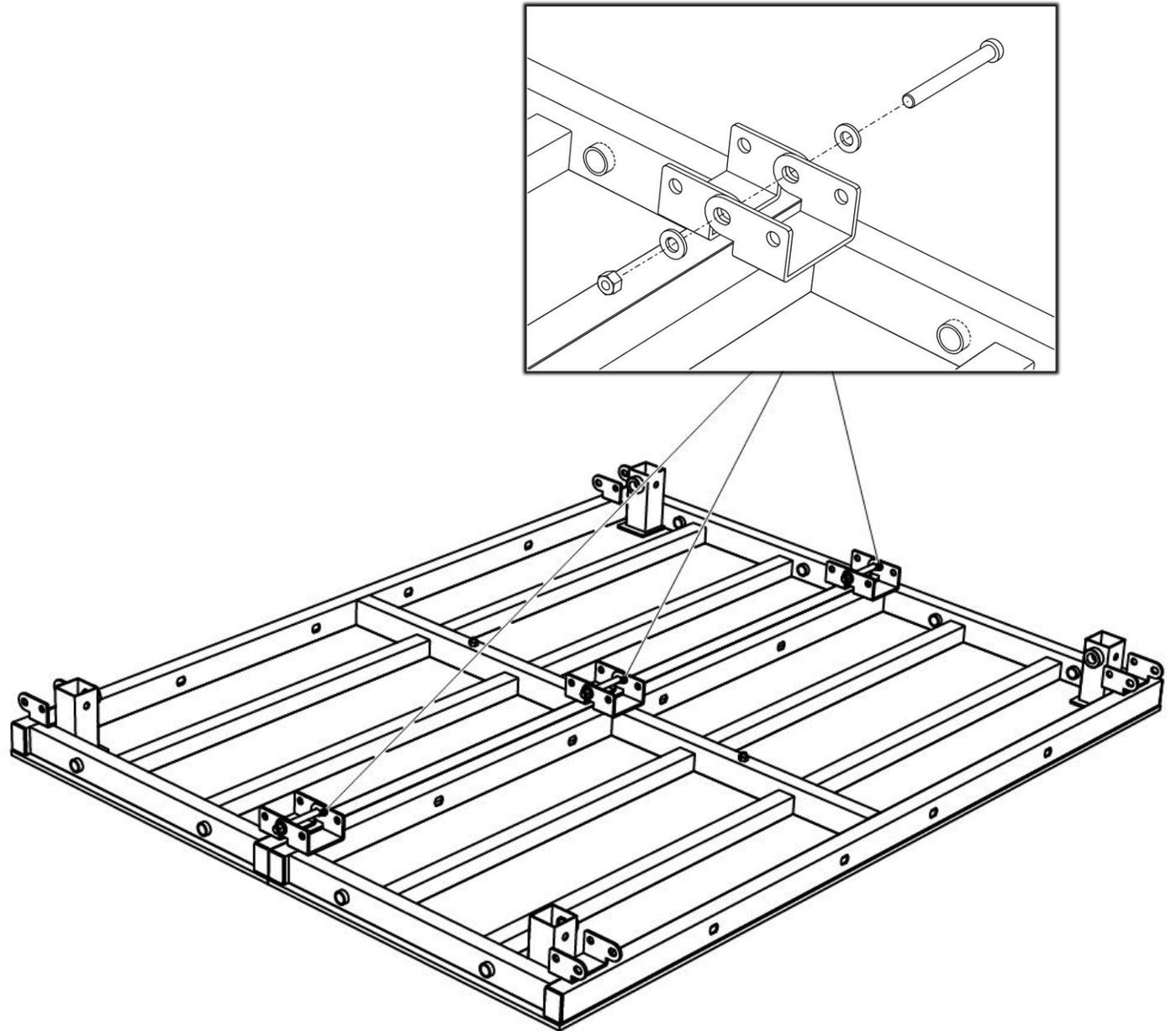
Bolt together the panels using the 3" bolts provided on the 3 hinges

Place a small washer on the 3" bolt and insert it through both hinges

Follow it with a small washer and a lock nut to tighten the hinges together

Caution:

Do not tighten the bolts too tight to allow the hinges to freely move



ATTACHING COPING

STEP 3

Place the coping on the flat side of the funbox so the curved piece will be on the top of the ramp as shown

Align the 4 holes in the coping with the 4 holes in the tubing of the panel

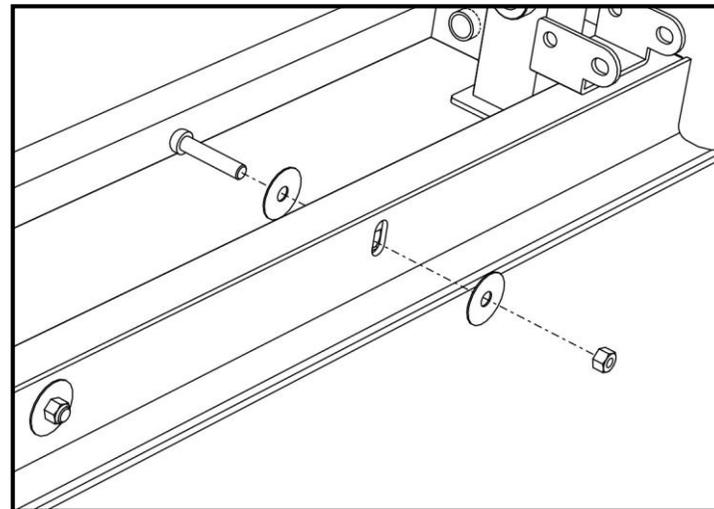
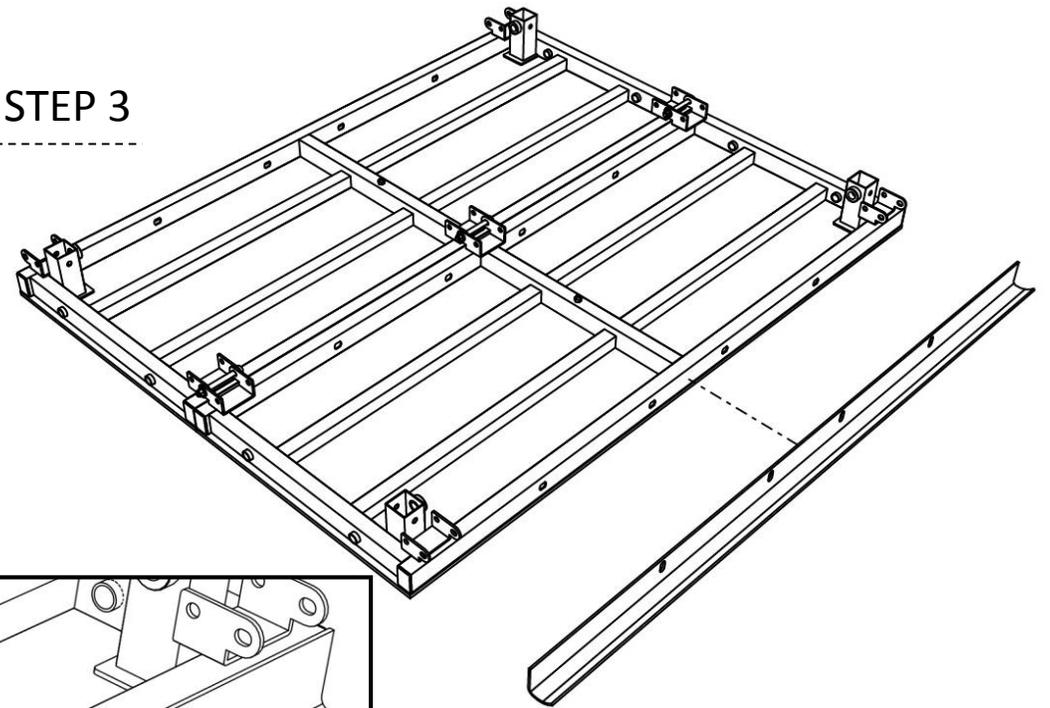
STEP 4

Use the 2" bolts to attach the coping to the funbox

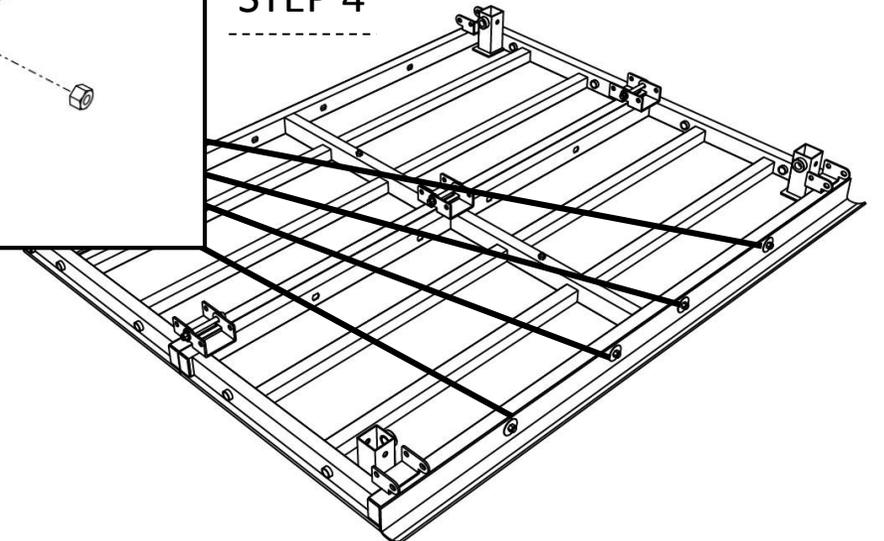
Place a big washer onto the 2" bolt and insert it through the tubing and coping

Follow it with a big washer and a lock nut to tighten the coping to the funbox

STEP 3



STEP 4



INSERTING LEGS

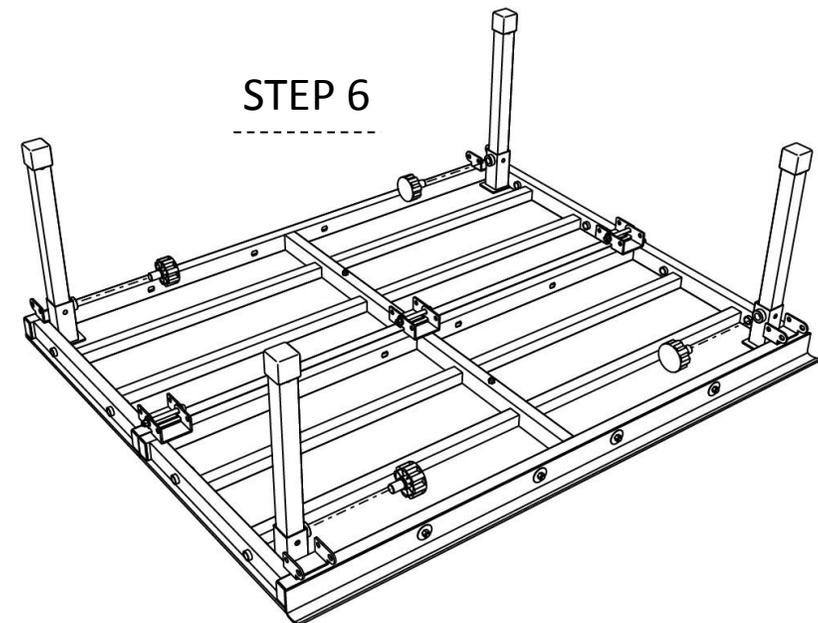
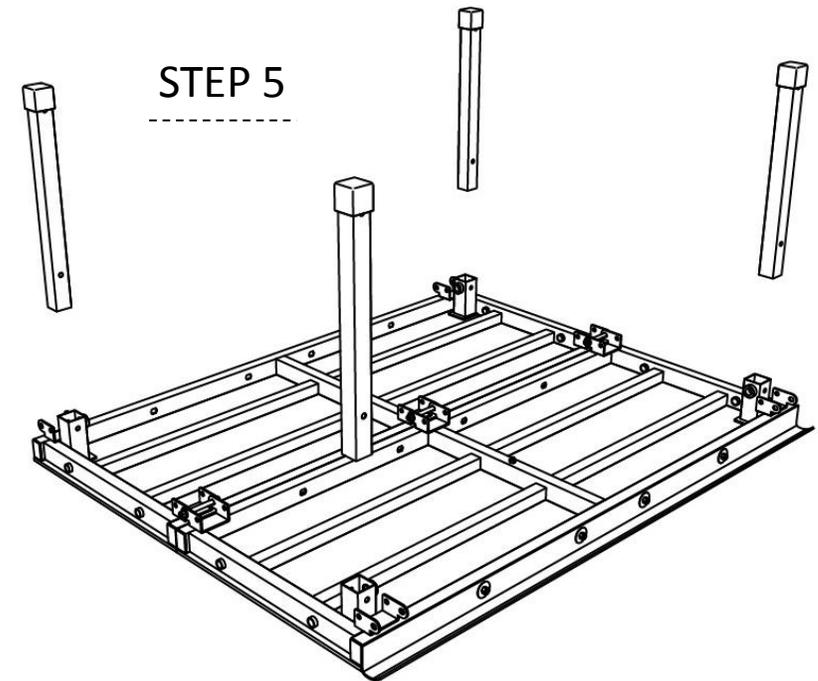
STEP 5

Insert the desired height legs you want to use into the 4 receivers of the funbox

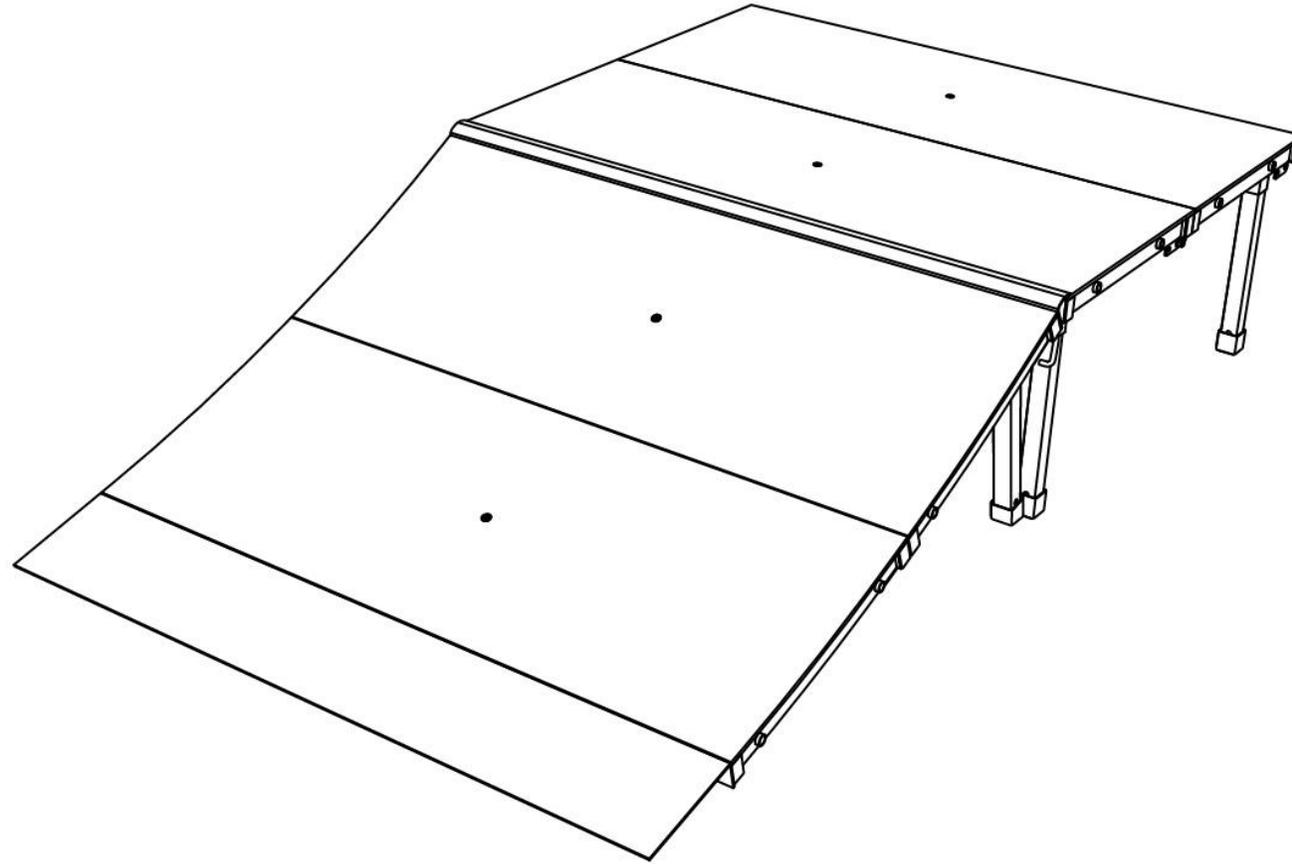
STEP 6

Use the 4 knobs provided to screw into the receivers to lock the legs into place

Flip the funbox over onto its legs when they are secure



LINKING FUNBOX WITH LAUNCH RAMP



ALIGNING RAMPS

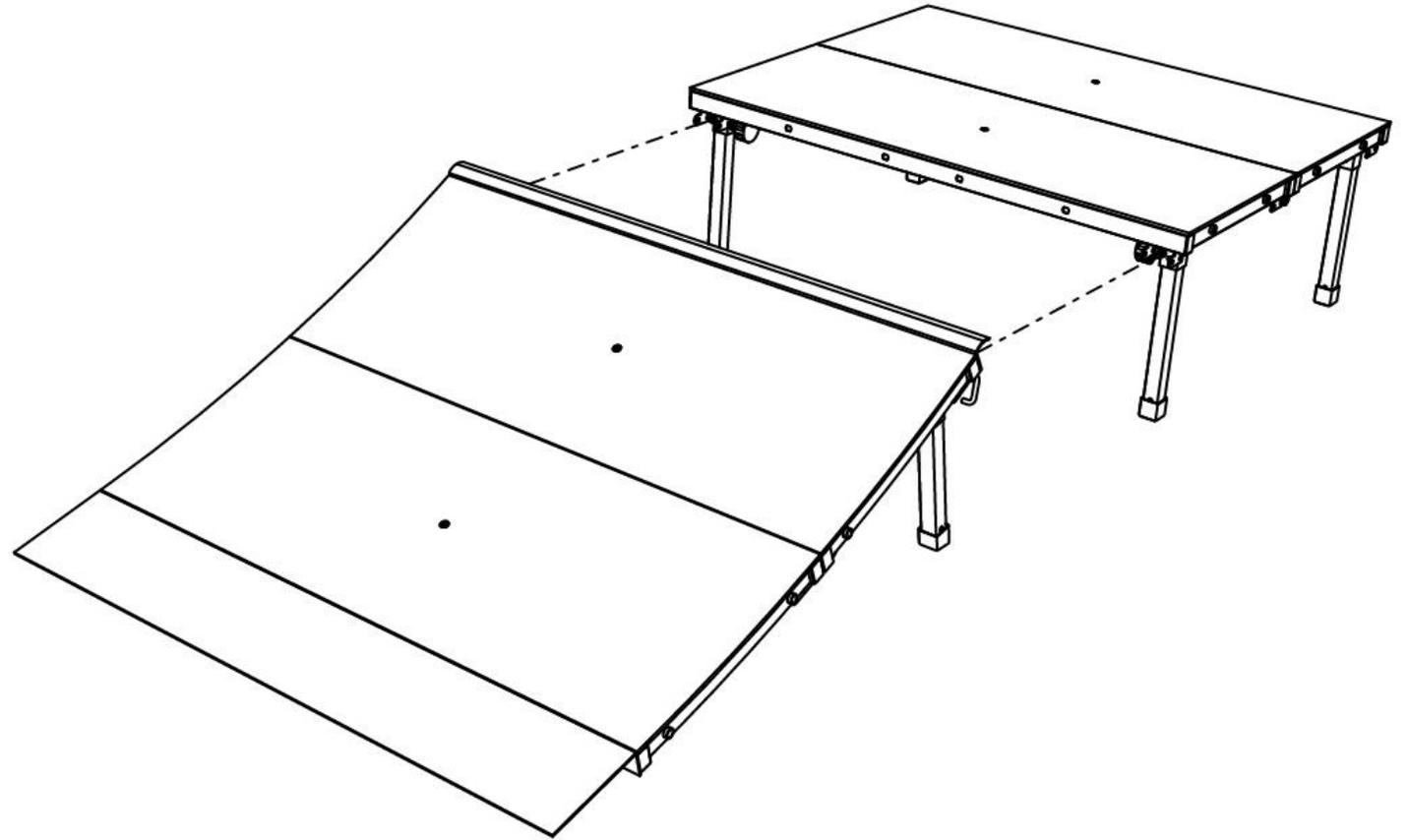
STEP 1

Align the two ramps together so the hinges are facing each other

Bring them together so the hinges on each side meet

Align the hinges so the sides of the ramp are flush with each other

Place the coping of the launch ramp onto the coping of the funbox or align the launch ramps coping so it is flush with the top of the funbox

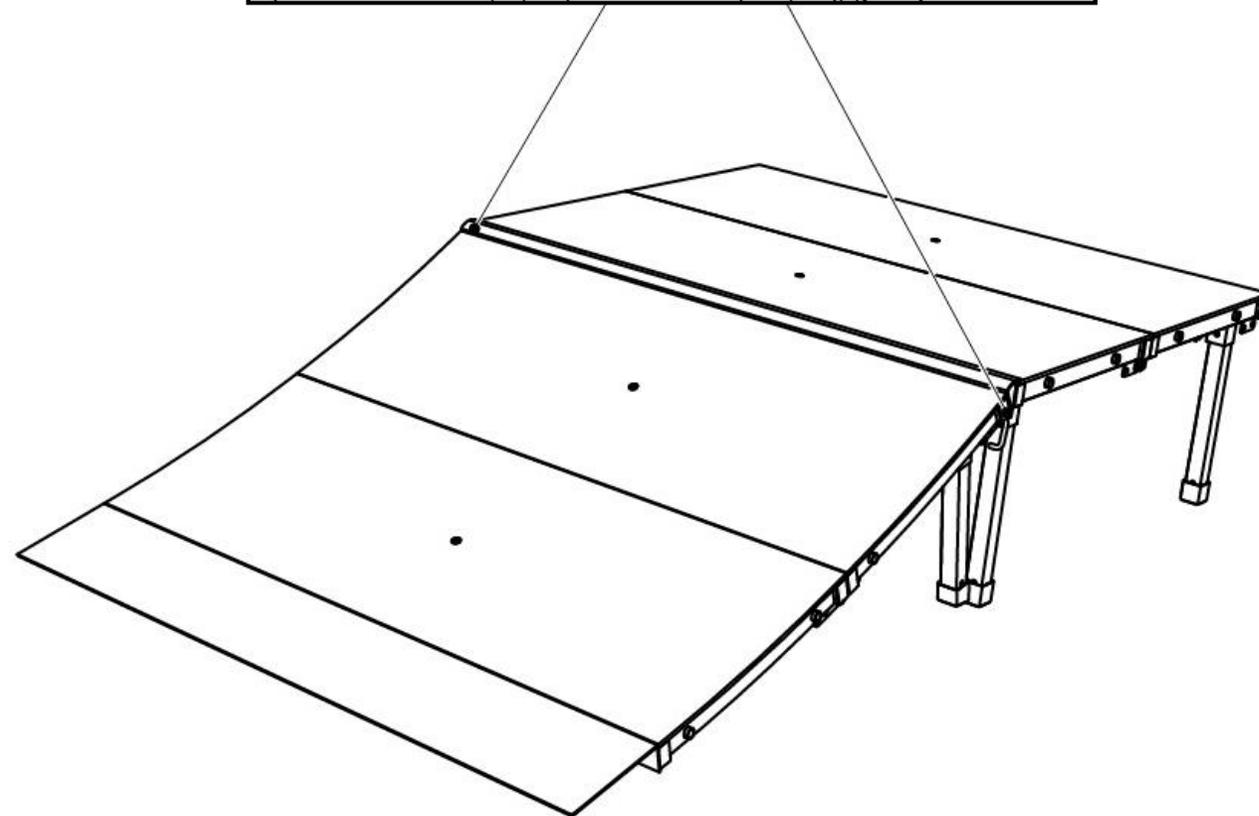
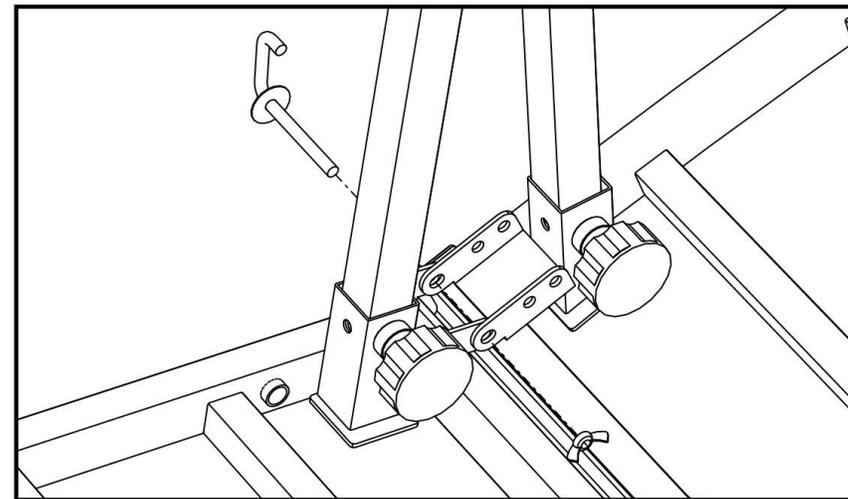


BOLTING RAMPS

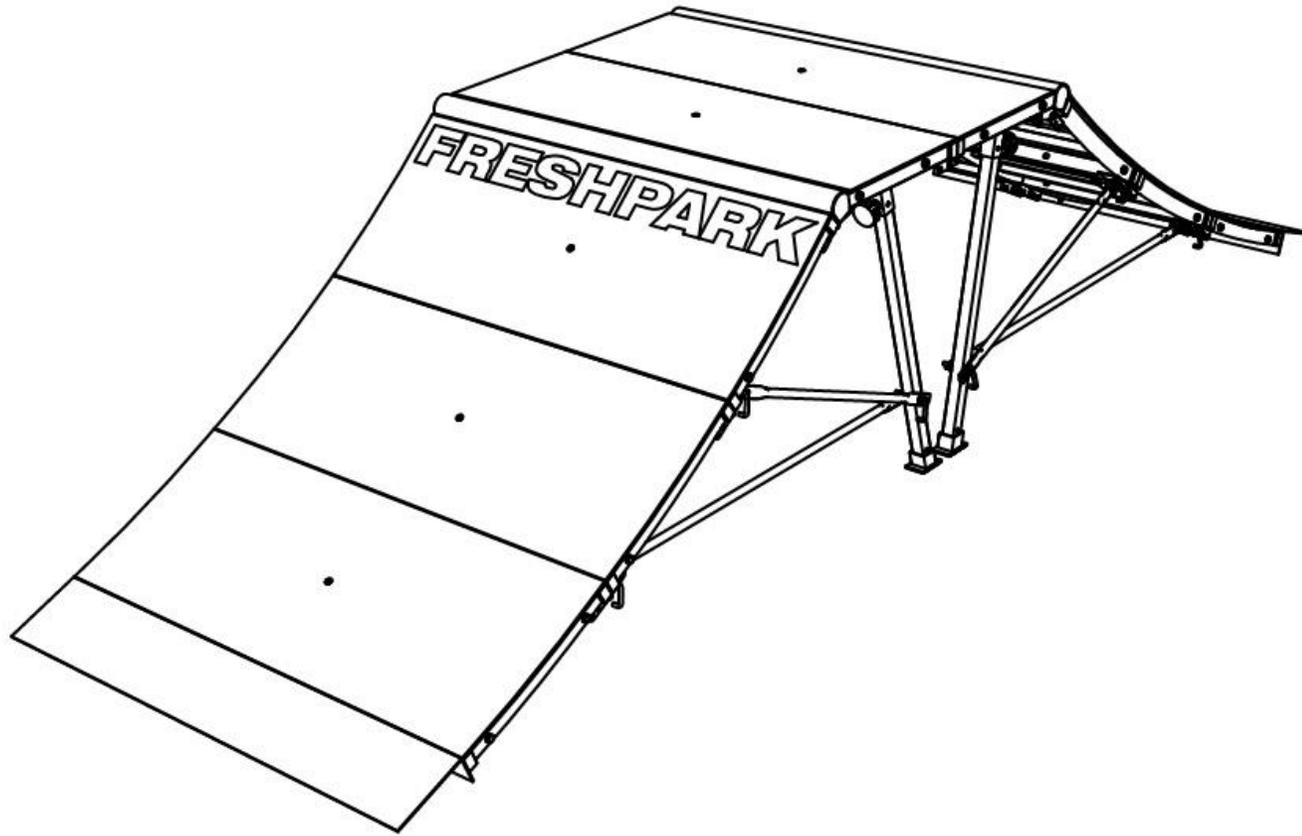
STEP 2

Bolt the ramps together using J-bolts on both hinges

Place a big washer on a J-bolt and slide it through both hinges and use a wing nut on the other side to tighten the ramps together



QUARTERPIPE BACK TO BACK

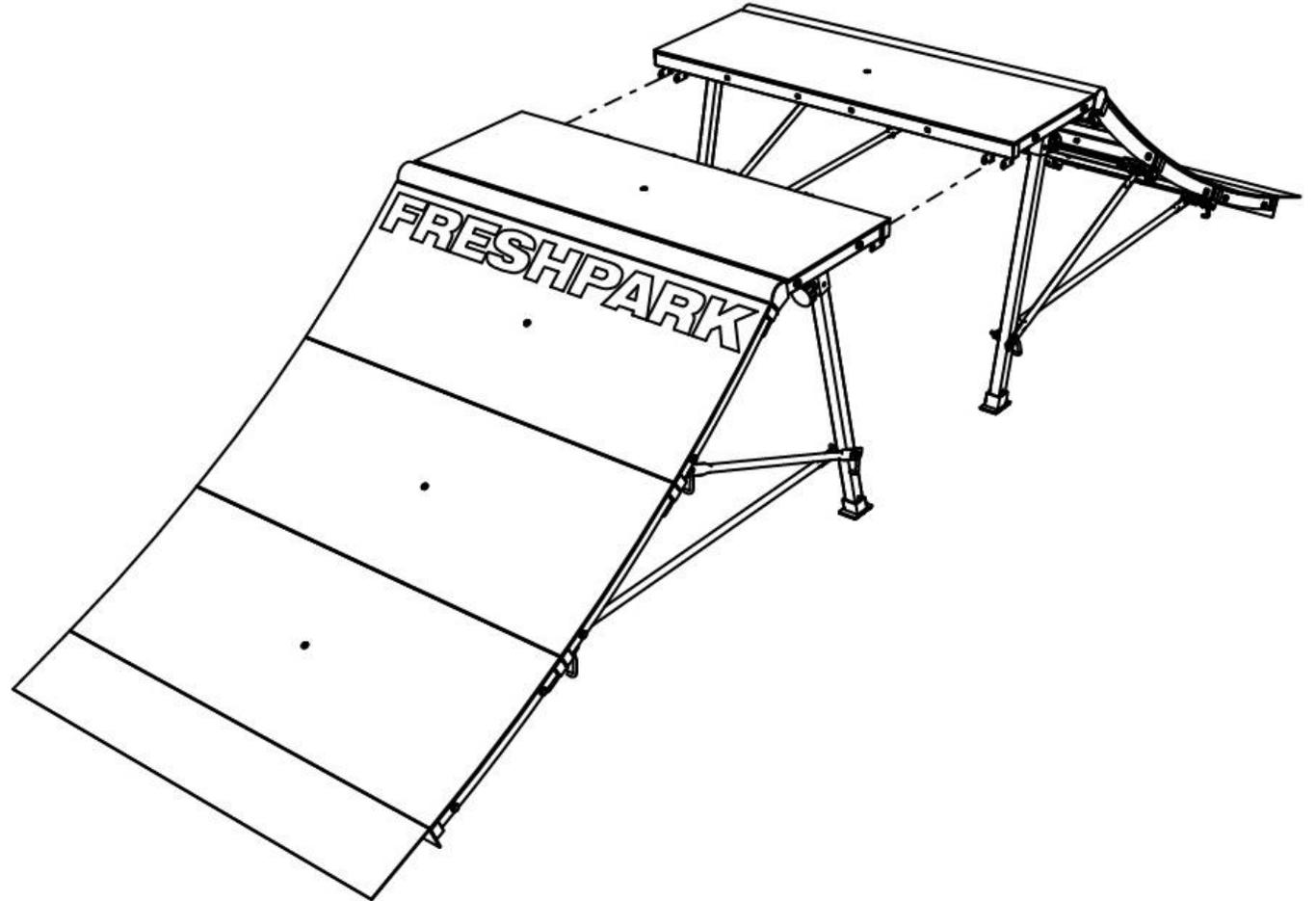


ALIGNING RAMPS

STEP 1

Align the 2 hinges together on each side of the ramps

Position the hinges so the sides of the ramp are flush with each other

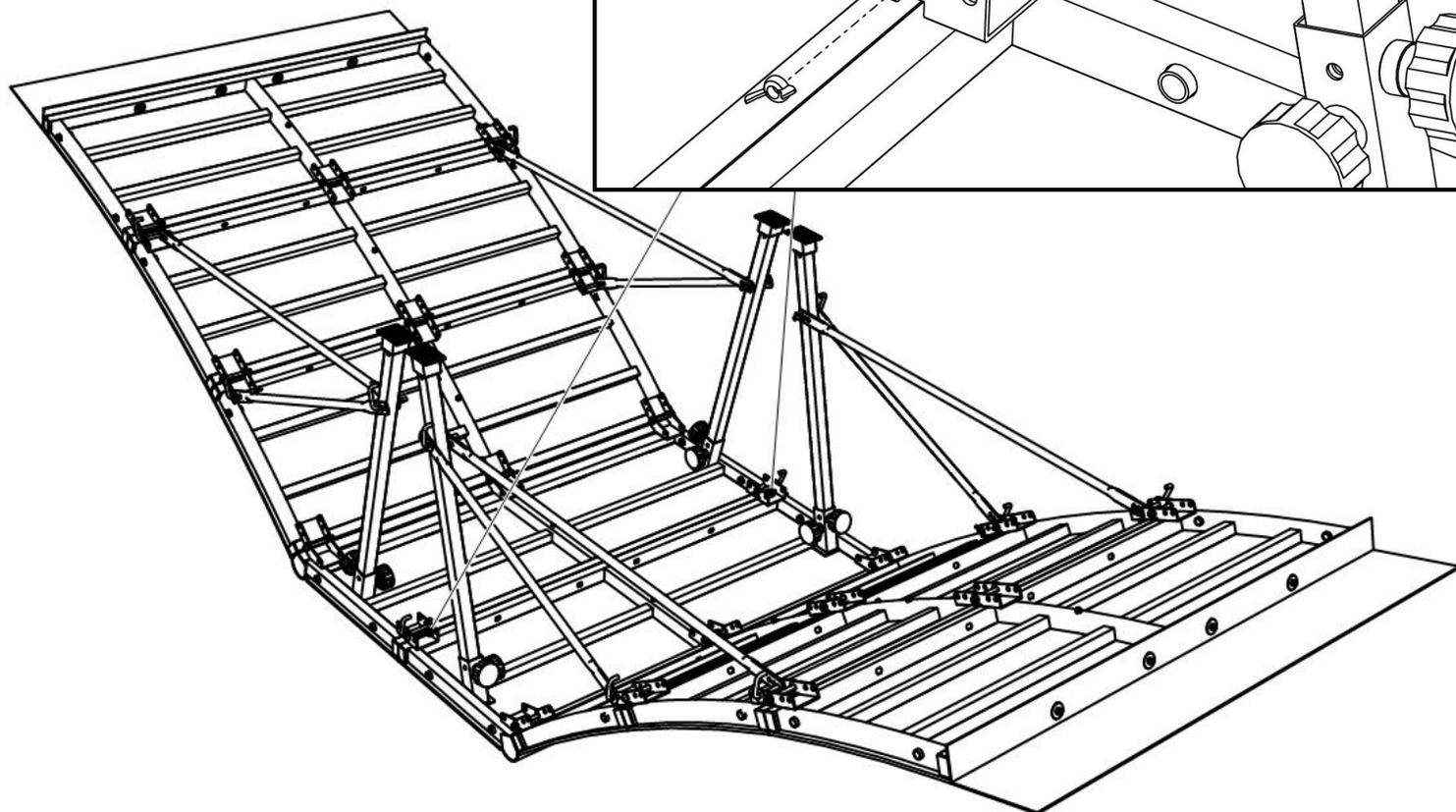


BOLTING RAMPS

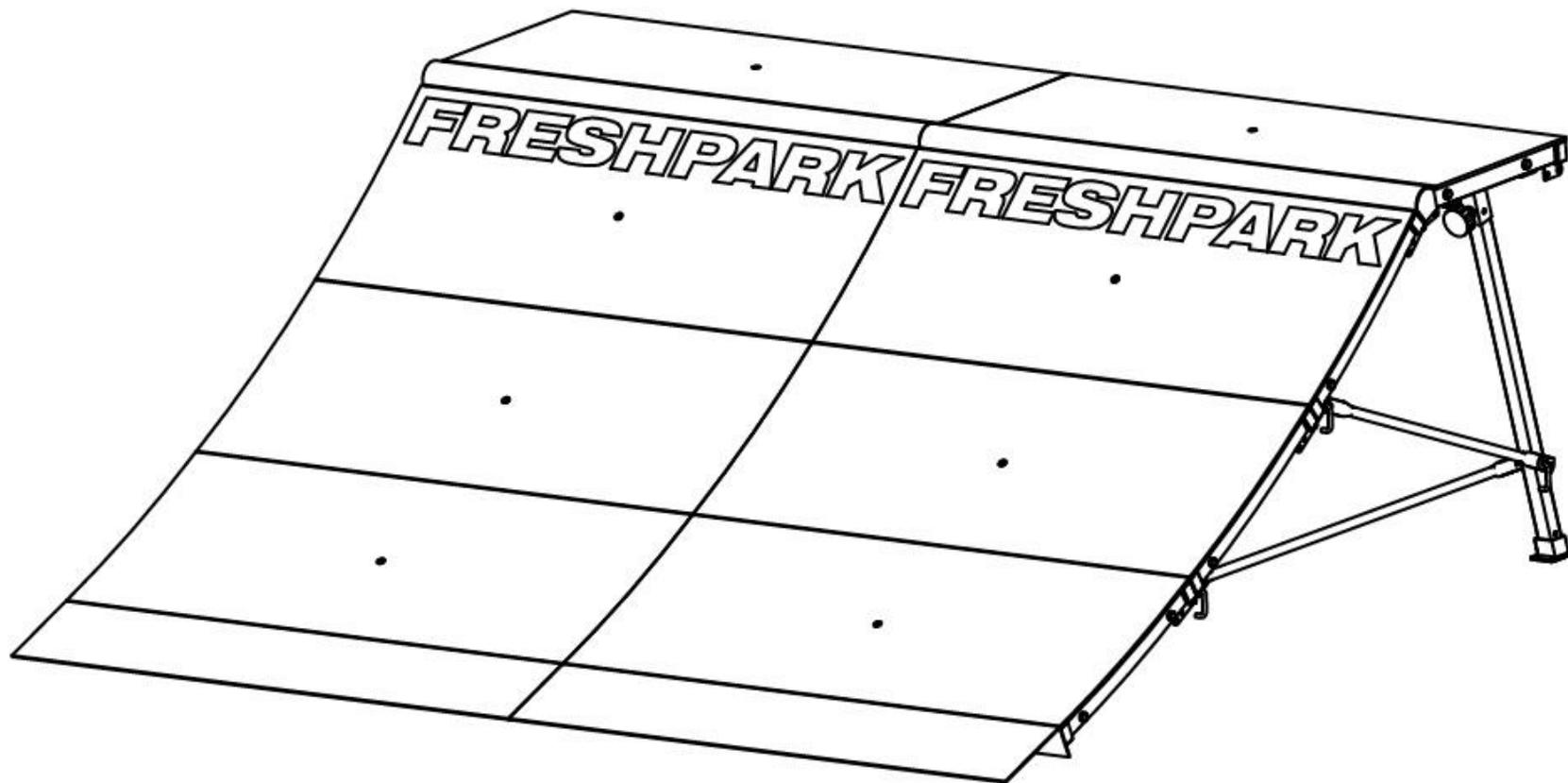
STEP 2

Bolt the ramps together using J-bolts on both hinges

Place a big washer on a J-bolt and slide it through both hinges and use a wing nut on the other side to tighten the ramps together



QUARTERPIPE SIDE TO SIDE

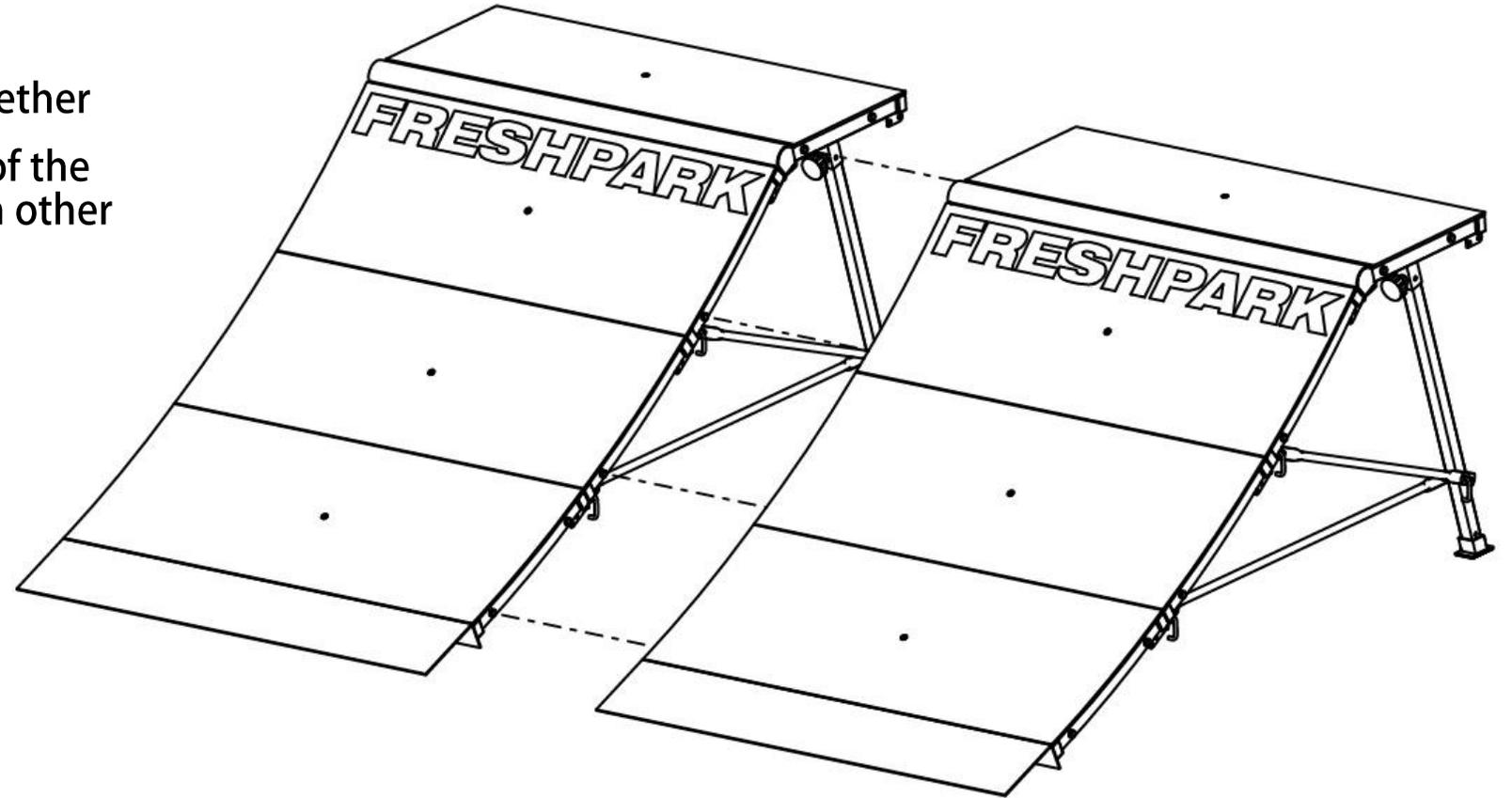


ALIGNING RAMPS

STEP 1

Align the sides of the ramps together

Position the tubes on the sides of the ramp so they are flush with each other

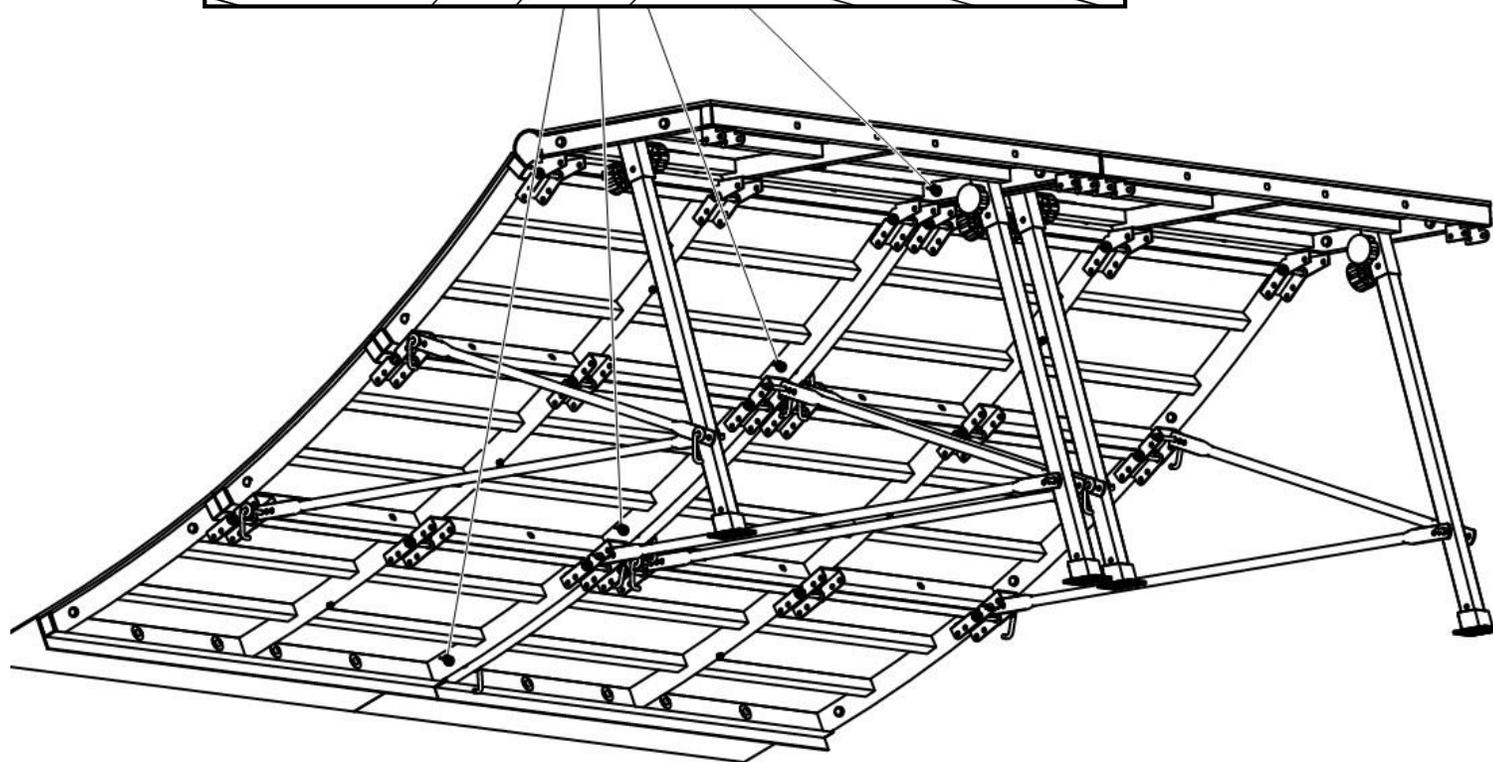
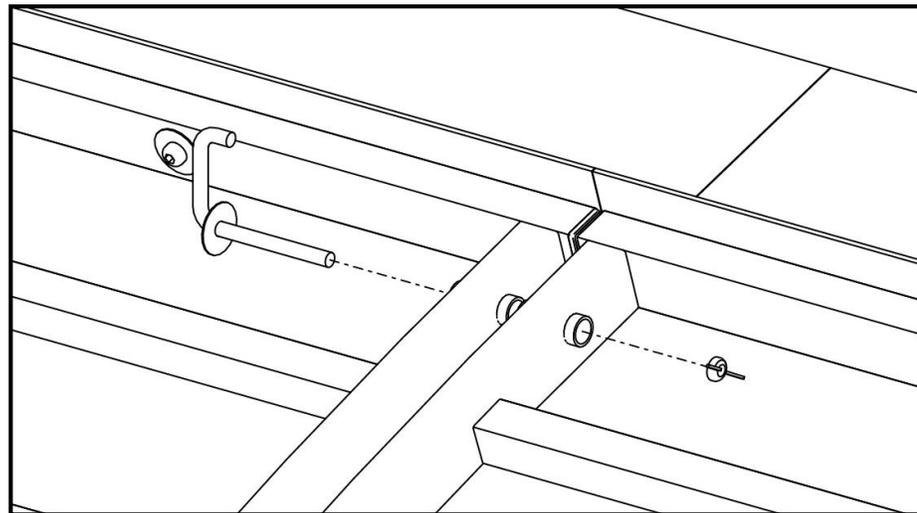


BOLTING RAMPS

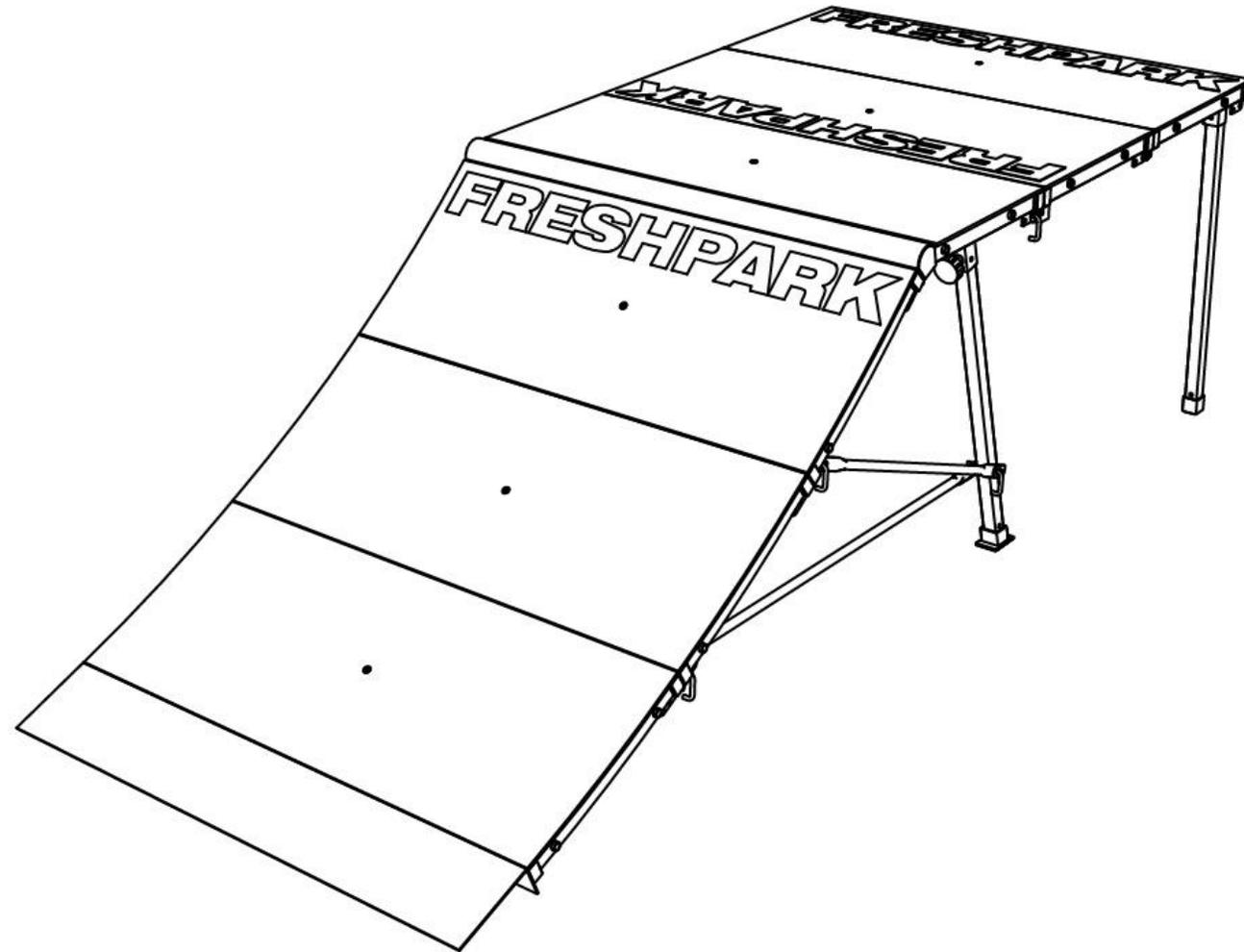
STEP 2

Bolt the ramps together using the big J-bolts on the 4 tubes shown

Place a big washer on a J-bolt and slide it through both tubes and use a wing nut on the other side to tighten the ramps together



QUARTER PIPE FUNBOX EXTENSION

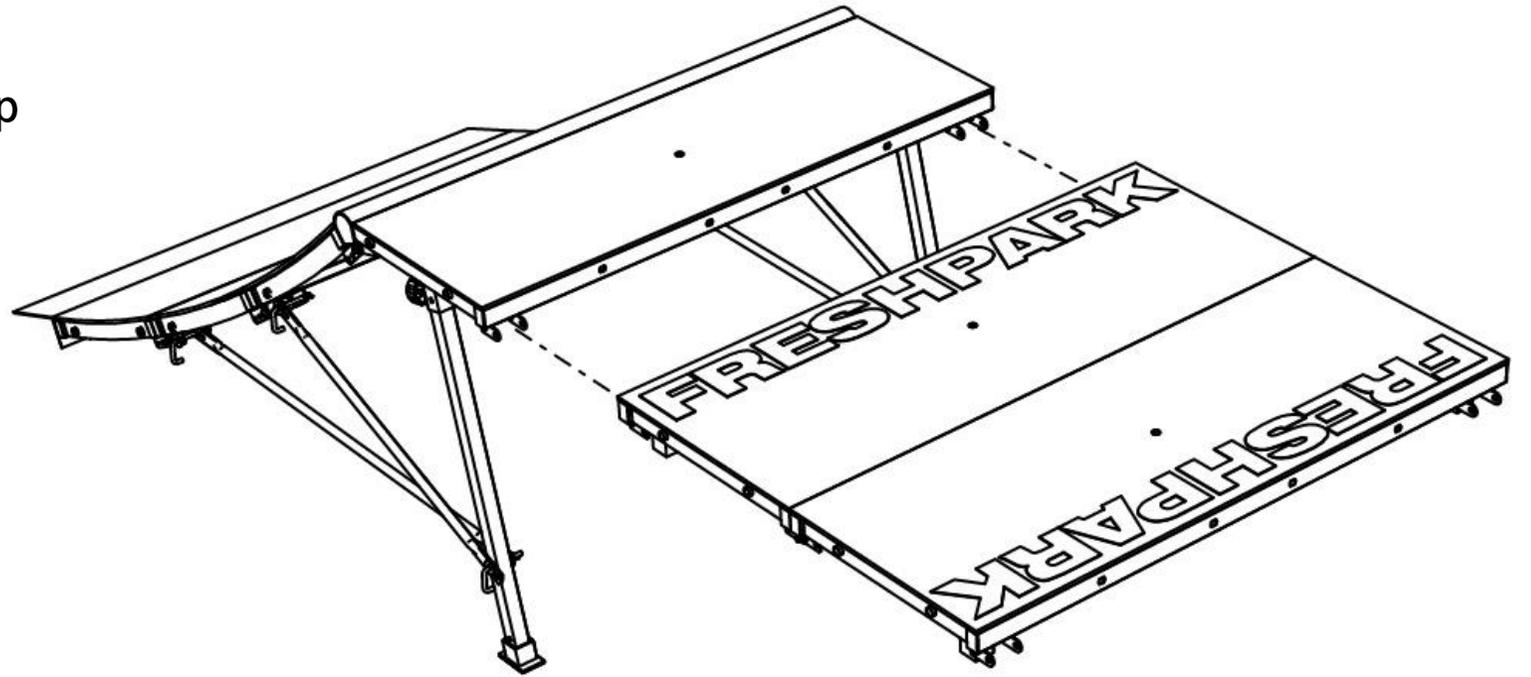


BOLTING HINGE

STEP 1

Align the hinges on the funbox with the hinges on the back of the quarter pipe

Align the hinges so the sides of the ramp are flush with each other

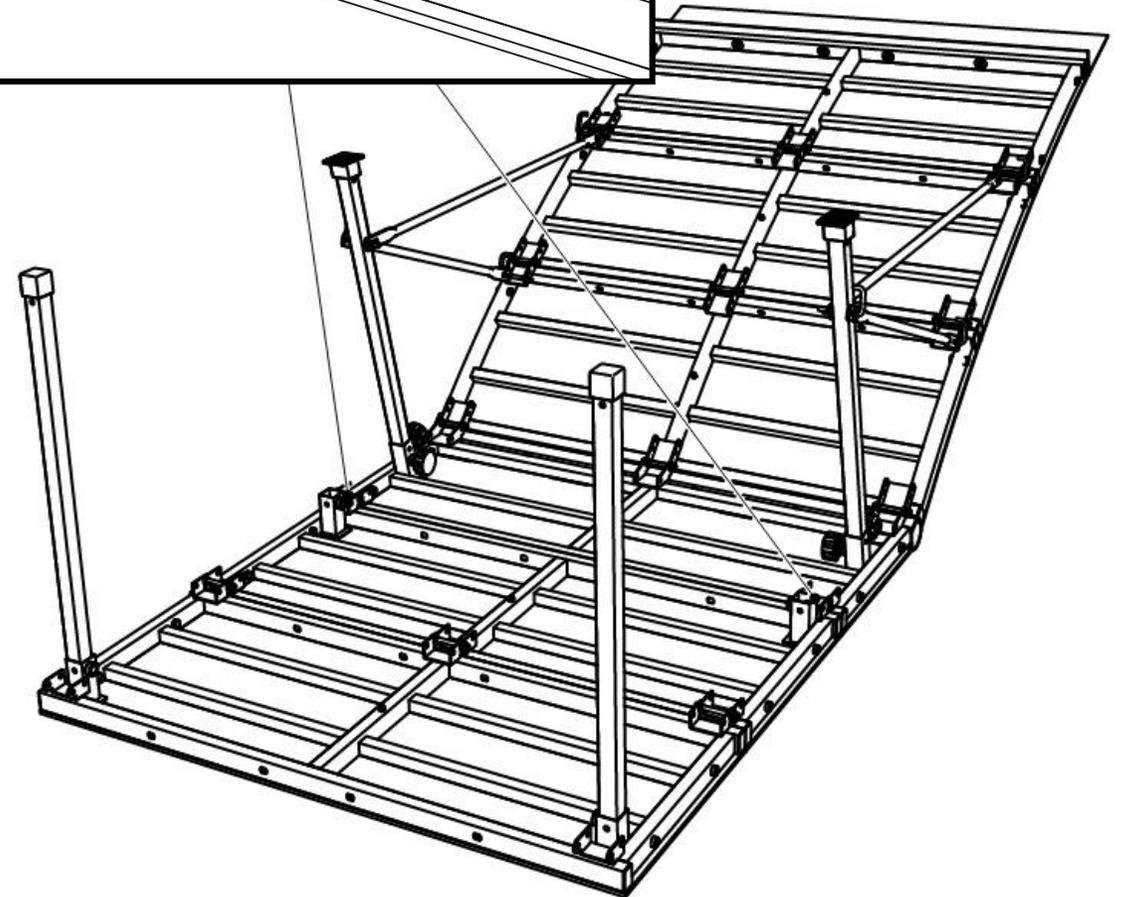
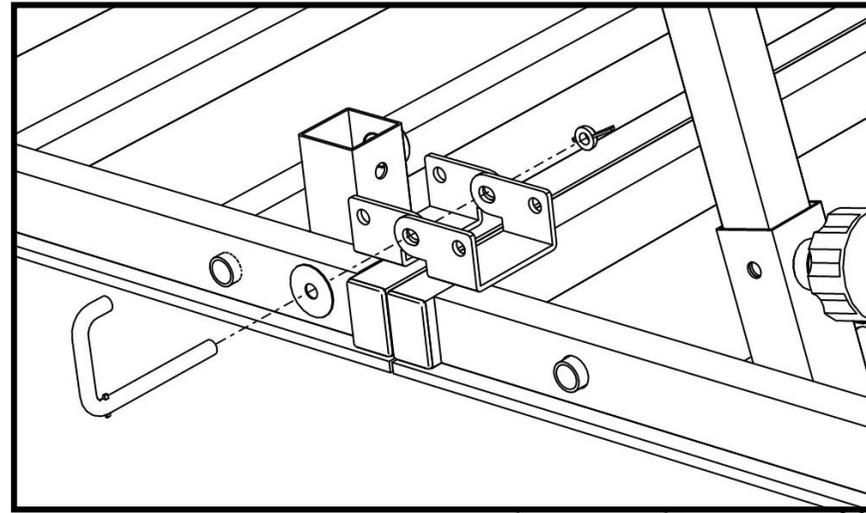


BOLTING HINGE

STEP 2

Bolt the ramps together using J-bolts on both hinges

Place a big washer on a J-bolt and slide it through both hinges and use a wing nut on the other side to tighten the ramps together

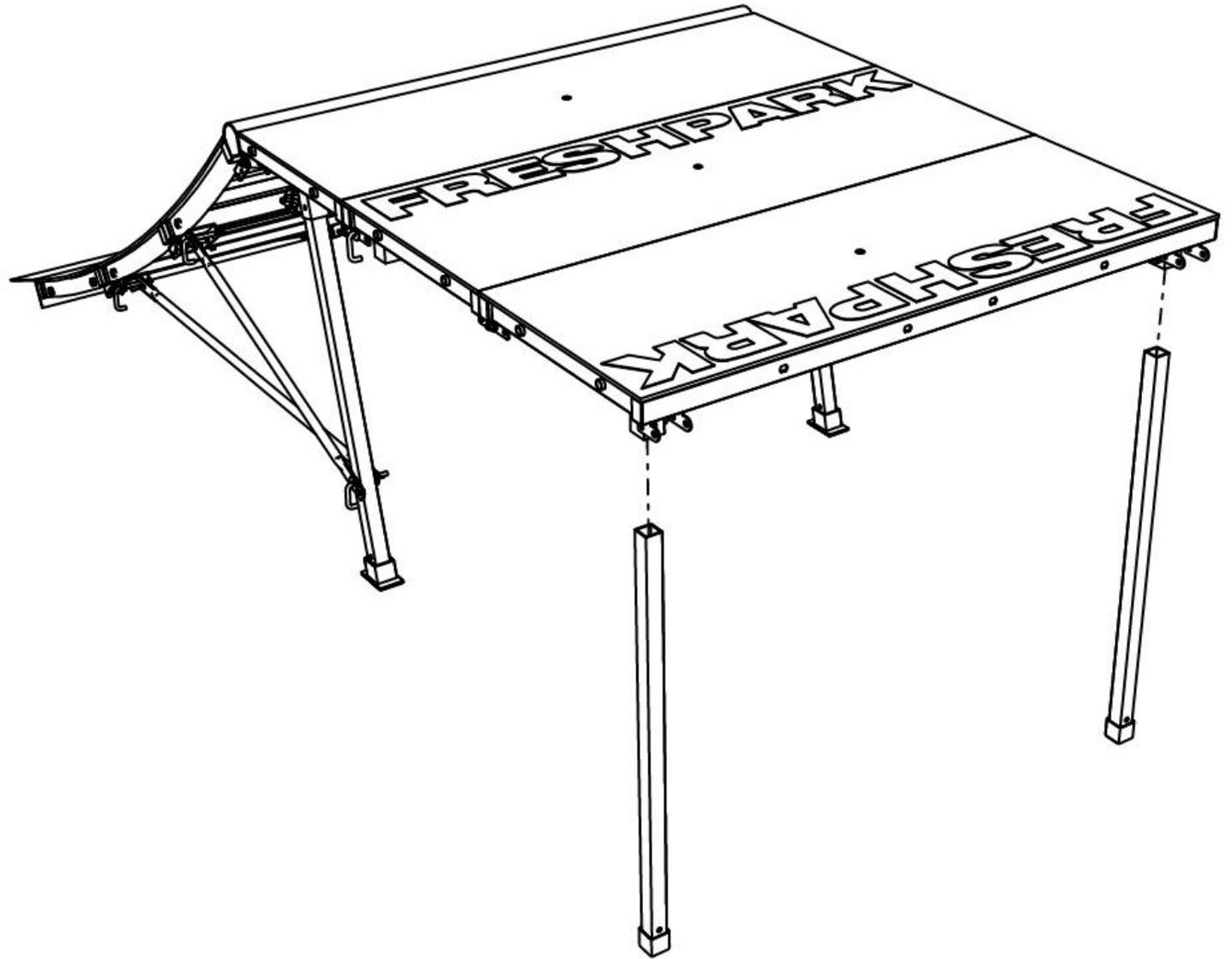


INSERTING LEGS

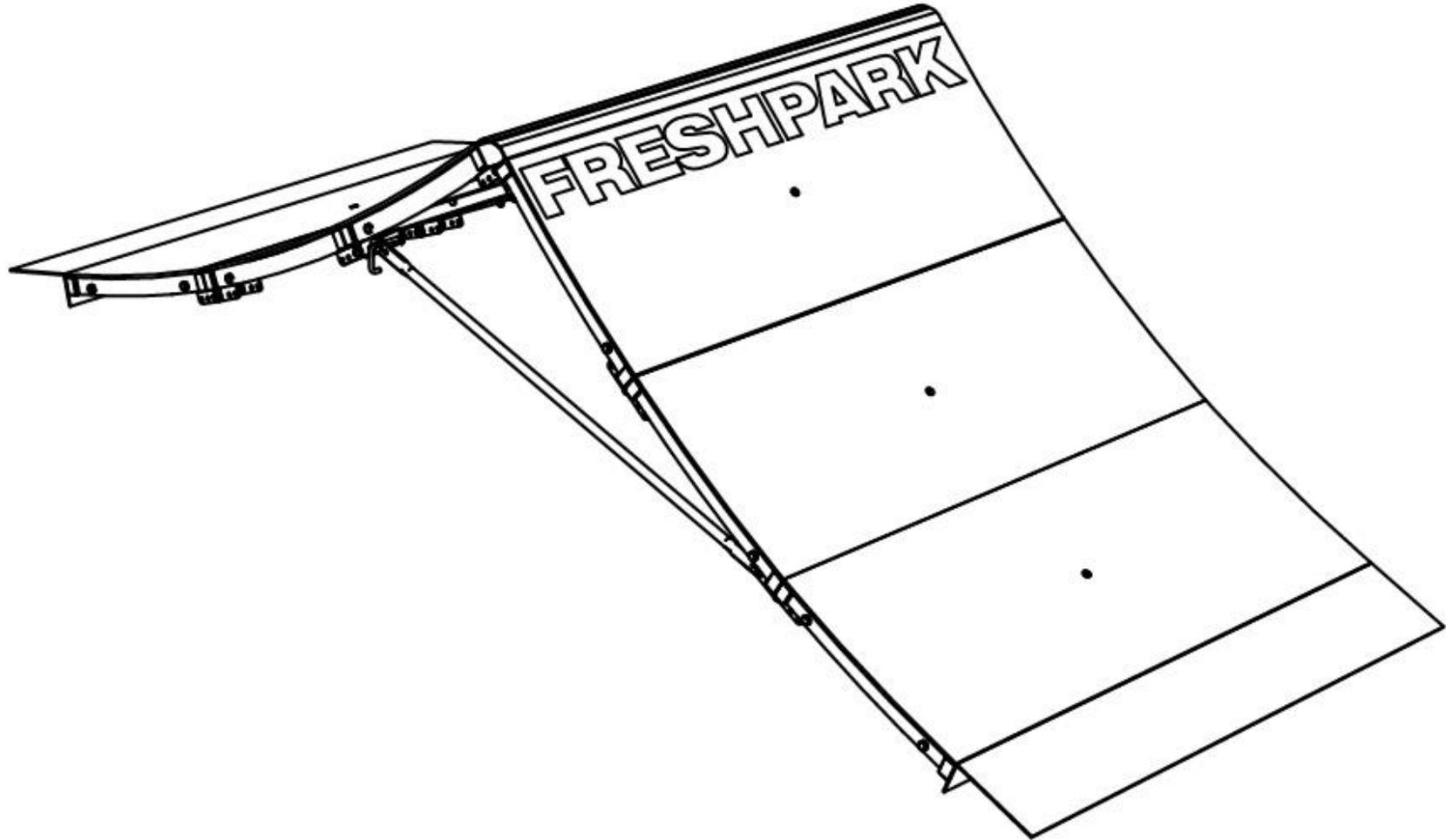
STEP 3

Insert the legs into the back receivers of the funbox

Use the knobs to screw into the receivers and tighten them into place



QUARTERPIPE SPINE

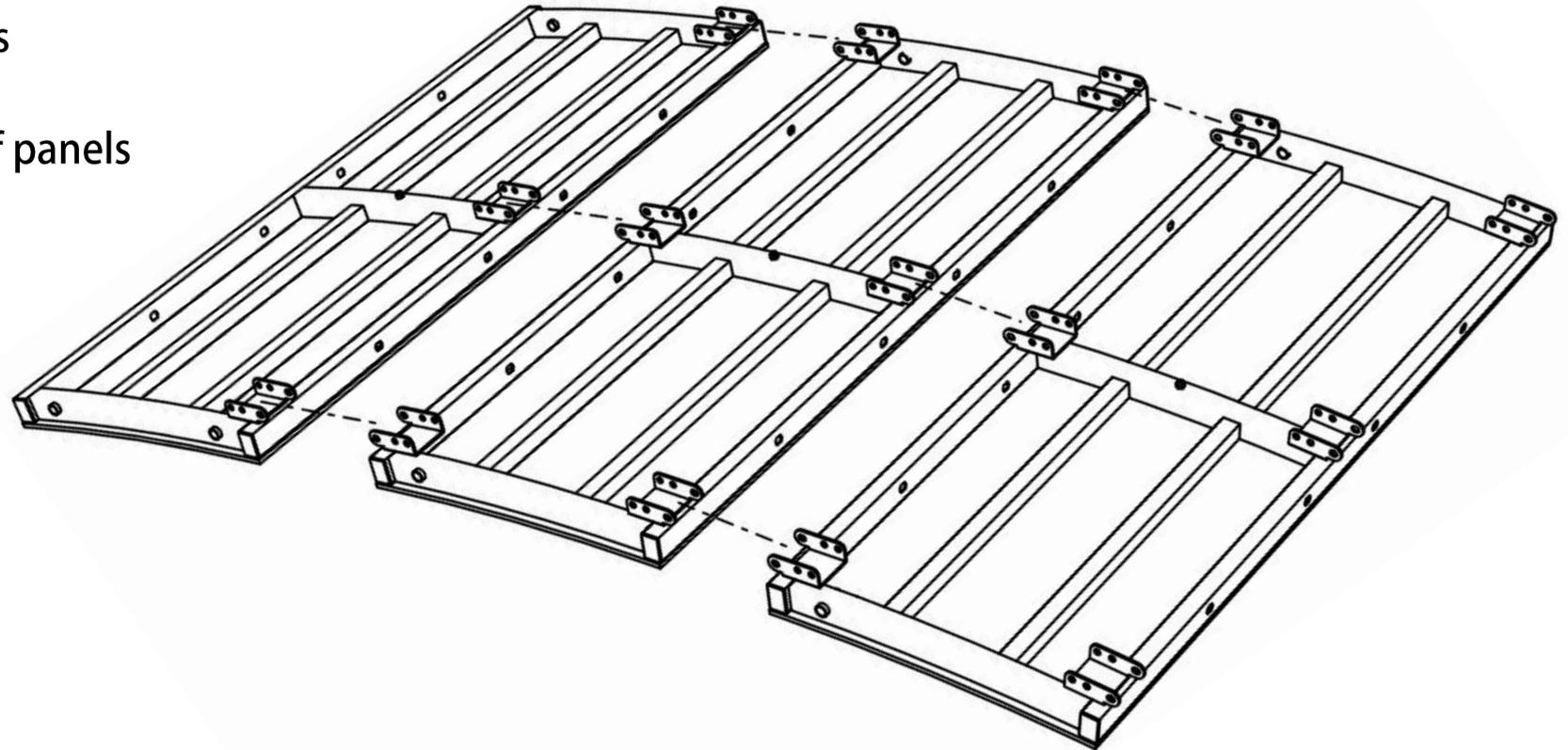


ALIGNING PANELS

STEP 1

Align the panels with the hinges together

Align the panels so the edges of panels are flush with each other



BOLTING HINGES

STEP 2

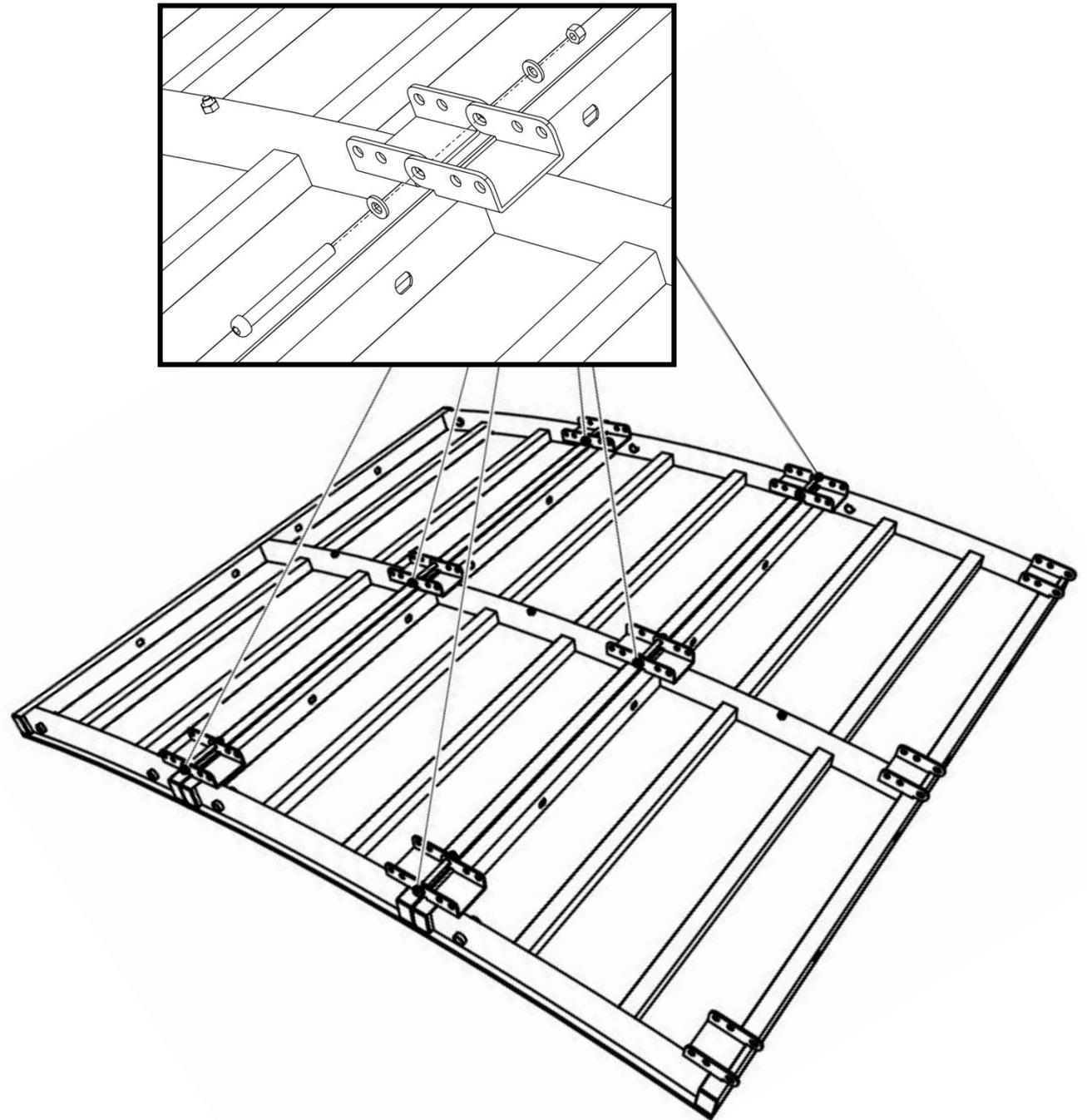
Bolt together the panels using the 3" bolts provided on the hinges

Place a small washer on the 3" bolt and insert it through both hinges

Follow it with a small washer and a lock nut to tighten the hinges together

Caution:

Do not tighten the bolts too tight to allow the hinges to freely move

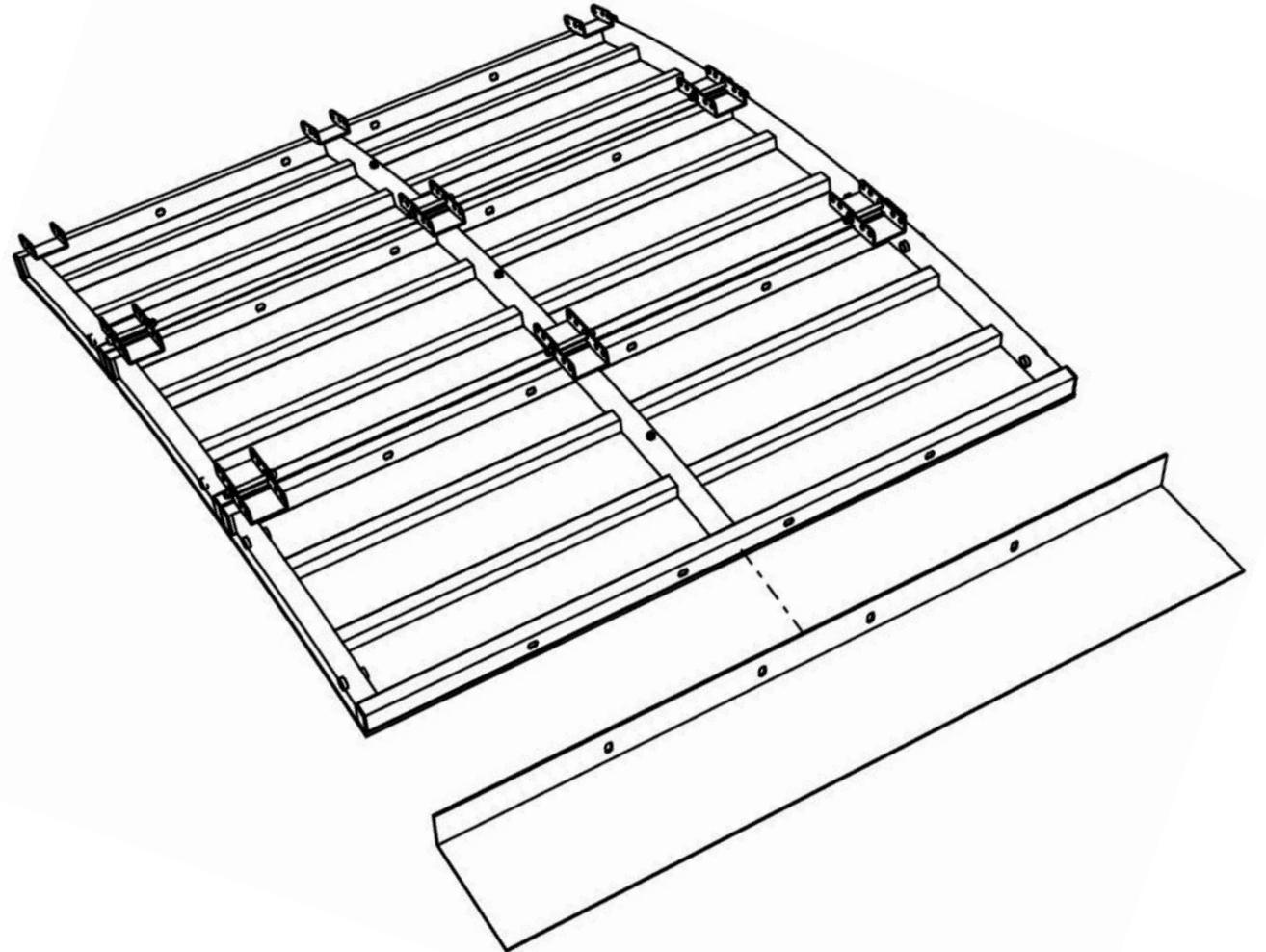


TOE PIECE

STEP 3

Place the toe piece on the flat side of the bottom panel

Align the 4 holes in the coping with the 4 holes in the tubing of the panel



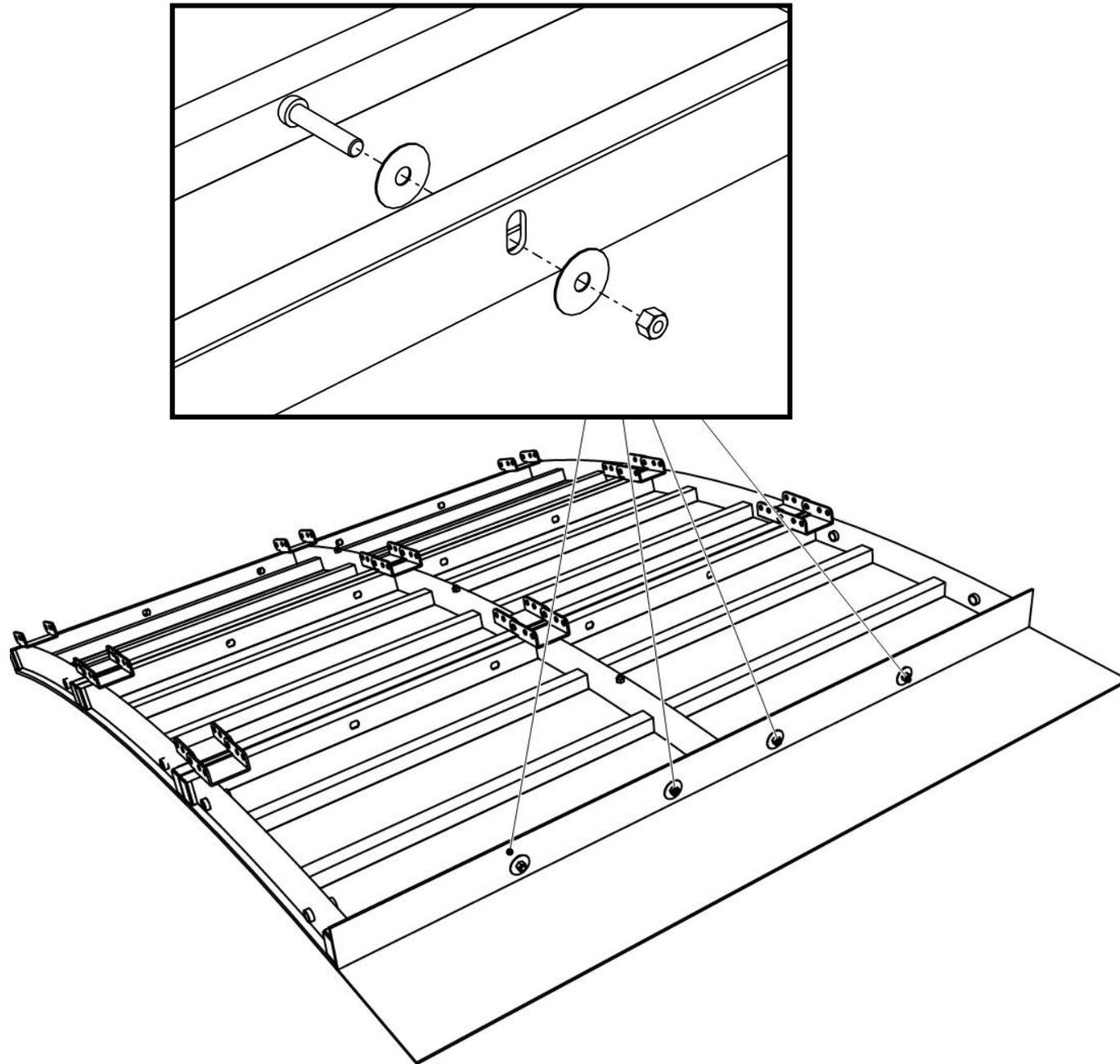
TOE PIECE

STEP 4

Use the 2" bolts to attach the toe piece to the bottom panel

Place a big washer onto the 2" bolt and insert it through the toe piece and tubing

Follow it with a big washer and a lock nut to tighten the toe piece to the launch ramp

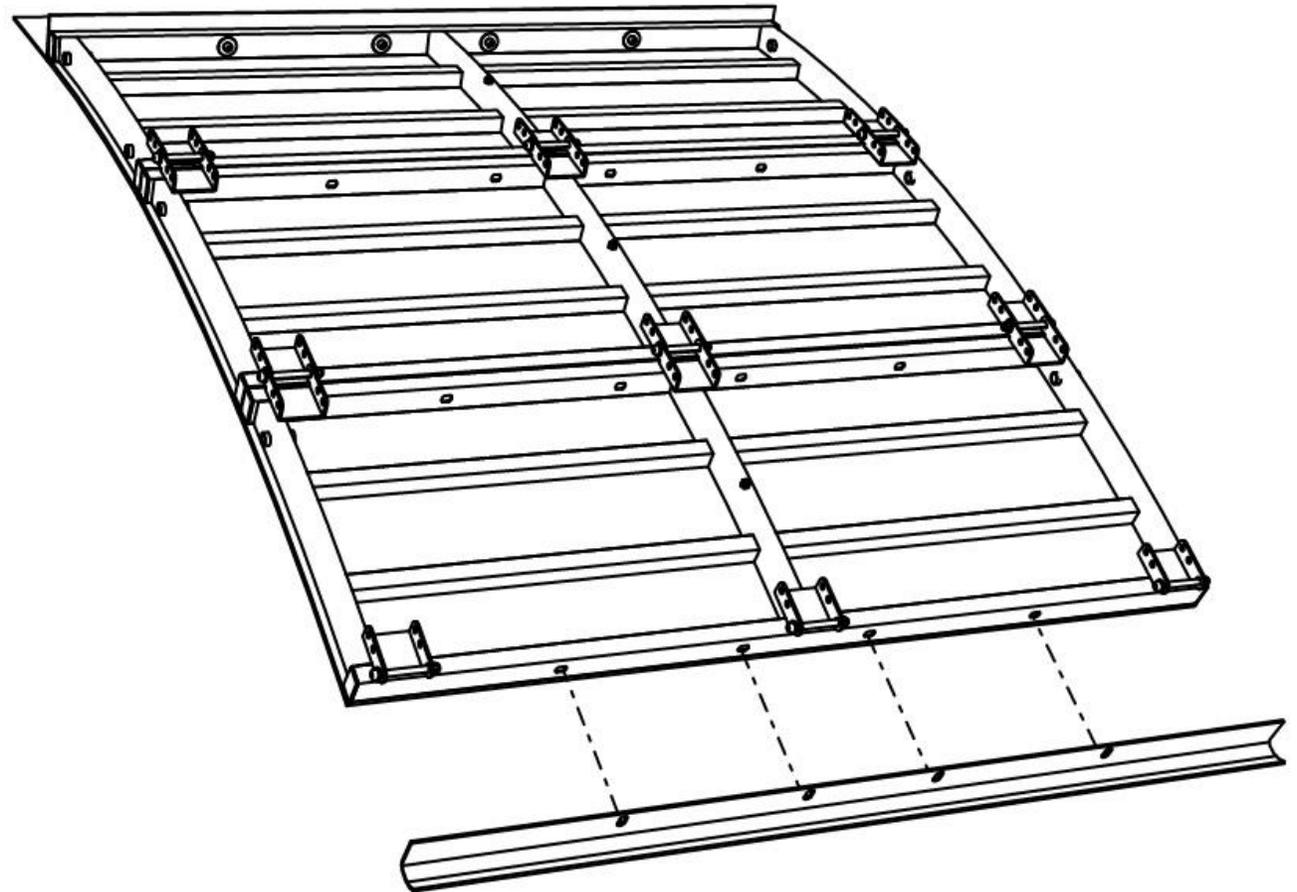


COPING

STEP 5

Place the coping on the flat side of the ramp so the curved piece will be on the top of the ramp as shown

Align the 4 holes in the coping with the 4 holes in the tubing of the panel



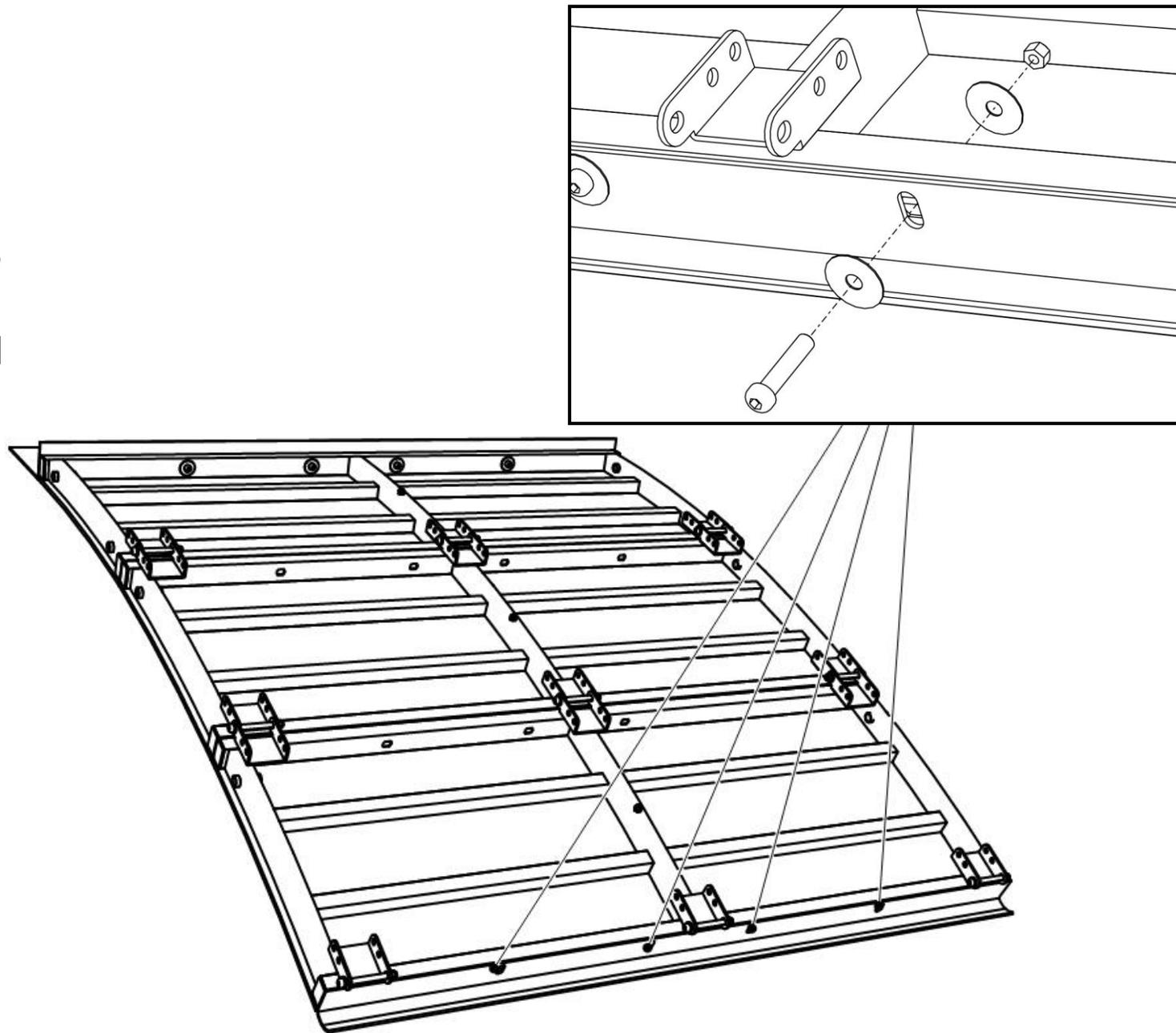
COPING

STEP 6

Use the 2" bolts to attach the coping to the ramp

Place a big washer onto the 2" bolt and insert it through the tubing and coping

Follow it with a big washer and a lock nut to tighten the coping to the ramp



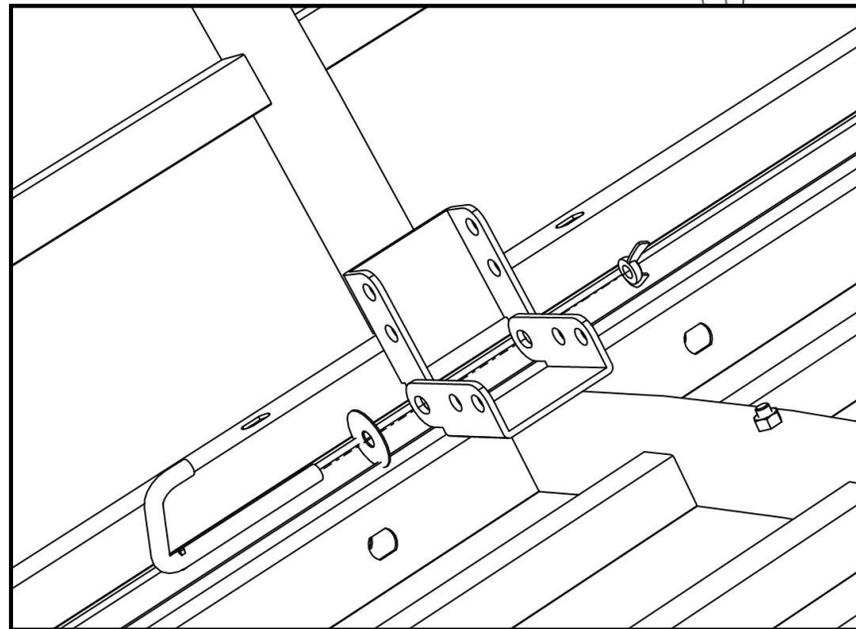
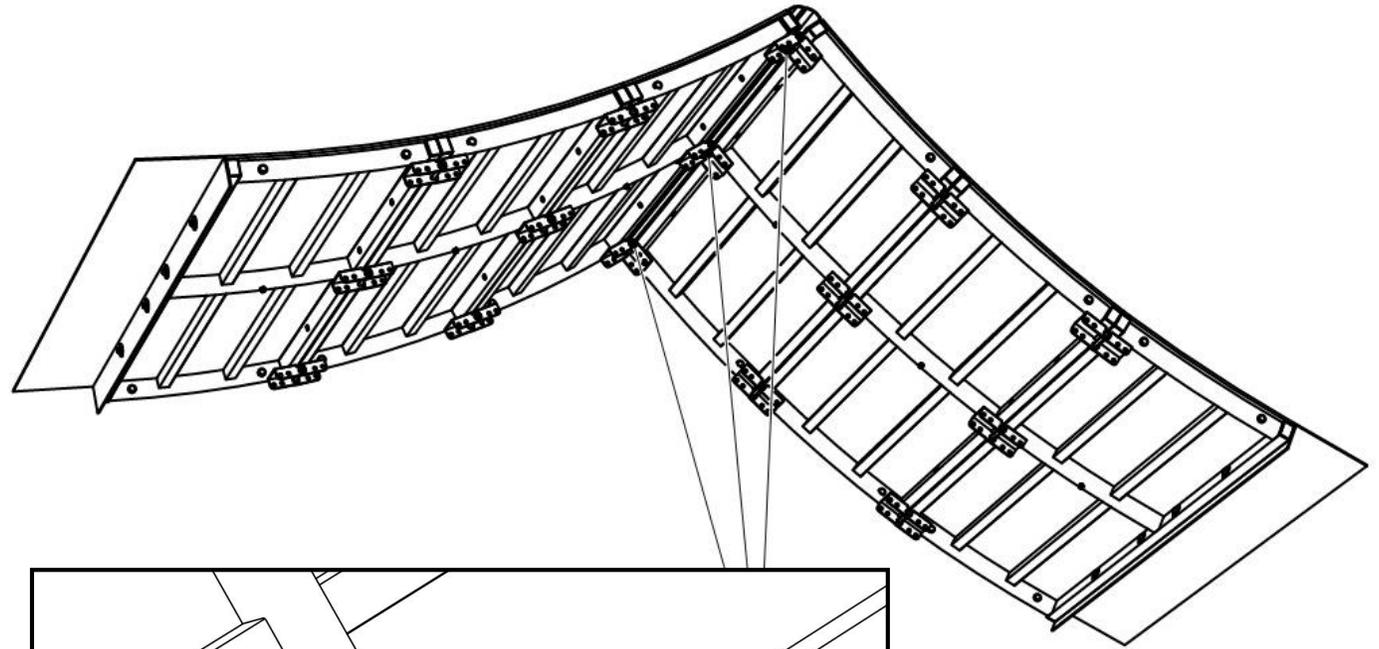
BOLTING HINGES

STEP 7

Bolt together the ramps using J-bolts

Place a big washer on the J-bolt and insert it through both hinges

Follow it with a wing nut to tighten the hinges together



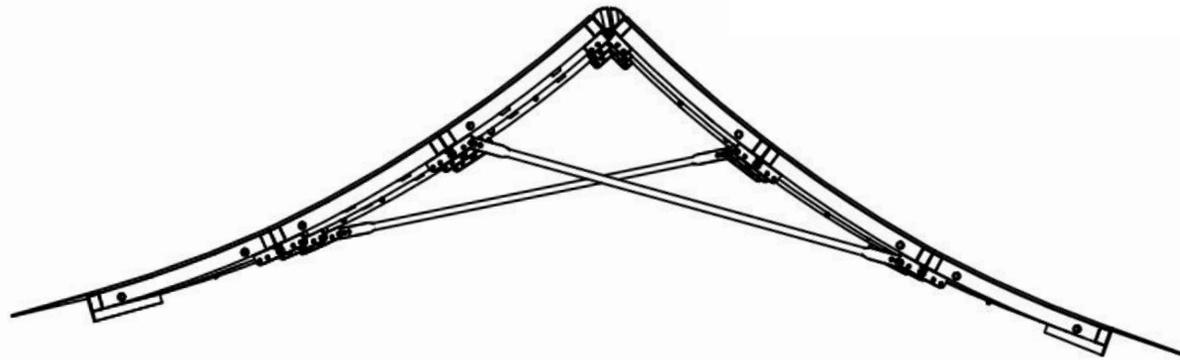
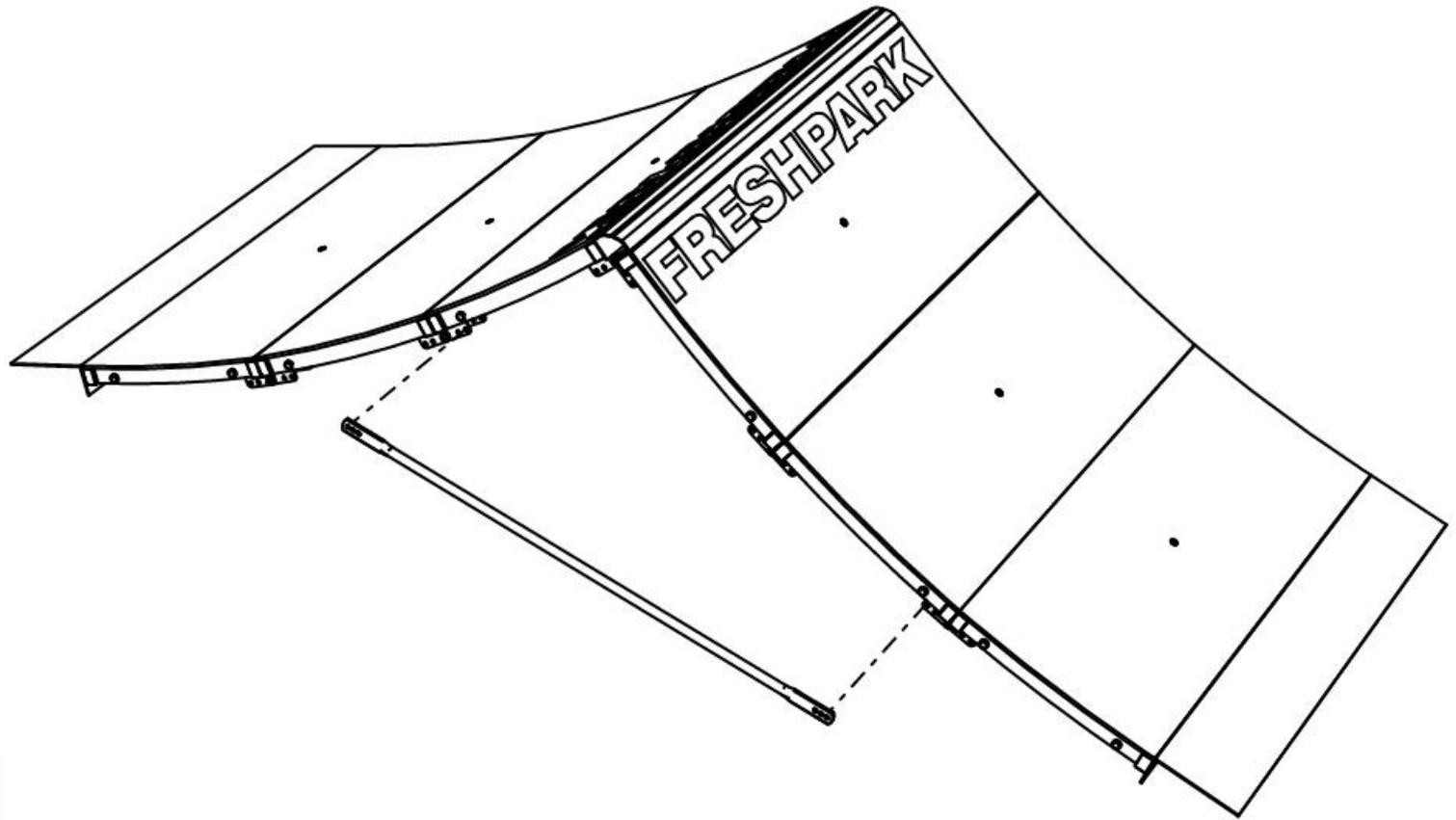
SUPPORT BARS

STEP 8

Place a long support bar on each side of the spine transfer

Bolt the two support bars onto the hinges of the ramps as shown holding them together

Alternate the position of the support bars so each both sides are different creating an X as shown



SUPPORT BARS

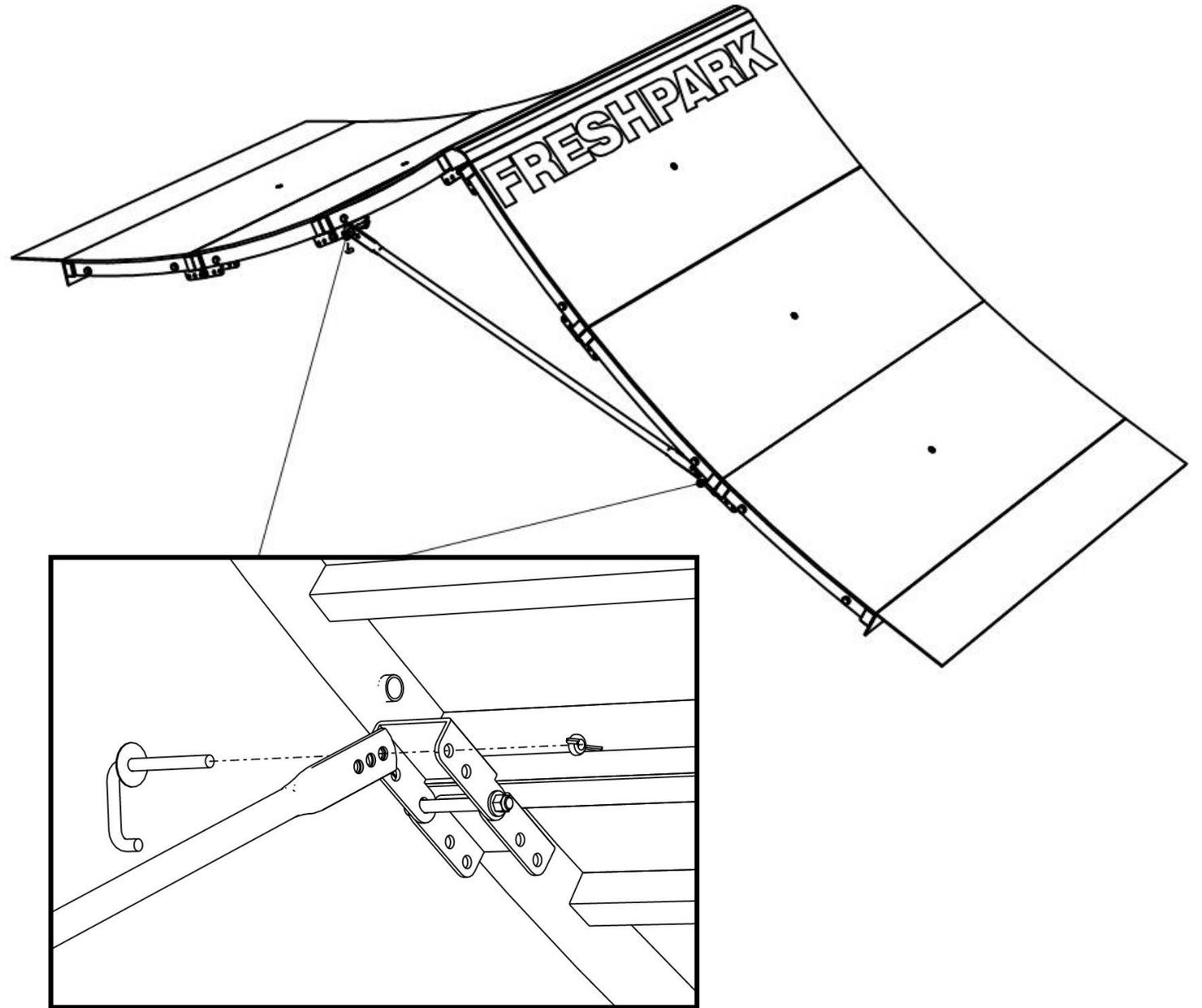
STEP 9

Put a large washer onto a J-bolt and slide it through both the support bar and hinge

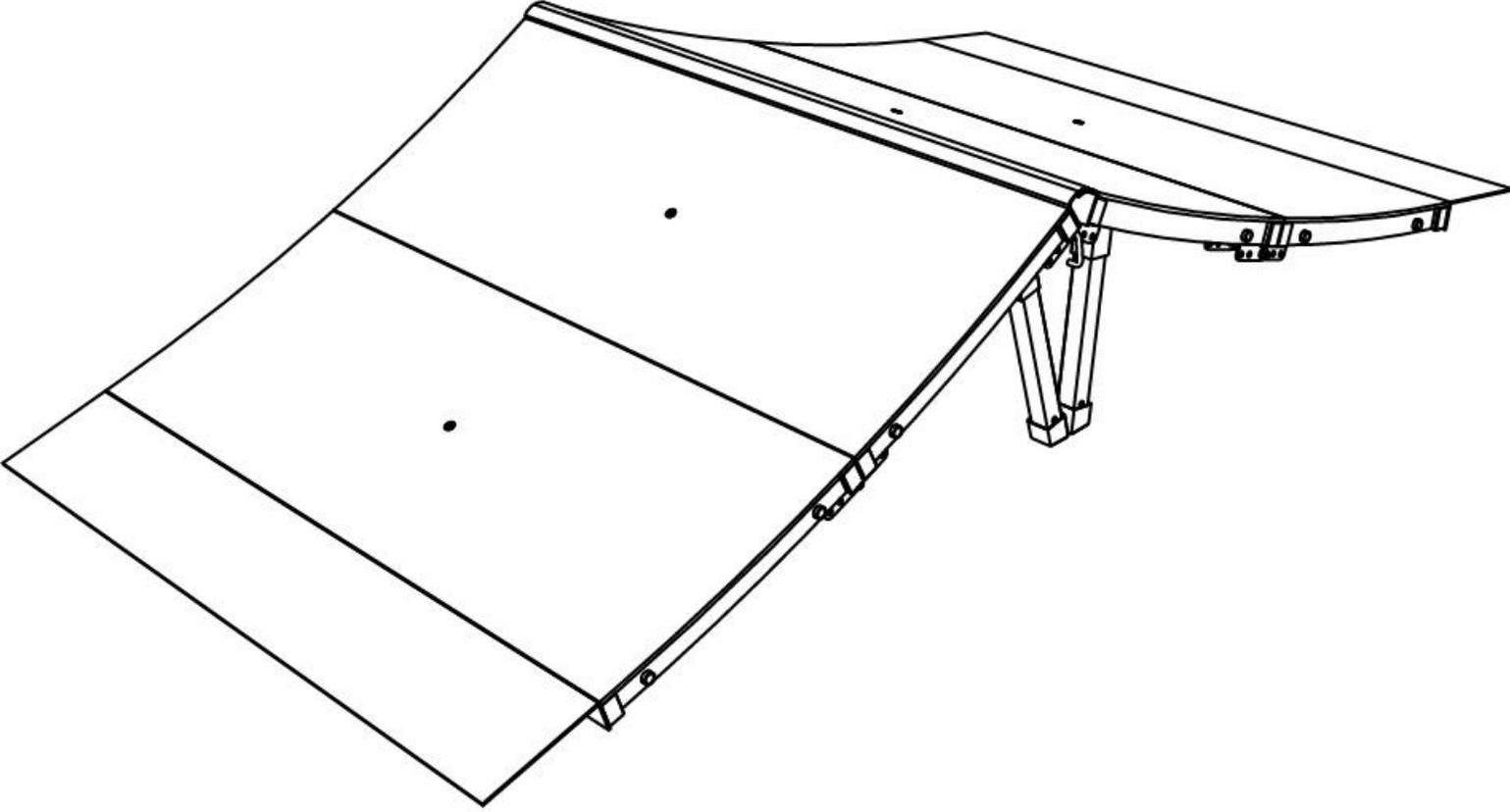
Tighten the support bars with a wing nut on the J-bolt to keep them secure

You may need to squeeze the ramps together to let the support bar have a tighter fit or reach the hinge

There are 3 adjustable holes on the support bar that you can use to allow the ramp to be secure without play



LAUNCH SPINE



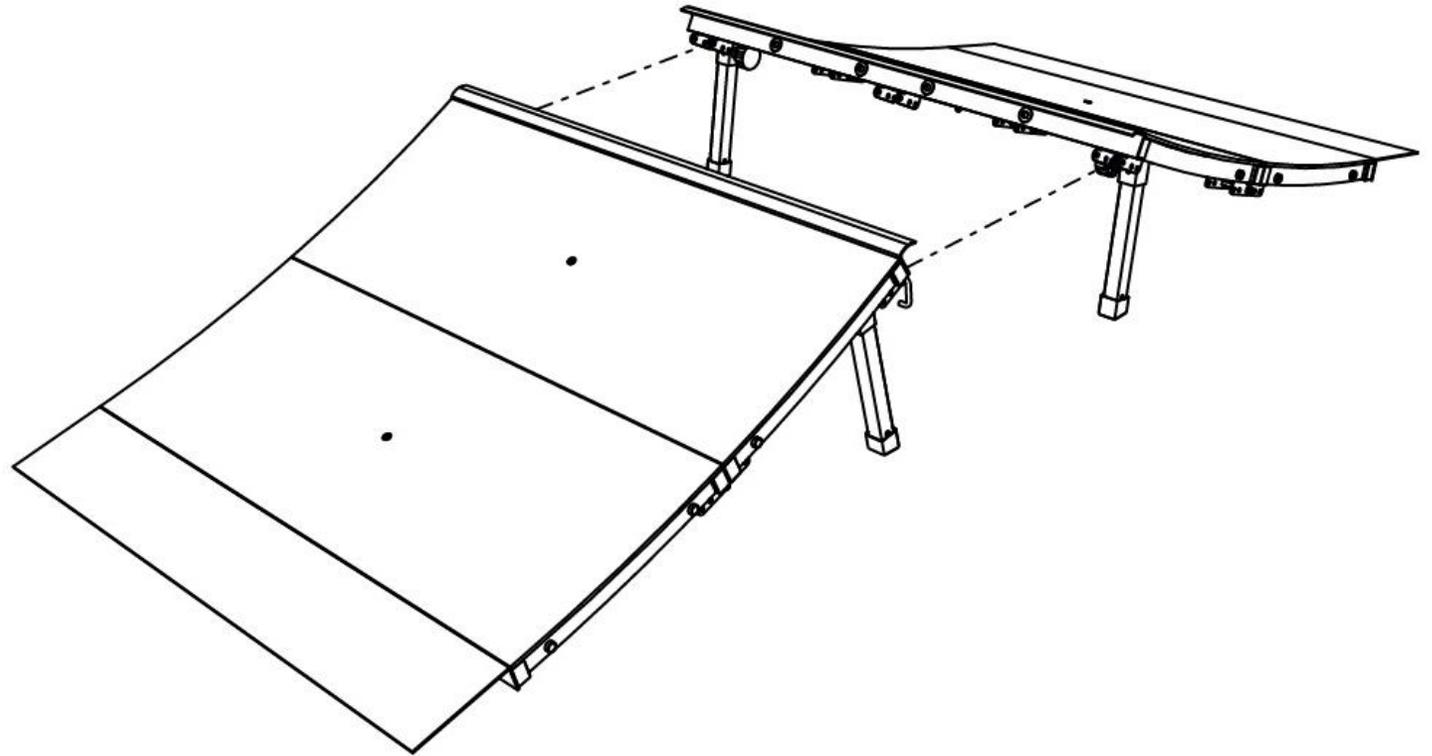
ALIGNING RAMPS

STEP 1

Align the two launch ramps facing each other as shown

Bring them together so the hinges on each side meet

Align the hinges so the sides of the ramp are flush with each other

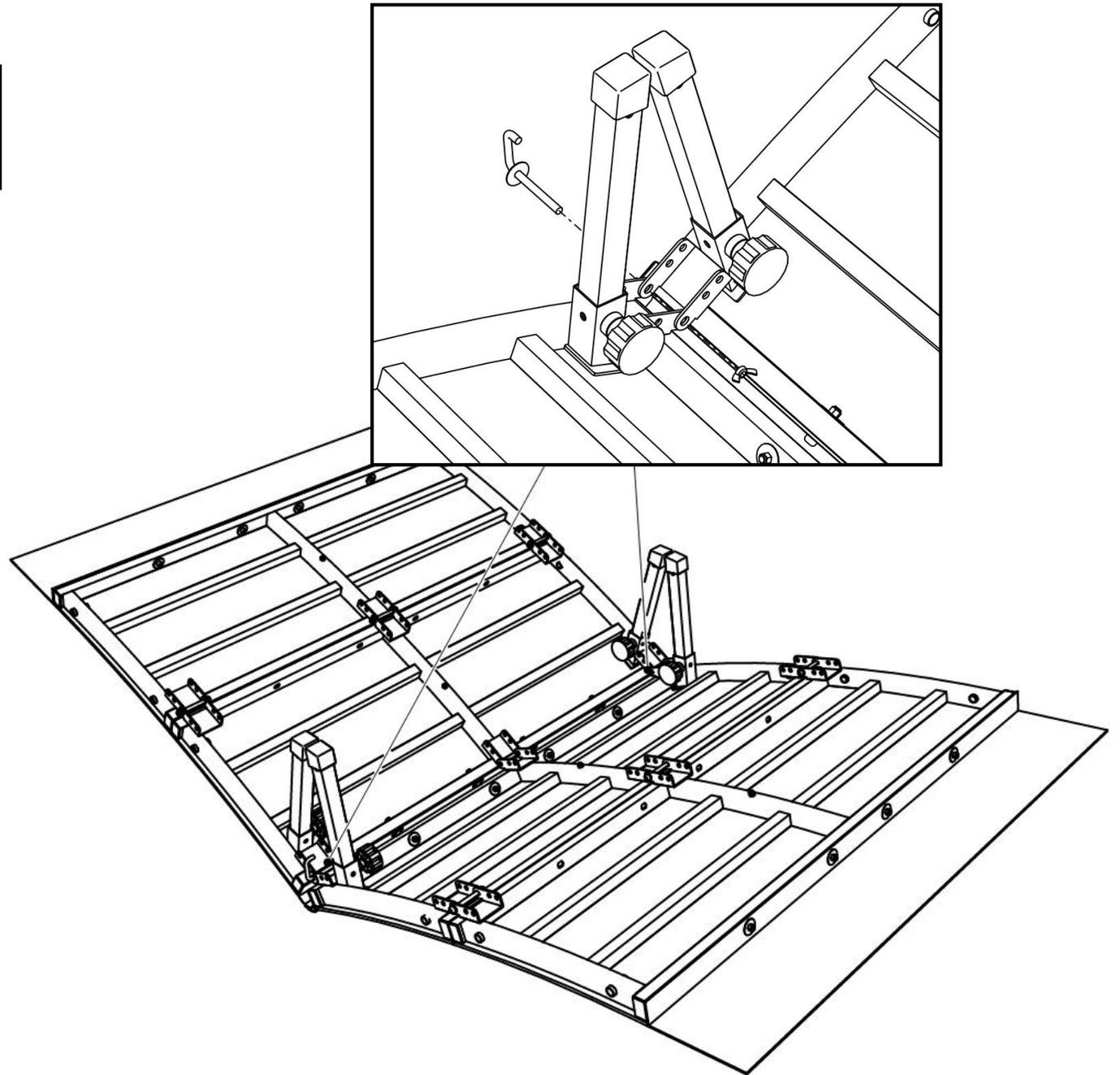


BOLTING RAMPS

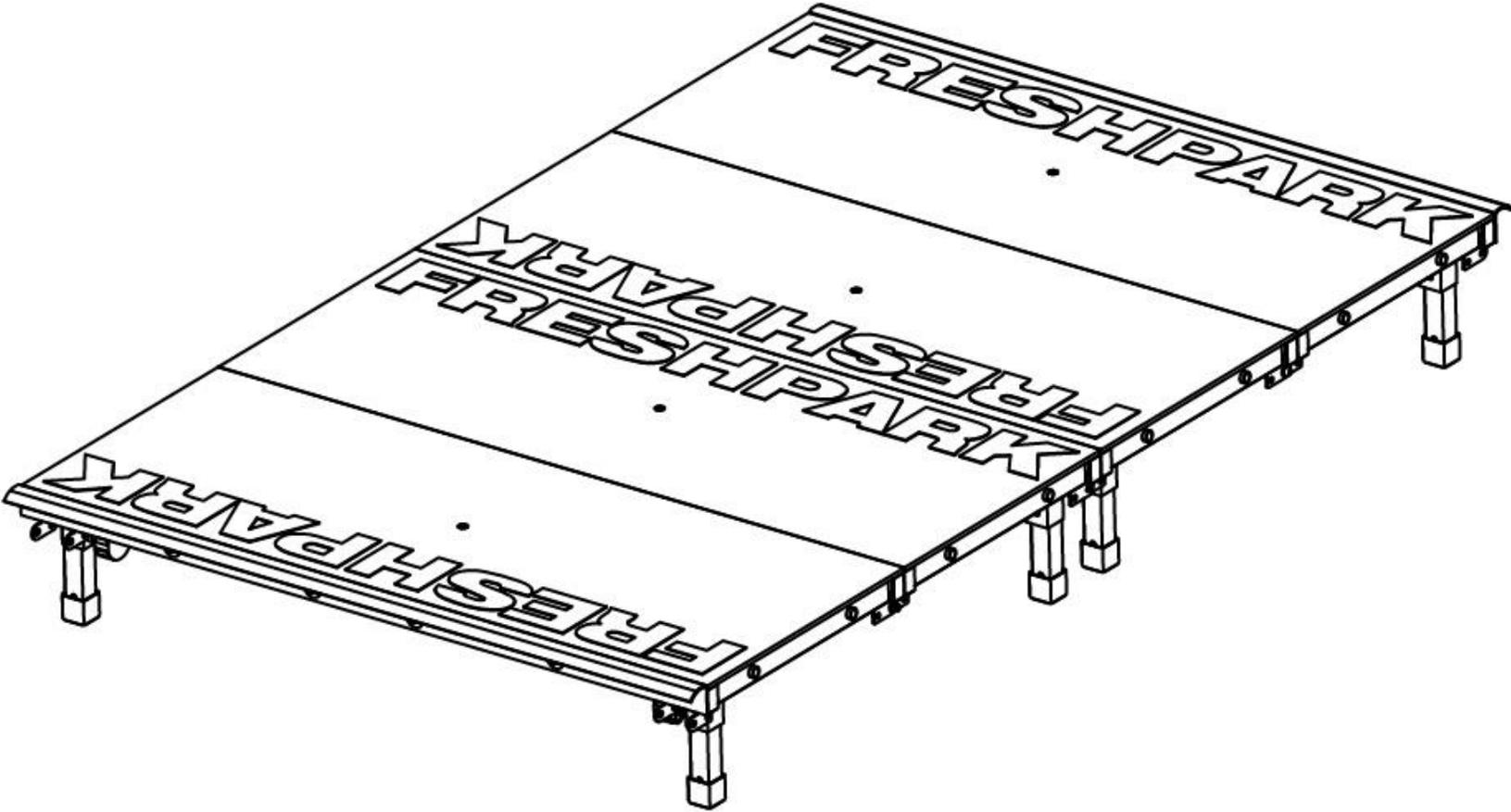
STEP 2

Bolt the ramps together using J-bolts on both hinges

Place a big washer on a J-bolt and slide it through both hinges and use a wing nut on the other side to tighten the ramps together



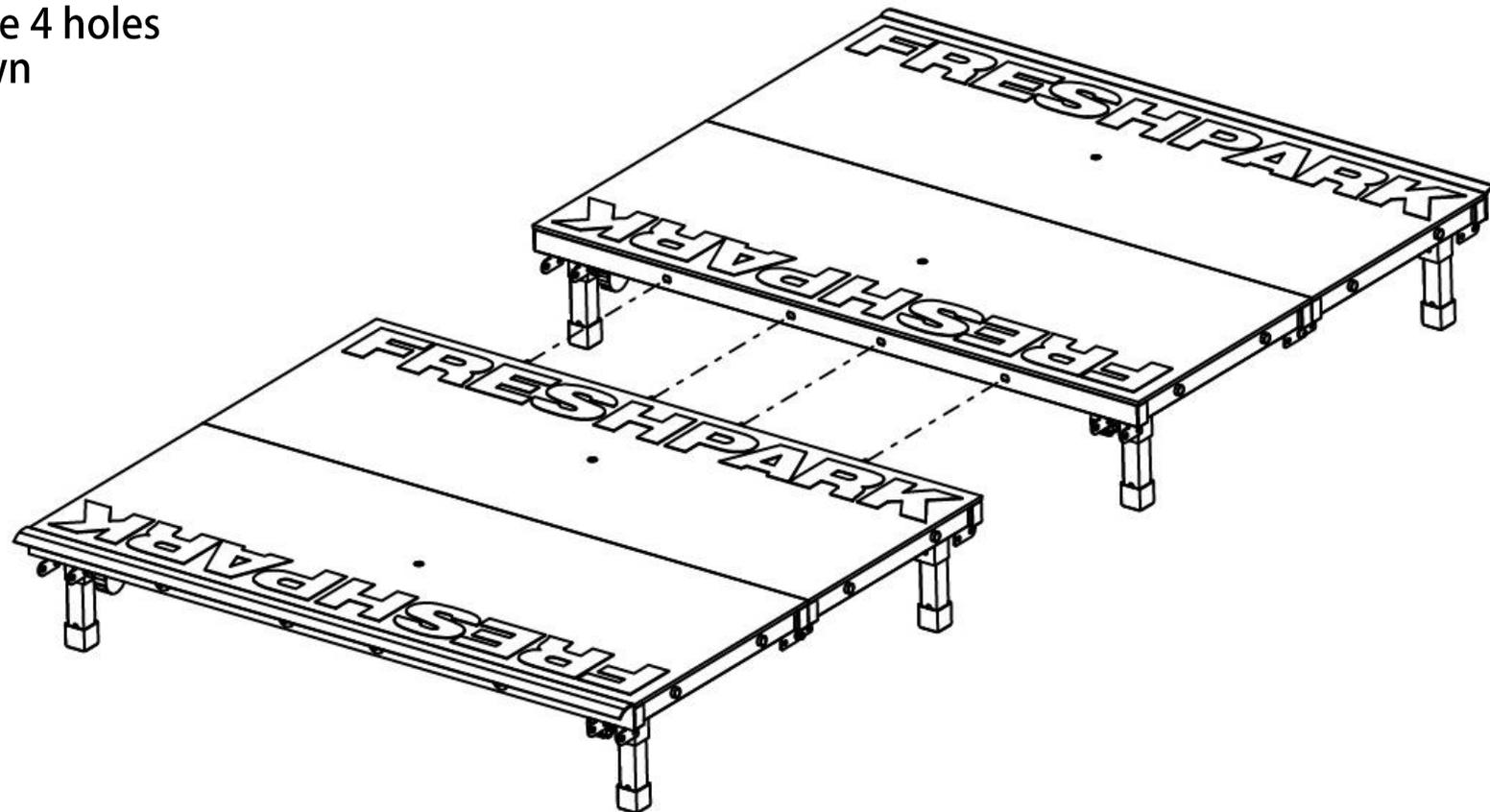
LINKING FUNBOX



ALIGNING FUNBOXES

STEP 1

Align the two funboxes with the 4 holes on the tubing together as shown

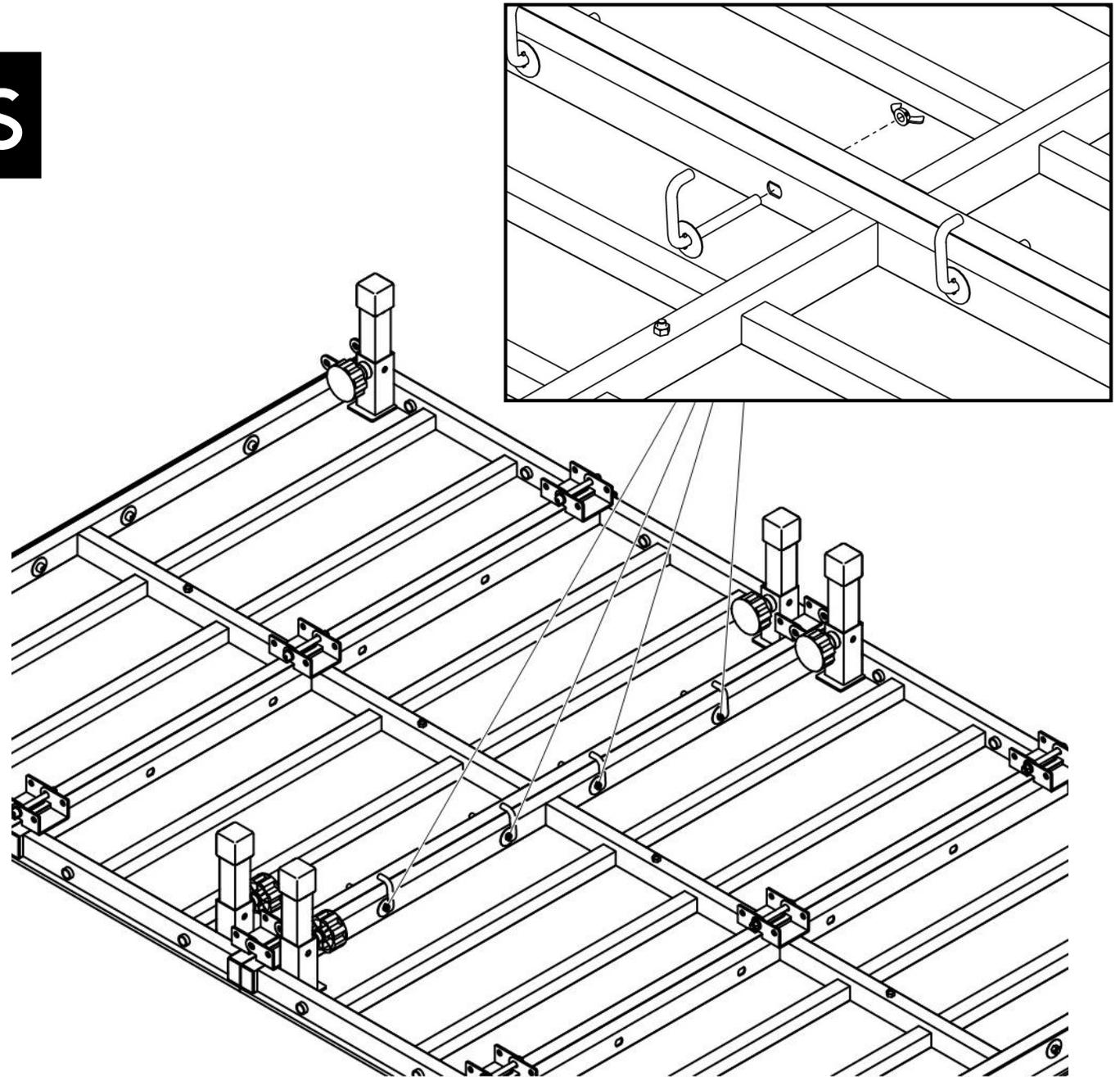


BOLTING FUNBOXES

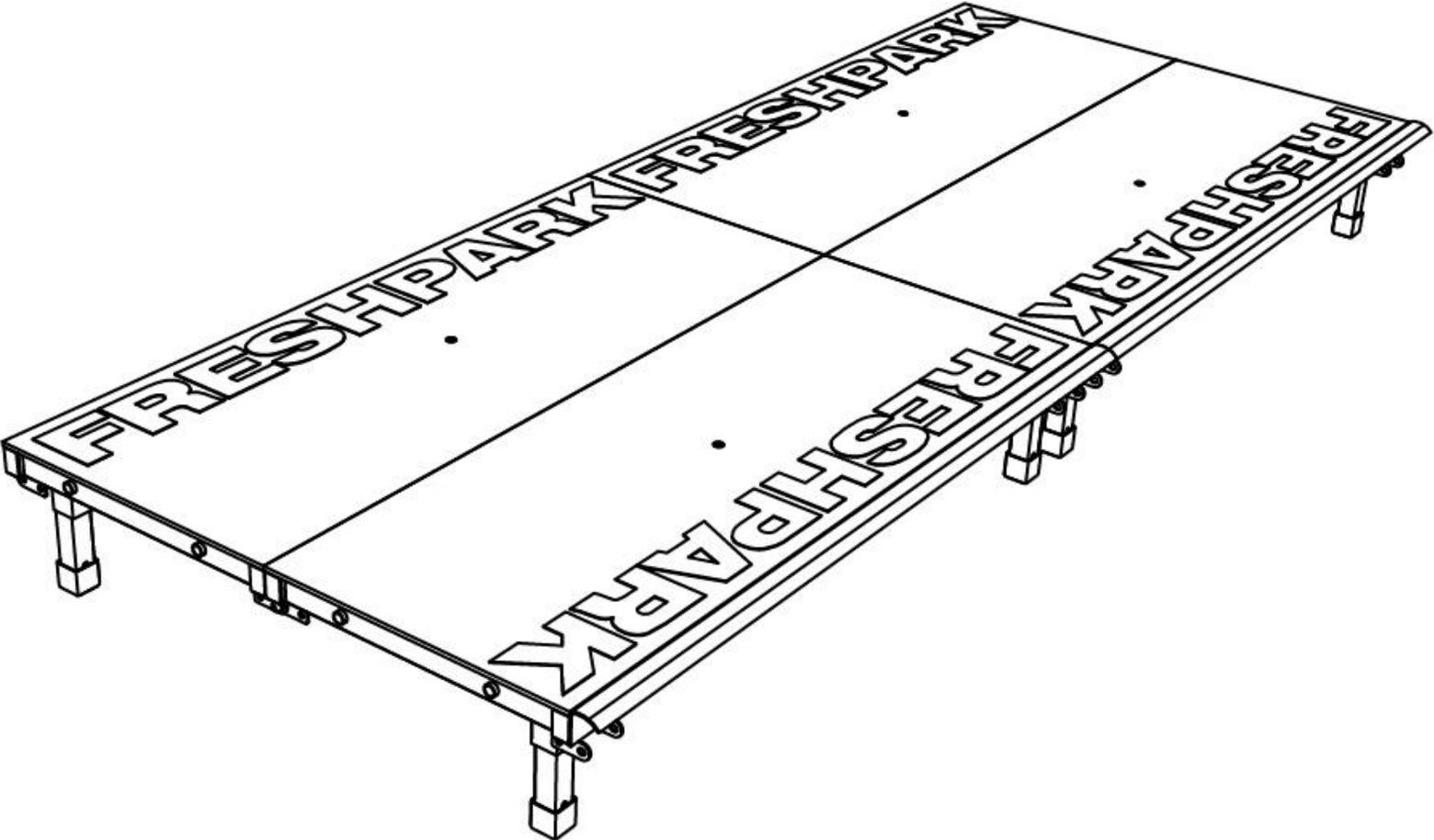
STEP 2

Bolt the funboxes together using J-bolts on each hole

Place a big washer on a J-bolt and slide it through both tubings and use a wing nut on the other side to tighten the funboxes together



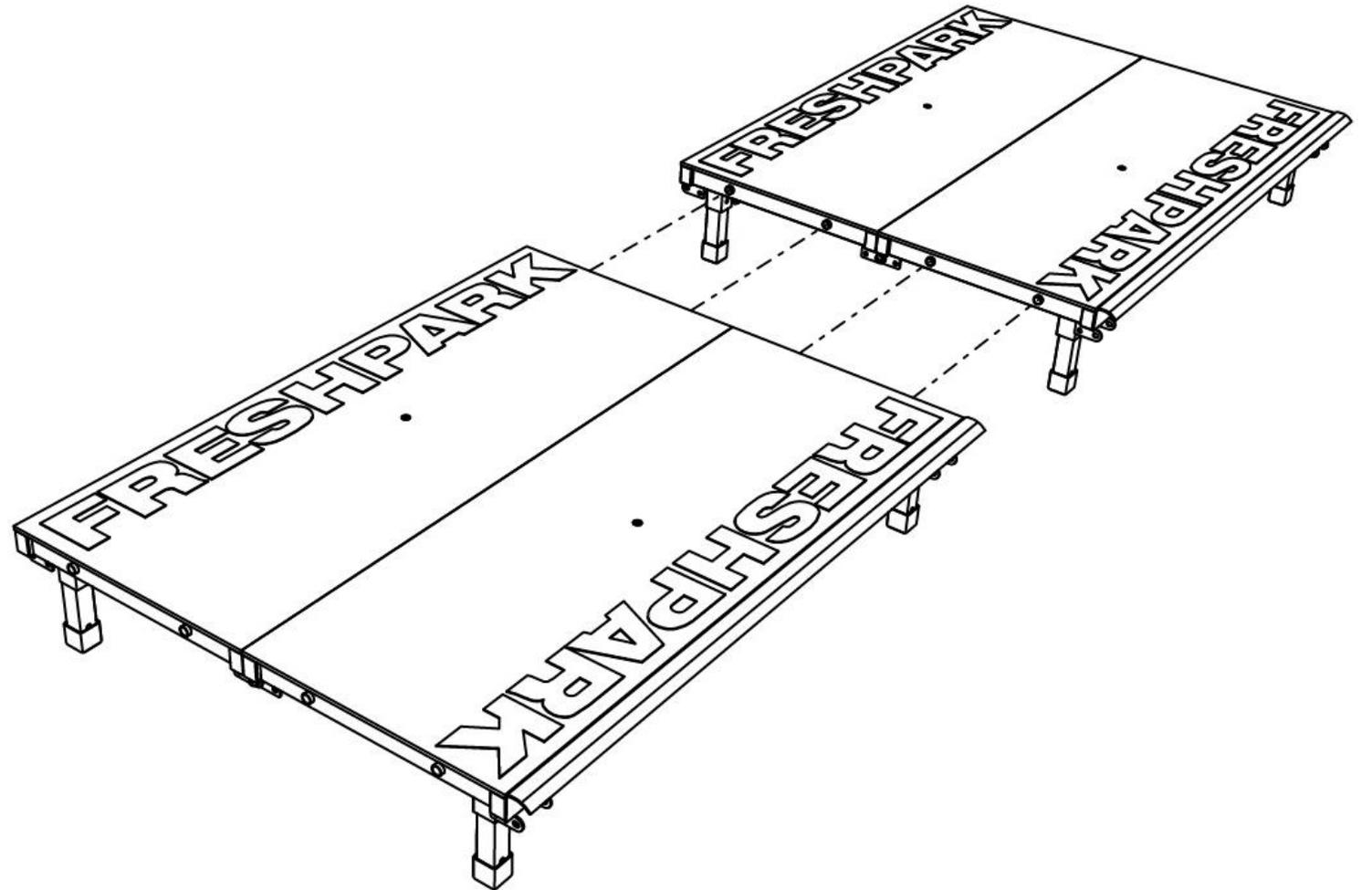
LINKING FUNBOX



ALIGNING FUNBOXES

STEP 1

Align the two funboxes with the 4 tubes on the sides of the funboxes together as shown



BOLTING FUNBOXES

STEP 2

Bolt the funboxes together using J-bolts on each tube

Place a big washer on a J-bolt and slide it through both tubes and use a wing nut on the other side to tighten the funboxes together

