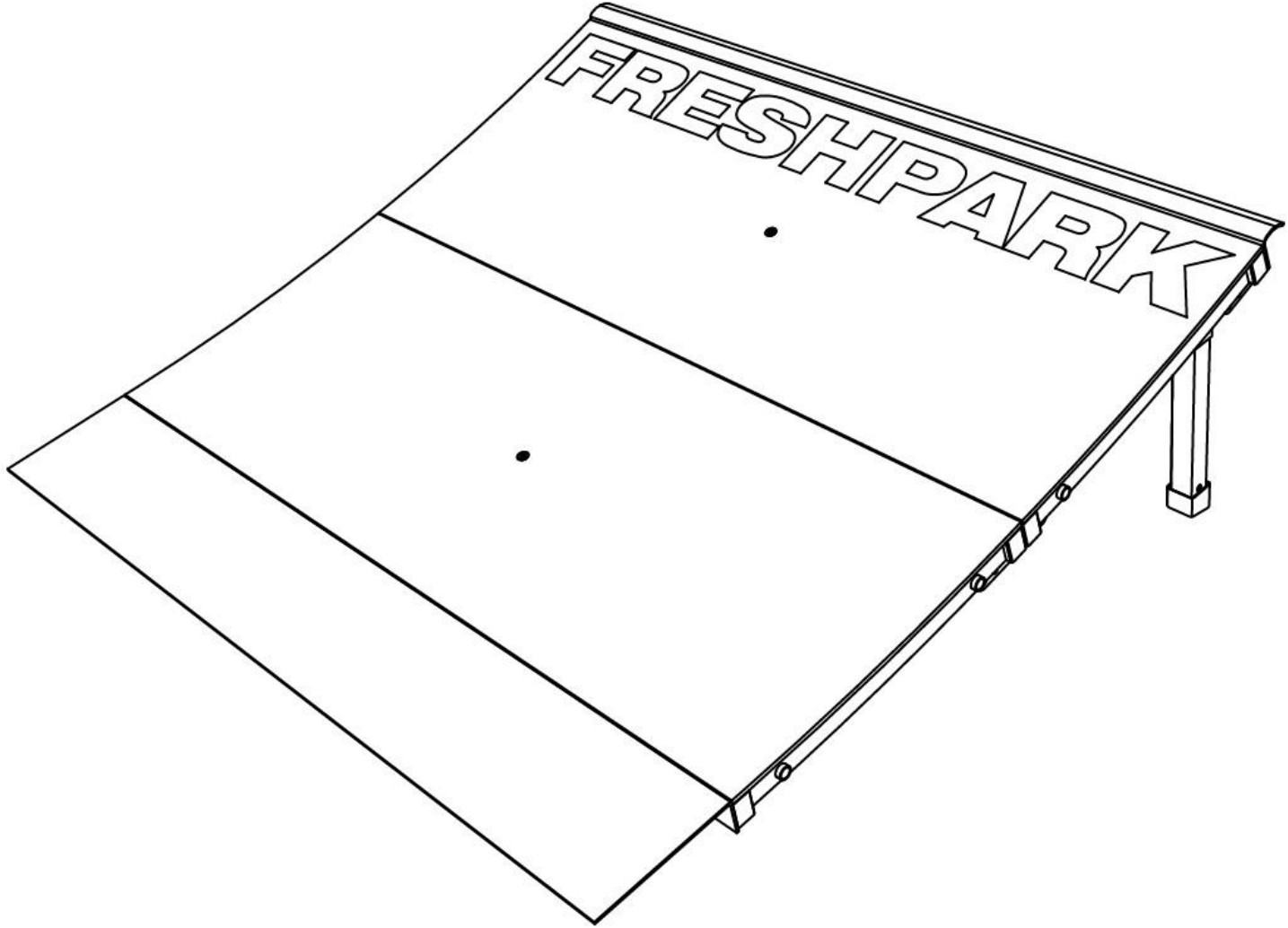


LAUNCH RAMP INSTRUCTIONS

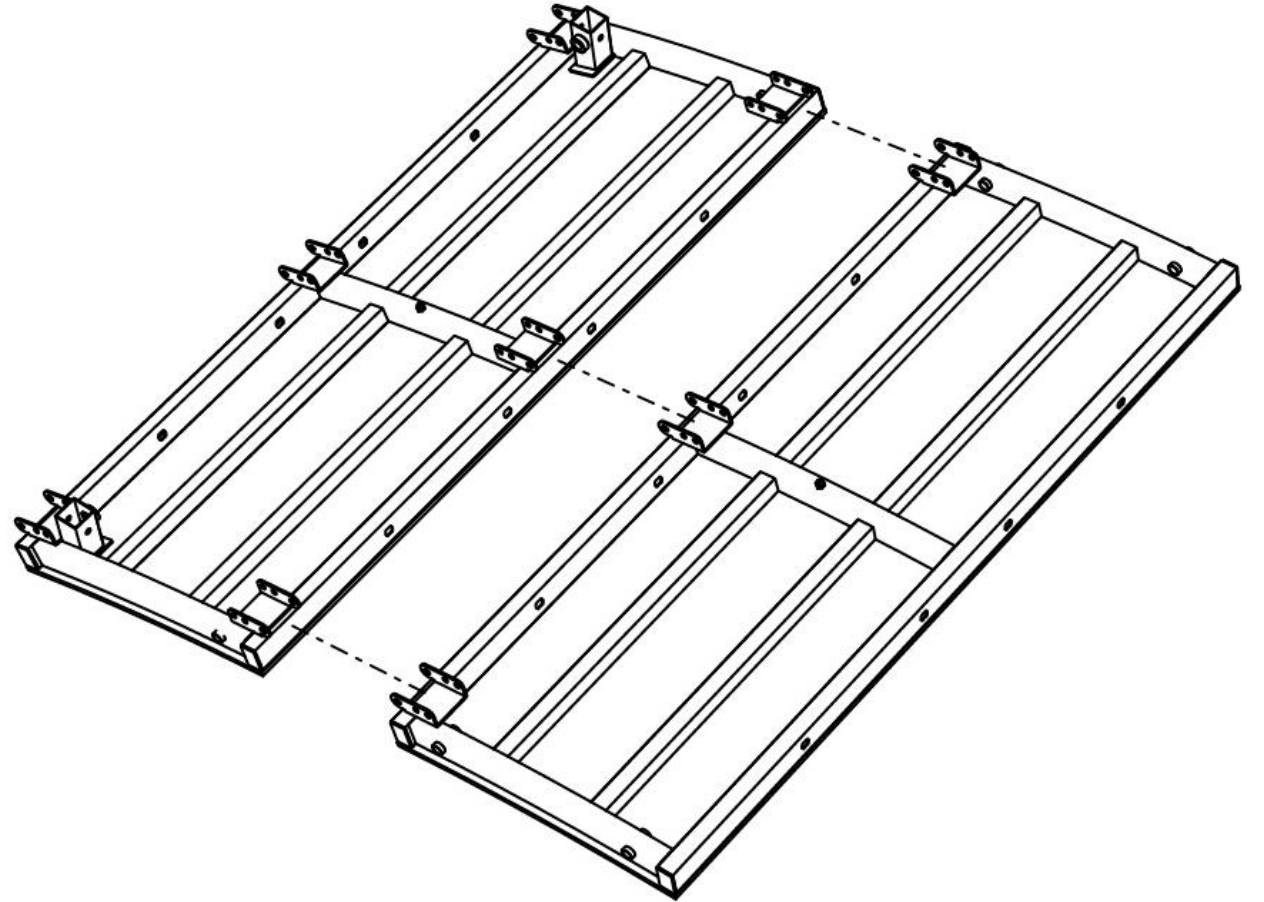


ATTACHING PANELS

STEP 1

Align the two panels with the hinges together

Align the panels so the edges of panels are flush with each other



ATTACHING PANELS

STEP 2

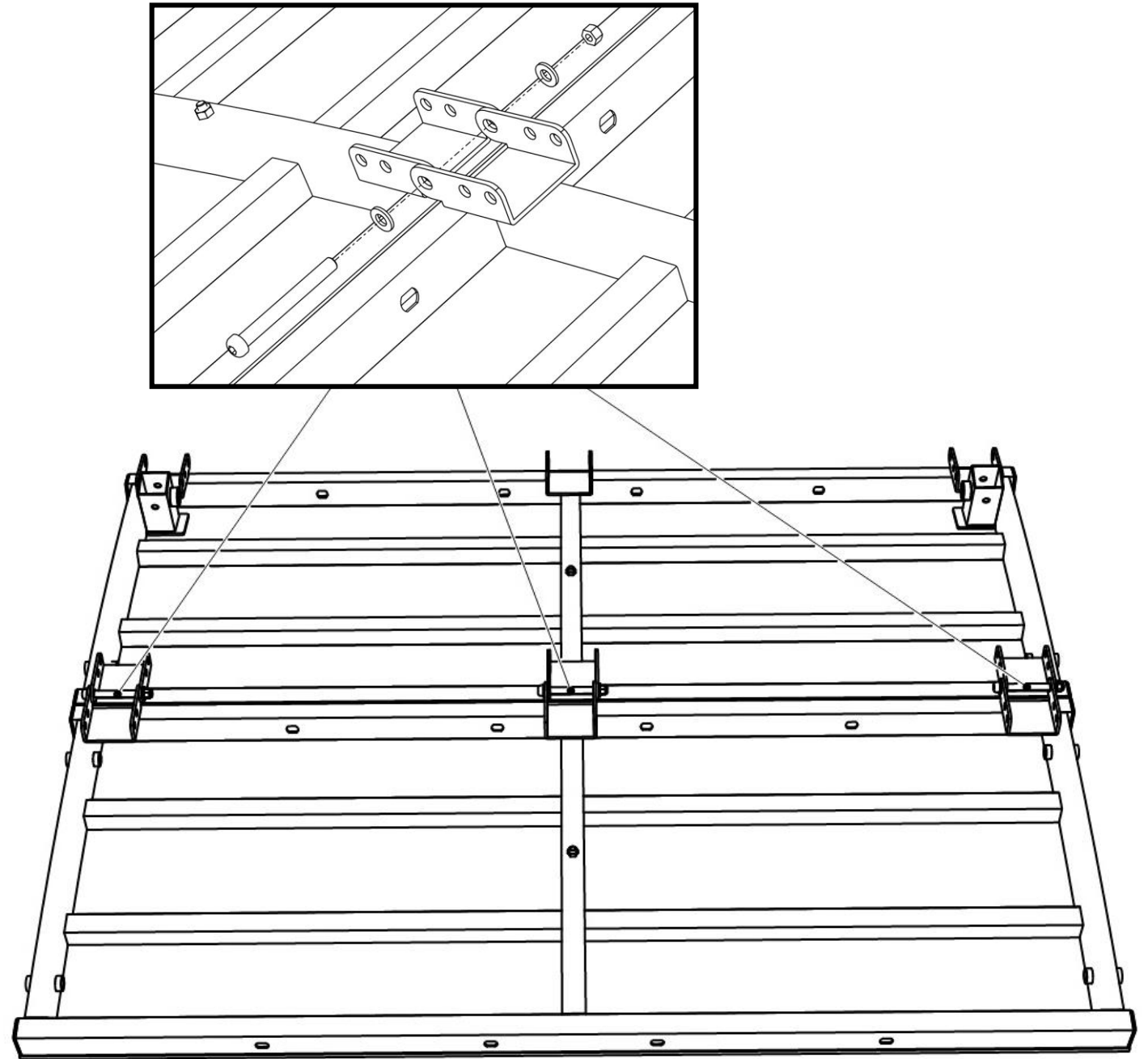
Bolt together the panels using the 3" bolts provided on the 3 hinges

Place a small washer on the 3" bolt and insert it through both hinges

Follow it with a small washer and a lock nut to tighten the hinges together

Caution:

Do not tighten the bolts too tight to allow the hinges to freely move

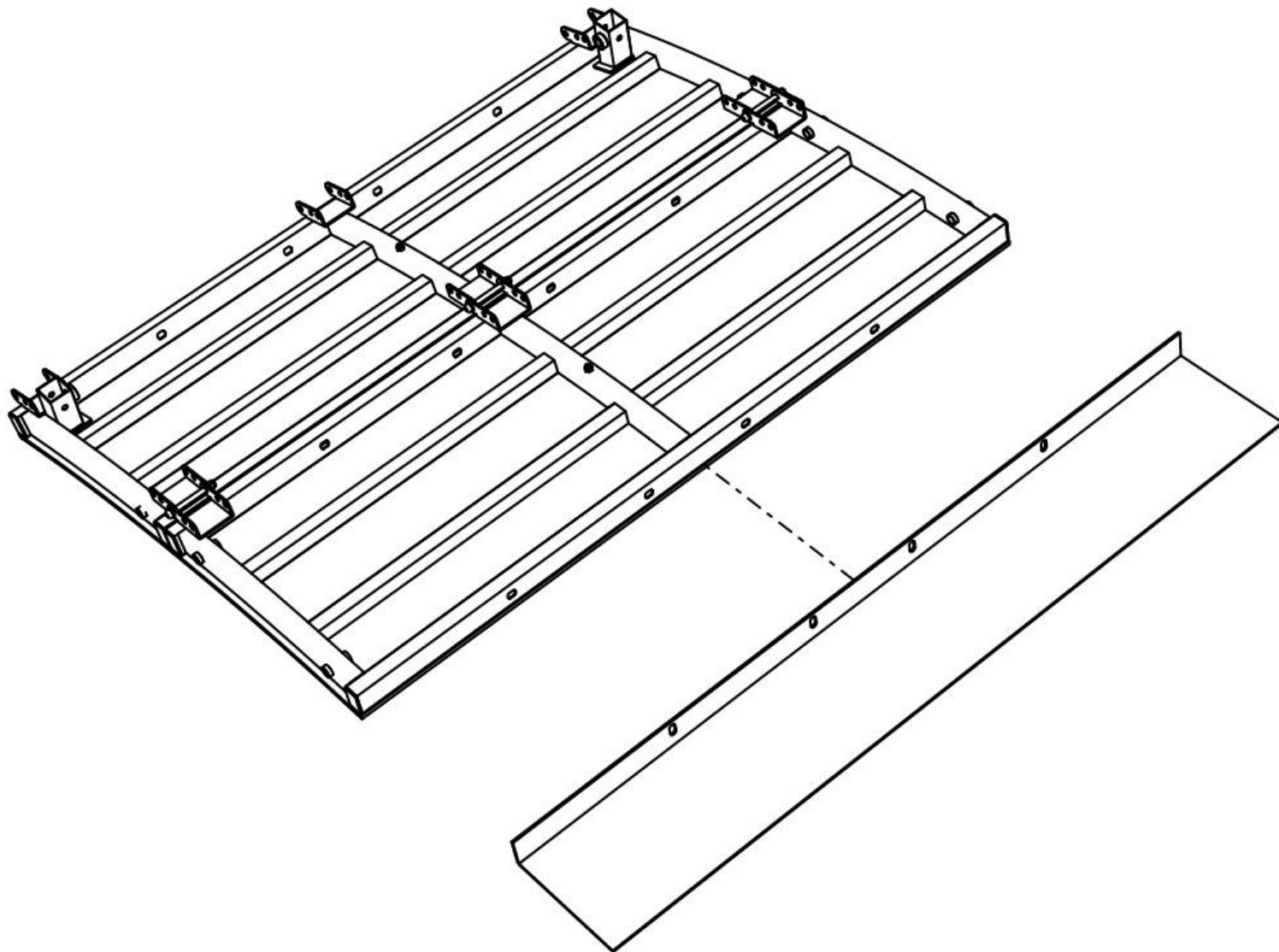


TOE PIECE

STEP 3

Place the toe piece on the bottom panel with only 3 hinges

Align the 4 holes in the coping with the 4 holes in the tubing of the panel



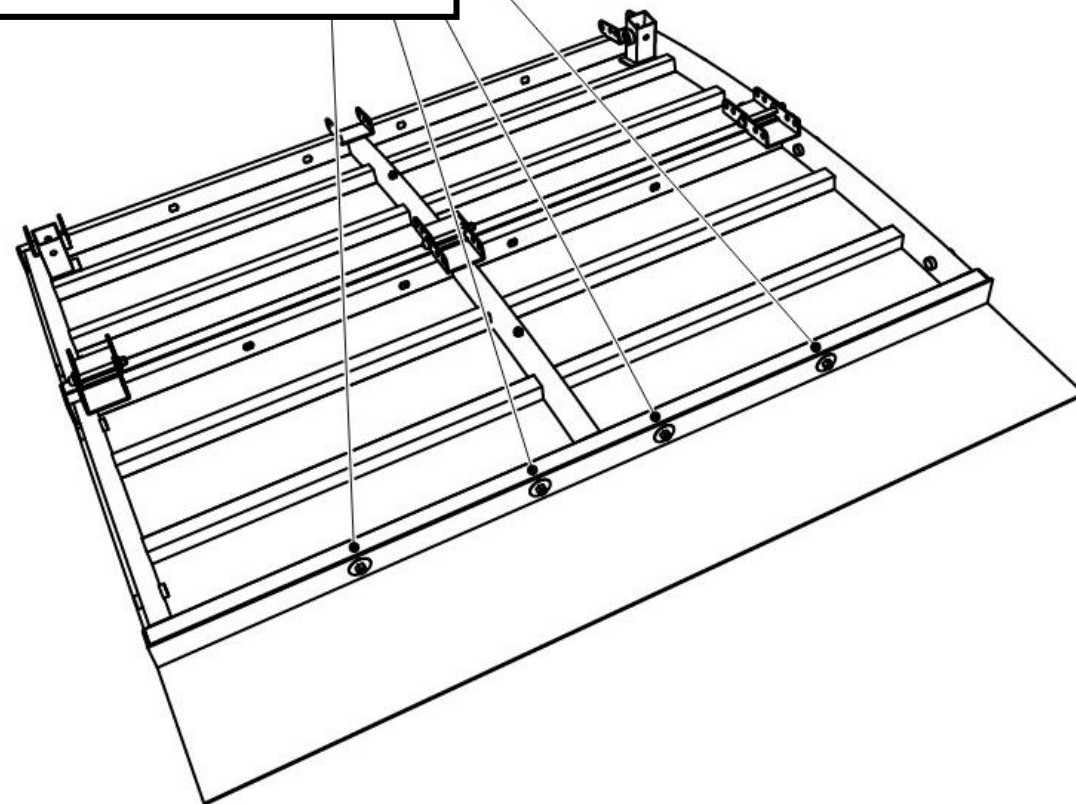
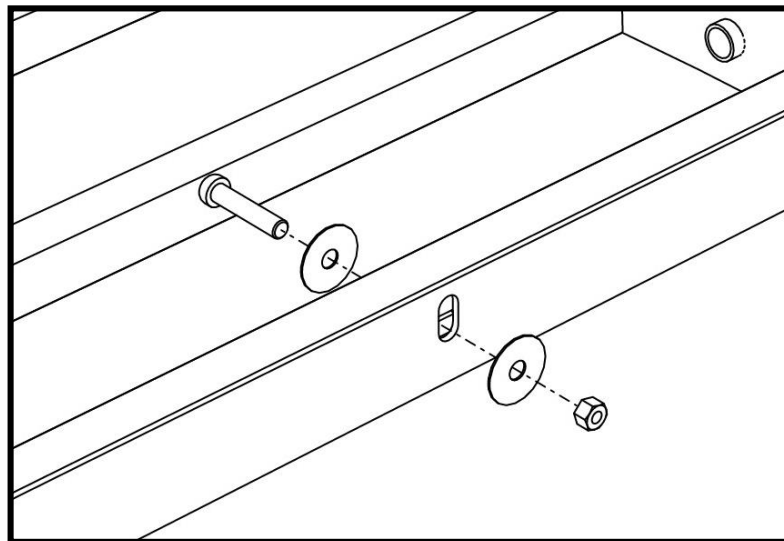
TOE PIECE

STEP 4

Use the 2" bolts to attach the toe piece to the launch ramp

Place a big washer onto the 2" bolt and insert it through the toe piece and tubing

Follow it with a big washer and a lock nut to tighten the toe piece to the launch ramp

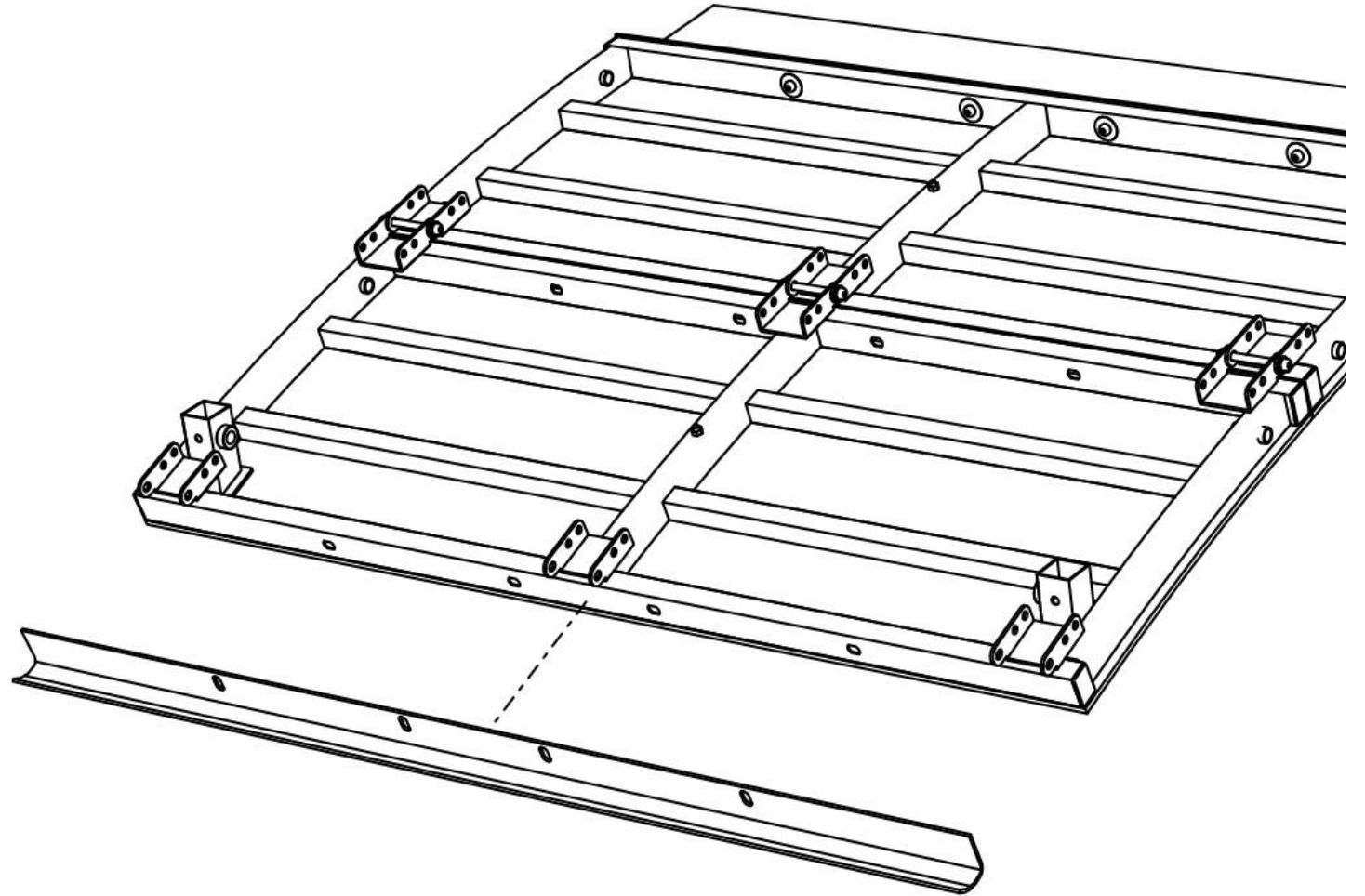


COPING

STEP 5

Place the coping on top panel of the launch ramp with the receivers

Align the 4 holes in the coping with the 4 holes in the tubing of the panel



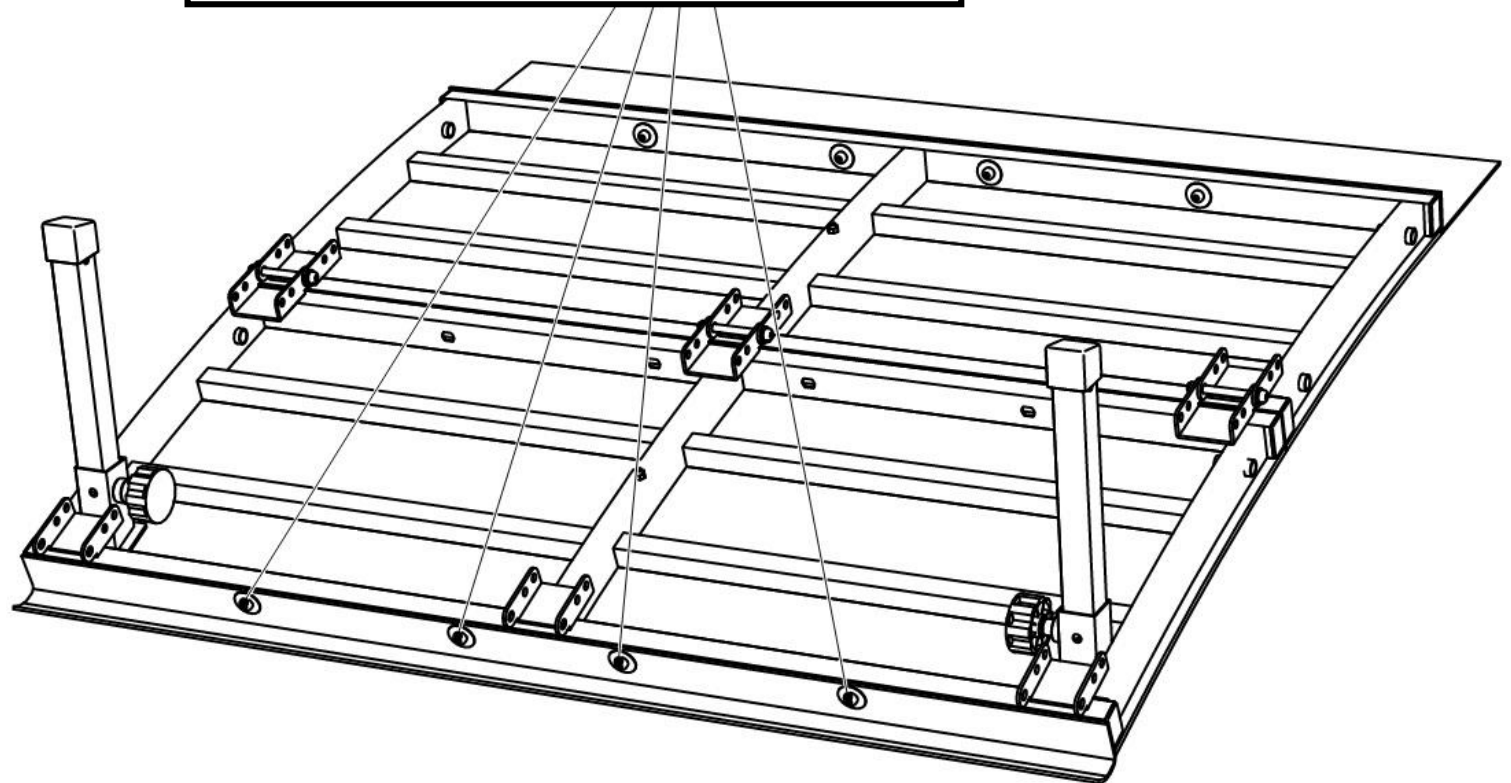
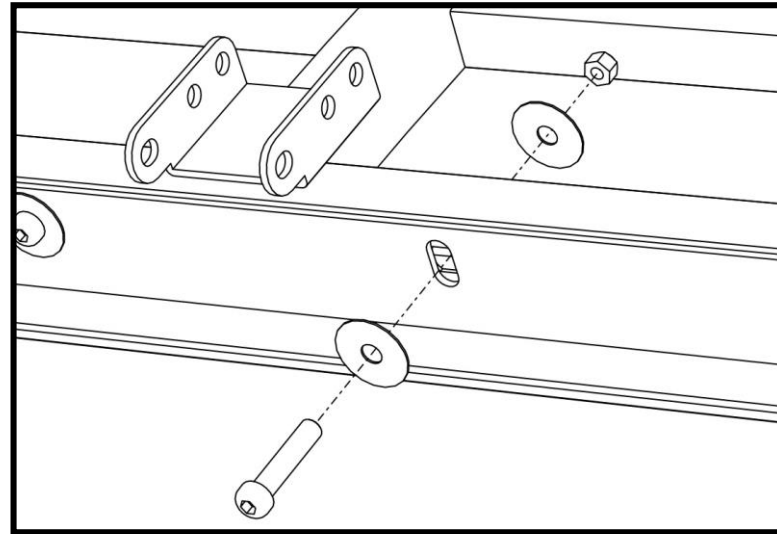
COPING

STEP 6

Use the 2" bolts to attach the coping to the launch ramp

Place a big washer onto the 2" bolt and insert it through the tubing and coping

Follow it with a big washer and a lock nut to tighten the coping to the launch ramp



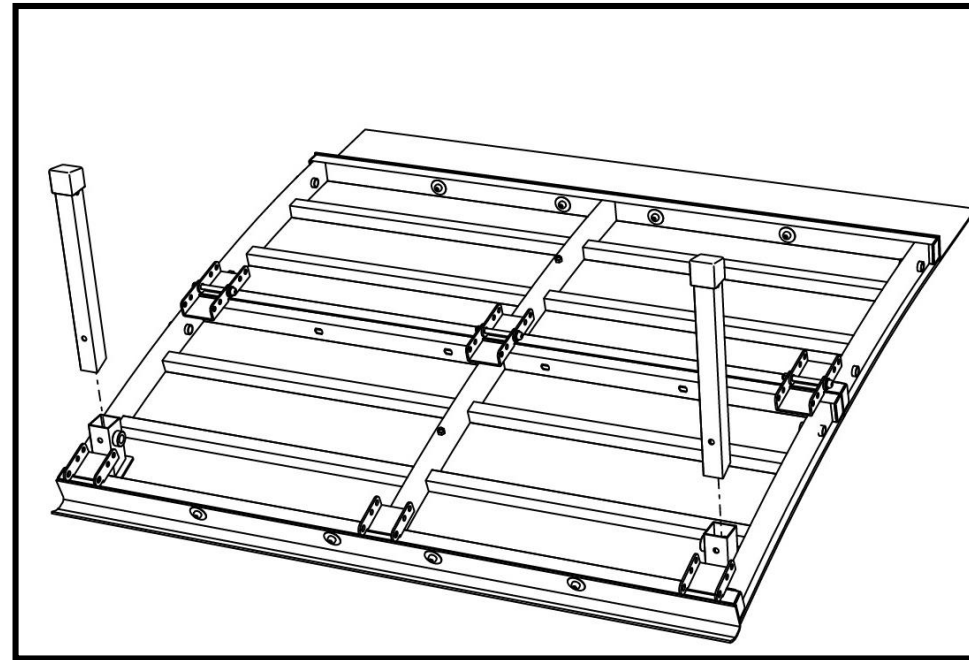
INSERTING LEGS

STEP 7

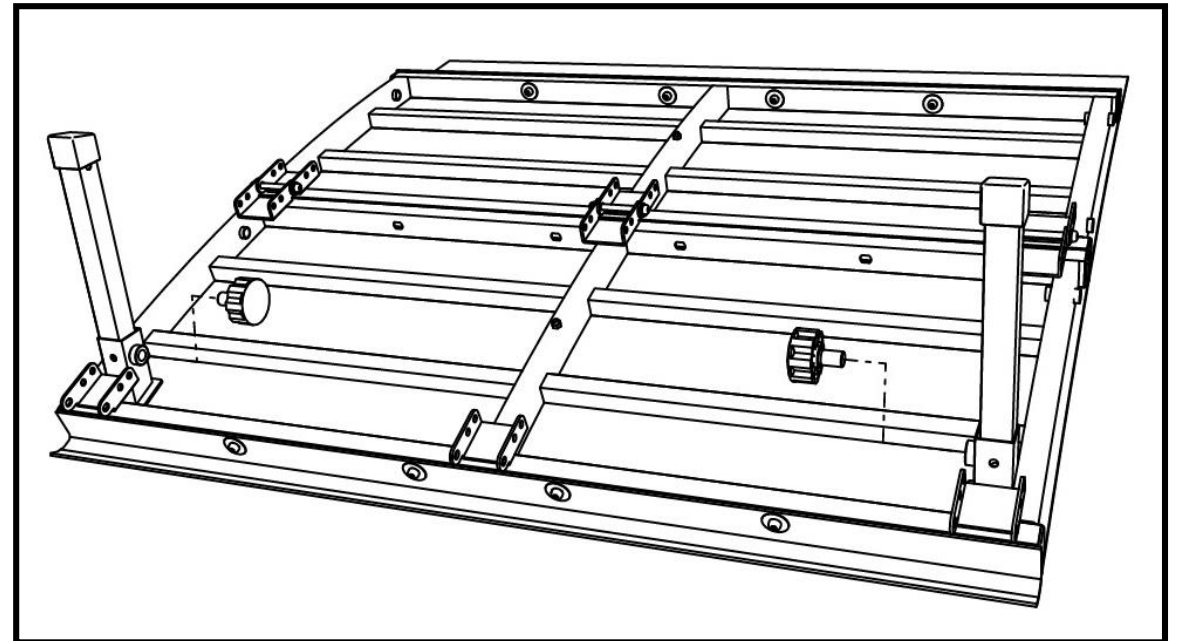
Insert the legs into receivers matching the angle of the legs with the ramp

STEP 8

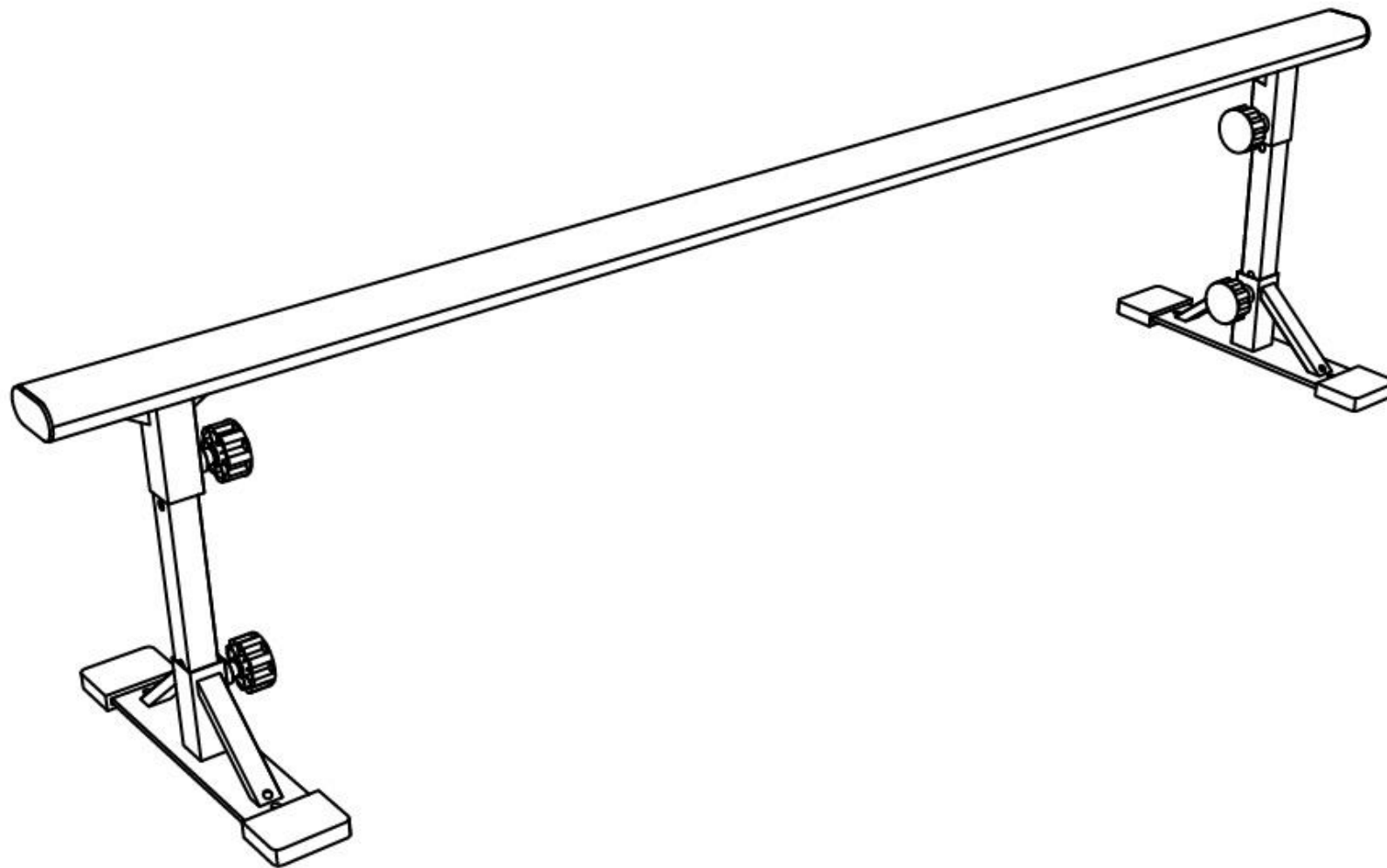
Tighten the legs down with the two knobs by screwing them into the threads of the receivers



STEP 8



GRIND RAIL INSTRUCTIONS



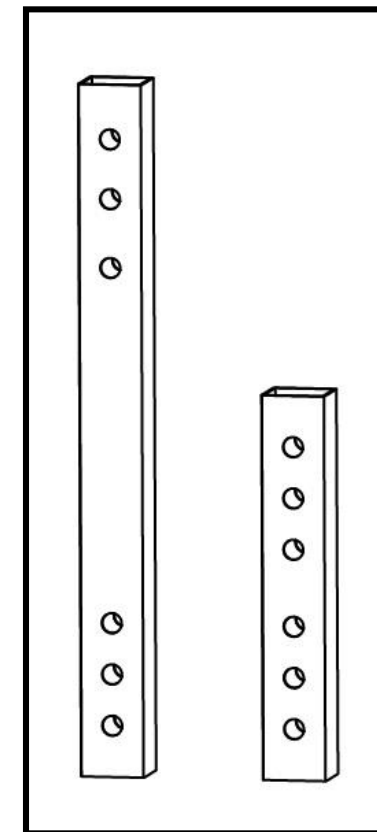
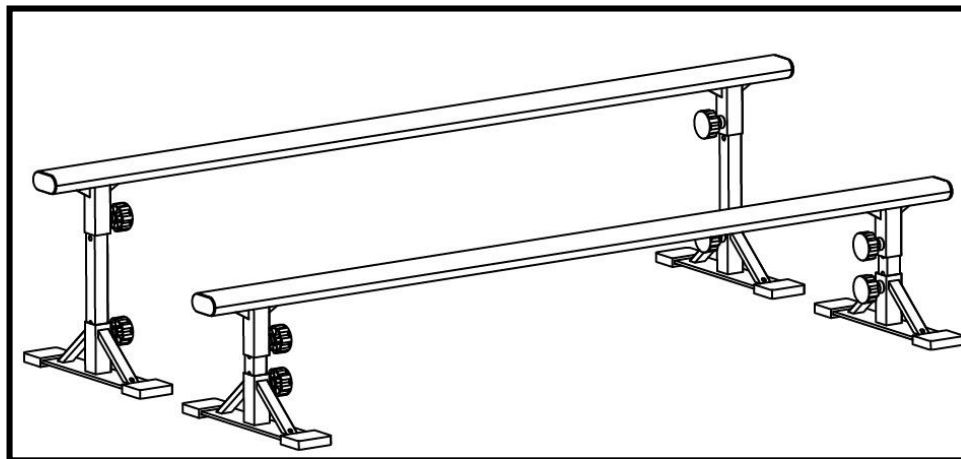
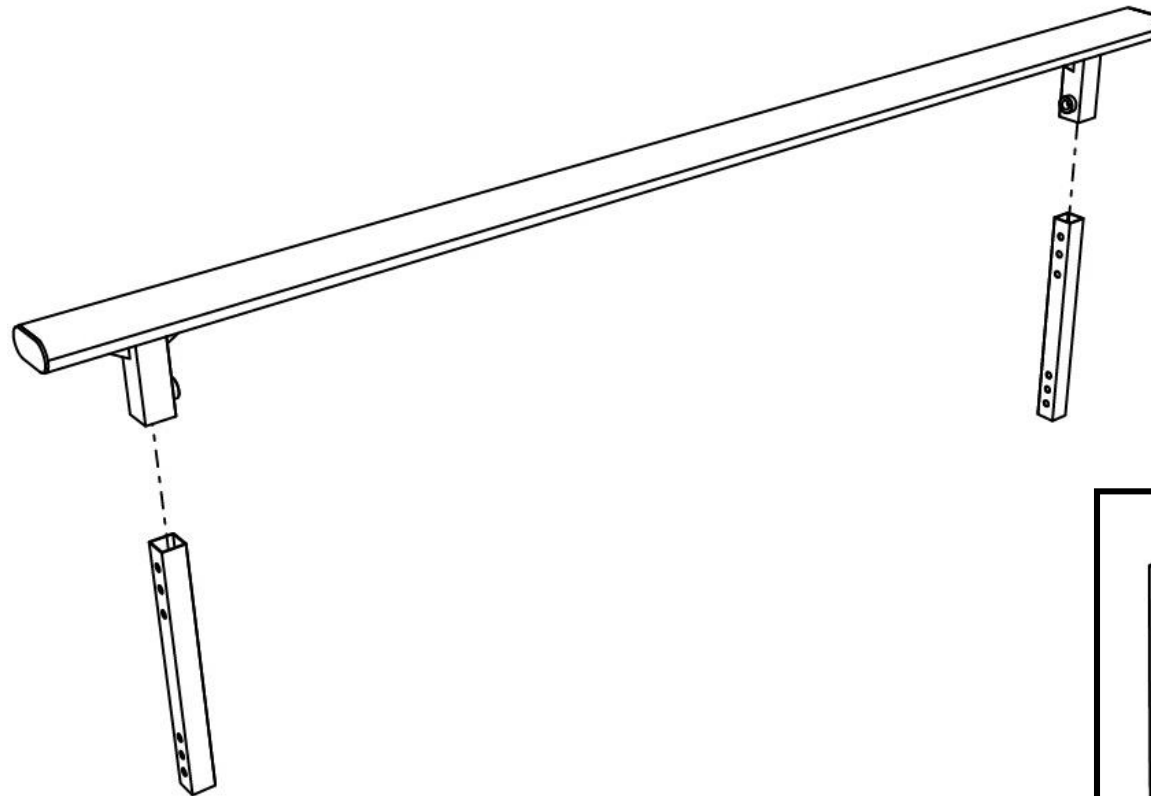
INSERTING LEGS

STEP 1

Insert the desired height leg into the receivers of the rail

There are 2 sized legs 8" and 14" high

There are multiple holes on each leg to adjust the height of the rail depending on the skill set and preference of the rider

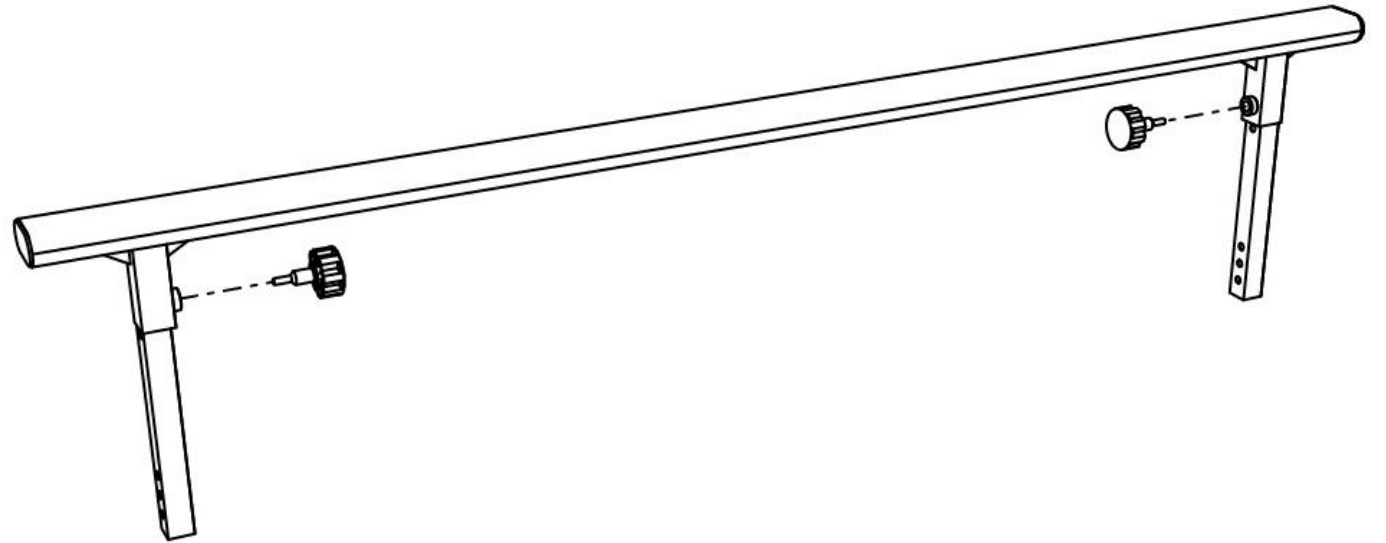


SECURING LEGS

STEP 2

Use the knobs provided to secure the legs into place

Insert the knob through the hole in the leg and screw the knob in until it is tight



INSERTING FEET

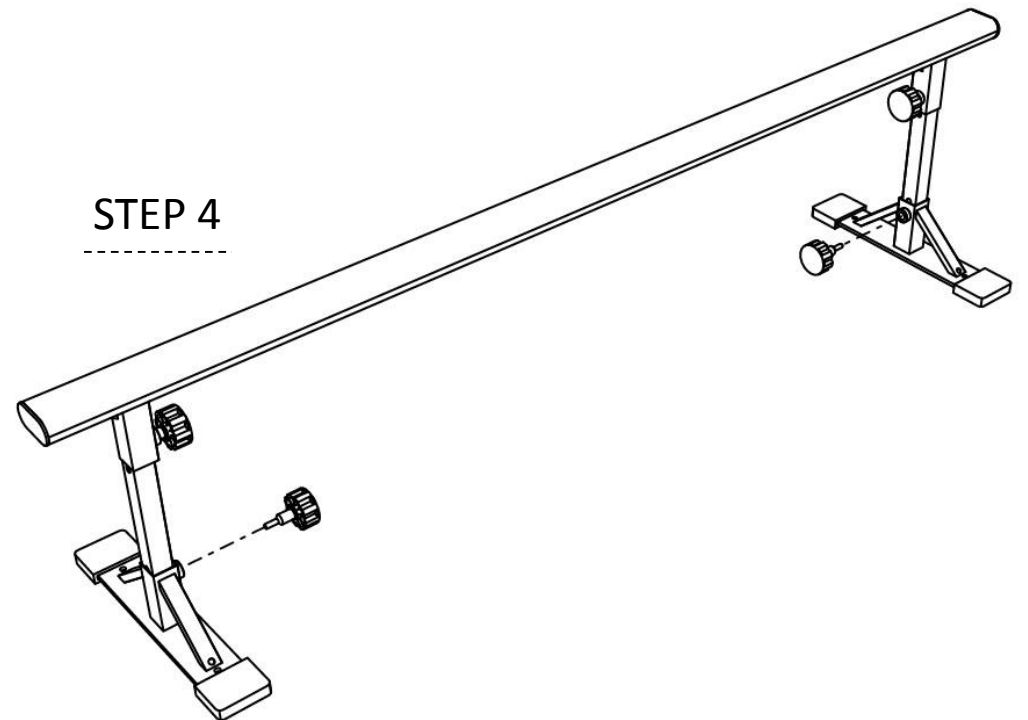
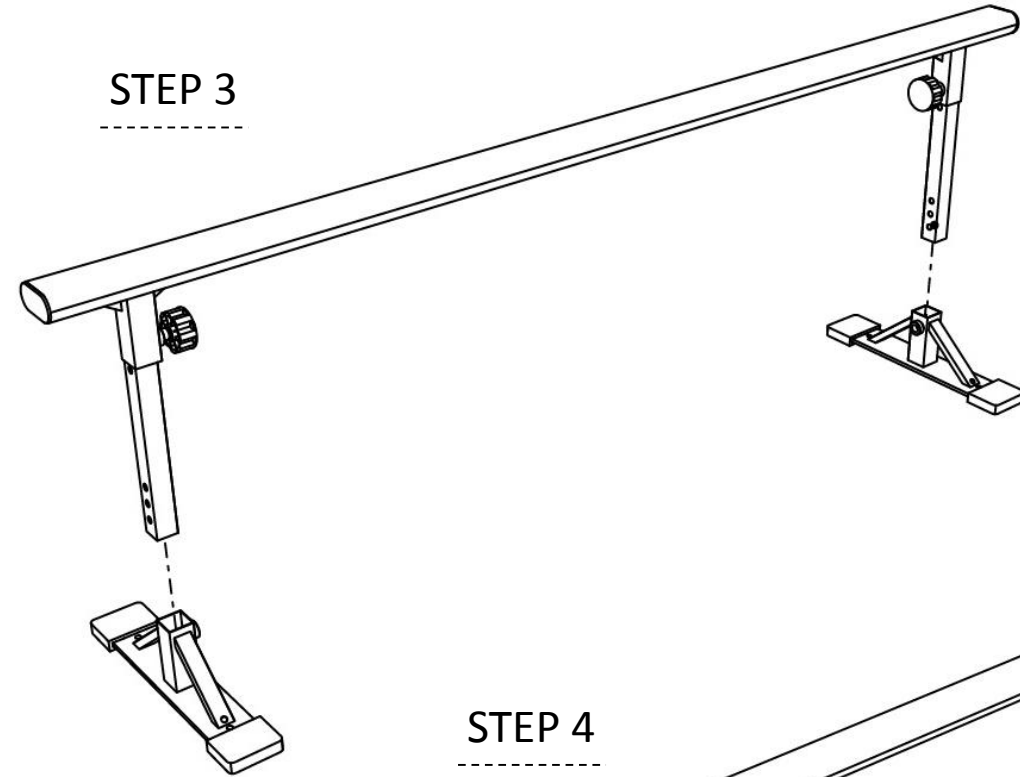
STEP 3

Insert the feet onto the legs of the rail

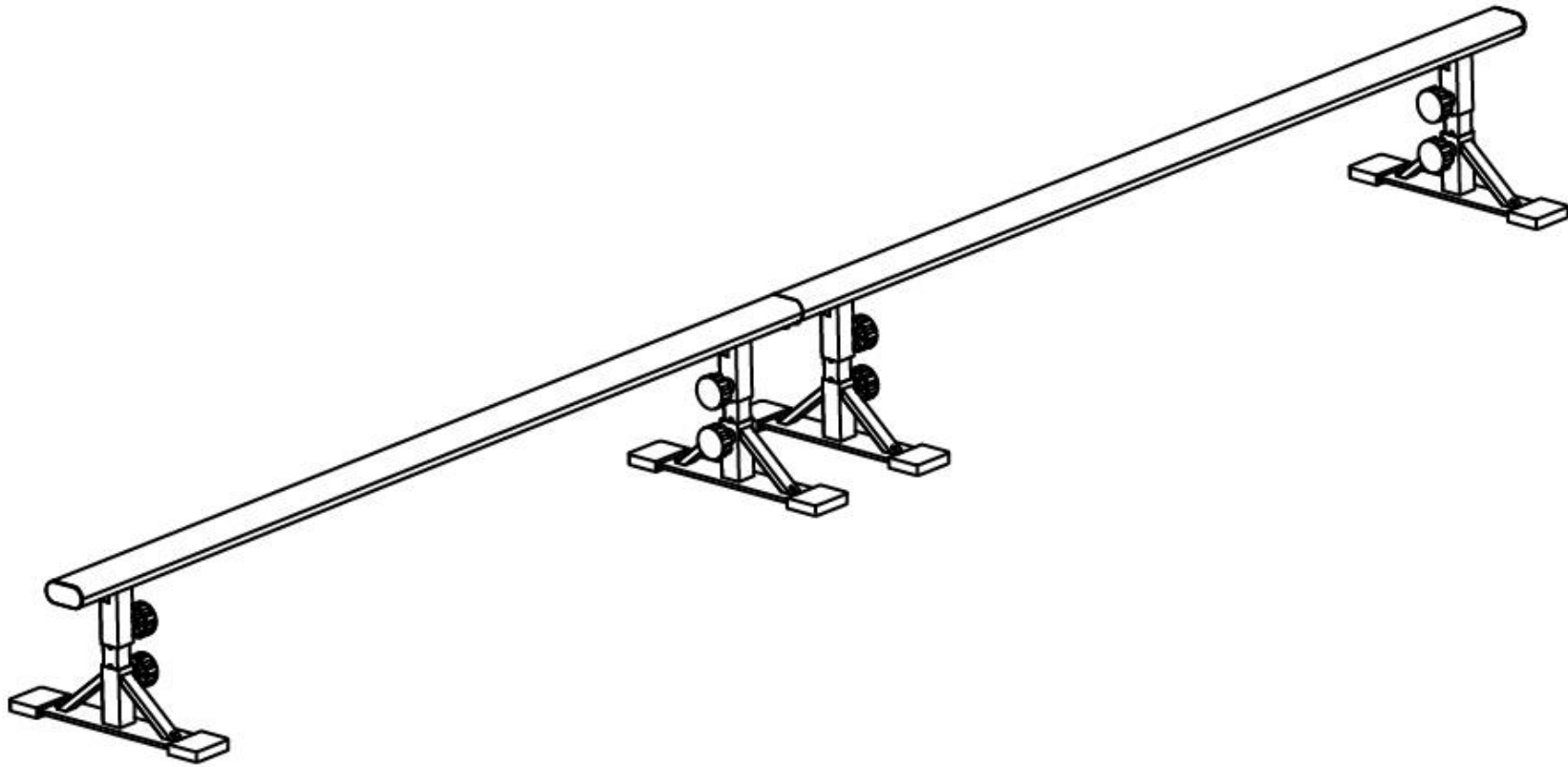
STEP 4

Use the knobs provided to secure the feet into place

Insert the knob through the hole in the leg and screw the knob in until it is tight



LINKING GRIND RAILS



ATTATCHING HINGE

STEP 1

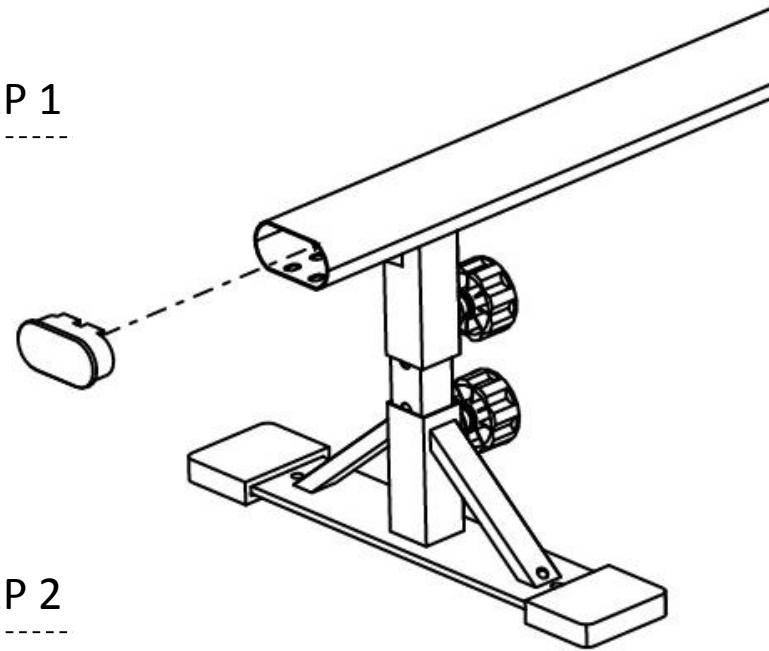
Take off an end cap off of each grind rail to expose the holes

Step 2

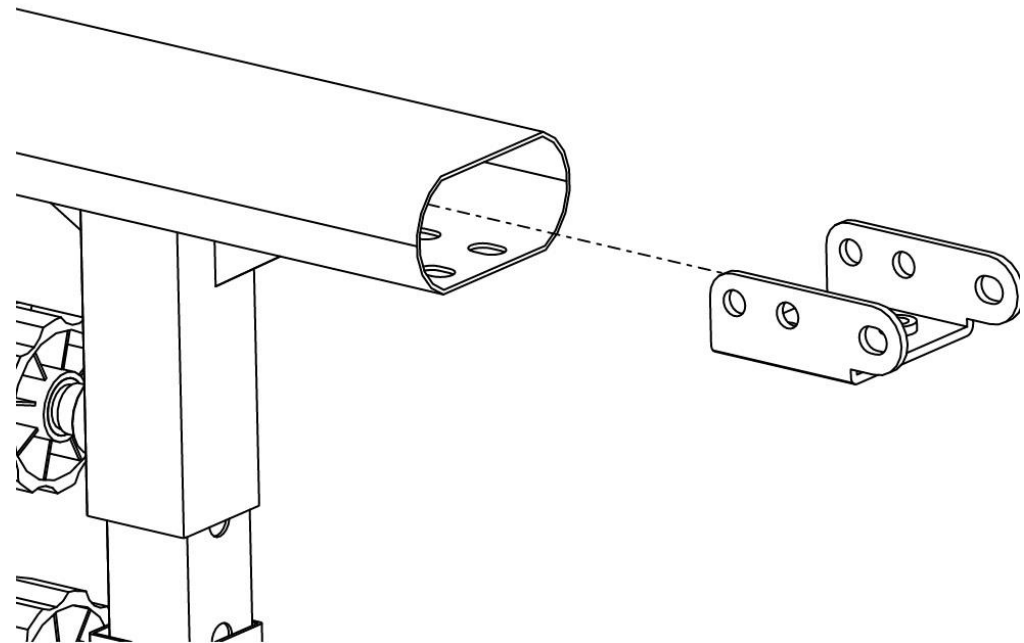
Insert the hinge into one of the grind rails

Align the first 2 holes in the hinge with the first 2 holes in the rail

STEP 1



STEP 2



BOLTING HINGE

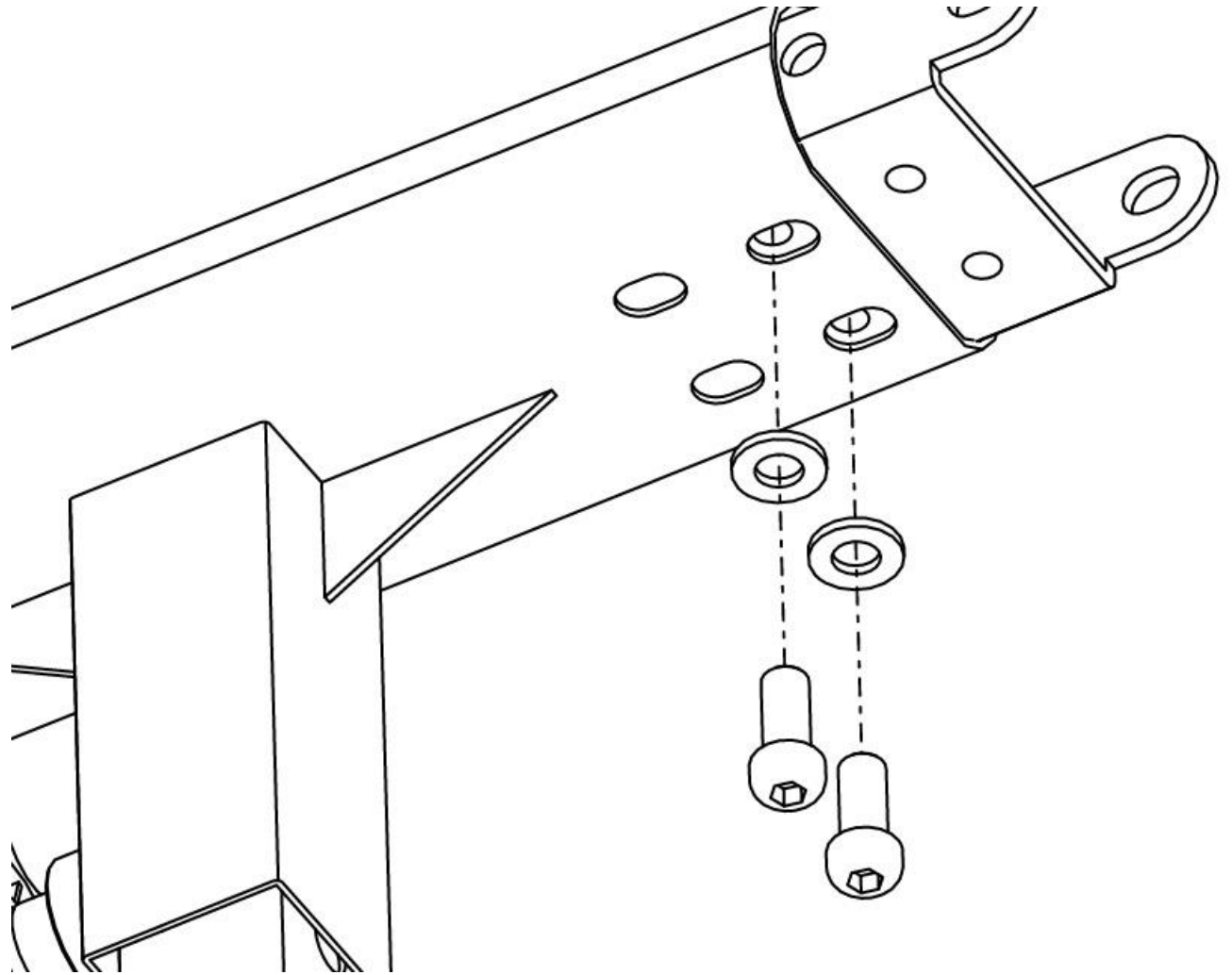
STEP 3

Bolt the hinge onto the rail at the first two holes with the washers and bolts provided

Place a washer on each bolt and screw each one into the threads of the hinge

Caution

Leave the bolts a little loose in case you have to adjust the gap in between the 2 rails when you are done



BOLTING RAILS

STEP 4

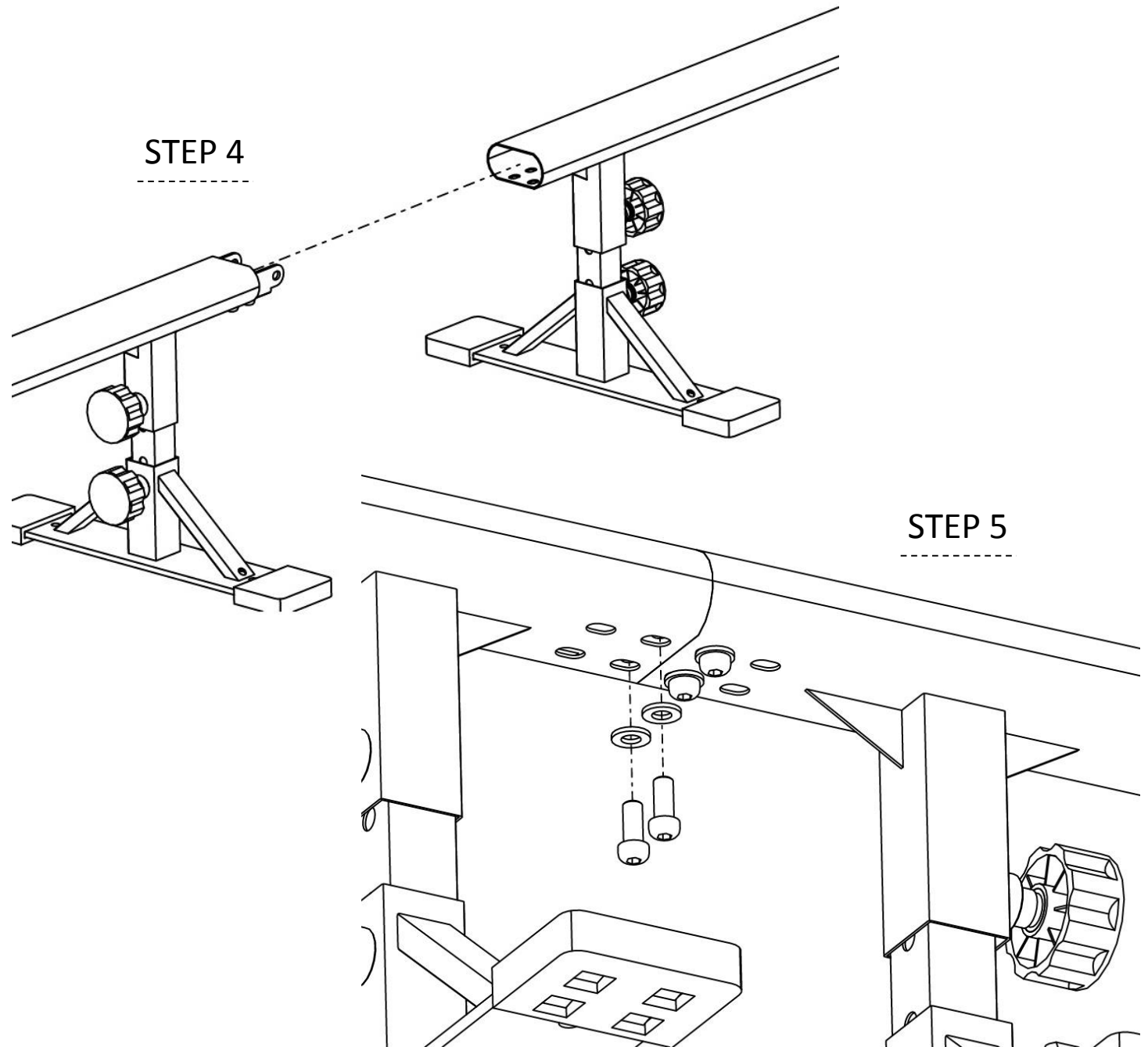
Bring the 2 rails together so the hinge is inserted into the other

Align the other 2 left over holes of the hinge with the first two holes of the rail

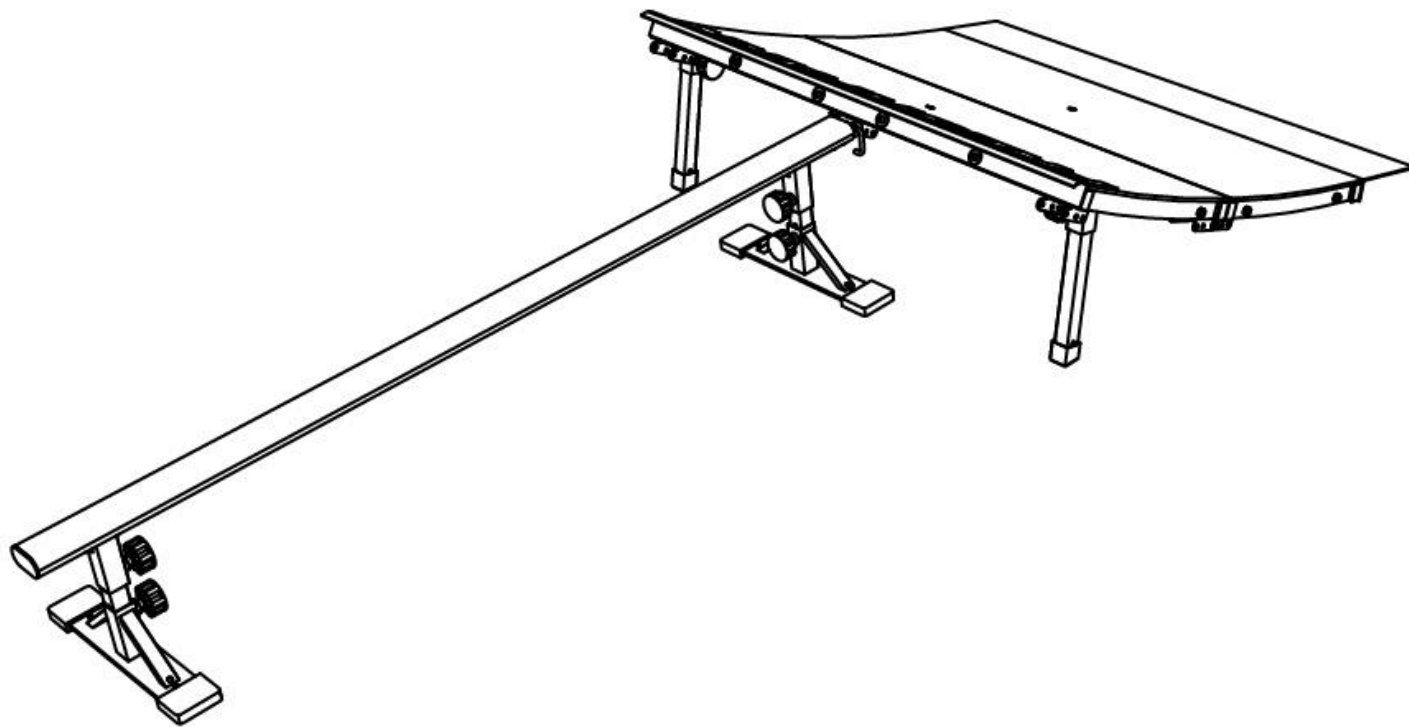
STEP 5

Place a small washer onto each bolt and screw them into the 2 left over holes in the hinge

Bring the 2 rails together so they are flush and tighten all of the bolts



LINKING GRIND RAIL WITH LAUNCH RAMP



ATTATCHING HINGE

STEP 1

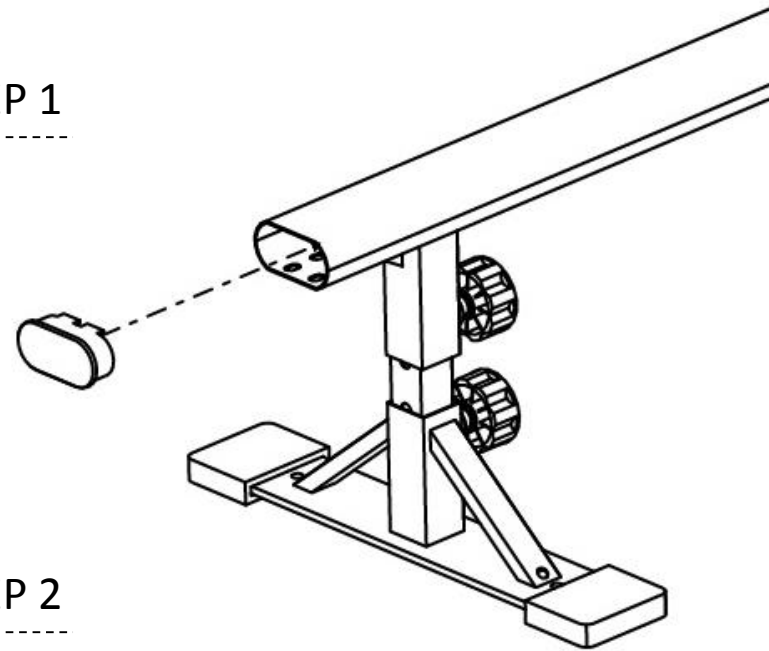
Take off an end cap off of each grind rail to expose the holes

Step 2

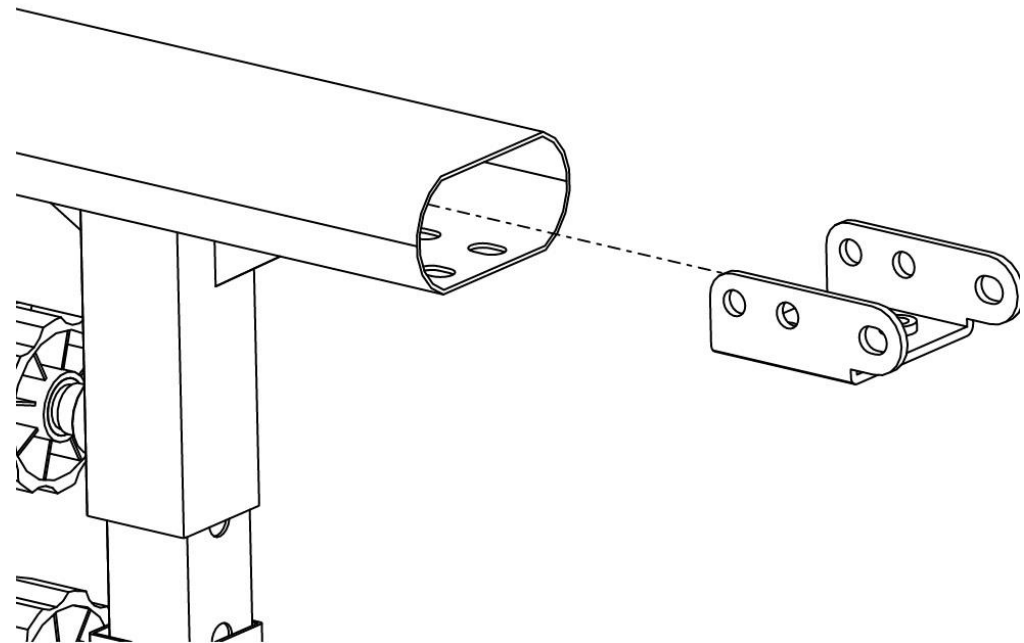
Insert the hinge into one of the grind rails

Align the first 2 holes in the hinge with the first 2 holes in the rail

STEP 1



STEP 2

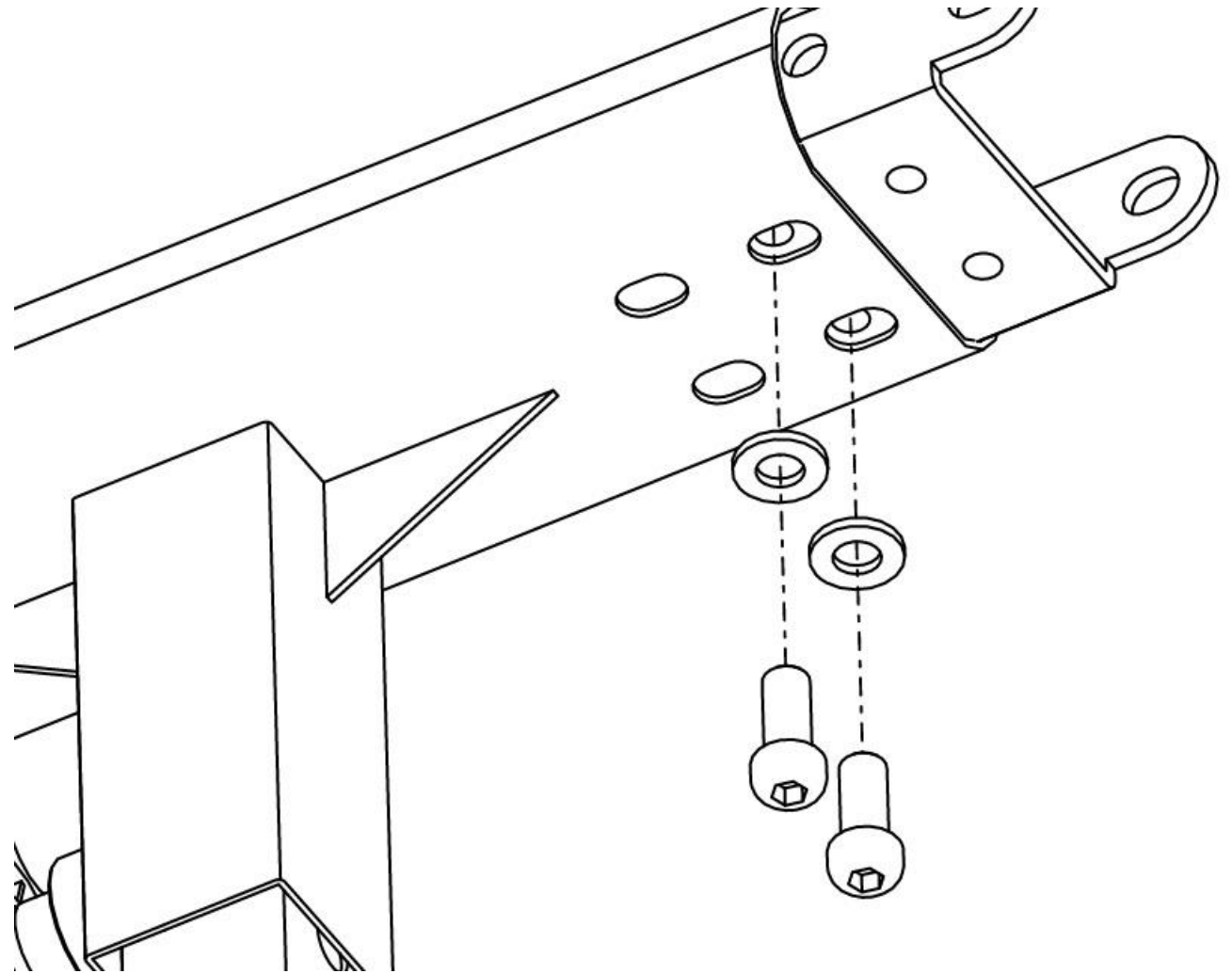


BOLTING HINGE

STEP 3

Bolt the hinge onto the rail at the first two holes with the washers and bolts provided

Place a washer on each bolt and screw each one into the threads of the hinge



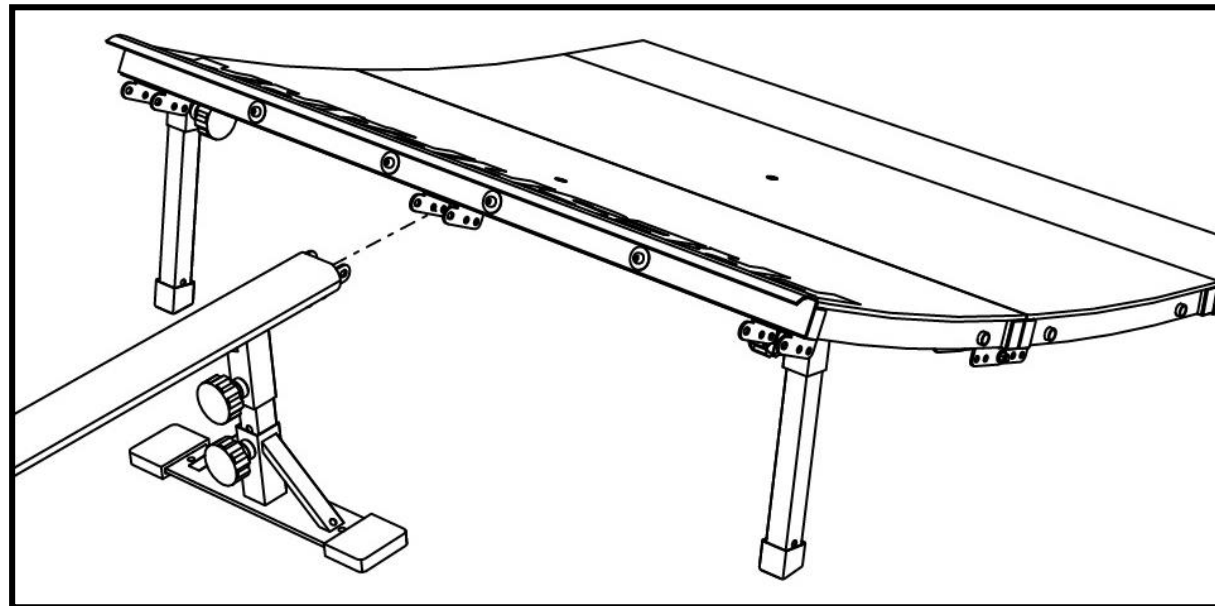
ALIGNING PIECES

STEP 4

Align the hinges together so the holes meet each other

Attach the grind rail to any hinge on the launch ramp

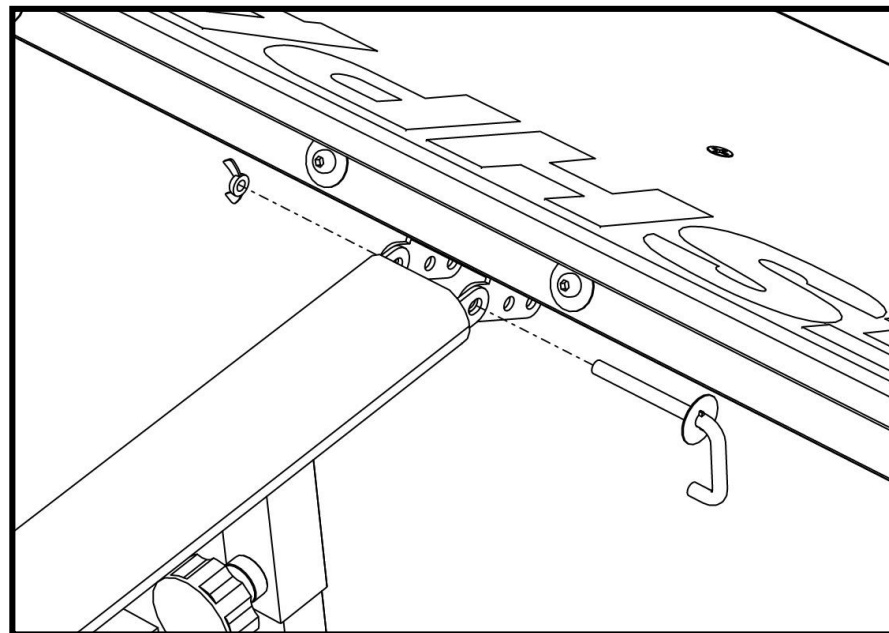
STEP 4



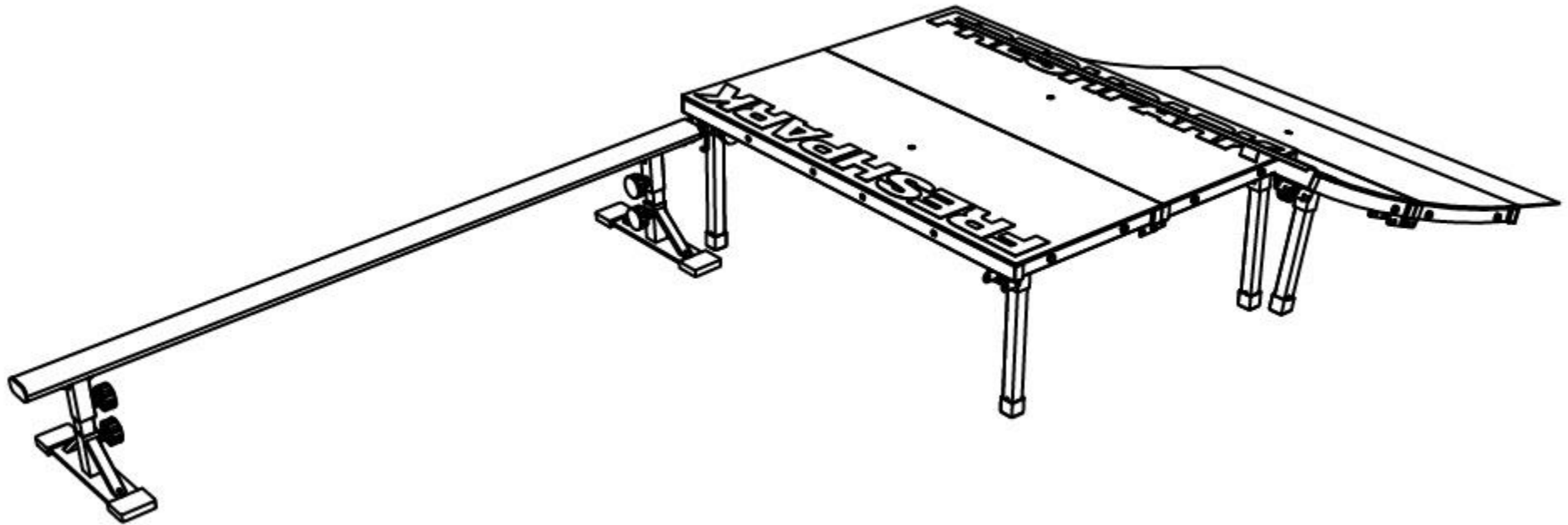
STEP 5

Place a big washer on a J-bolt and slide it through both hinges and follow it with a wing nut on the other side to tighten it to the launch ramp

STEP 5



LINKING GRIND RAIL WITH FUNBOX



ATTATCHING HINGE

STEP 1

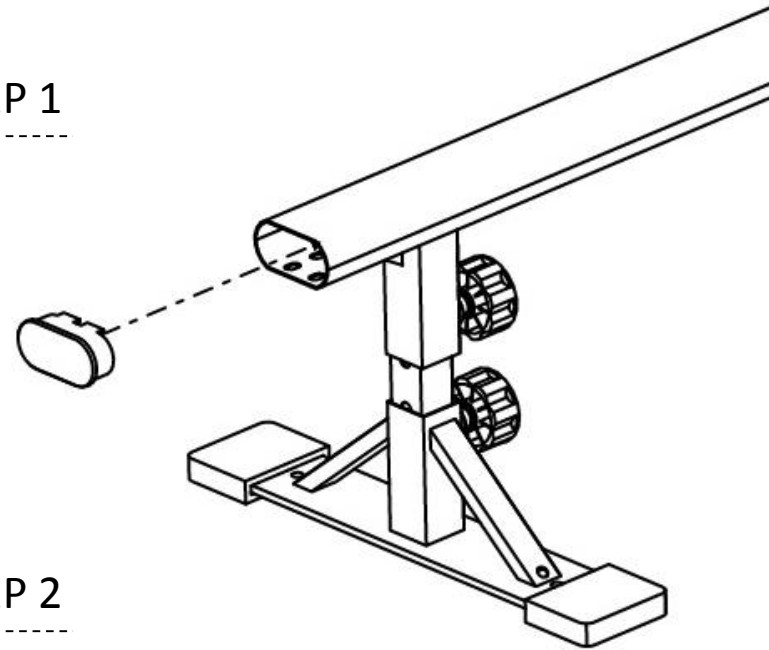
Take off an end cap off of each grind rail to expose the holes

Step 2

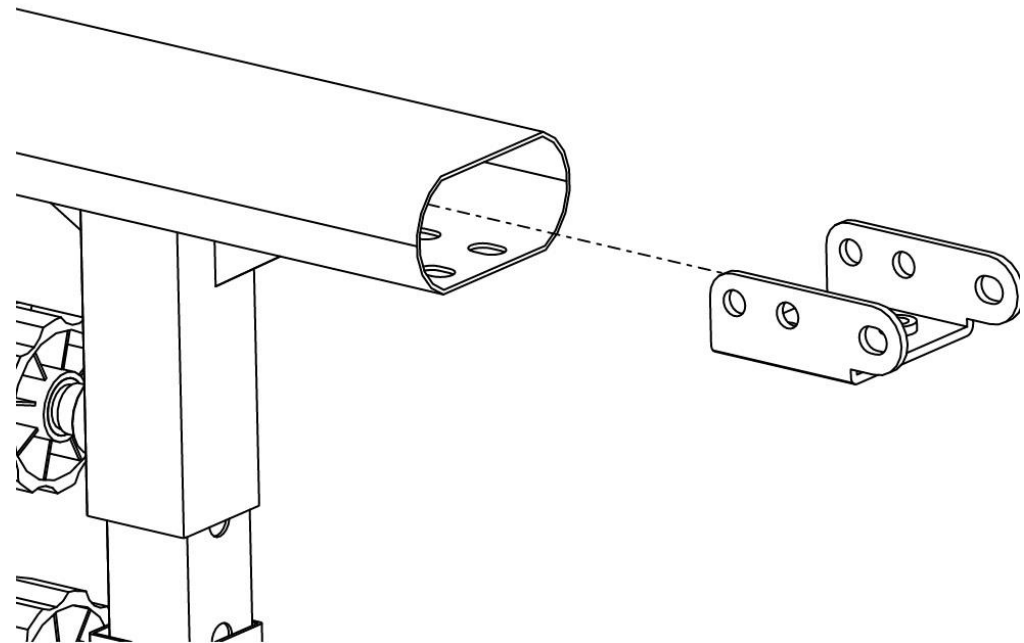
Insert the hinge into one of the grind rails

Align the first 2 holes in the hinge with the first 2 holes in the rail

STEP 1



STEP 2

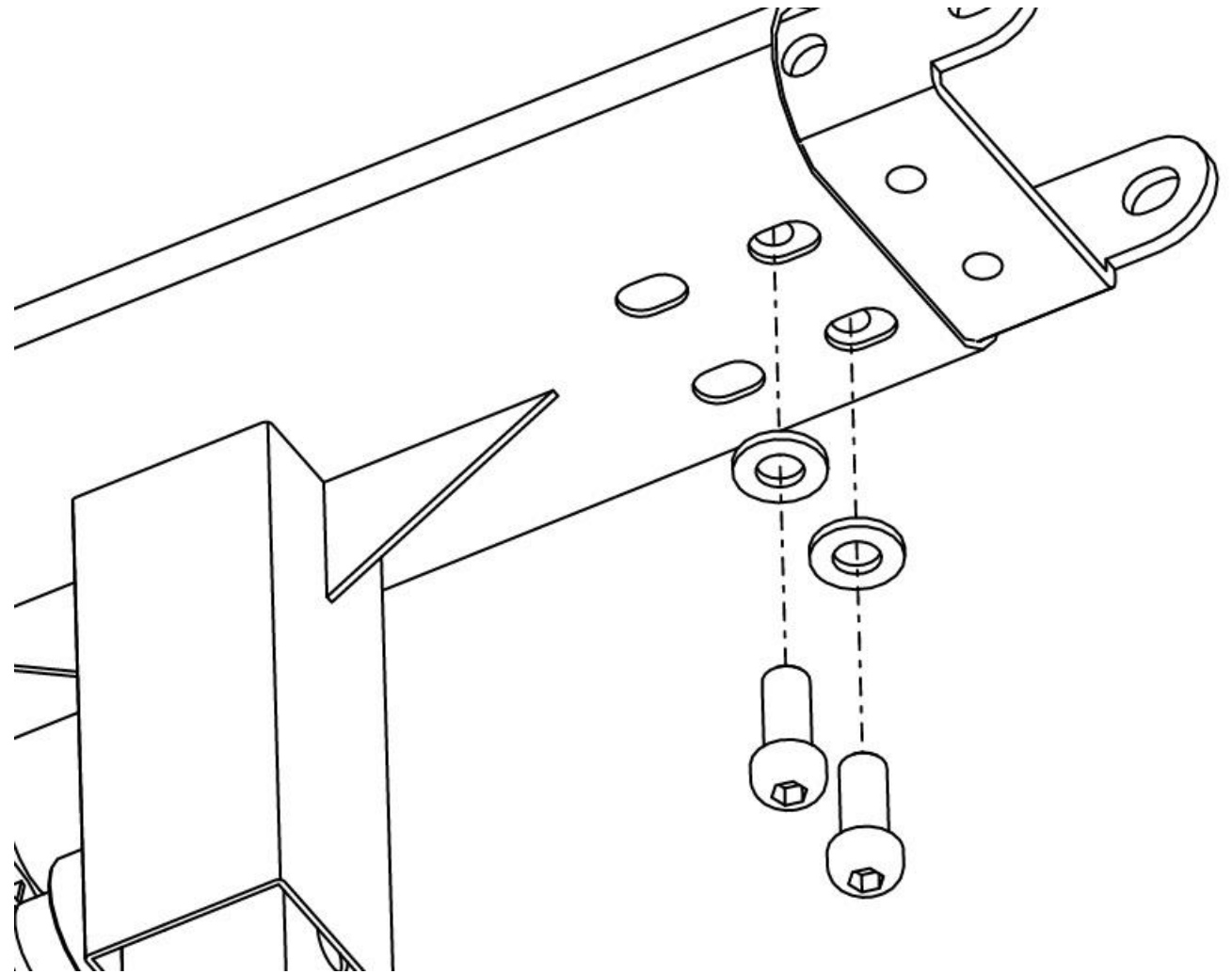


BOLTING HINGE

STEP 3

Bolt the hinge onto the rail at the first two holes with the washers and bolts provided

Place a washer on each bolt and screw each one into the threads of the hinge



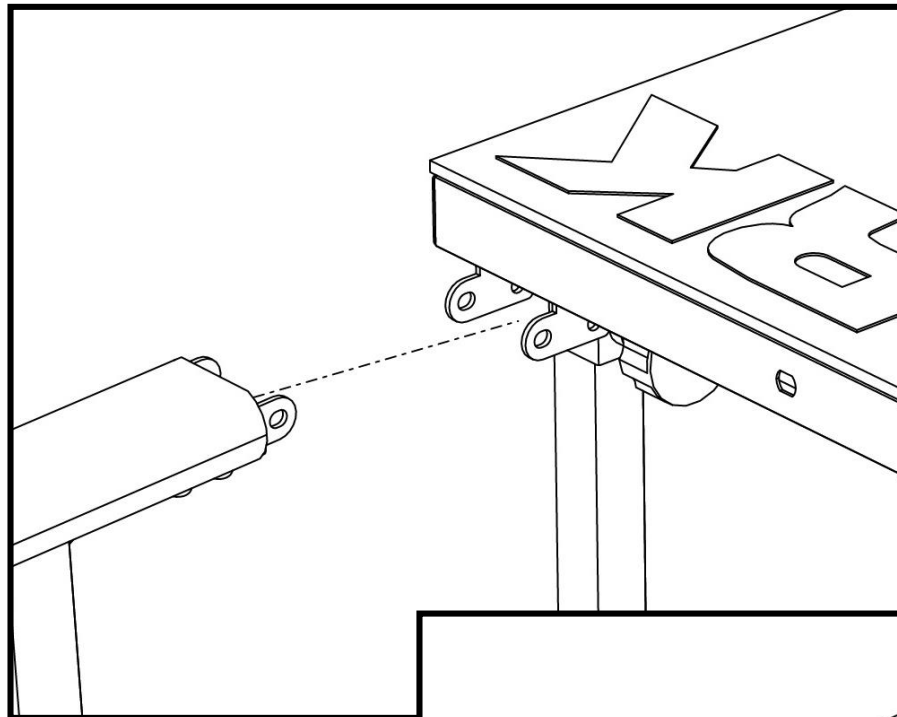
ALIGNING PIECES

STEP 4

Align the hinges together so the holes meet each other

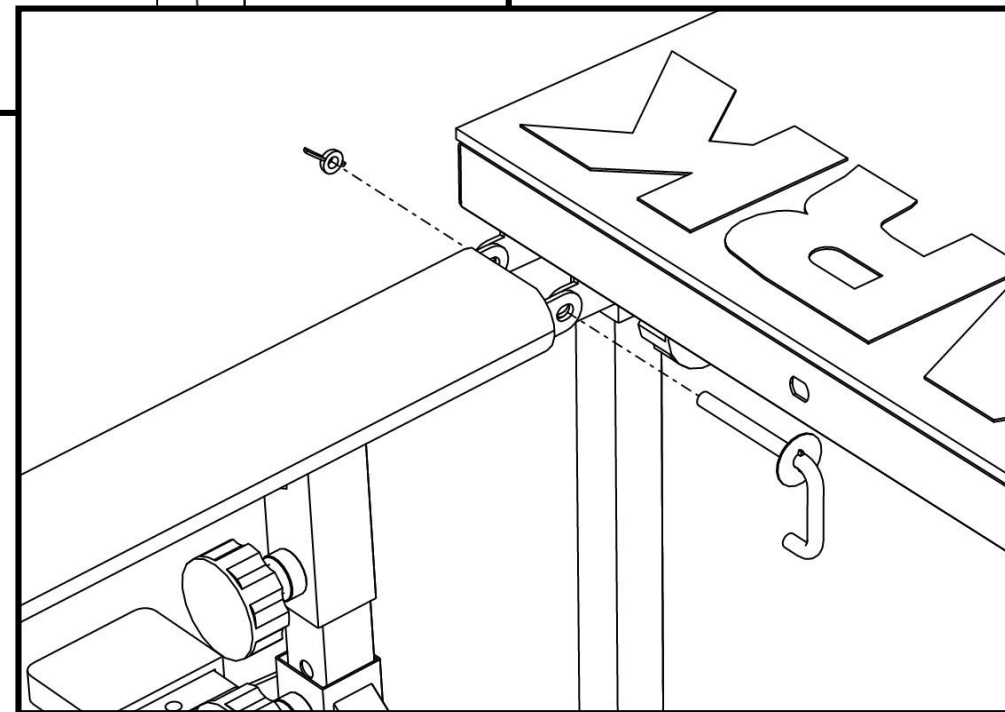
STEP 5

Place a big washer on a J-bolt and slide it through both hinges and follow it with a wing nut on the other side to tighten it to the funbox

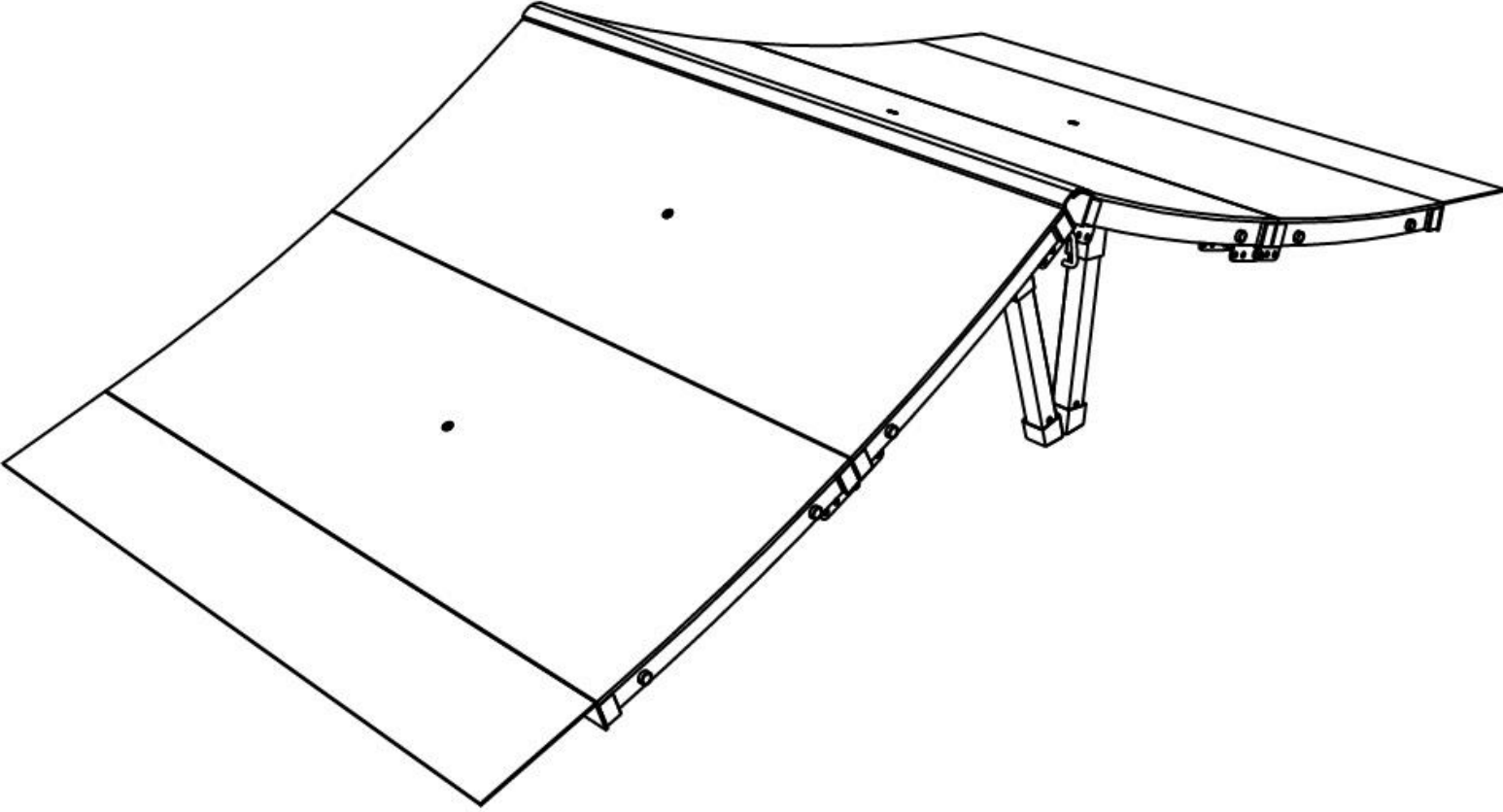


STEP 4

STEP 5



LAUNCH SPINE



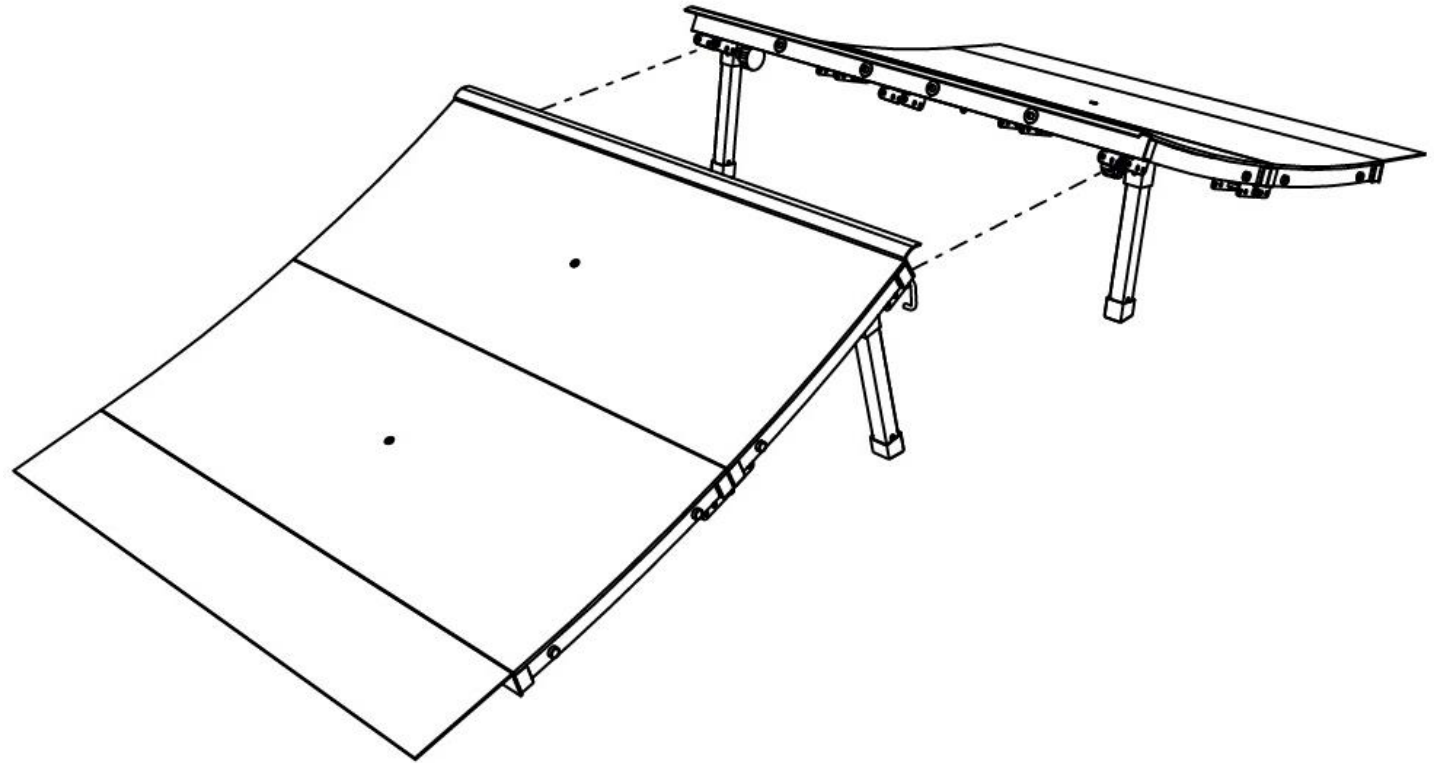
ALIGNING RAMPS

STEP 1

Align the two launch ramps facing each other as shown

Bring them together so the hinges on each side meet

Align the hinges so the sides of the ramp are flush with each other

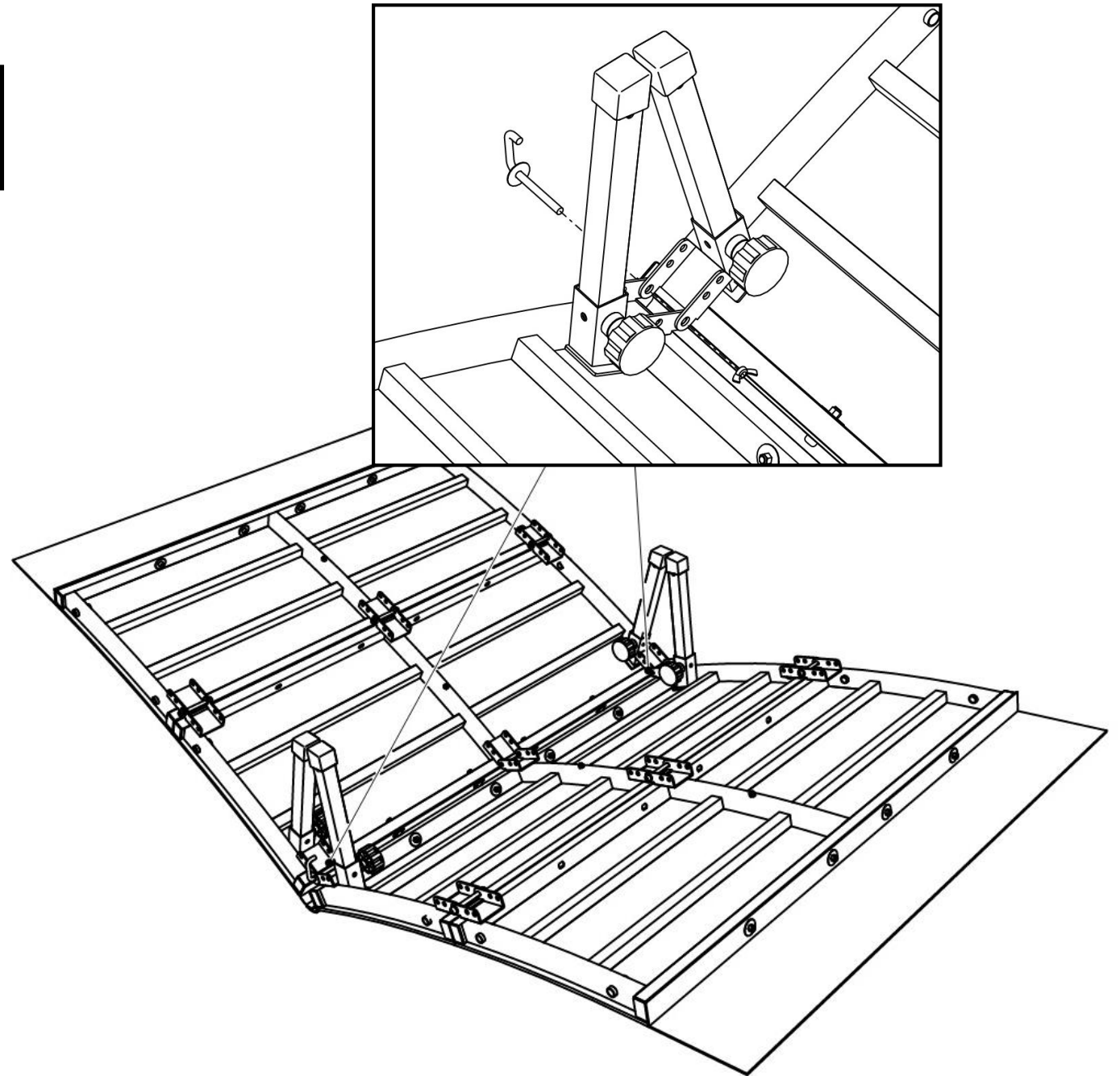


BOLTING RAMPS

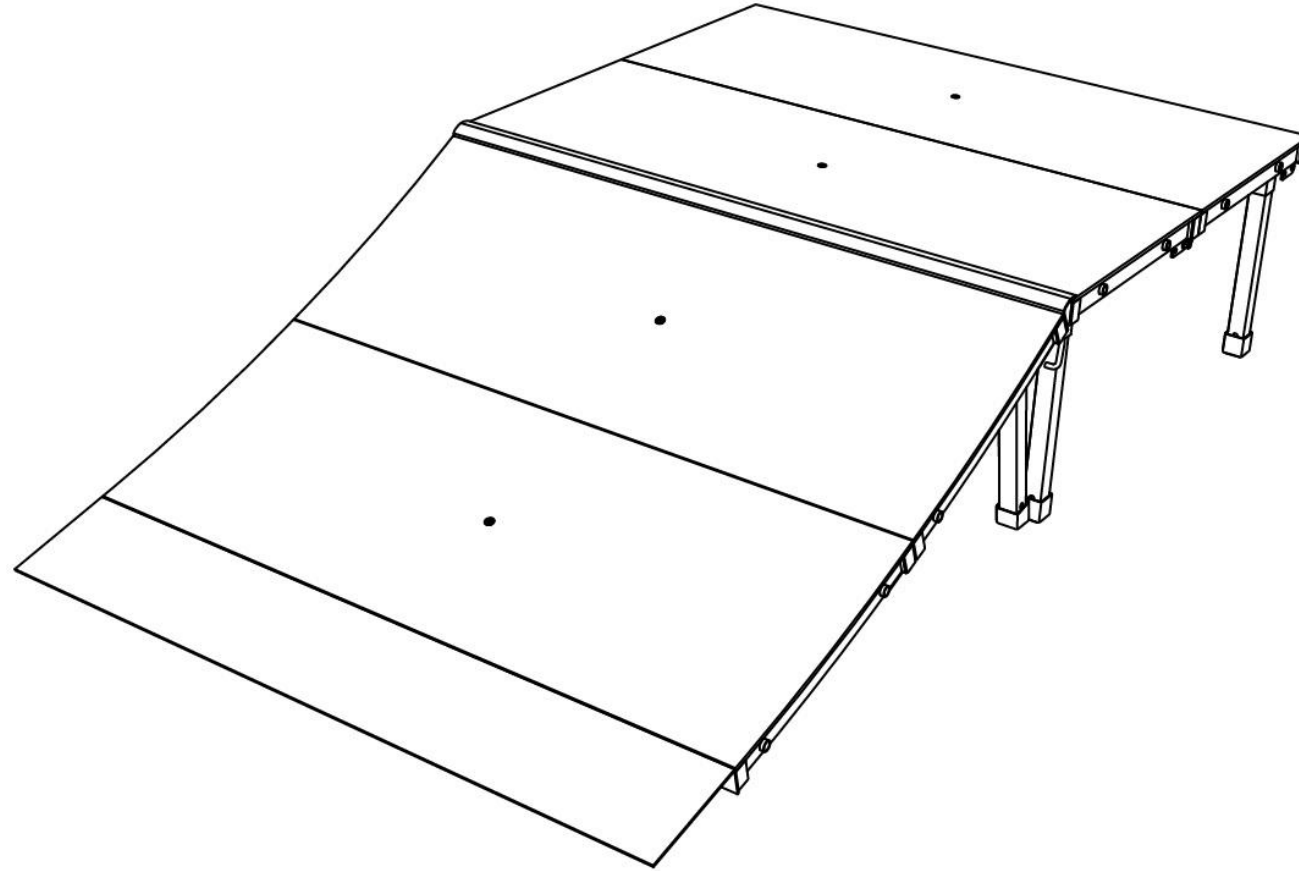
STEP 2

Bolt the ramps together using J-bolts on both hinges

Place a big washer on a J-bolt and slide it through both hinges and use a wing nut on the other side to tighten the ramps together



LINKING FUNBOX WITH LAUNCH RAMP



ALIGNING RAMPS

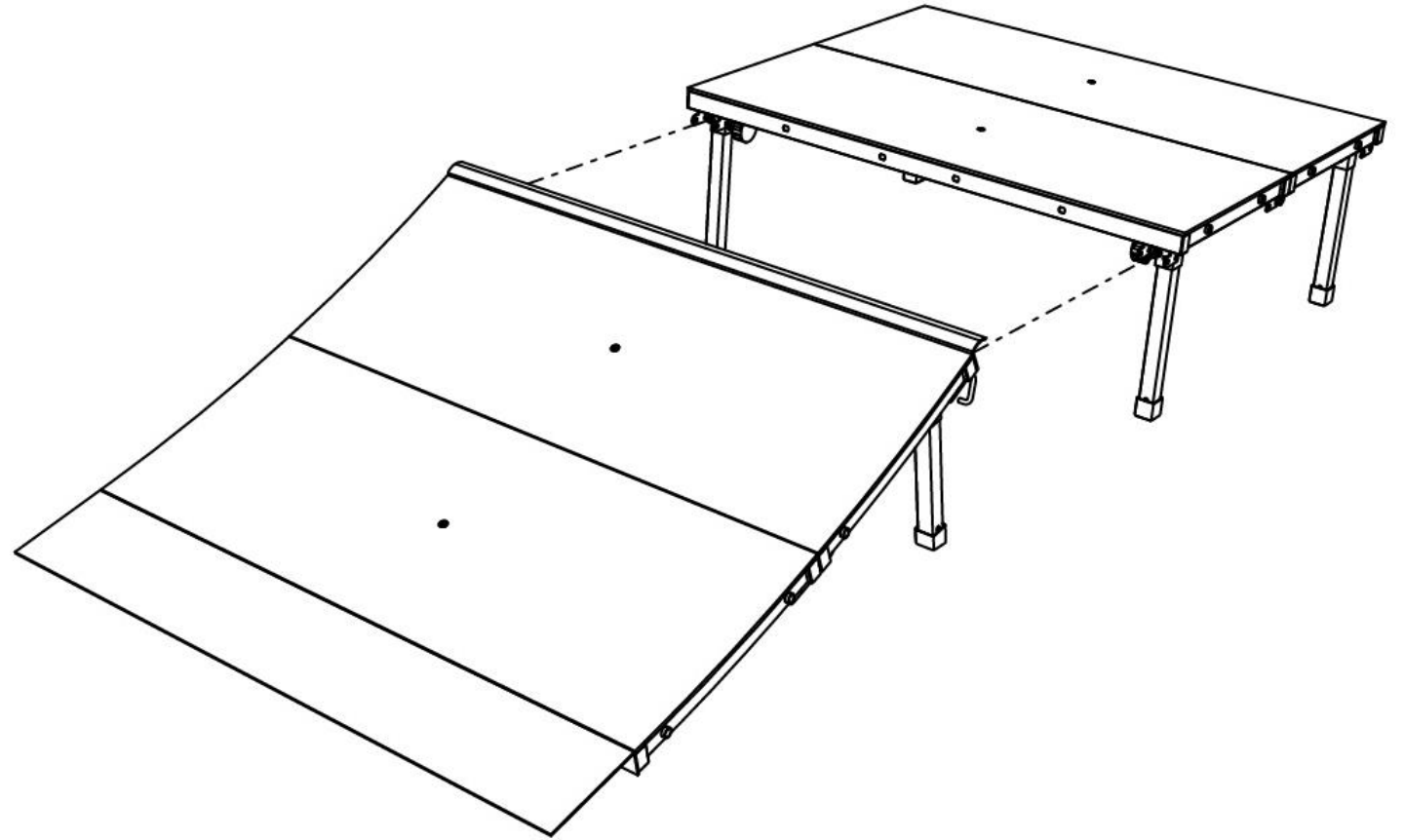
STEP 1

Align the two ramps together so the hinges are facing each other

Bring them together so the hinges on each side meet

Align the hinges so the sides of the ramp are flush with each other

Place the coping of the launch ramp onto the coping of the funbox or align the launch ramps coping so it is flush with the top of the funbox



BOLTING RAMPS

STEP 2

Bolt the ramps together using J-bolts on both hinges

Place a big washer on a J-bolt and slide it through both hinges and use a wing nut on the other side to tighten the ramps together

