

# Contents page

2 - Parts List

3 - Starting gate

30 - Starting gate fixes

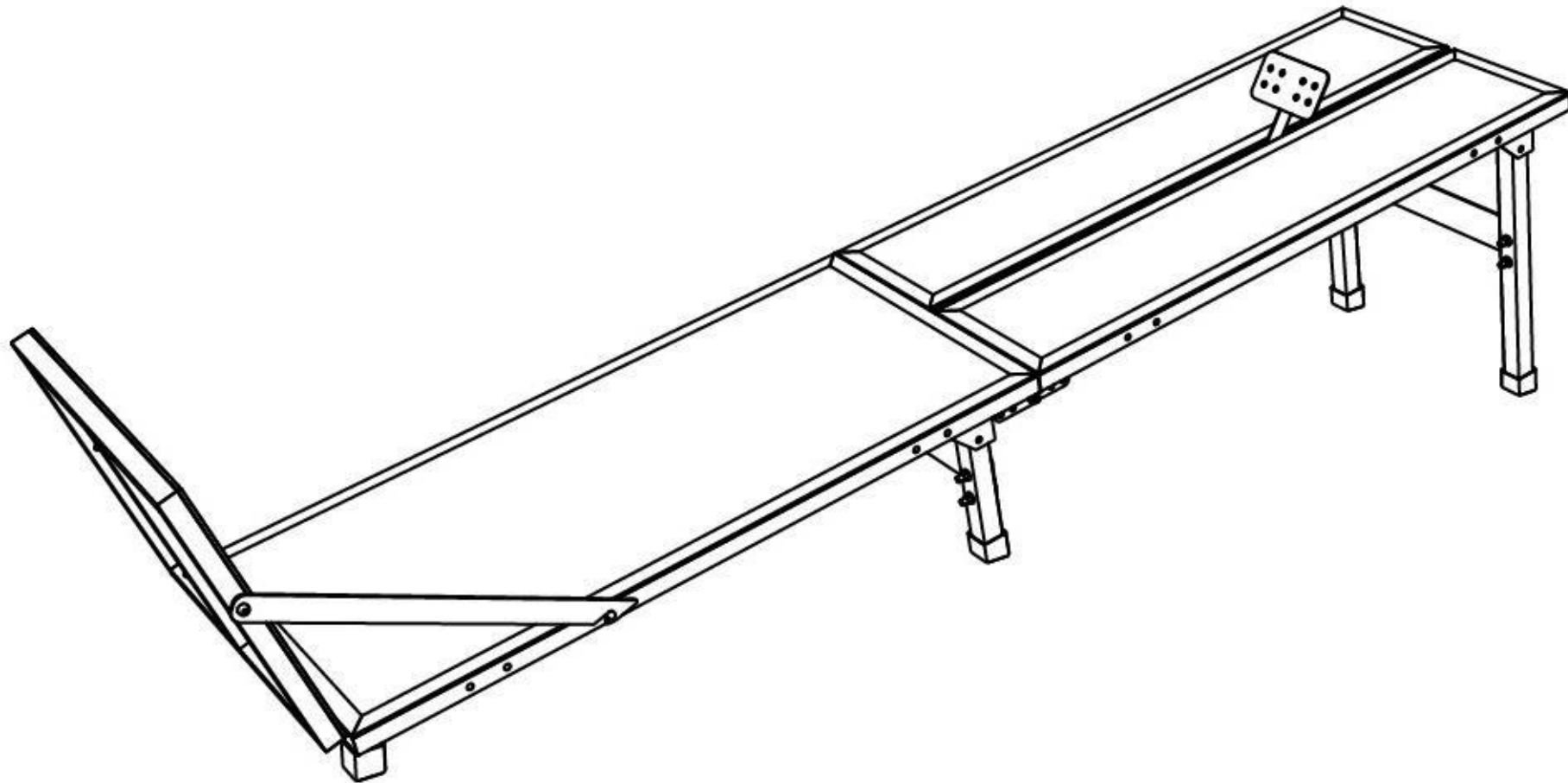
31 - Folding and transporting

# Parts list

- 2 - Panels
- 1 - Gate
- 2 - Short legs
- 2 - Long legs
- 6 - Rubber feet
- 4 - J-bolts
- 2 - 3" bolts
- 14 - 2" bolts
- 8 - Small washers
- 10 - Medium washers
- 4 - Large washers
- 4 - Small hinge bolts
- 4 - Large hinge bolts
- 8 - Small hinge lock nuts
- 17 - Lock nuts
- 1 - Release plate
- 1 - Release pedal
- 1 - Release bracket
- 1 - Cable
- 3 - Springs
- 4 - Wing nuts
- 1 - Phillips screw
- 1 - 1" bolt
- 1 - Release pin with cotter pin
- 1 - Small pin and cotter pin for pedal
- 2 - Hinges
- 1 - Straight locking plate



# Starting Gate instructions

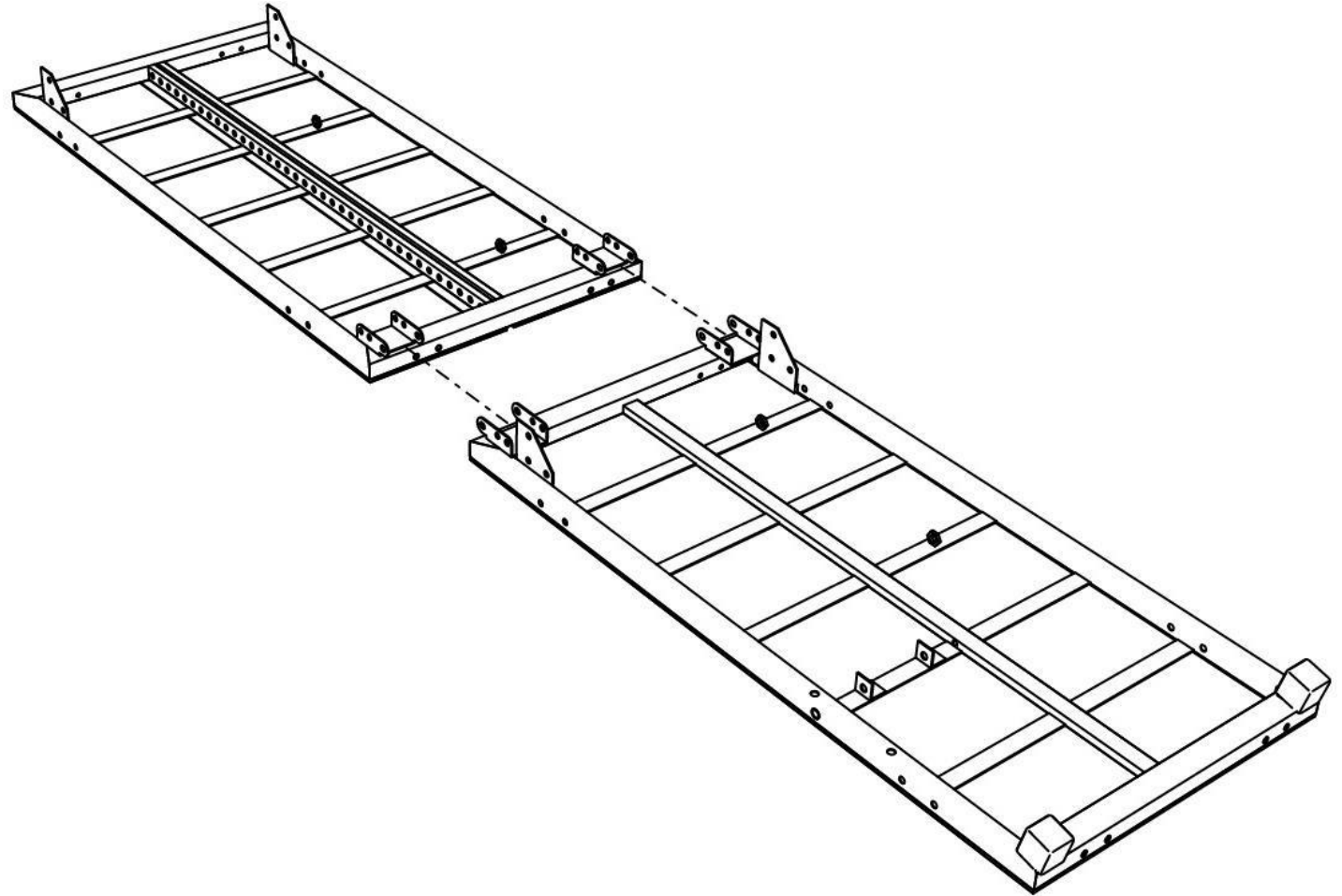


# Attaching panels

## STEP 1

Align the two panels with the hinges together

Align the panels so the edges of panels are flush with each other



# Attaching panels

## STEP 2

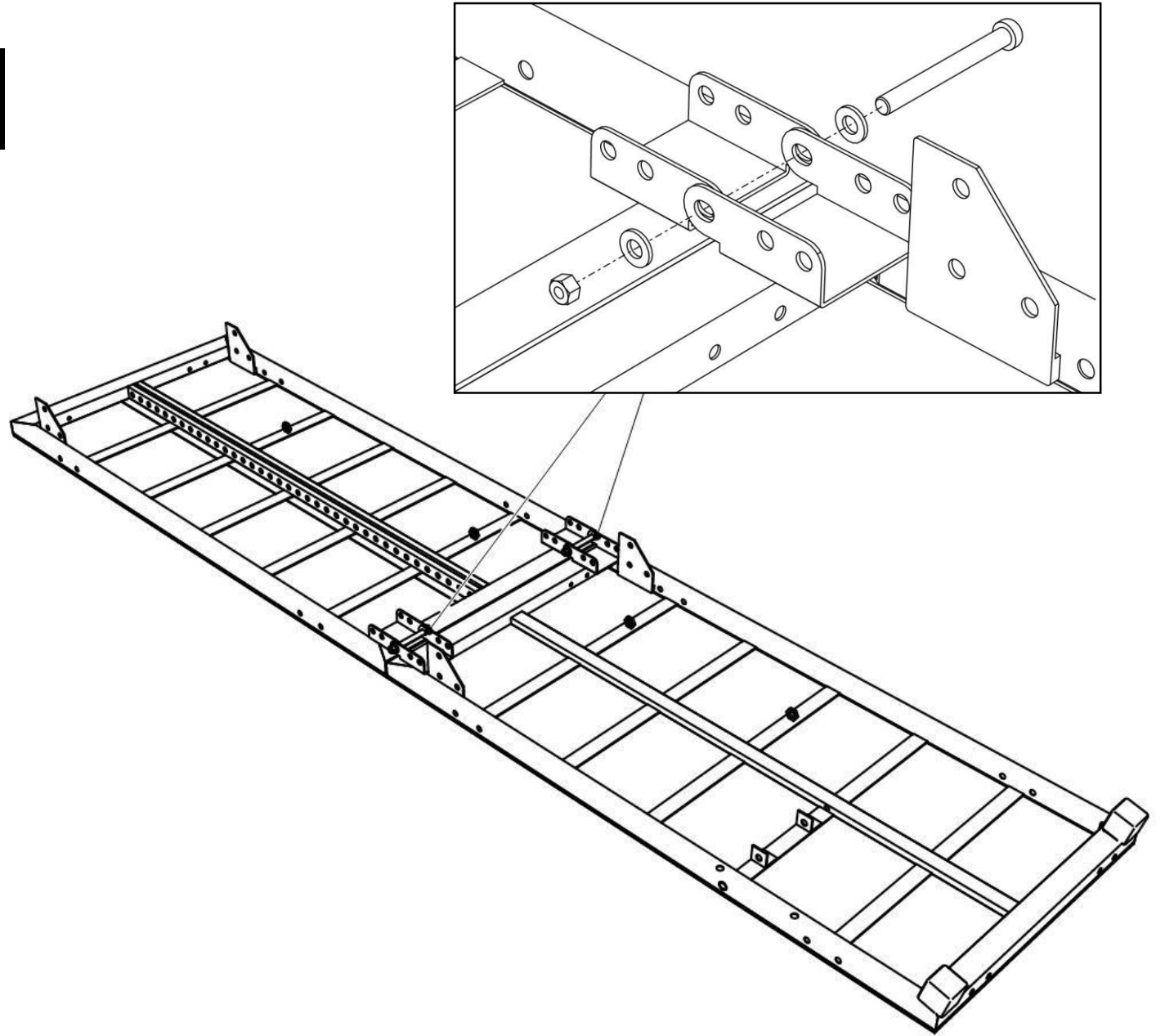
Bolt together the panels using the 3" bolts provided on the 2 hinges

Place a small washer on the 3" bolt and insert it through both hinges

Follow it with a small washer and a lock nut to tighten the hinges together

### Caution:

Do not tighten the bolts too tight to allow the hinges to freely move



# Gate assembly

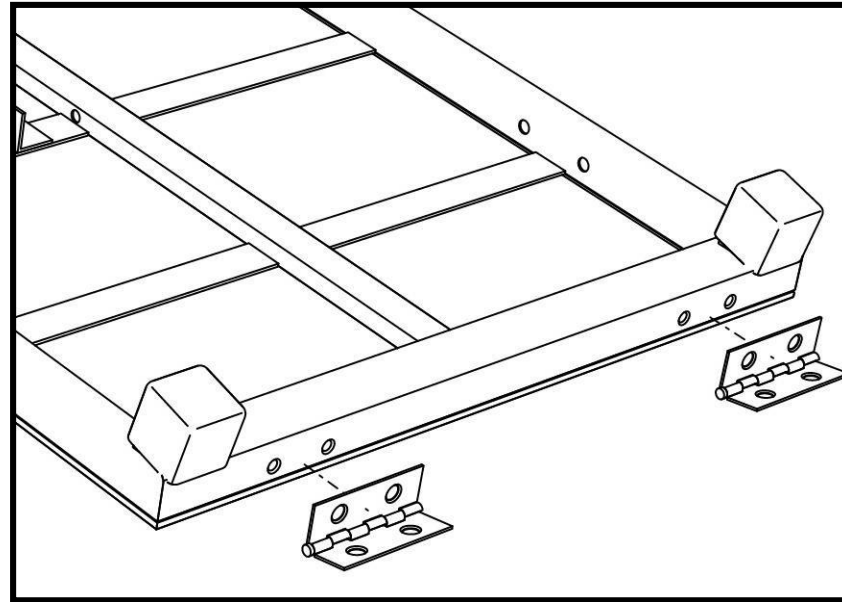
## STEP 3

Place the two piano hinges on the holes at the end of the starting gate

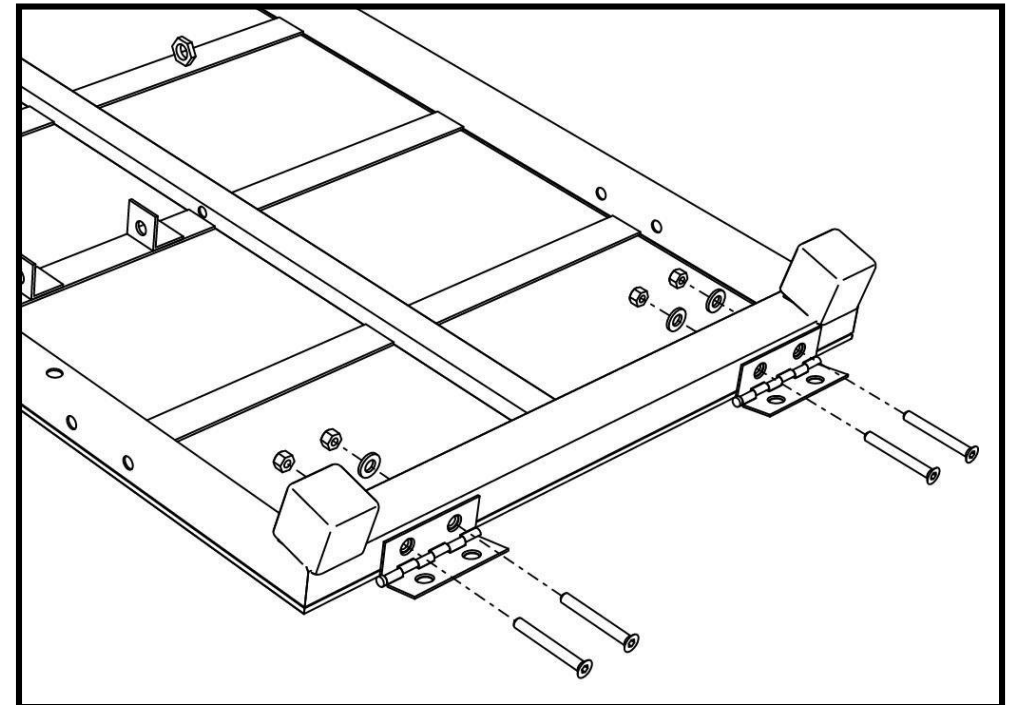
## STEP 4

Use the 4 long countersunk bolts to place through the hinges and holes of the tubing

Follow them with the small washers and lock nuts provided



STEP 3



STEP 4

# Gate assembly

## STEP 5

Place the starting gate on its side to bolt the gate on easier

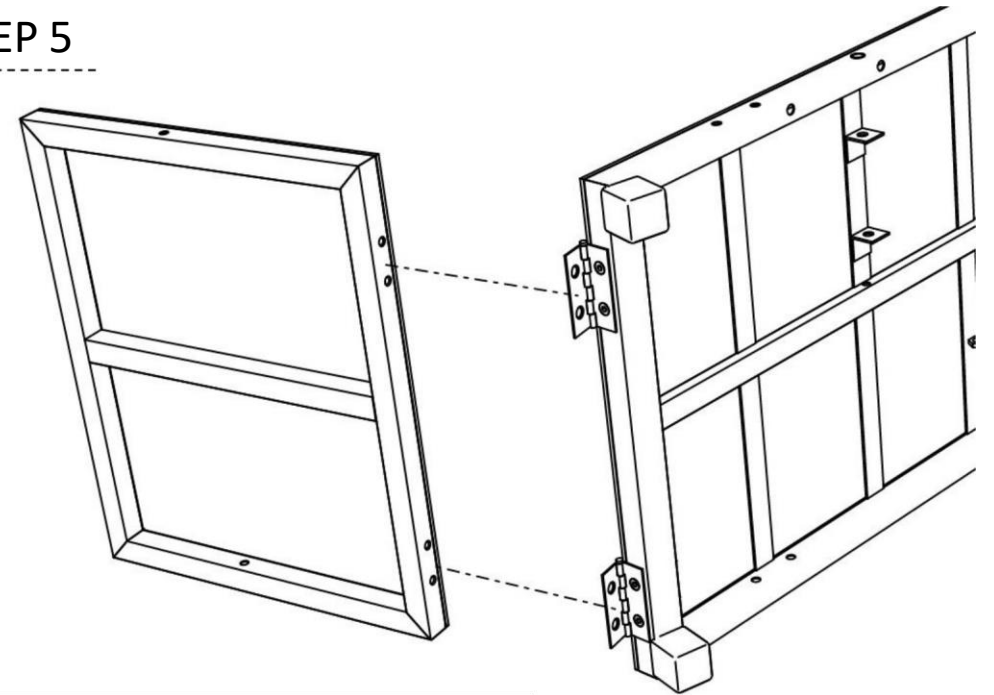
Align the holes on the bottom of the gate with the holes in the piano hinges

## STEP 6

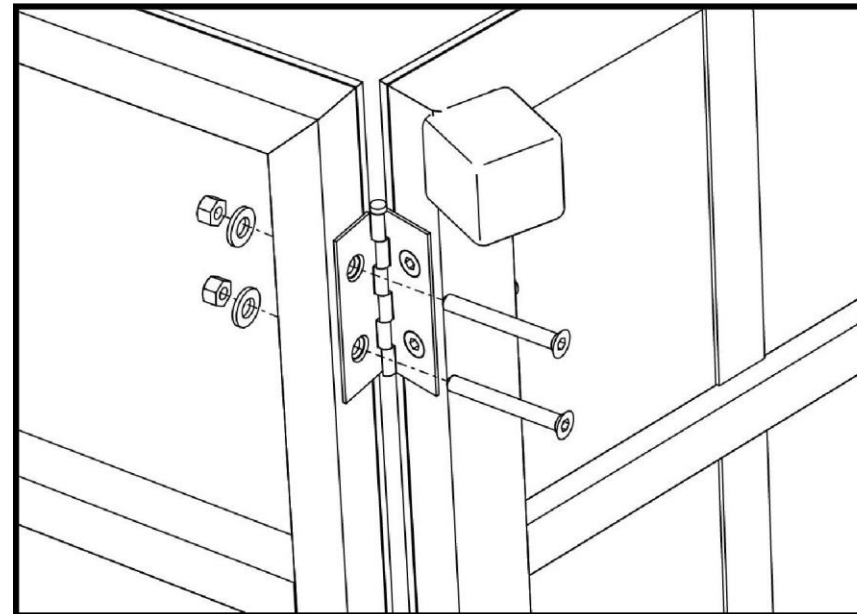
Use the 4 smaller countersunk bolts to place through the hinges and holes of the tubing

Follow them with the small washers and lock nuts provided

## STEP 5



## STEP 6



# leg assembly

## STEP 7

Align the top holes in the legs with the middle hole in the triangle plate

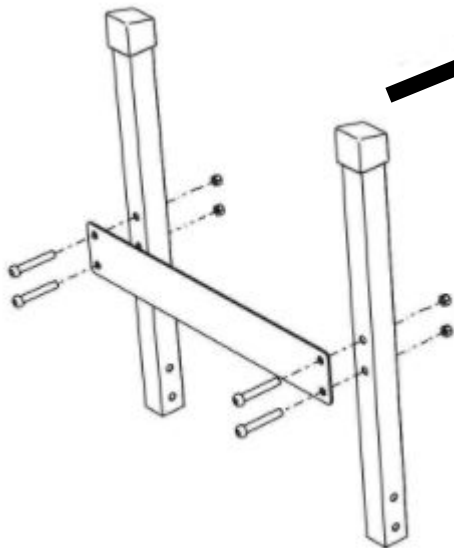
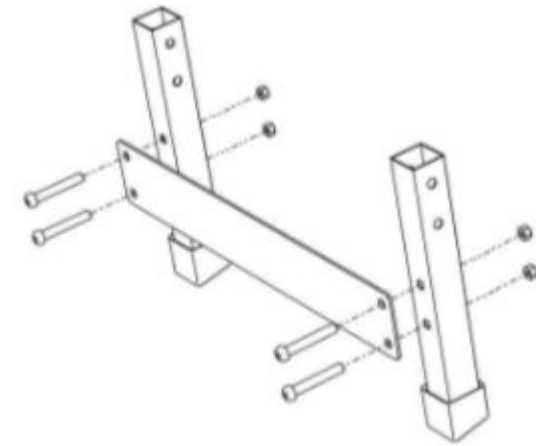
The large leg assembly should be at the back of the starting gate on the panel with the slot in it

The short leg assembly should be in the middle of the starting gate by the hinges

Place the two short legs so they are facing away from the plate as shown

Align the two holes on each leg with the holes at the end of the plate

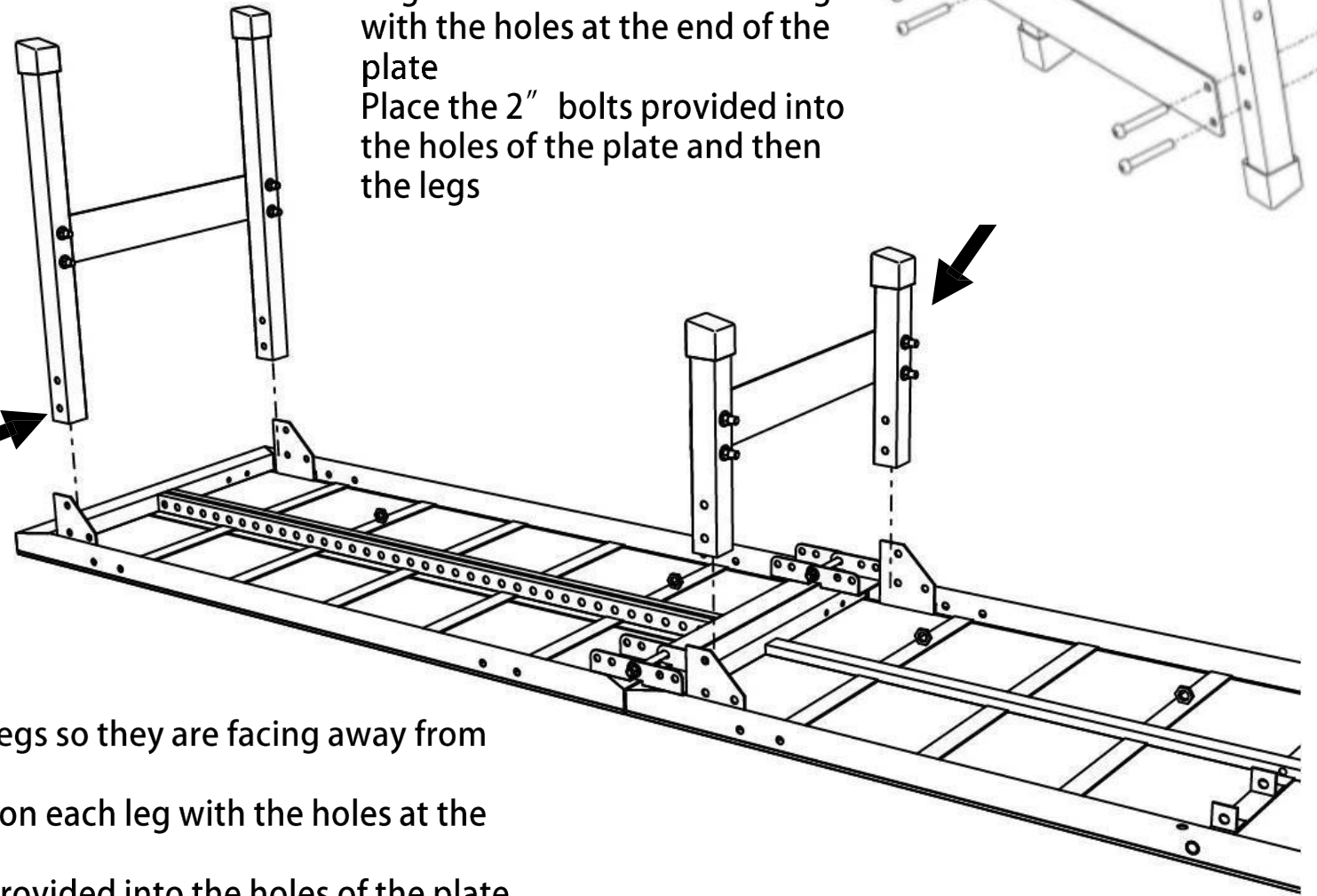
Place the 2" bolts provided into the holes of the plate and then the legs



Place the two long legs so they are facing away from the plate as shown

Align the two holes on each leg with the holes at the end of the plate

Place the 2" bolts provided into the holes of the plate and then the legs





# leg assembly

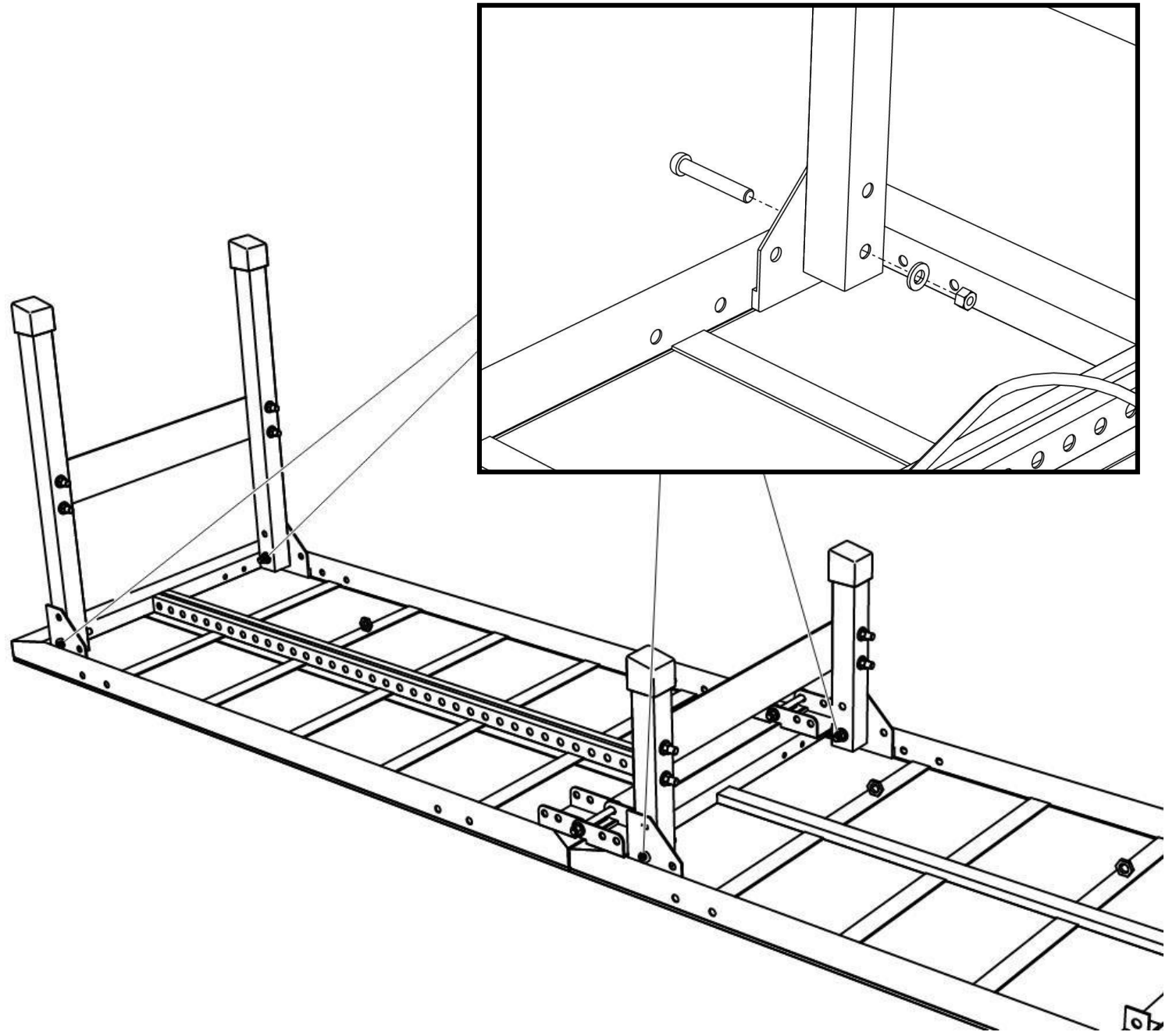
## STEP 8

Place the 2" bolts provided into the holes of the plate and then the legs

Follow it with a washer and lock nut

### Caution:

Do not tighten the bolts too tight to allow the legs to freely move

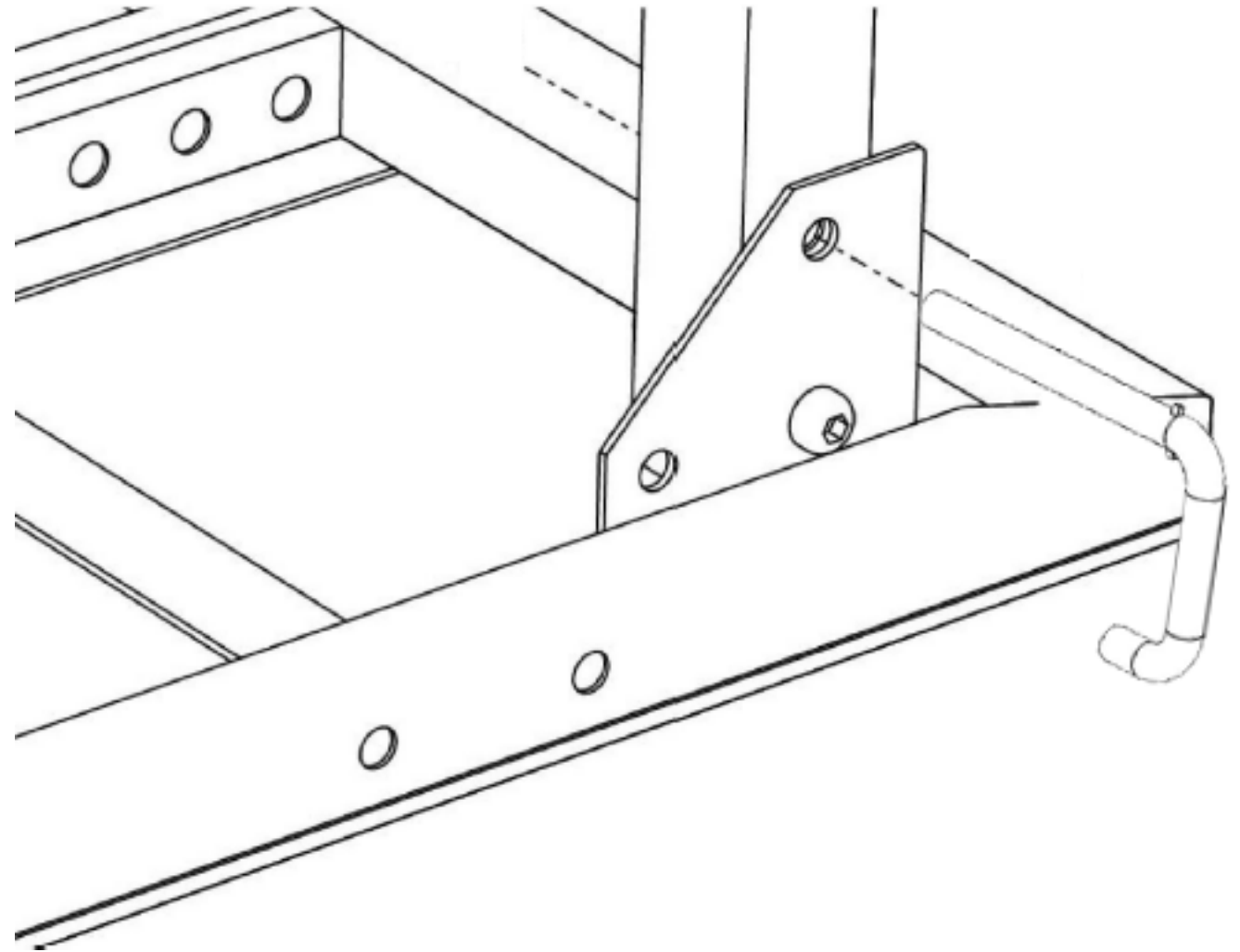


# leg assembly

## STEP 9

Place a J-bolt through the plate and the leg to lock it in the upright position

Follow it with a wing nut to keep it from sliding out



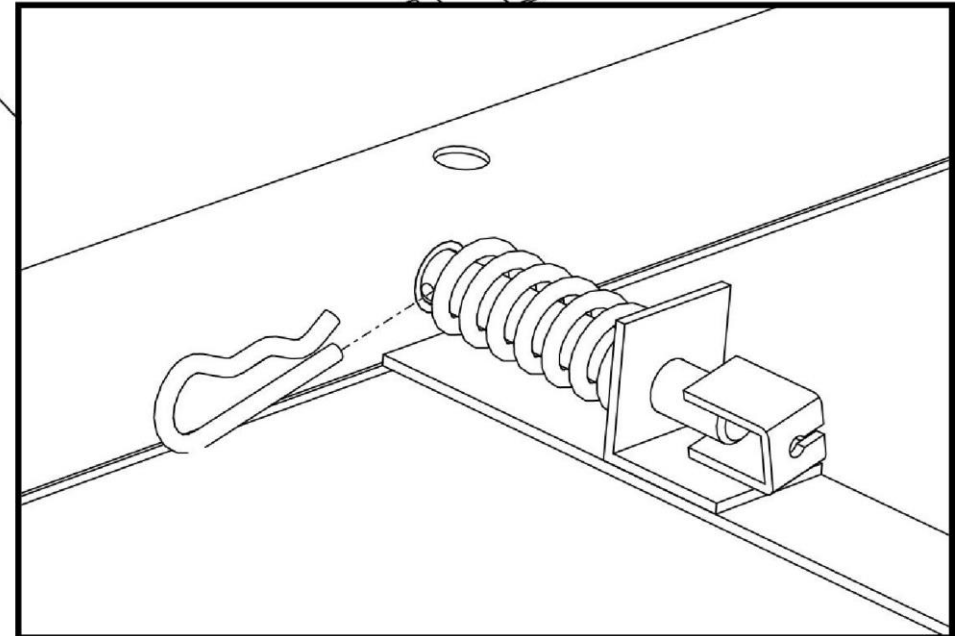
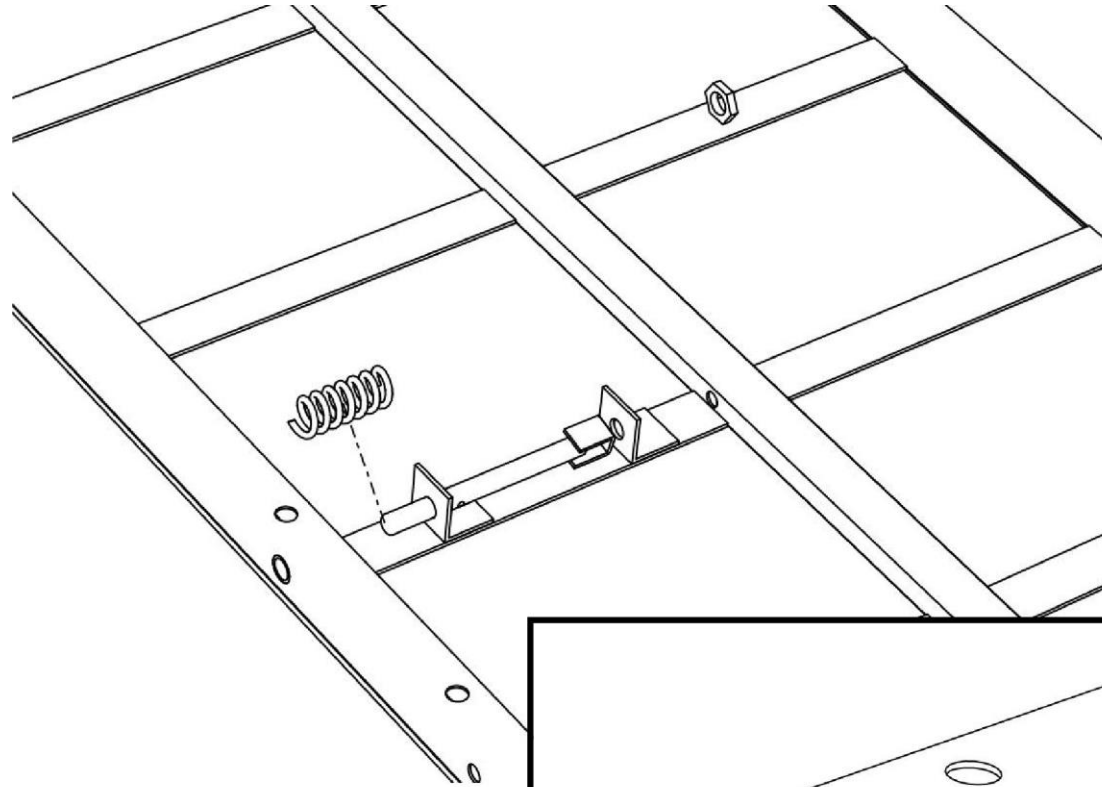
# Pin release

## STEP 10

Take the chrome release pin and insert it into the first tab on the bottom panel

Place both springs onto the release pin and slide it through the tube on the frame

Pull the springs back and place the pin that was provided into the hole on the release pin to hold the springs in-between the pin and tab



# Pin release

## STEP 11

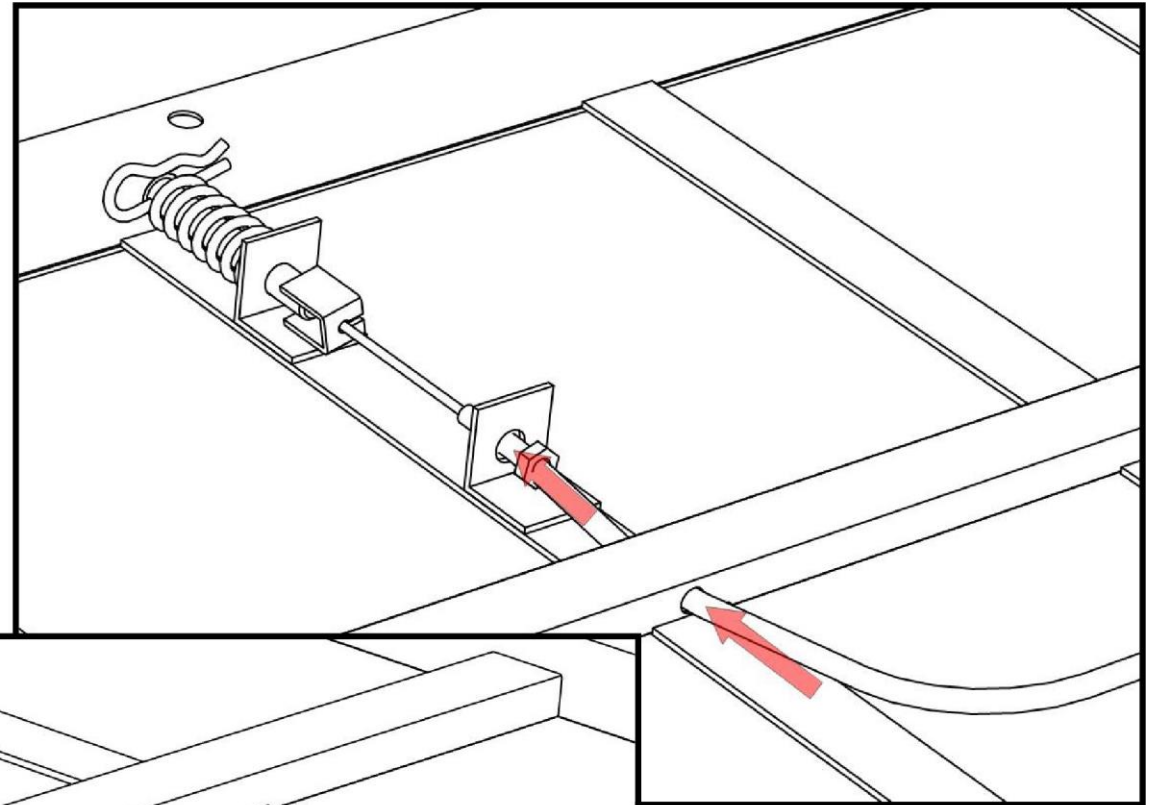
Unwrap the black cable and slide one end through the middle tube on the frame near the tabs

Unscrew one of the nuts on the end of the cable so that the end of the cable can go through the second tab that is left

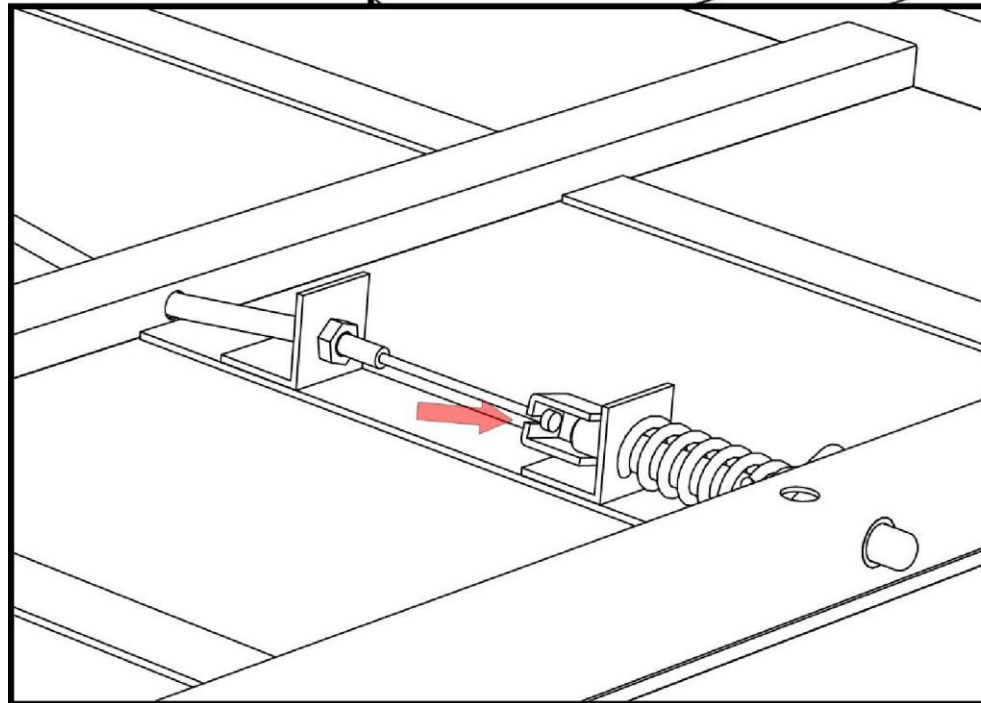
## STEP 12

Slide the end of the cable on the release pin so it falls into the slotted hole at the end of the pin

## STEP 11



## STEP 12



# Pin release

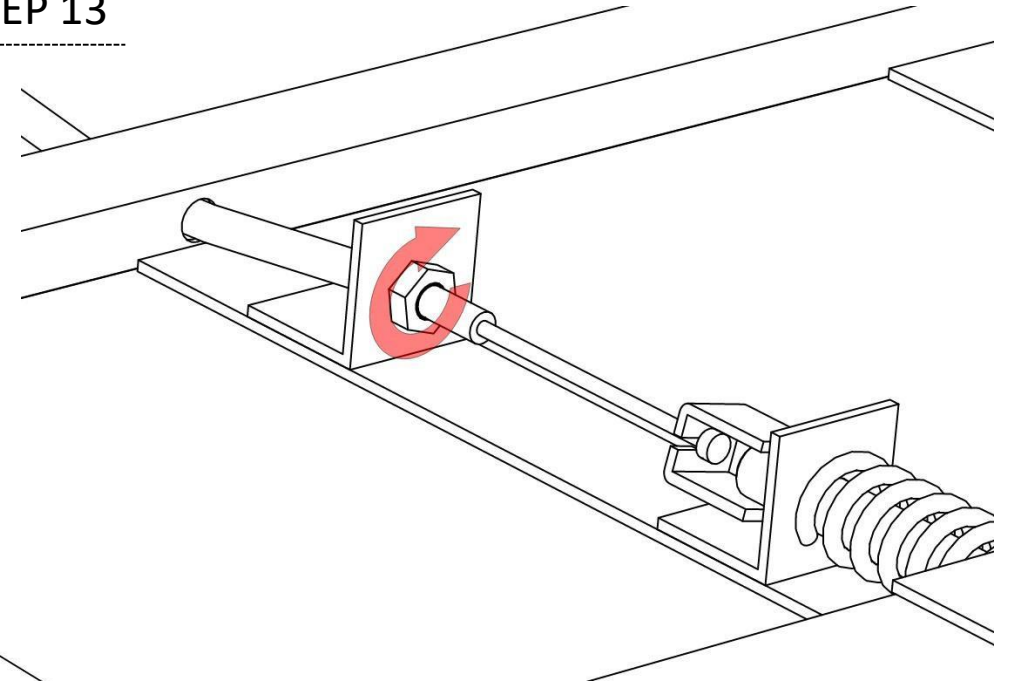
## STEP 13

Once the end of the cable is attached to the release pin, screw on the nut that was taken off to secure it to the tab

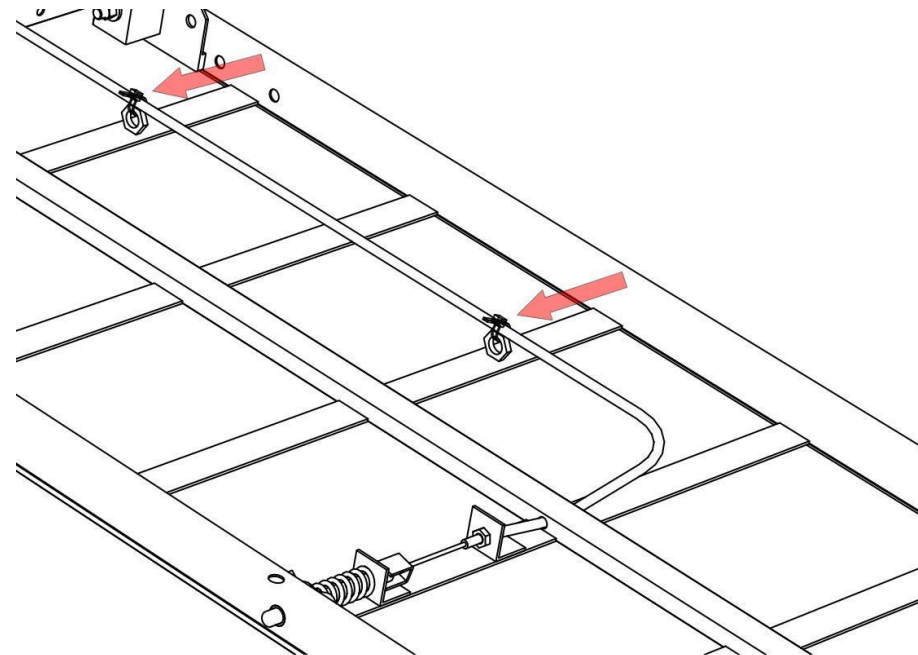
## STEP 14

Move the cable toward the back of the starting gate and zip tie the cable to the tabs under the panel

## STEP 13



## STEP 14



# release

## STEP 15

Place the angled pivot arm onto the plate with spacers

Align the holes shown in the diagram together where the arm will pivot

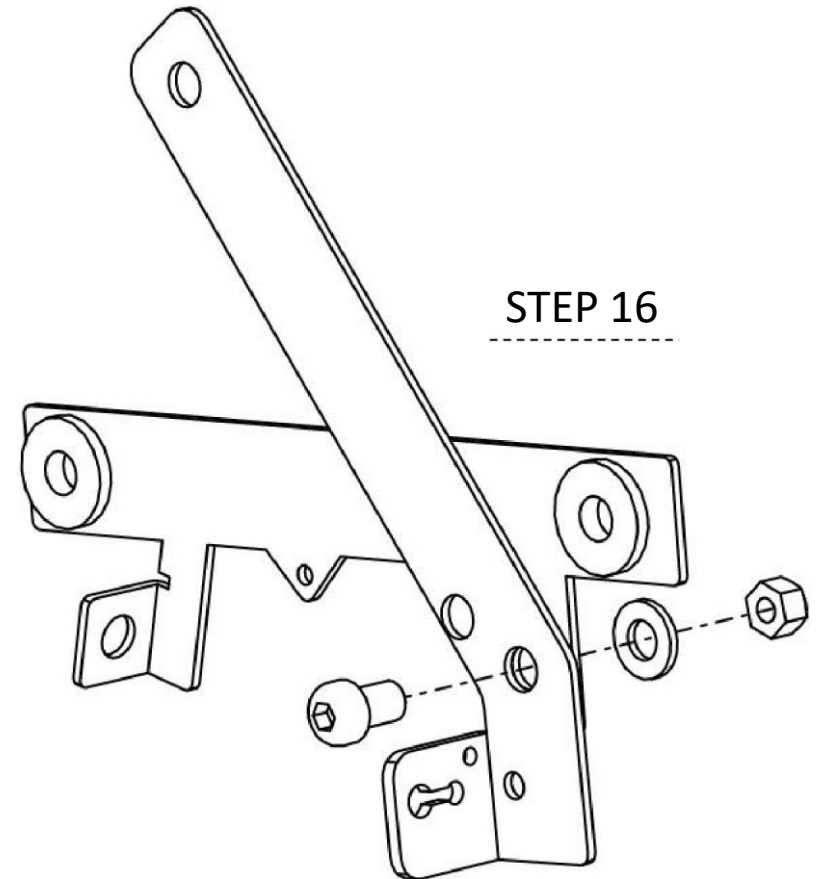
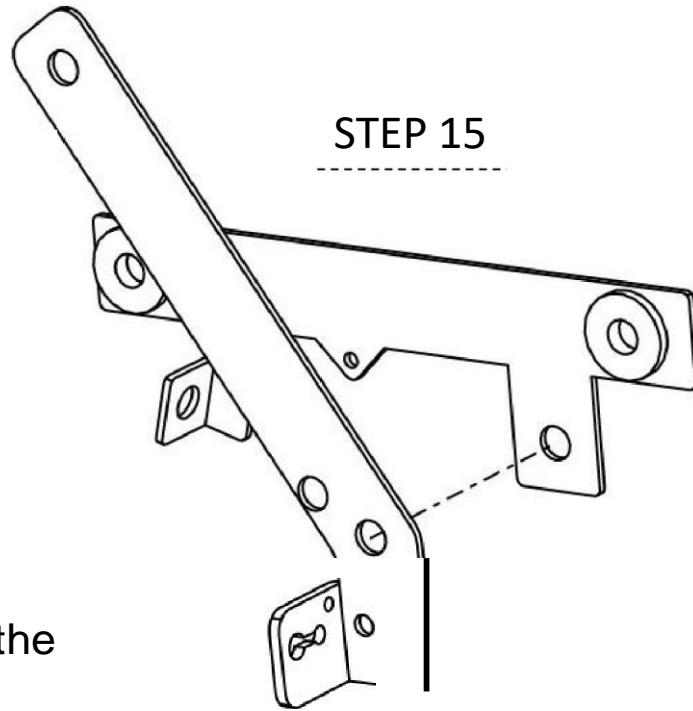
## STEP 16

Insert a small half inch bolt into both the arm and the plate

Follow it with a washer and a lock nut

### Caution:

Do not tighten the half inch bolt too tight to allow the pivot arm to freely move



# release

## STEP 17

Use the other half inch bolt to screw into the second hole next to the middle hole

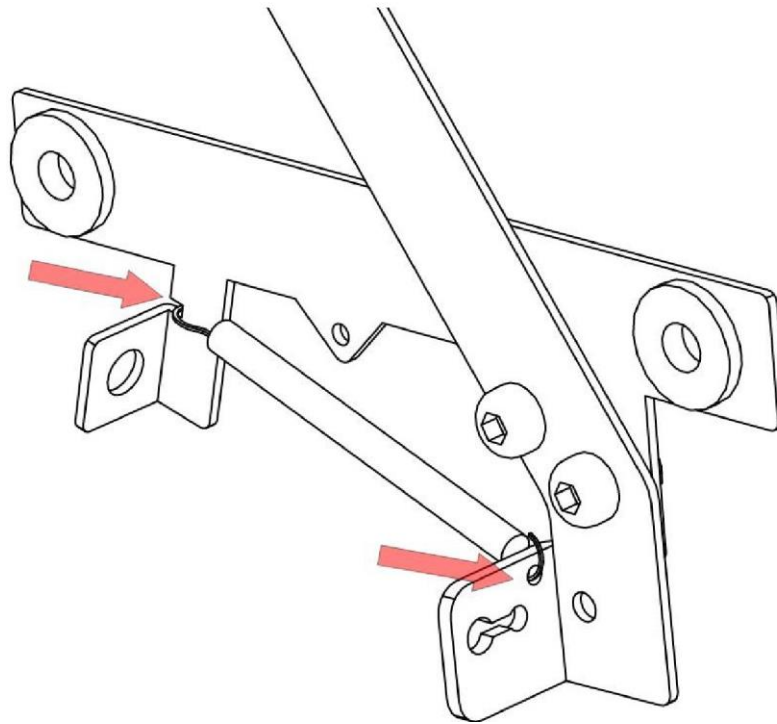
This will prevent the pivot from moving too far forward

## STEP 18

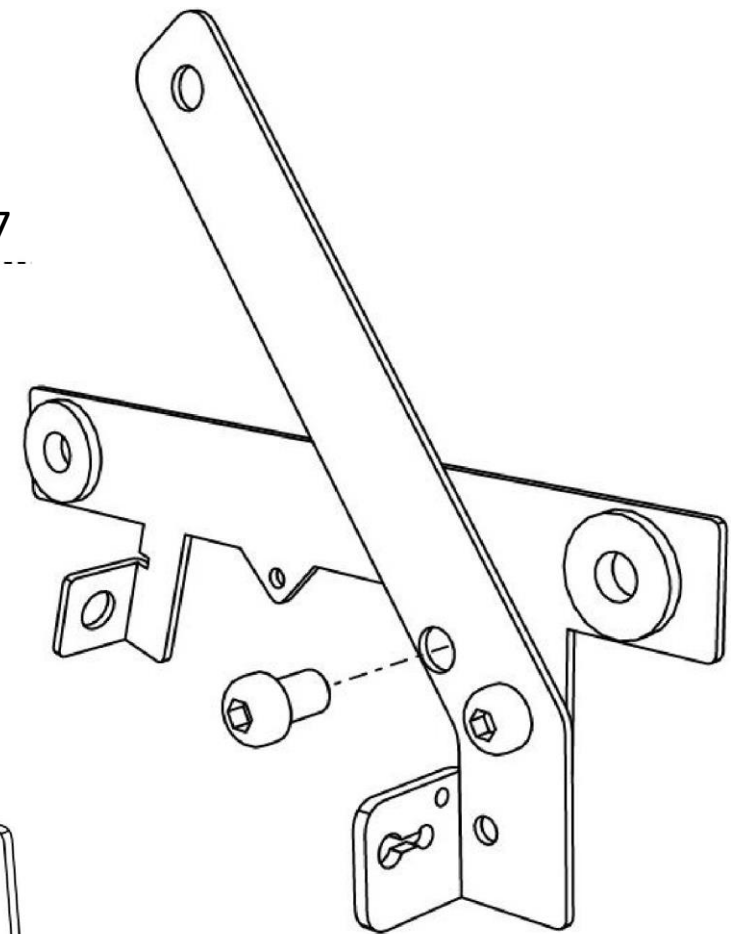
Hook one end of the spring into the hole of the pivot arm and stretch the spring to the slot at the other end of the plate

Use the slot to hook the other end of the spring onto the plate

## STEP 18



## STEP 17



# release

## STEP 19

Insert the release plate into the slotted tube and align the holes in the plate with the holes in the tube

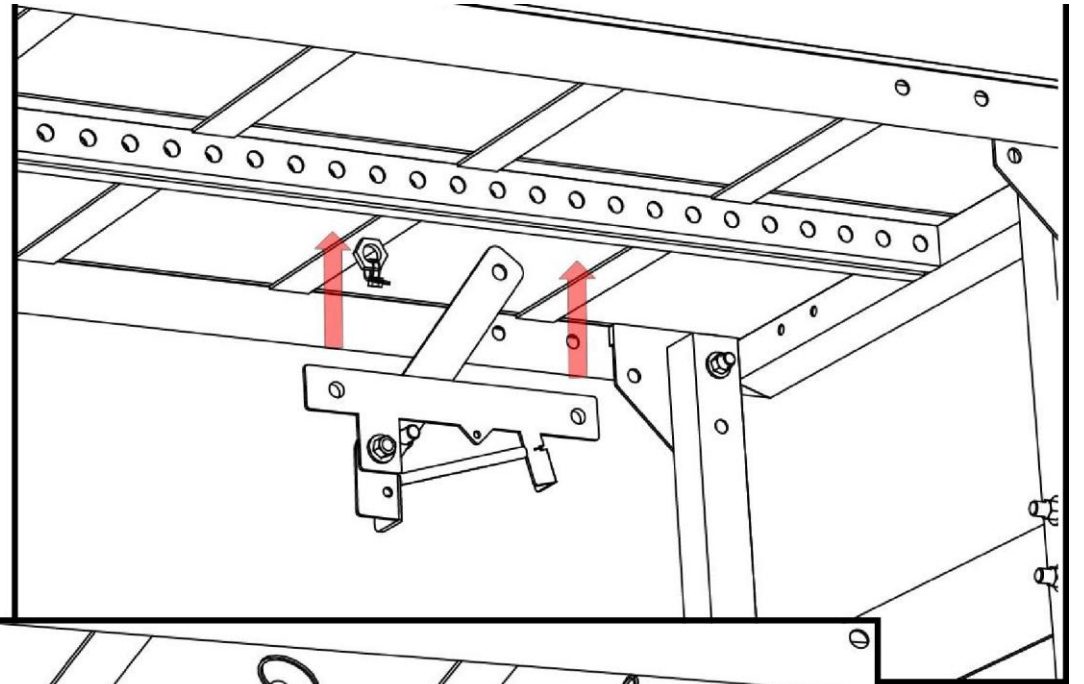
You can adjust the release assembly forward or backward to fit the length of your bike

## STEP 20

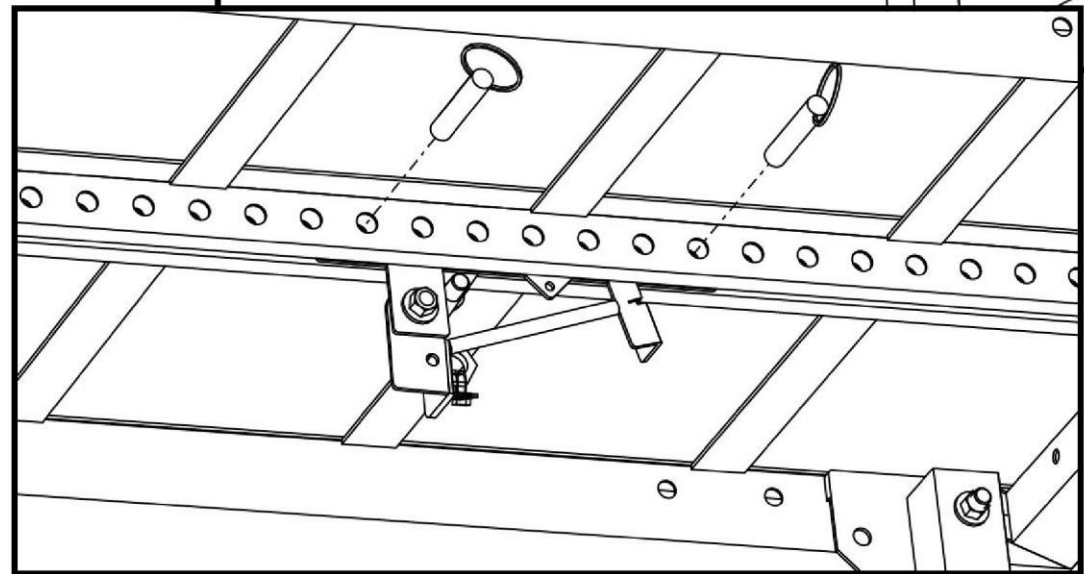
Once the release plate is set at the right distance to fit your bike, use the two pins to lock the plate in place

You can take the pins out at anytime to easily adjust the length of the release pedal

## STEP 19



## STEP 20

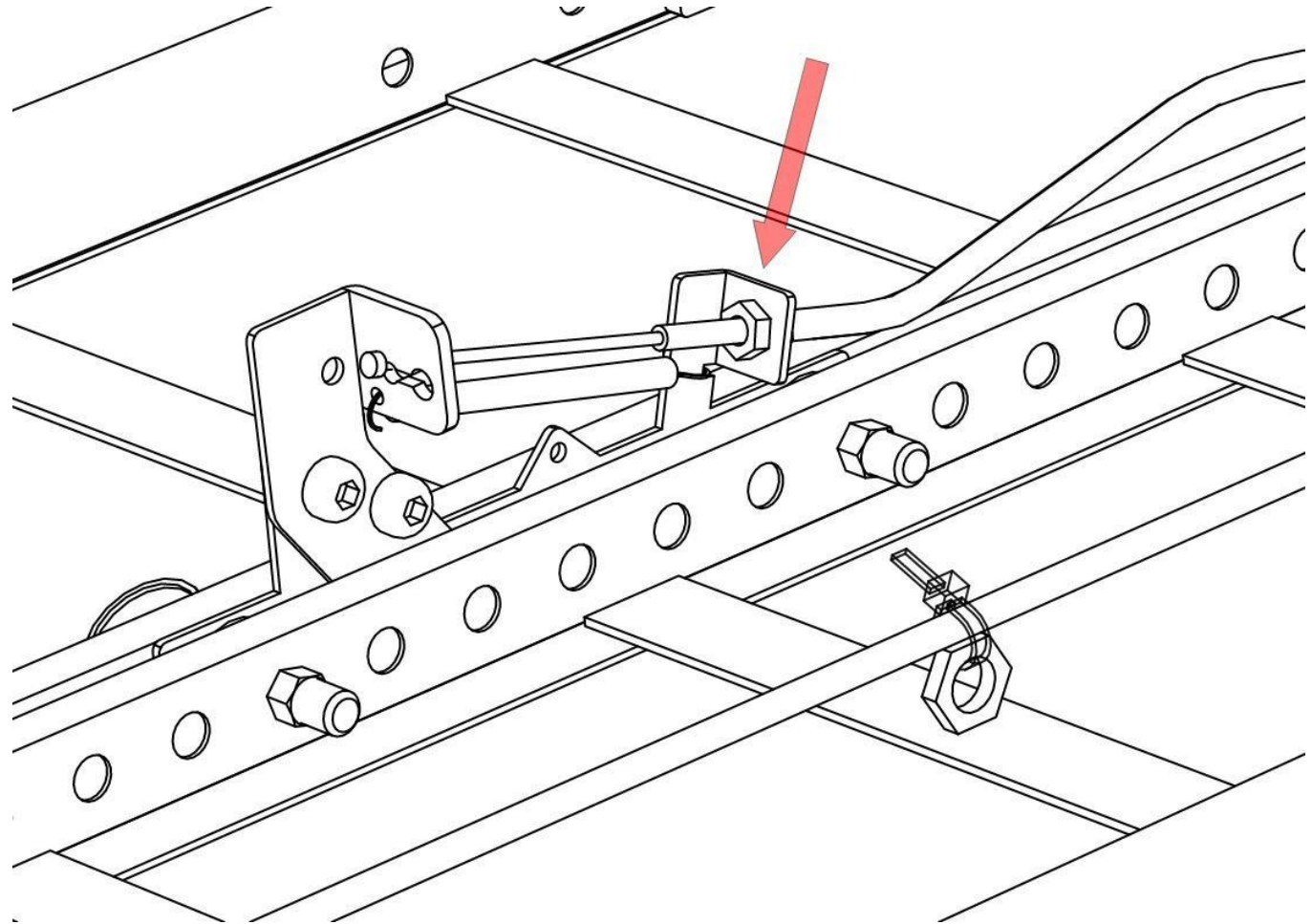




# release

## STEP 21

Insert the other end of the cable through the tab in the release plate



# release

## STEP 22

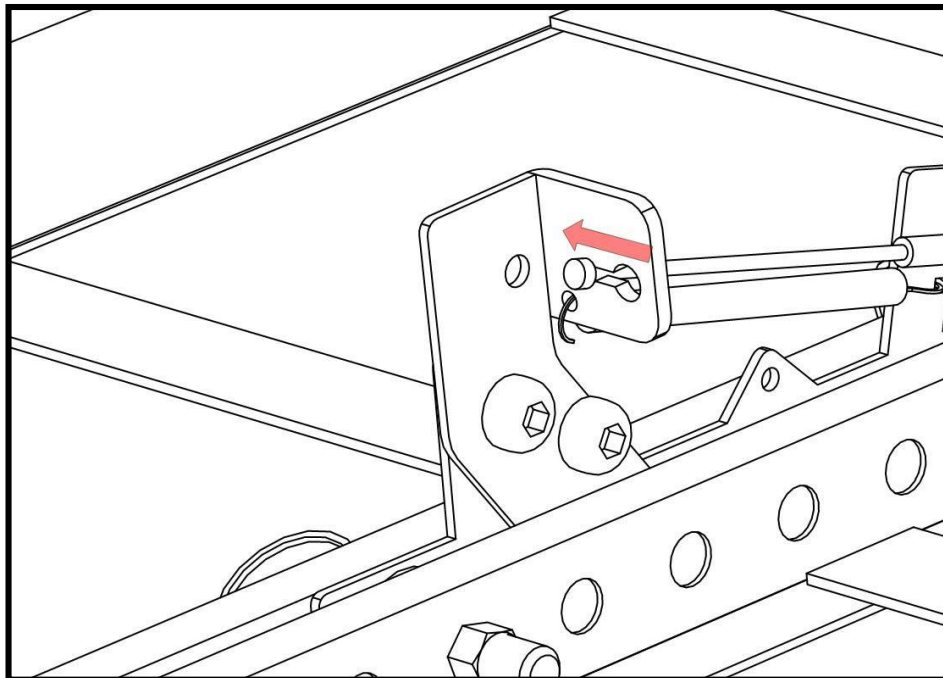
---

### STEP 22

Push the tab at the end of the cable through the large hole and slide it over till it locks into the second smaller hole in the pivot arm

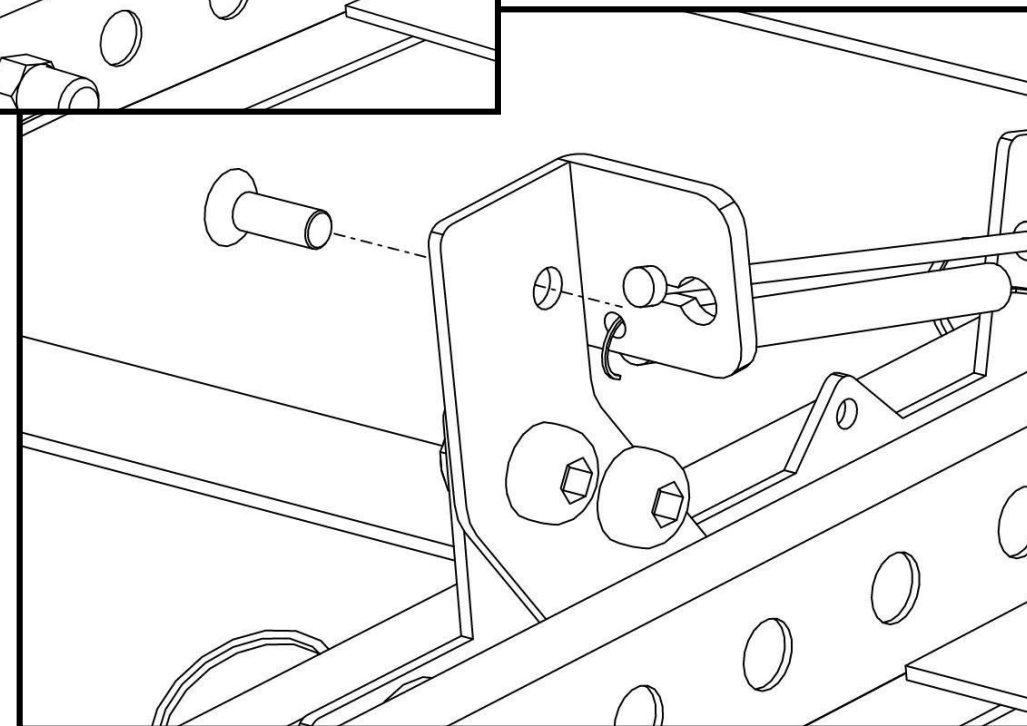
### STEP 23

Screw in the Philips countersunk bolt into the hole next to the tab to prevent the tab from coming out of the slot



## STEP 23

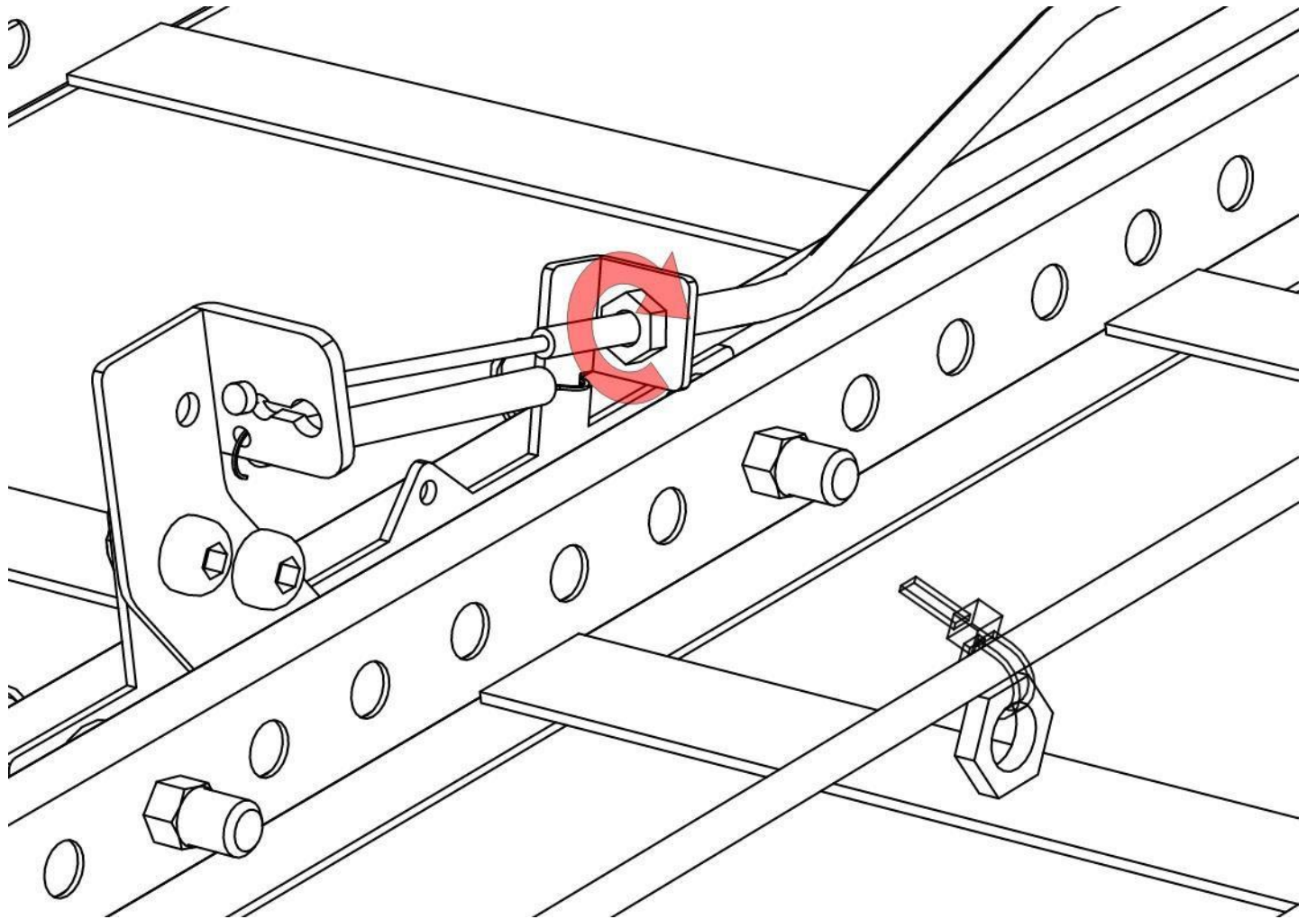
---



# release

## STEP 24

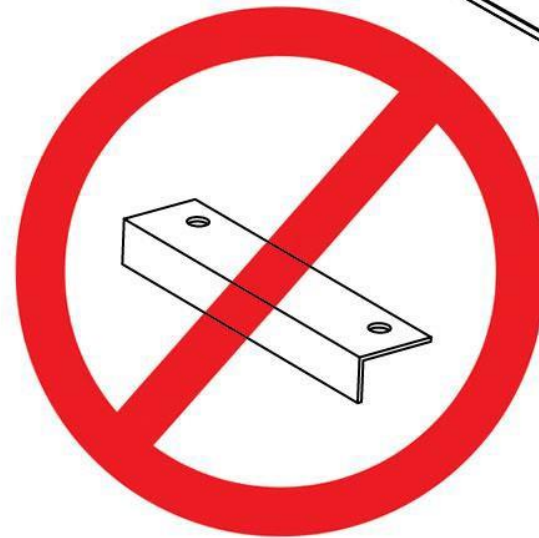
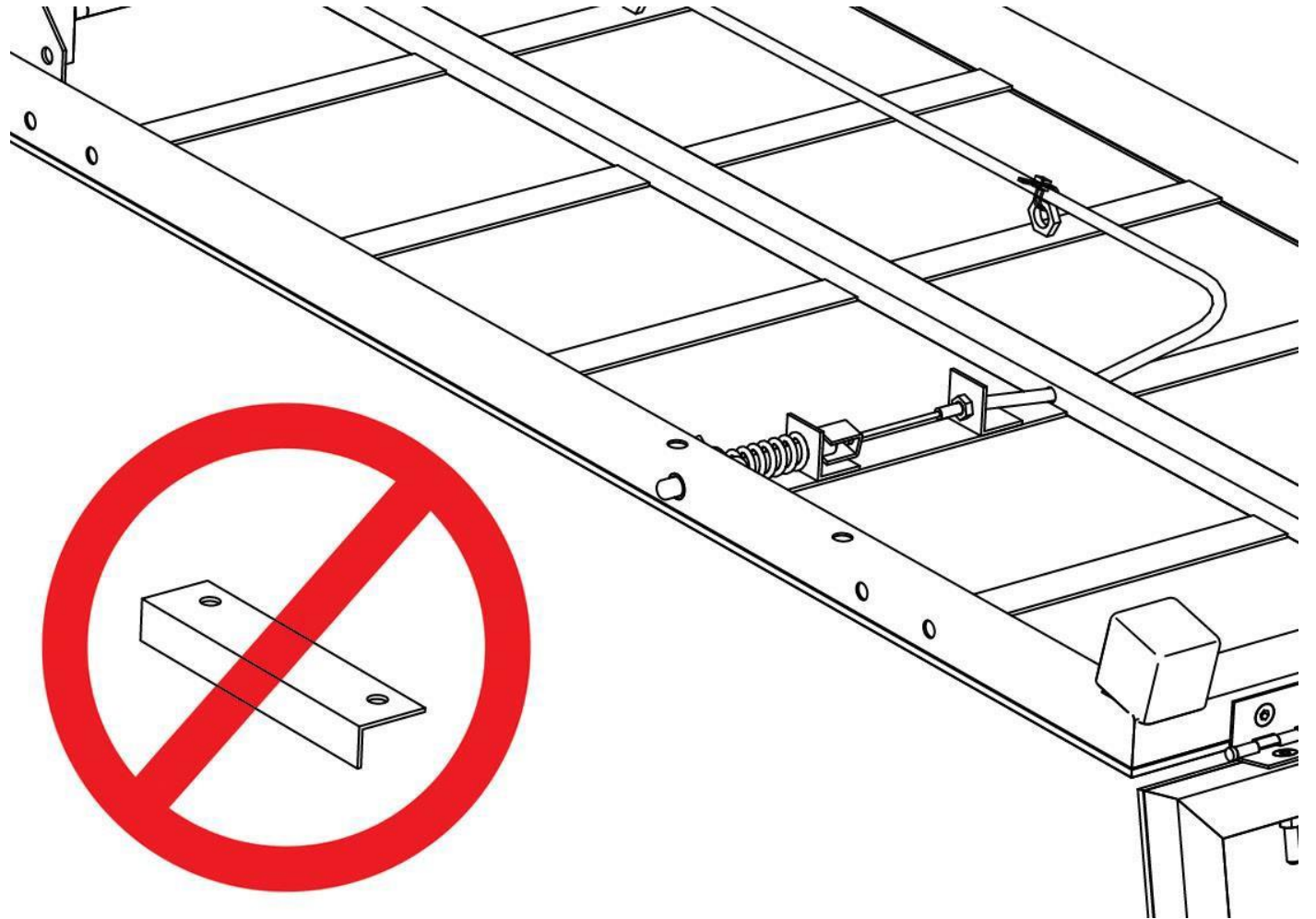
Tighten the nut on the threads of the cable to take out the slack in the cable making it stiff and ready to pull back the pin



# Release Bar

**Caution:**

Do not use this angled piece when assembling the starting gate



**DO NOT USE**

# Release Bar

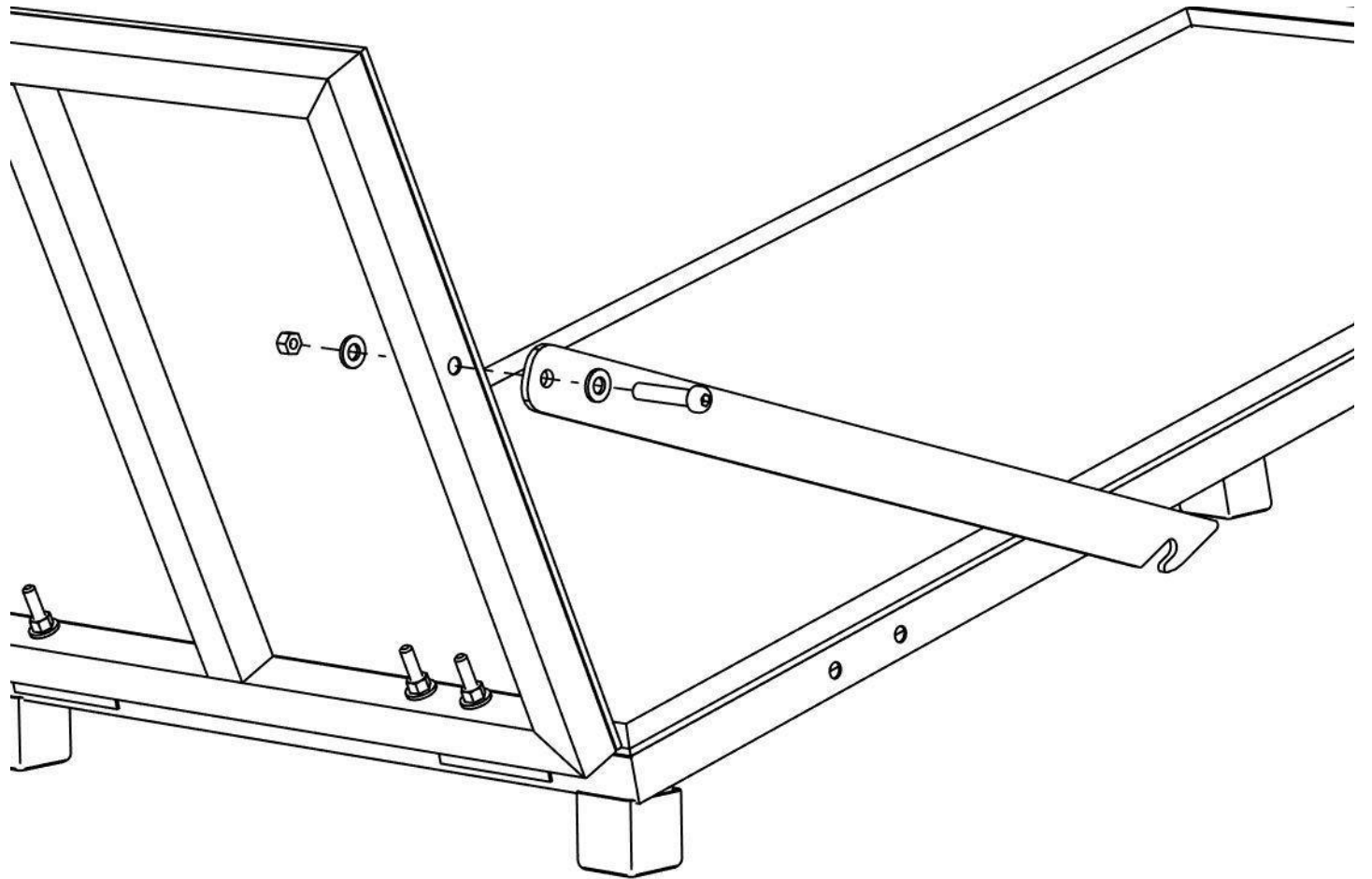
## STEP 25

Bolt the release bar onto the side of the gate with a 2" bolt

Place a small washer on the 2" bolt and slide it through the bar and side of the gate following it with a small washer and lock nut

### Caution:

Do not tighten the 2" bolt too tight to allow the bar to freely move



# Release pedal

## STEP 26

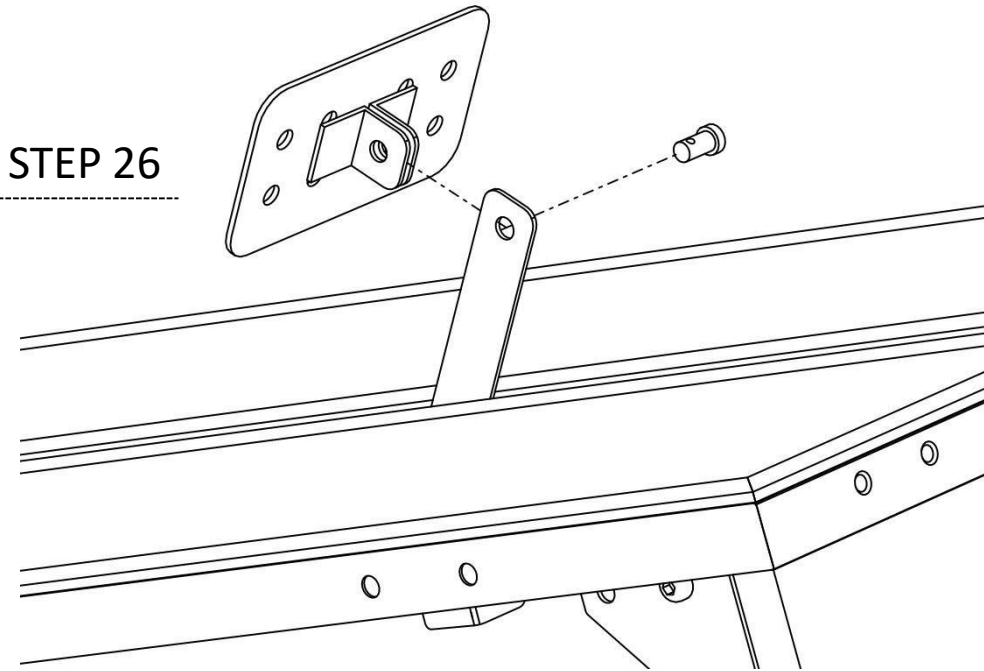
Slide the pedal onto the pivot arm and align the holes together

Insert the small pin into the holes

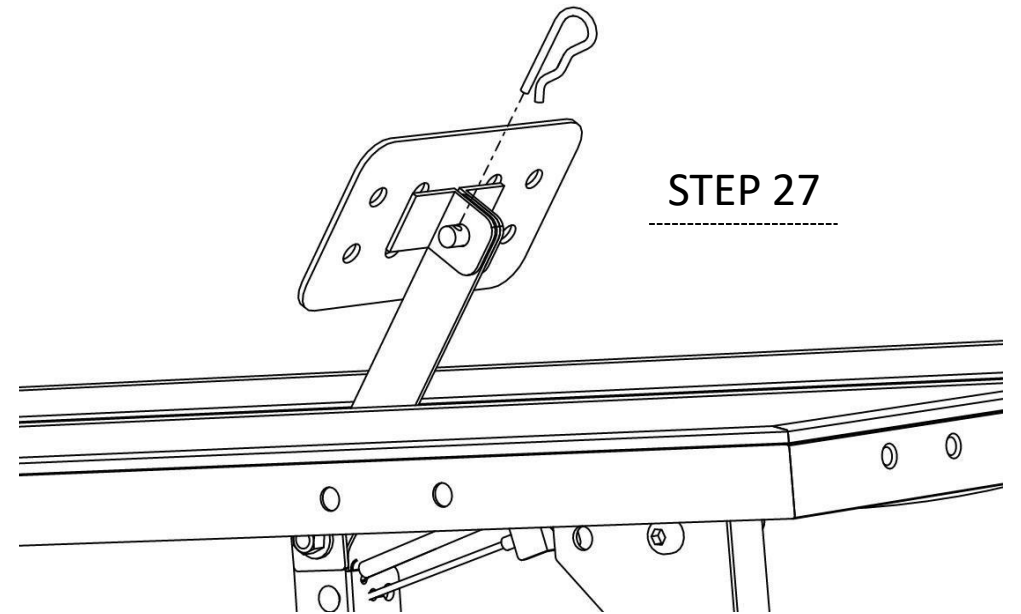
## STEP 27

Insert the locking pin to keep the pedal on the arm

## STEP 26



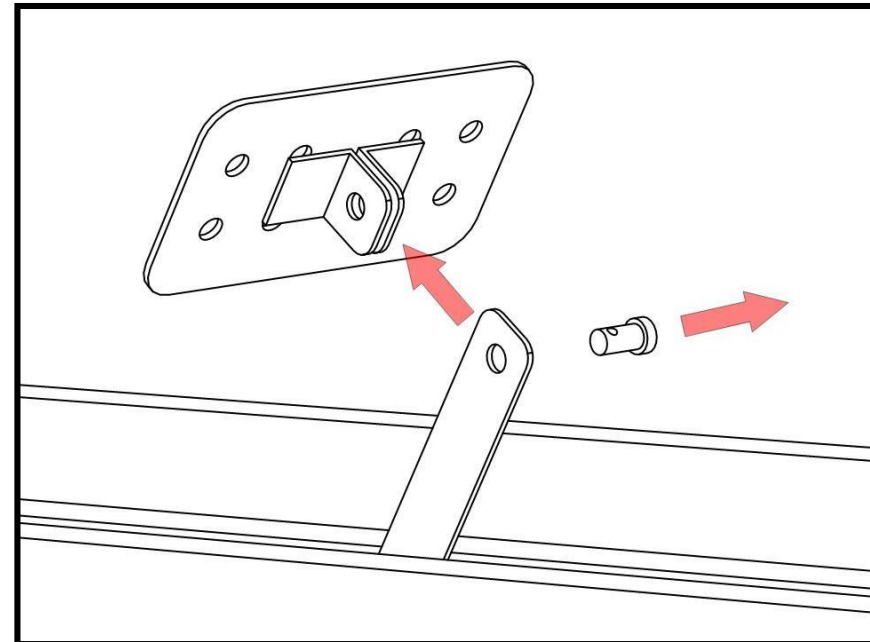
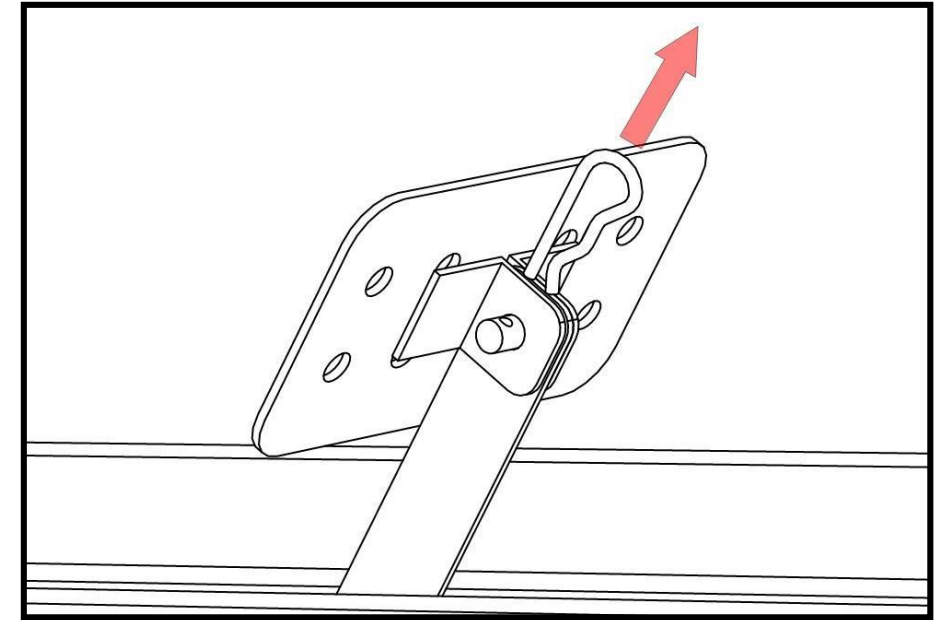
## STEP 27



# Folding up

## STEP 1

To fold up the starting gate for storage first take off the pedal system by taking out the pin holding the pedal in

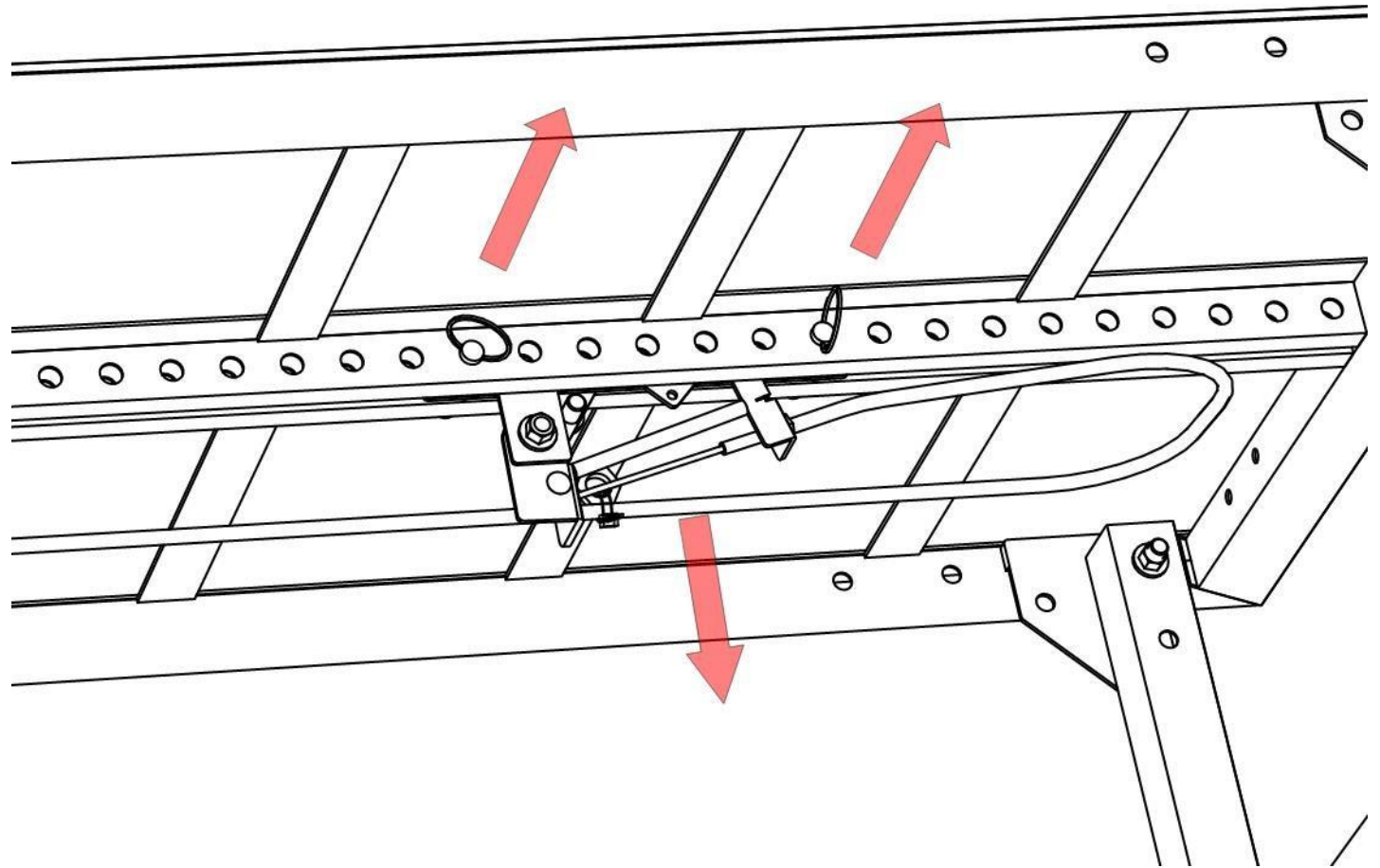


# Folding up

## STEP 2

Once the pedal is off you can take out the pins holding the release plate

Slide out the release plate and leave it connected to the cable





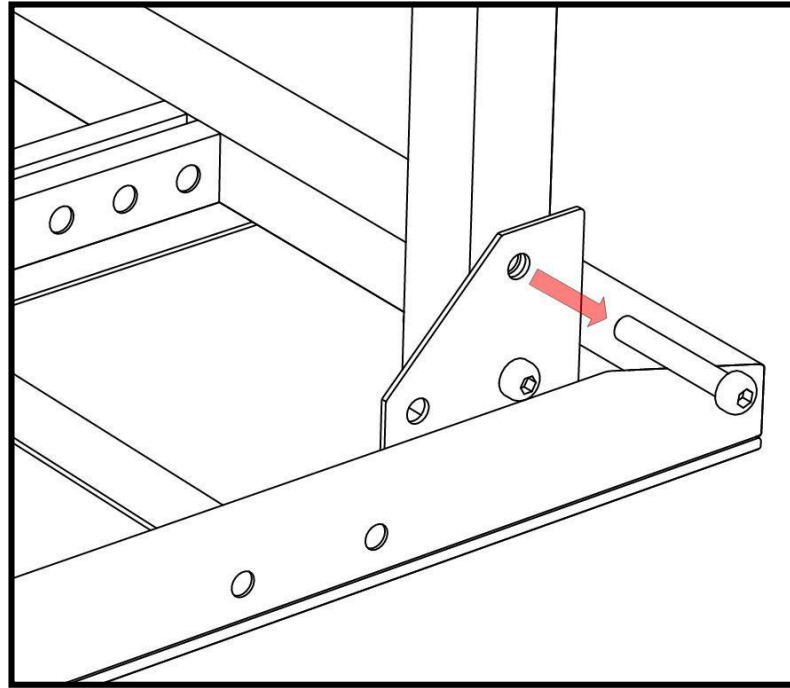
# Folding up

STEP 3

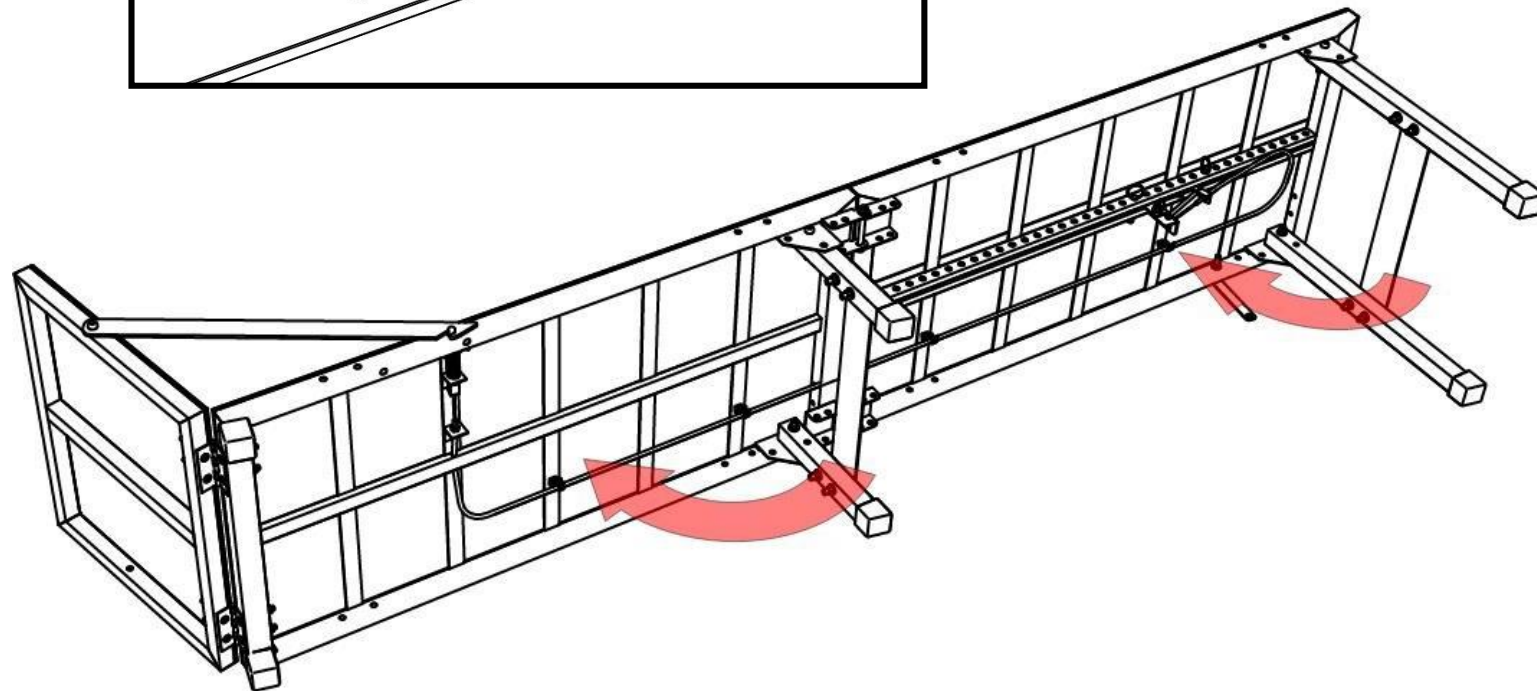
Take out the bolts securing the legs in place

STEP 4

Fold the legs into the ramp



STEP 3

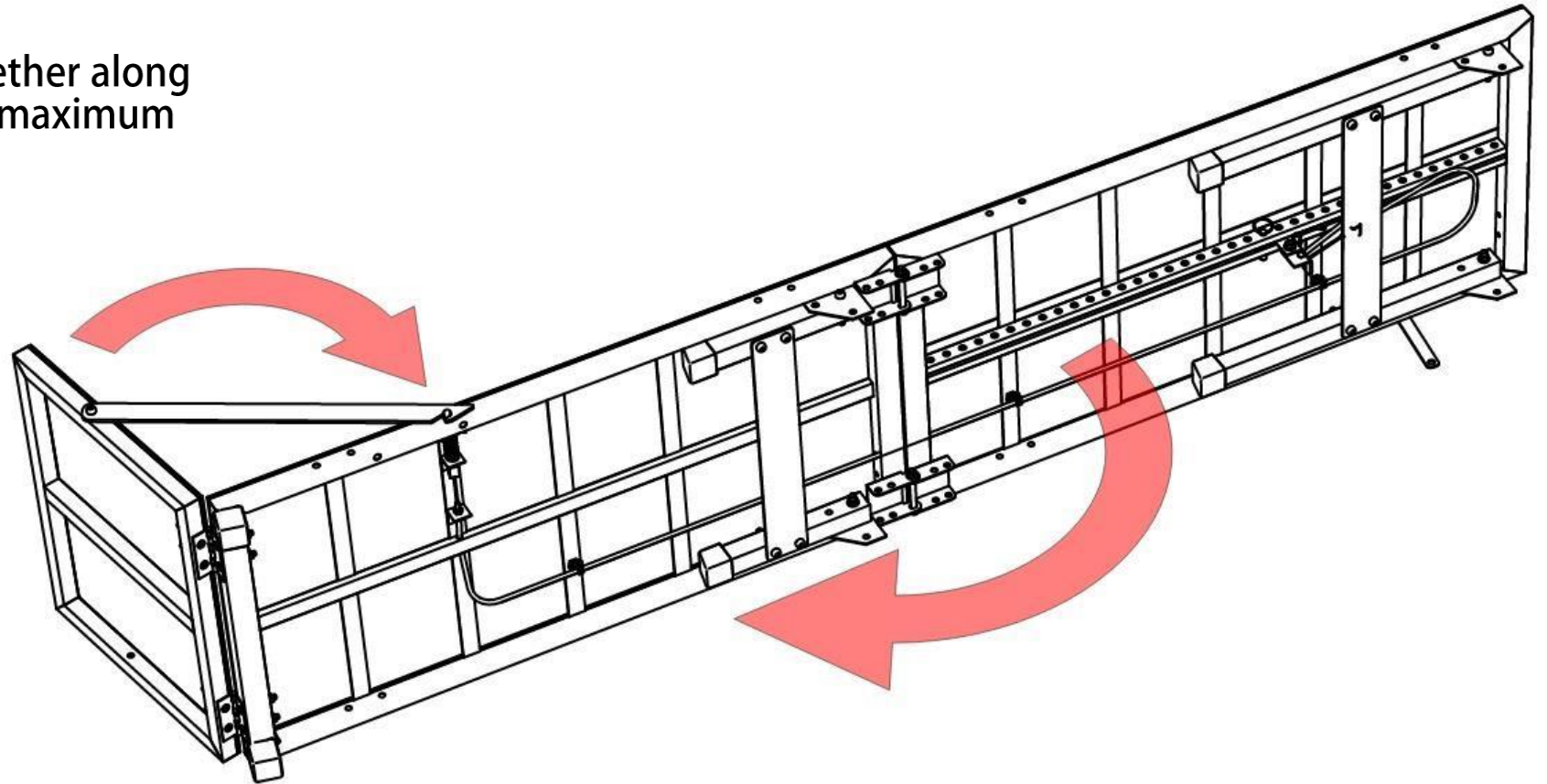


STEP 4

# Folding up

## STEP 5

Fold up the two panels together along with folding the gate in for maximum compactness and storage

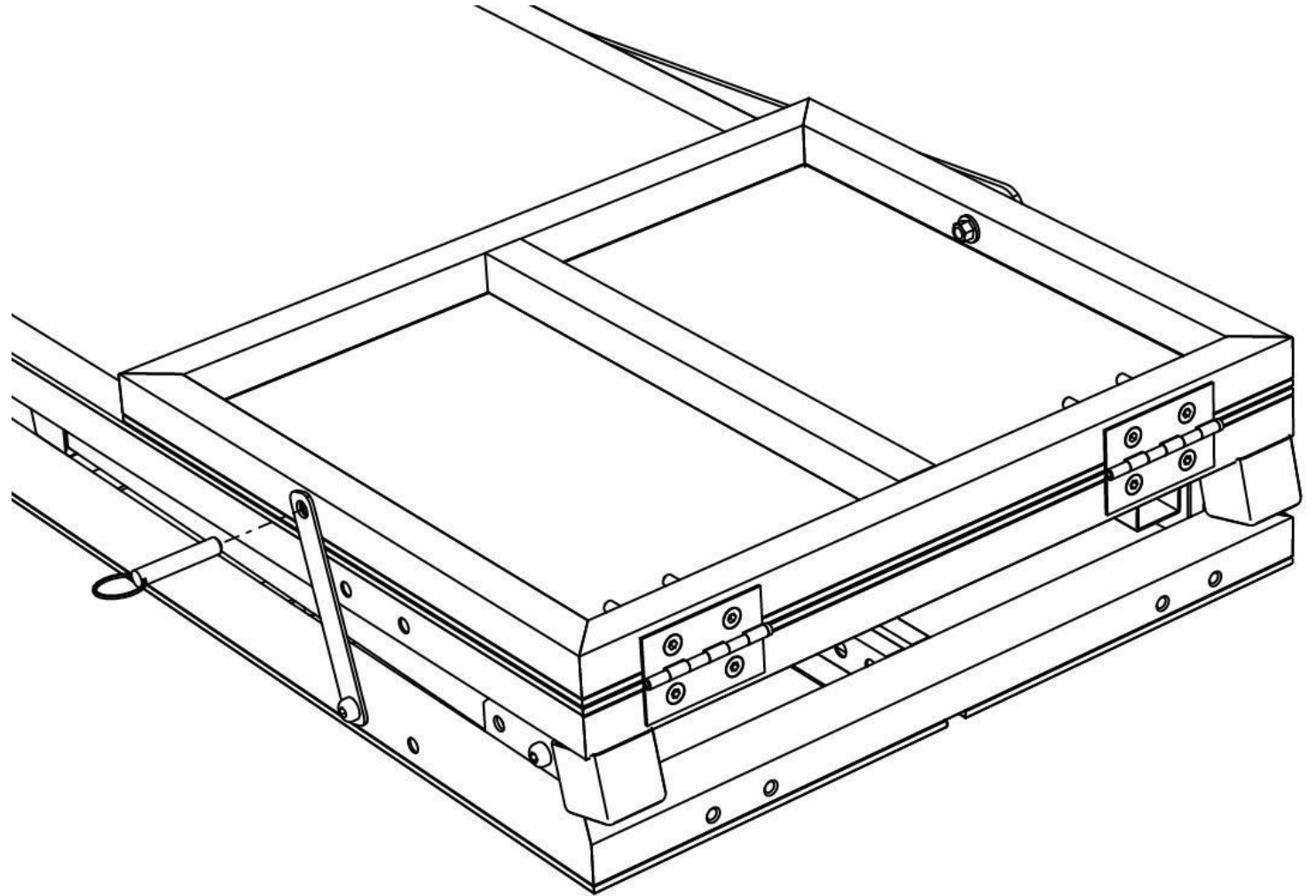


# Folding up

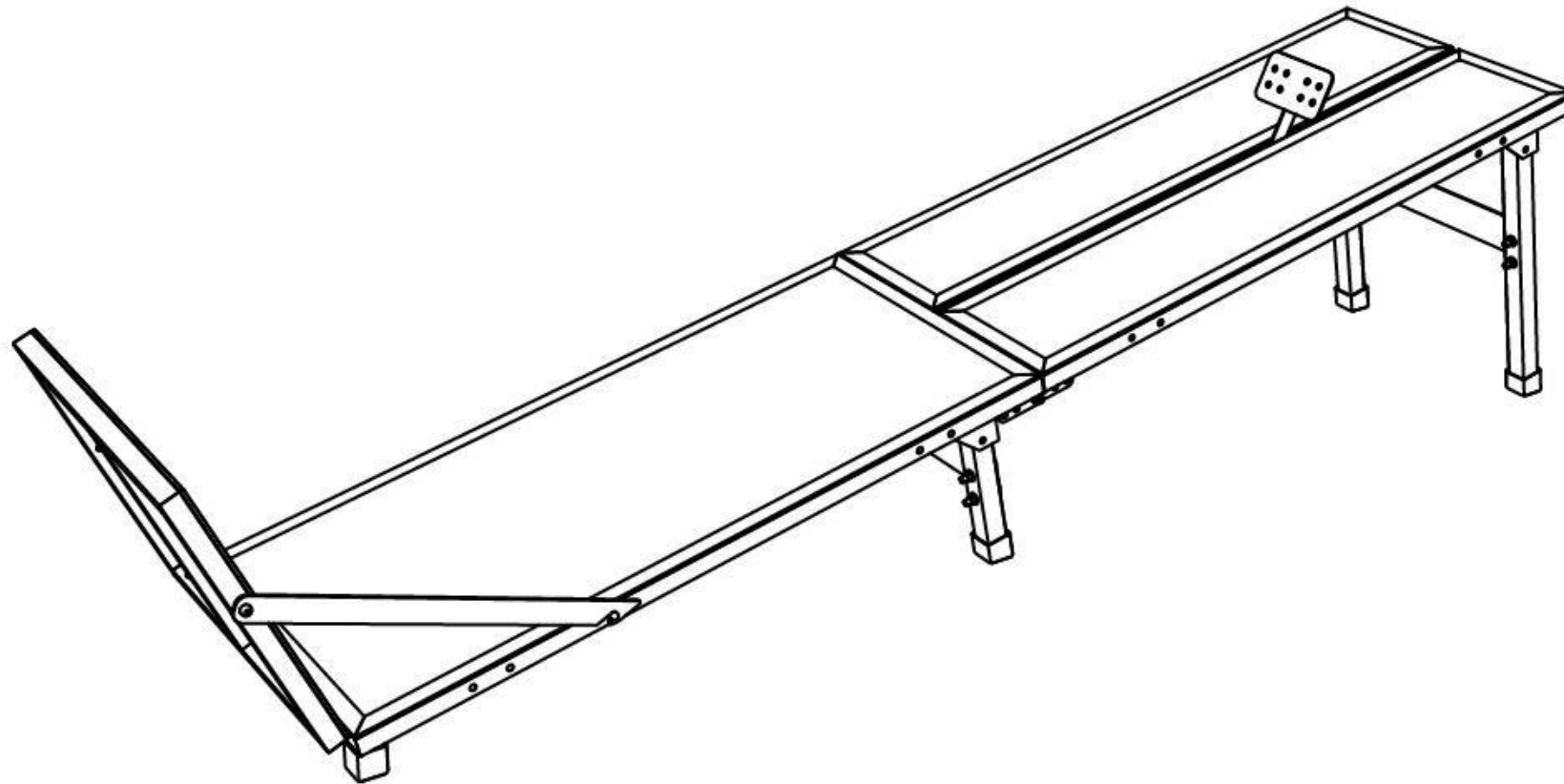
## STEP 6

Once the panels and gate are folded together use the latch to keep the starting gate from opening up

Slide a pin through the latch and through the hole on the gate to lock it in place



# Starting Gate Fixes



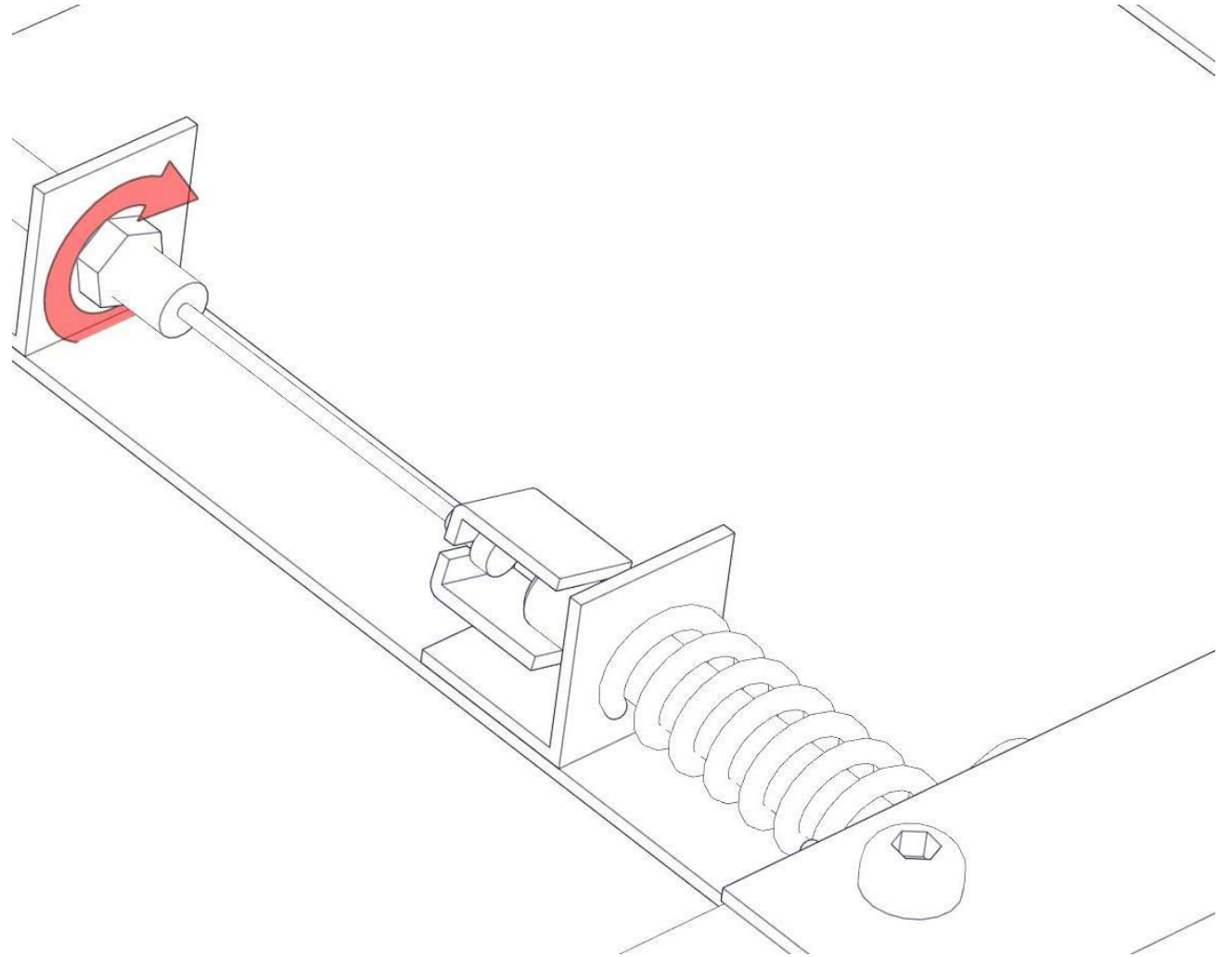
# Cable

## FIX 1

Loosen the cable and move it forward or backward to take out the slack

Once the cable has tension, tighten nuts on both sides of the tab to hold the cable in place

Make sure to tighten it enough so it doesn't become loose



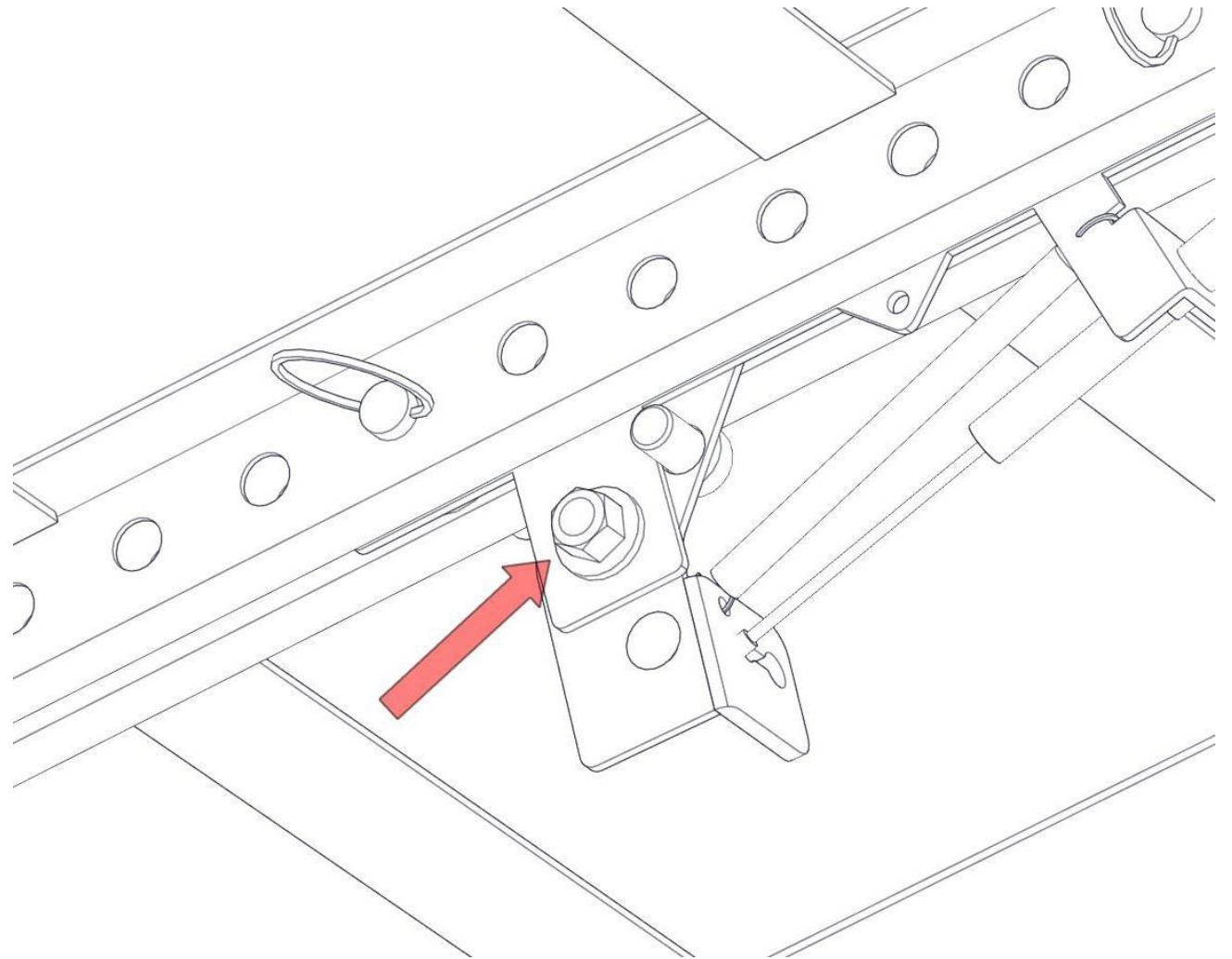
# Release bracket

FIX 2

The screw holding the pivot arm on the pedal may be too tight

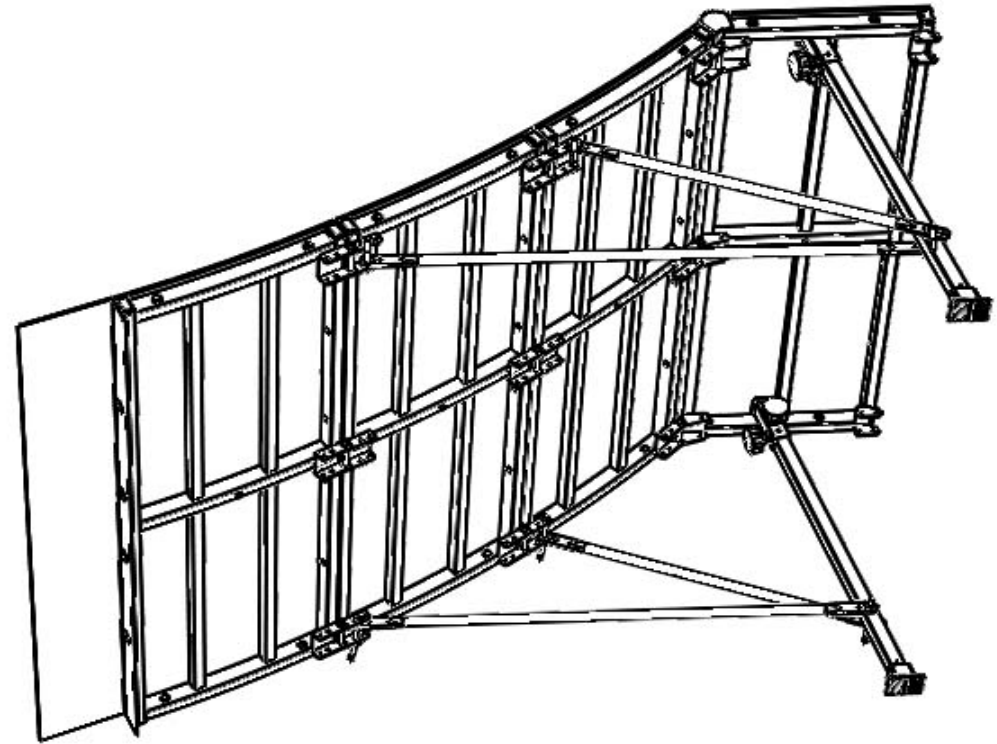
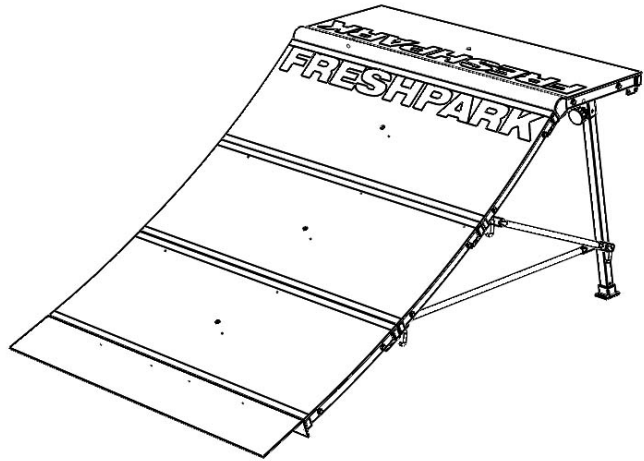
Easily Loosen the bolt and see if the pedal is easier to push down

You can also use a lubricant on the screw to help the pedal move easier



# Folding **FRESHPARK** Ramps

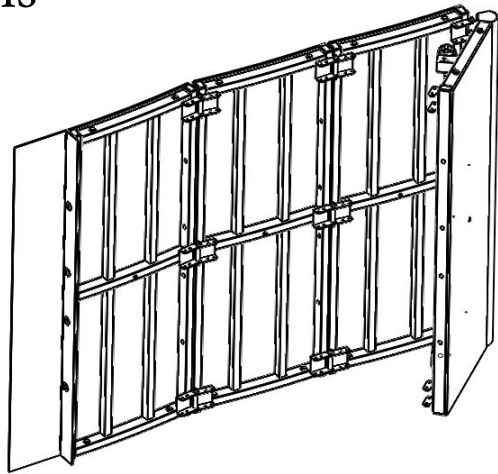
Step 1:  
Lay the ramp onto its side (team  
of 2 recommended)



# Folding **FRESHPARK** Ramps

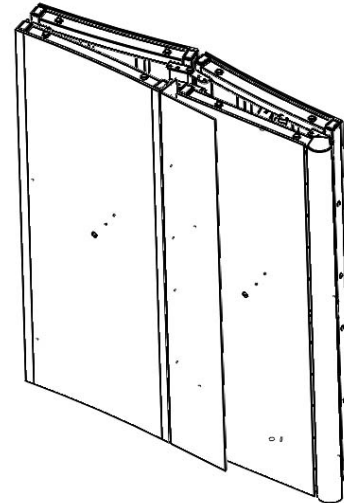
Step 2:

Remove all support bars and legs and carefully fold the panels



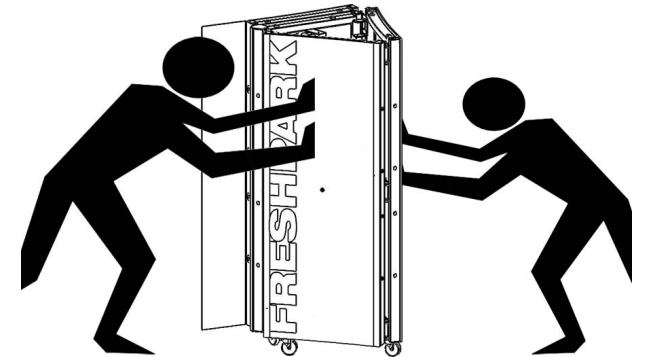
Step 3:

Fold into a desired configuration for easy storage



**Warning**

When transporting, never carry or push the ramp by yourself



*Caution: To reduce the risk of injuries to hands and fingers, never insert your hands or fingers in between the panels or any folding joints.*