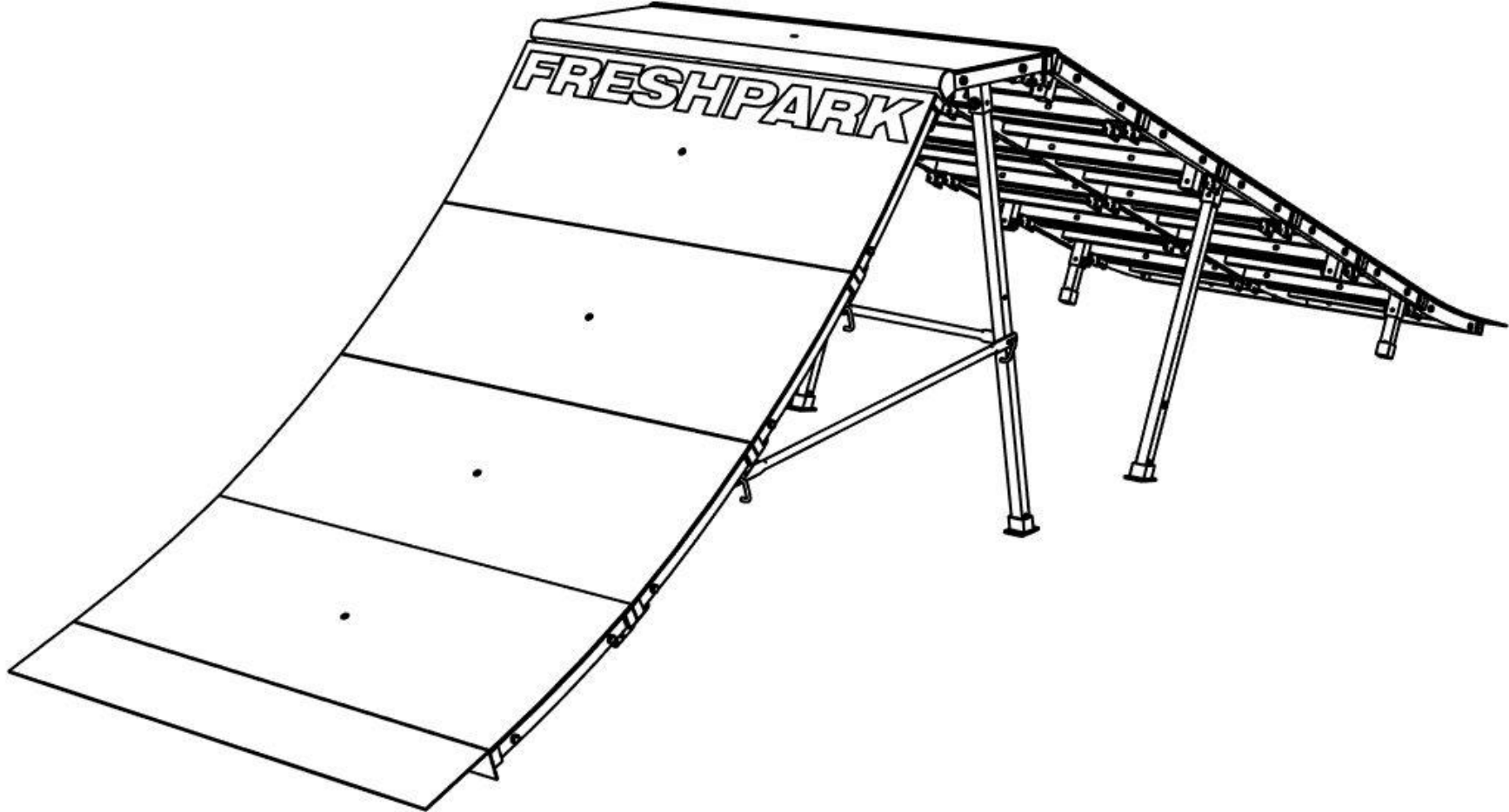


BANK PYRAMID INSTRUCTIONS

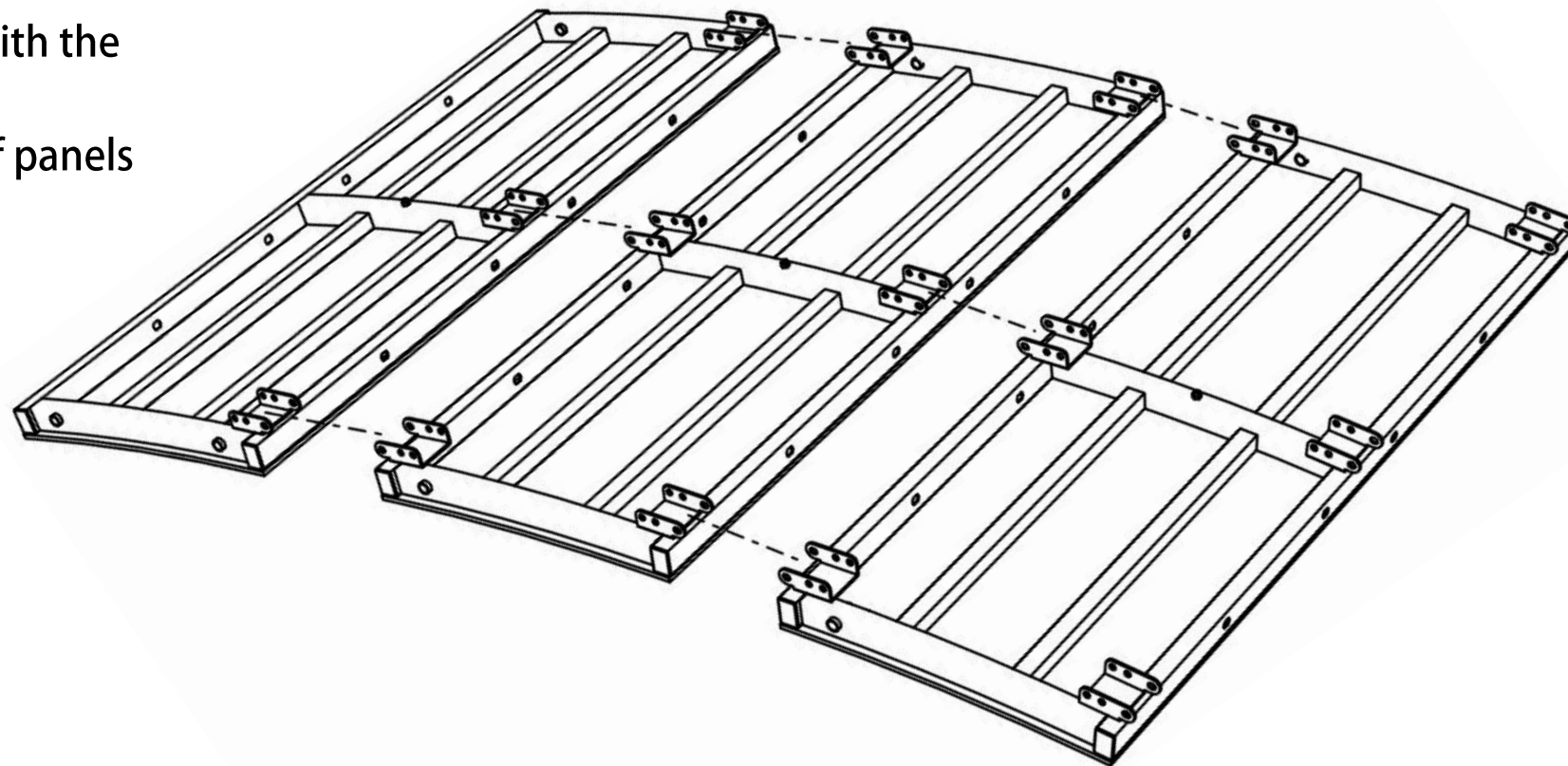


ALIGNING PANELS

STEP 1

Align the Quarter Pipe panels with the hinges together.

Align the panels so the edges of panels are flush with each other.



BOLTING HINGES

STEP 2

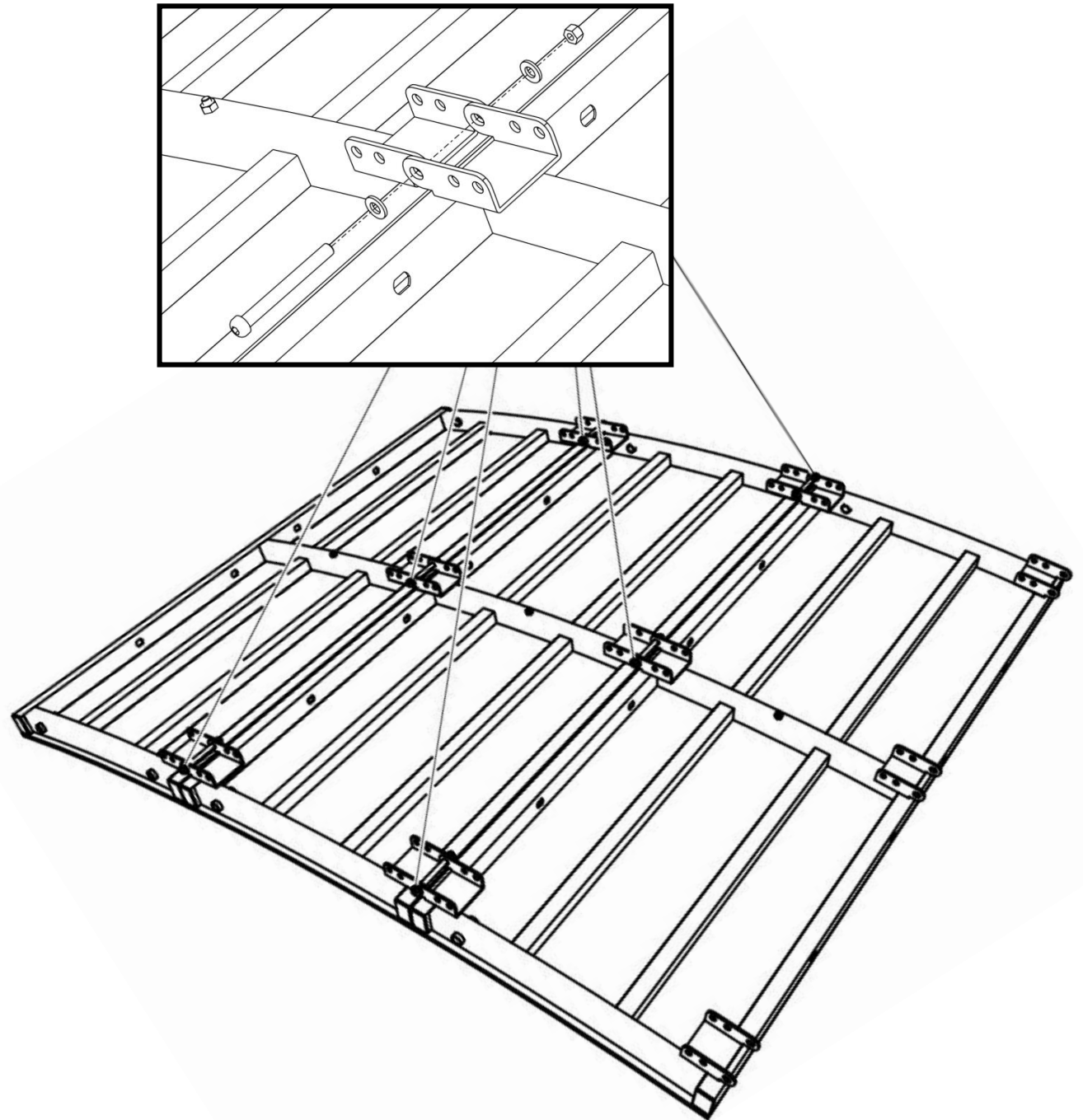
Bolt together the panels using the 3" bolts provided on the hinges.

Place a small washer on the 3" bolt and insert it through both hinges.

Follow it with a small washer and a lock nut to tighten the hinges together.

Caution:

Do not tighten the bolts too tight to allow the hinges to freely move.

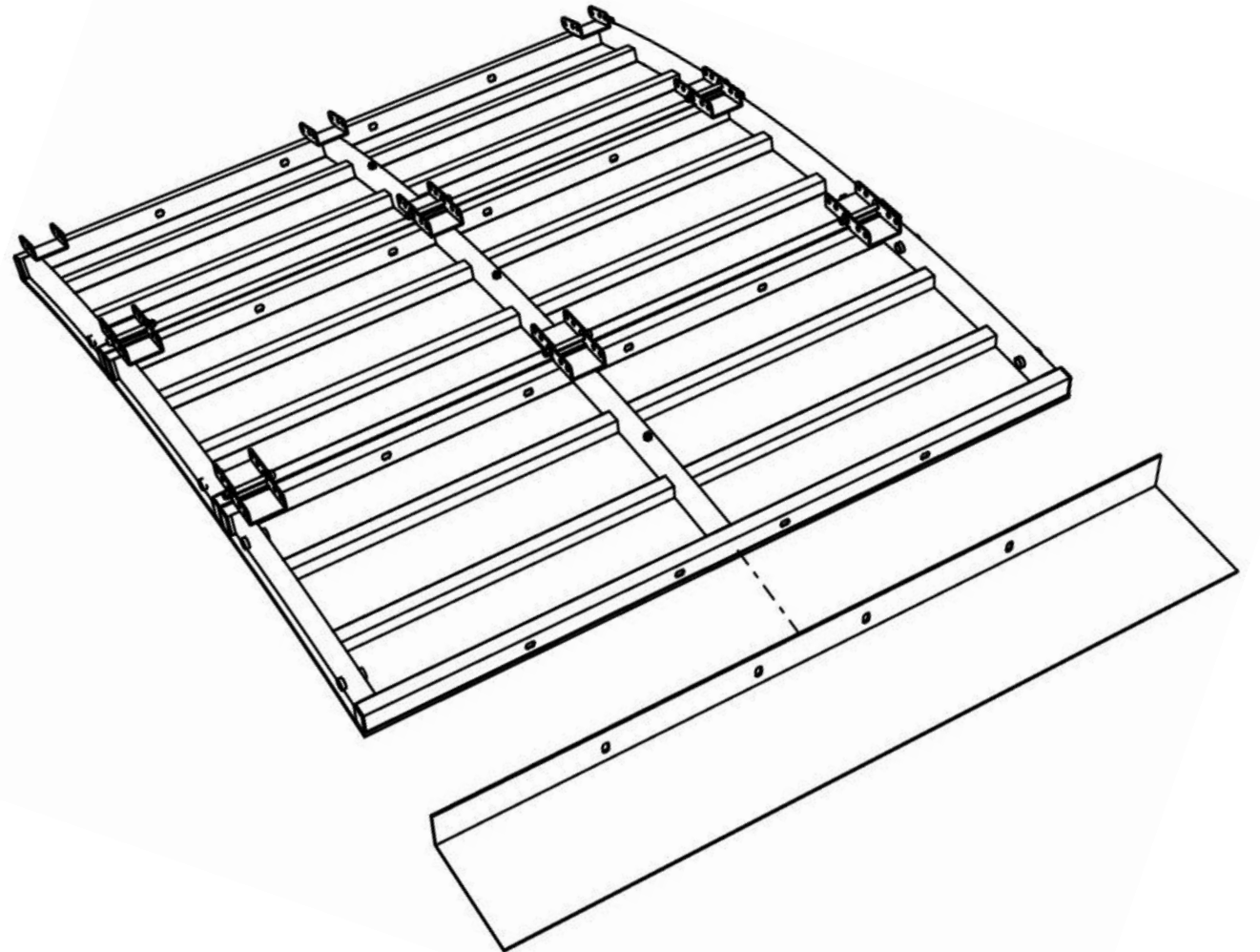


TOE PIECE

STEP 3

Place the toe piece on the flat side of the bottom panel.

Align the 4 holes in the coping with the 4 holes in the tubing of the panel.



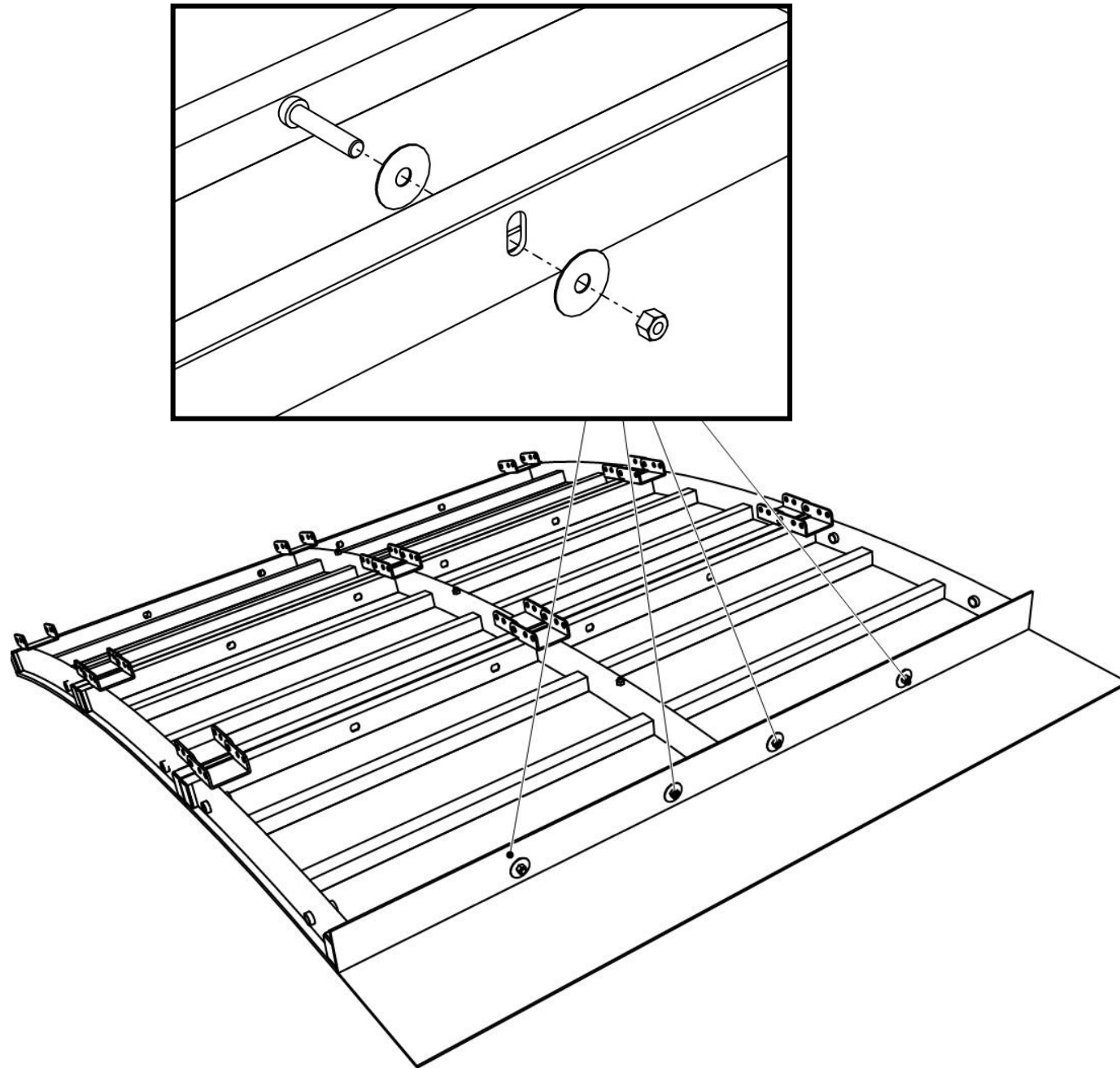
TOE PIECE

STEP 4

Use the 2" bolts to attach the toe piece to the bottom panel.

Place a big washer onto the 2" bolt and insert it through the toe piece and tubing.

Follow it with a big washer and a lock nut to tighten the toe piece to the launch ramp.



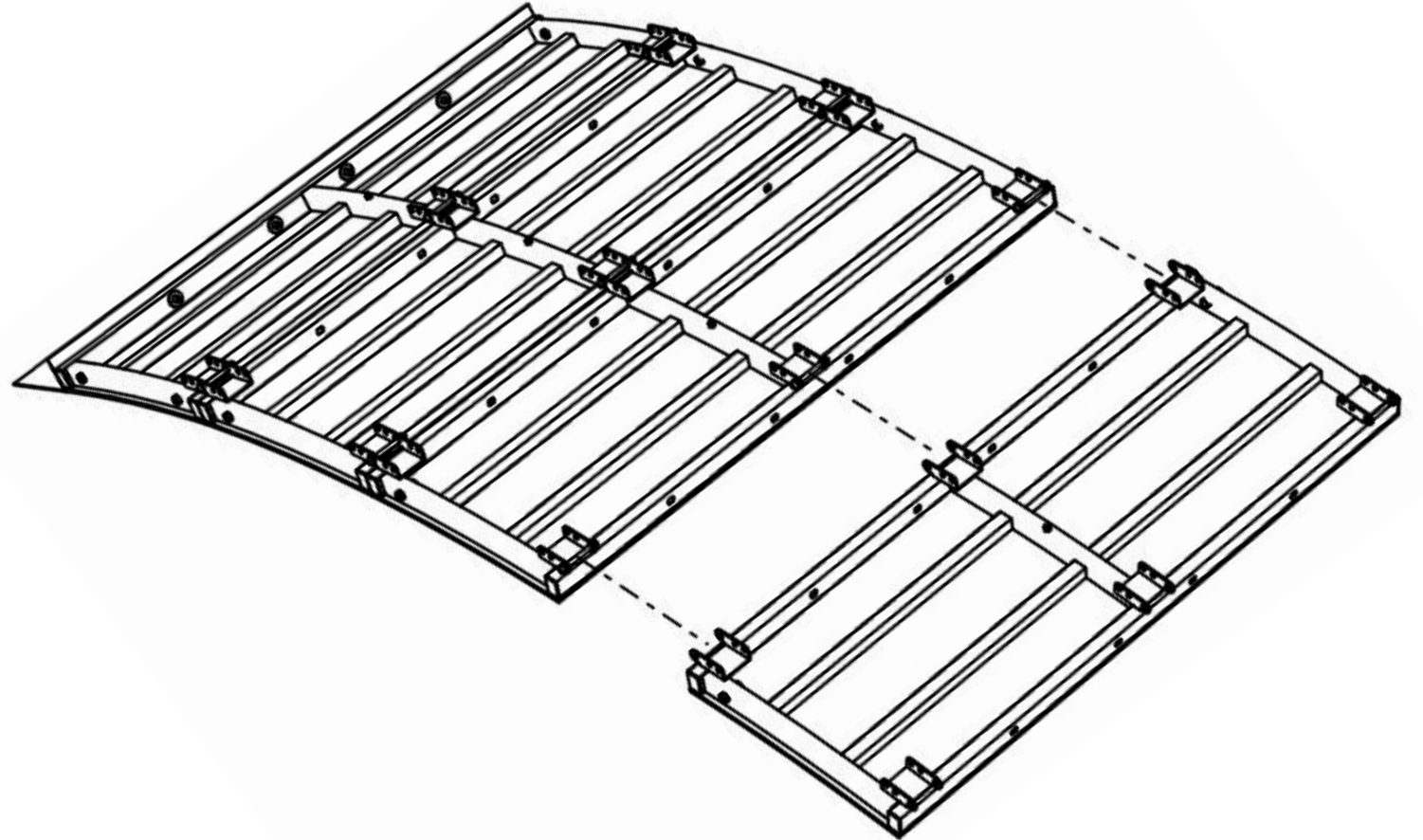
ALIGNING PANELS

STEP 5

Add the last panel with the FreshPark logo to the ramp.

Align the panels with the hinges together.

Align the panels so the edges of panels are flush with each other.



BOLTING HINGES

STEP 6

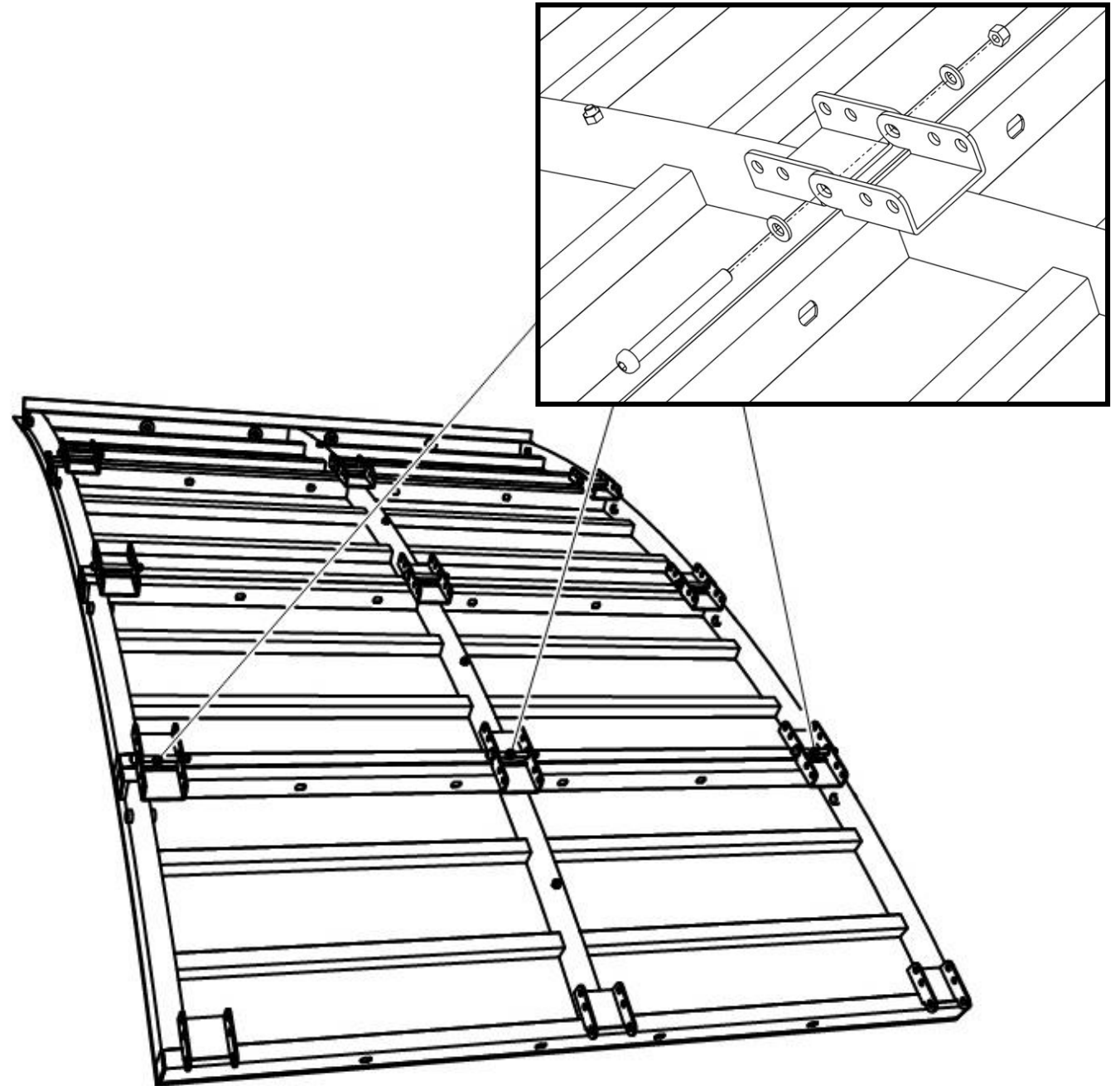
Bolt together the panels using the 3" bolts provided on the hinges

Place a small washer on the 3" bolt and insert it through both hinges

Follow it with a small washer and a lock nut to tighten the hinges together

Caution:

Do not tighten the bolts too tight to allow the hinges to freely move



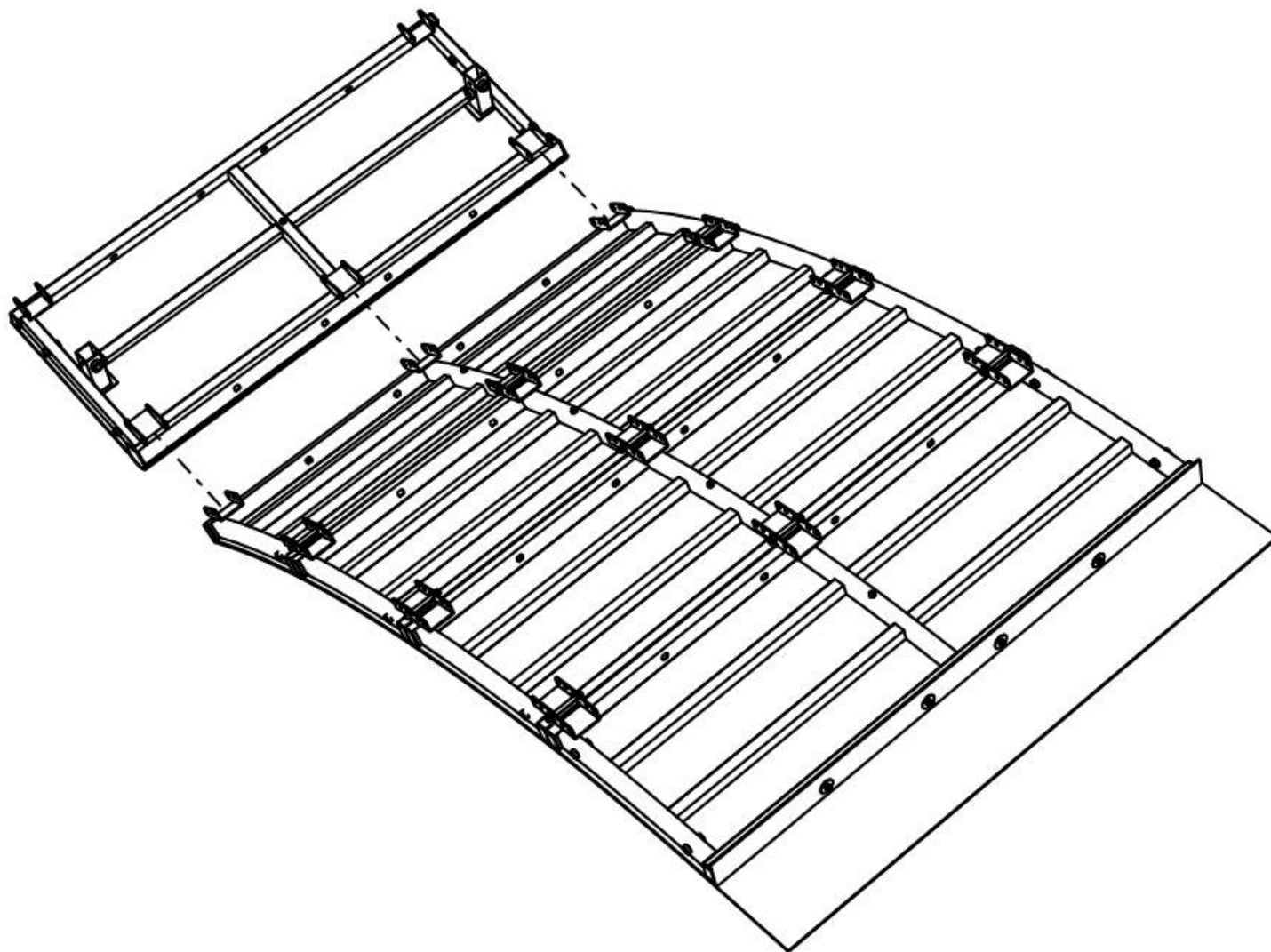
TOP PANEL

STEP 7

Add the top panel with the coping onto the ramp bolting the coping to the top of the ramp.

Align the panels with the hinges together.

Align the panels so the edges of panels are flush with each other.



TOP PANEL

STEP 8

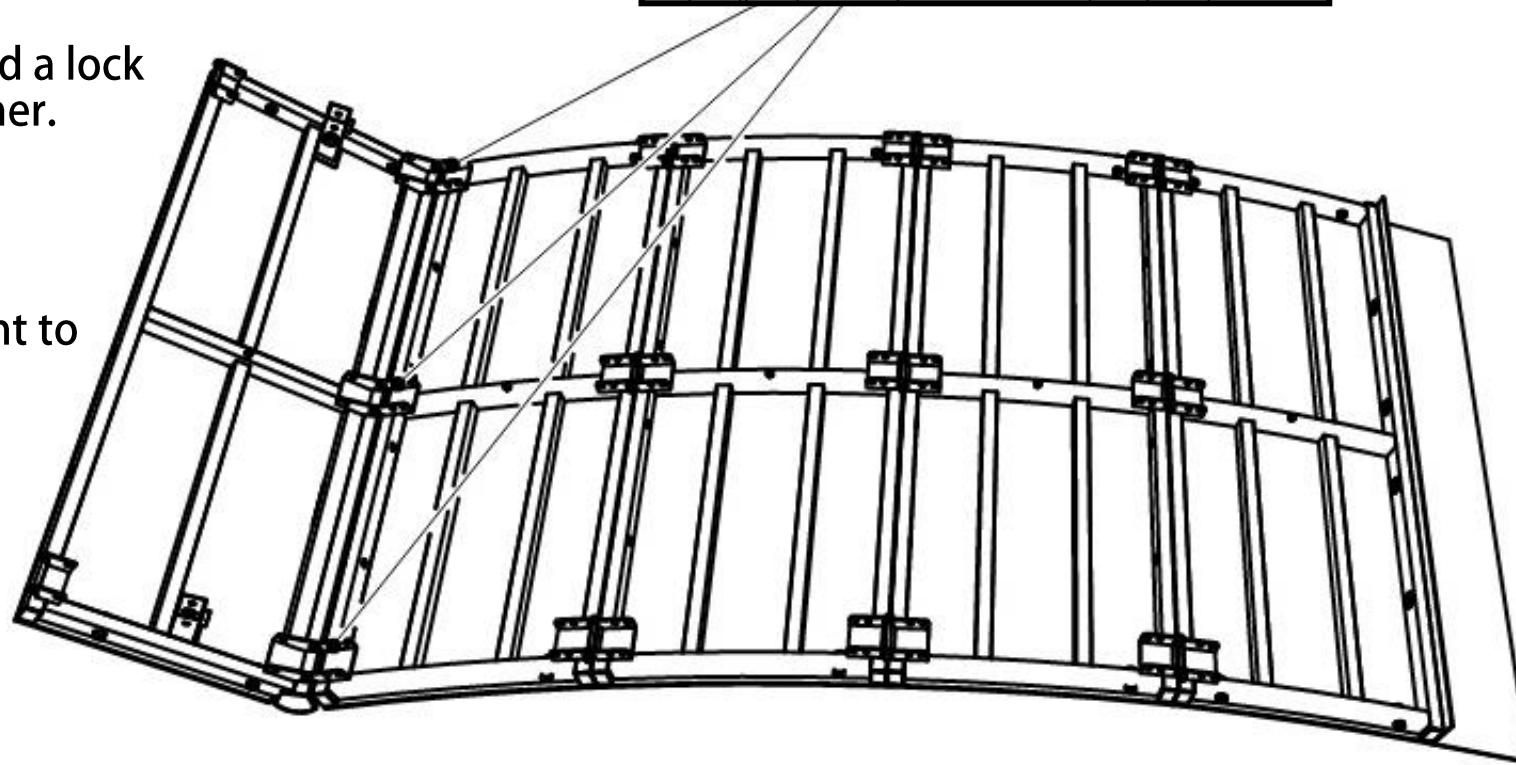
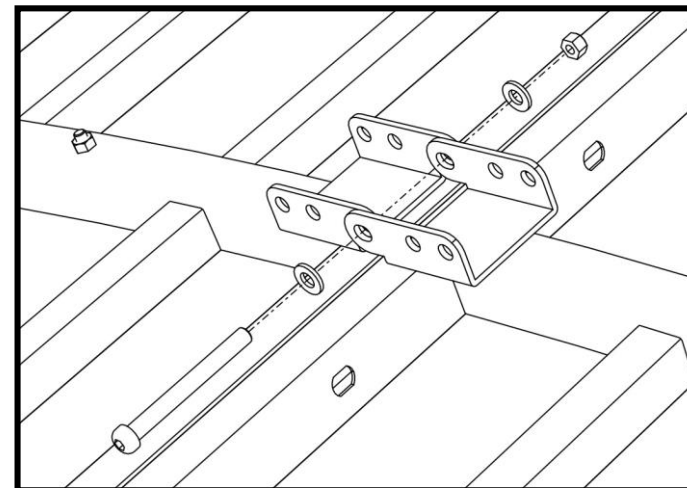
Bolt together the panels using the 3" bolts provided on the hinges.

Place a small washer on the 3" bolt and insert it through both hinges.

Follow it with a small washer and a lock nut to tighten the hinges together.

Caution:

Do not tighten the bolts too tight to allow the hinges to freely move.

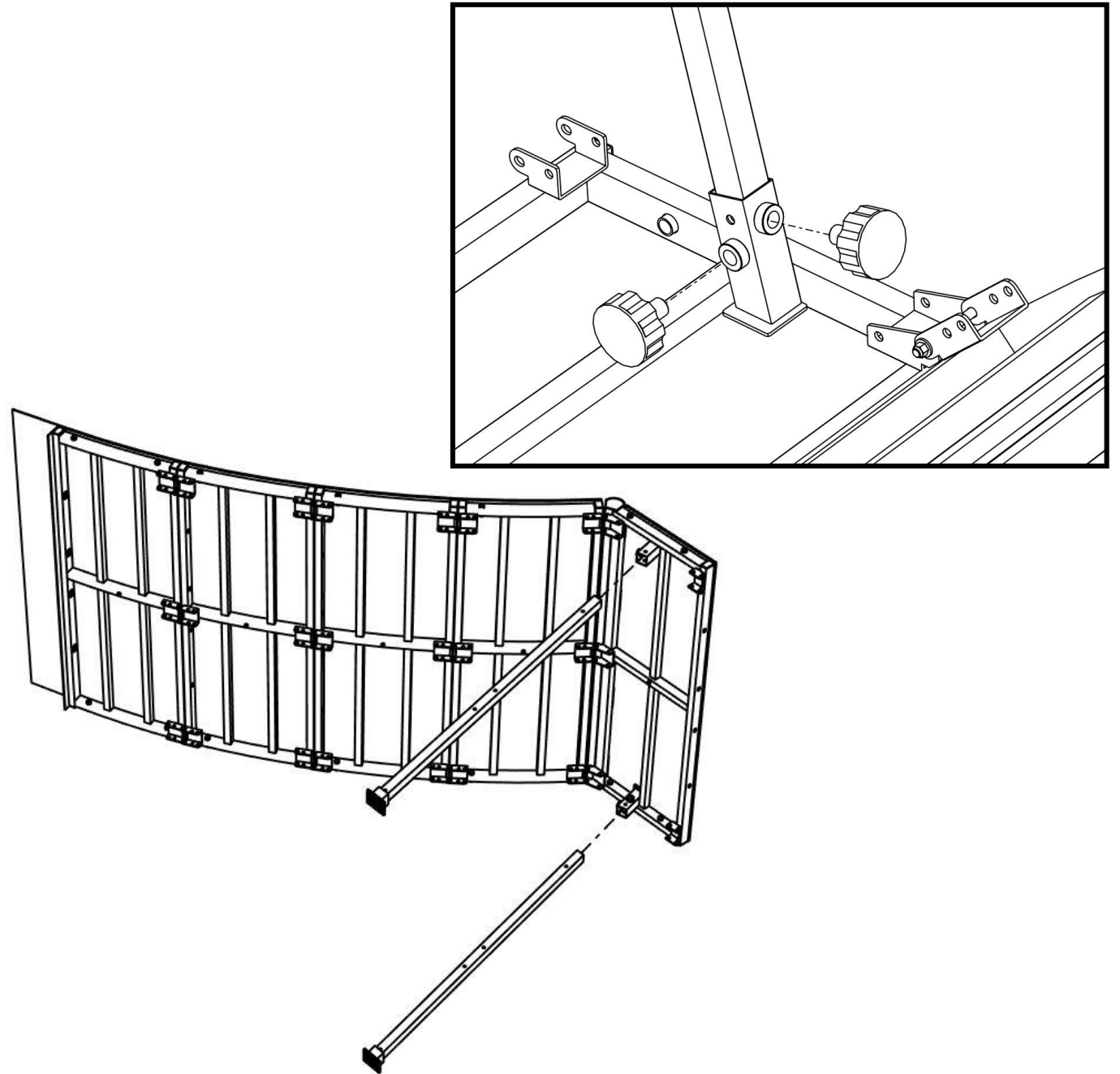


INSERTING LEGS

STEP 9

Insert the angled 4X4 legs the into receivers.

Tighten the legs down with the knobs by screwing them into the threads of the receivers until the legs are secure.



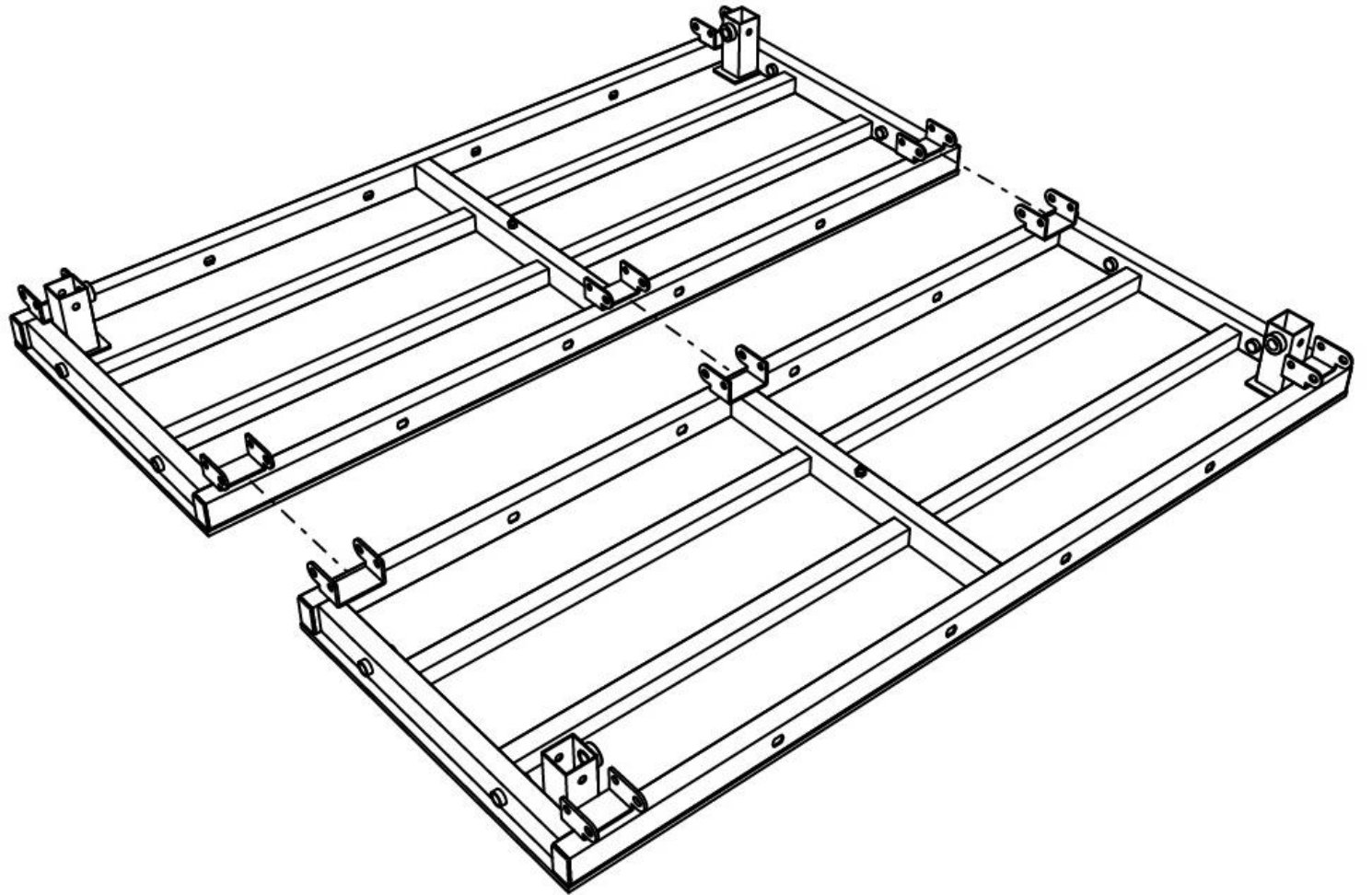
ALIGNING PANELS

STEP 10

Make two fun boxes (One with a coping and one without).

Align the two panels with the hinges together.

Align the panels so the edges of panels are flush with each other.



BOLTING HINGES

STEP 11

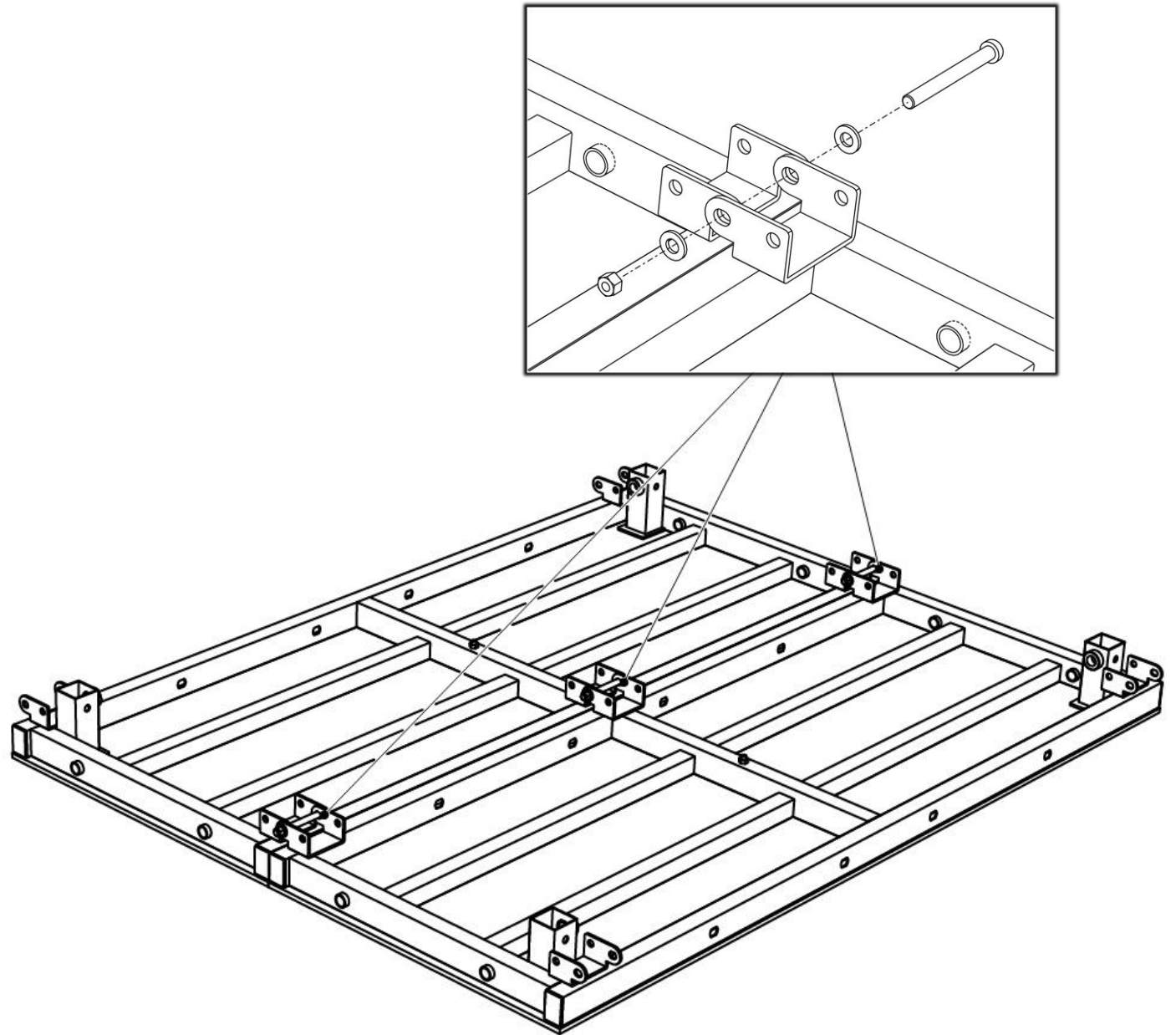
Bolt together the panels using the 3" bolts provided on the 3 hinges.

Place a small washer on the 3" bolt and insert it through both hinges.

Follow it with a small washer and a lock nut to tighten the hinges together.

Caution:

Do not tighten the bolts too tight to allow the hinges to freely move.



ATTACHING COPING

STEP 12

Place the Coping on the flat side of the Fun Box so the curved piece will be on the top of the ramp as shown.

Align the 4 holes in the coping with the 4 holes in the tubing of the panel.

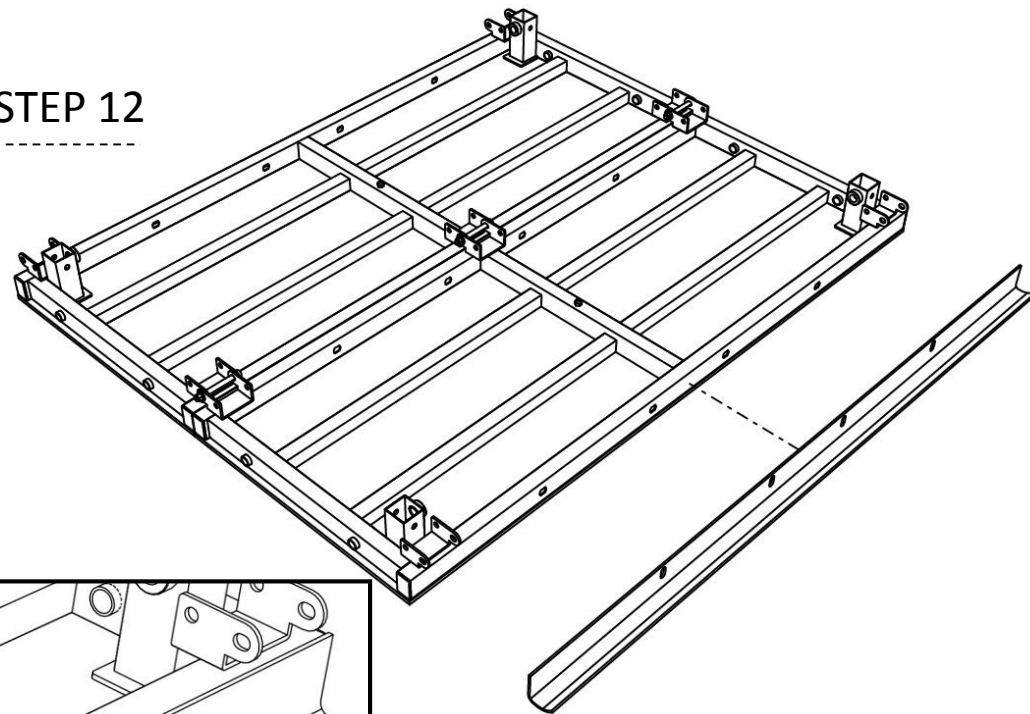
STEP 13

Use the 2" bolts to attach the coping to the fun box.

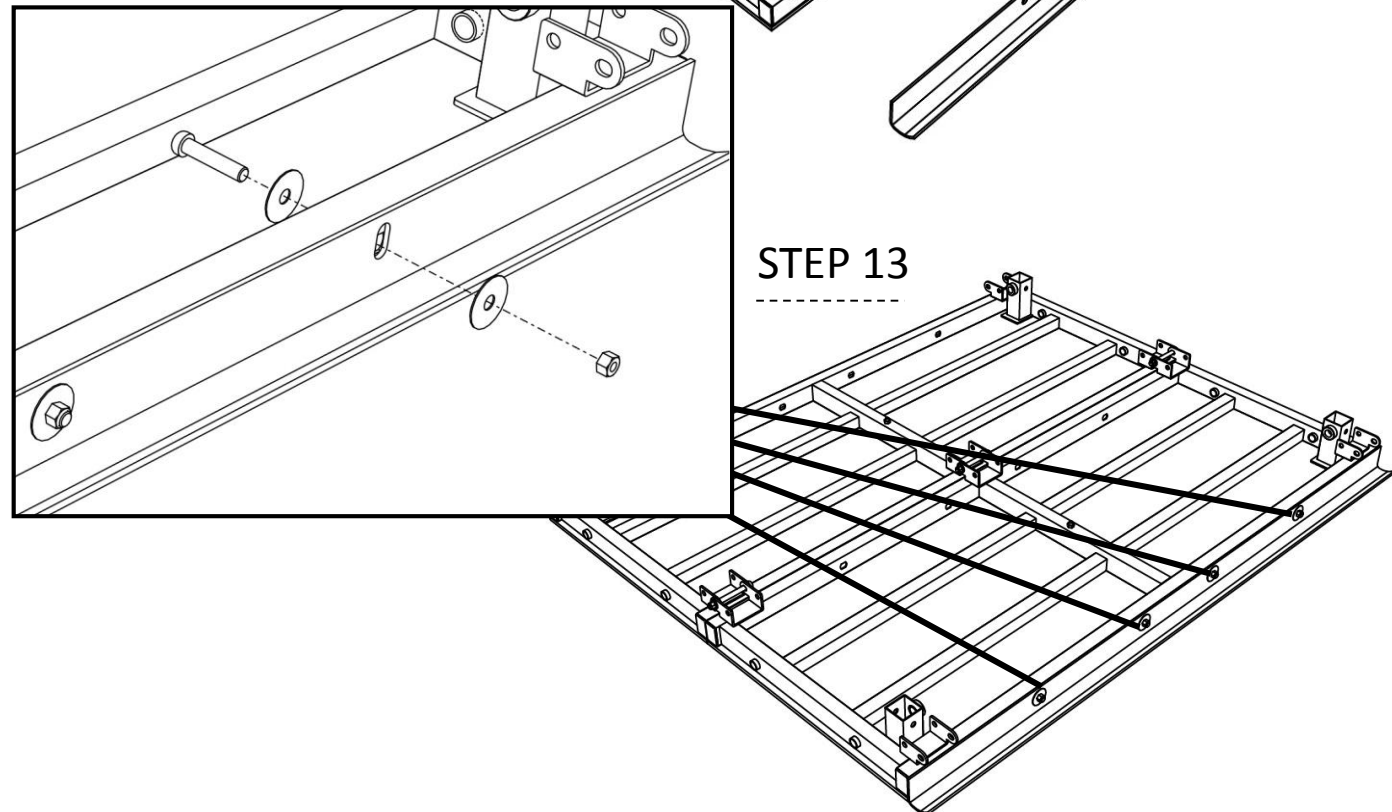
Place a big washer onto the 2" bolt and insert it through the tubing and coping.

Follow it with a big washer and a lock nut to tighten the coping to the Funbox.

STEP 12



STEP 13

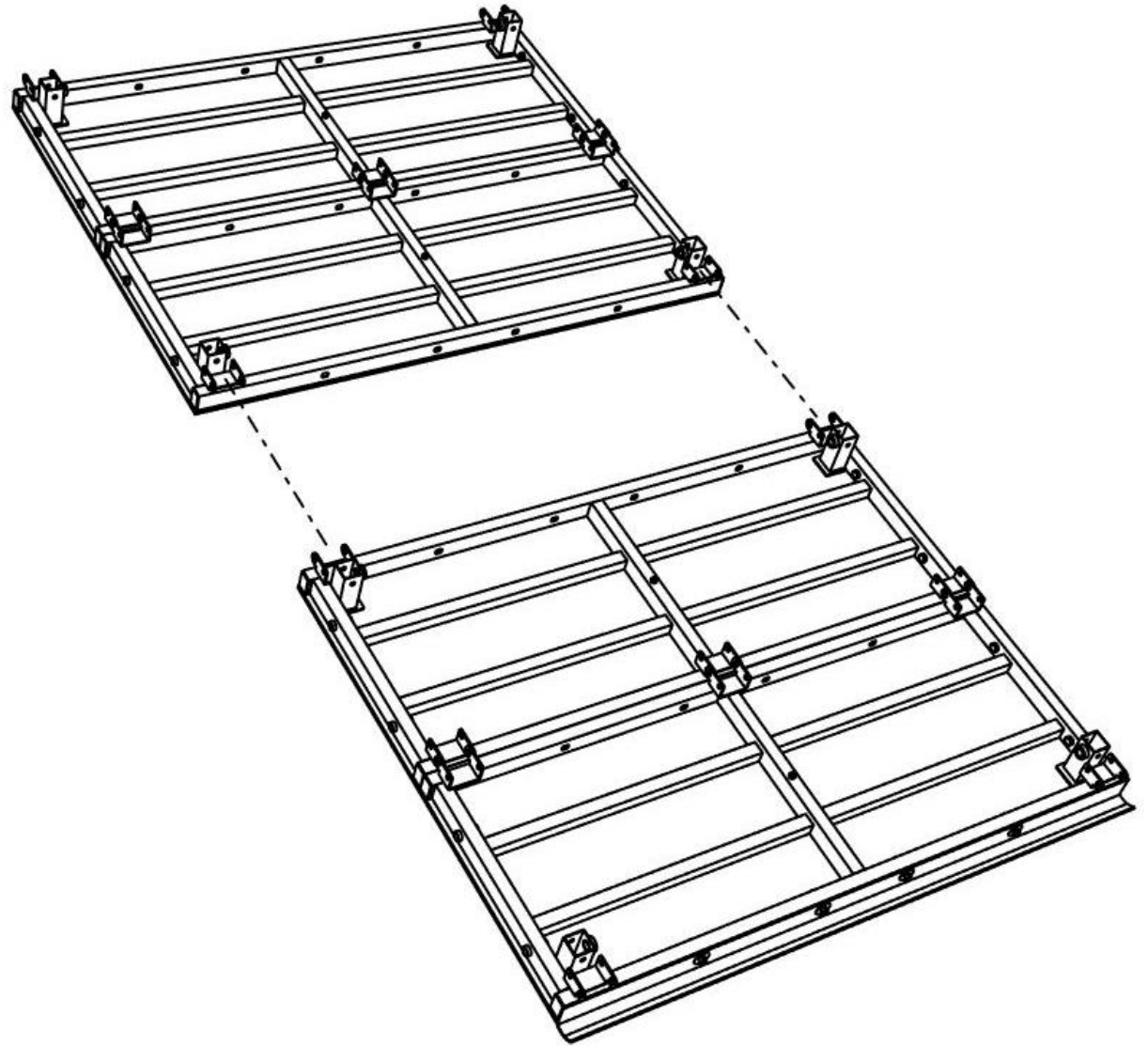


ALIGNING PANELS

STEP 14

Align the two Fun Boxes with the hinges together.

Align the panels so the edges of panels are flush with each other.



BOLTING HINGES

STEP 15

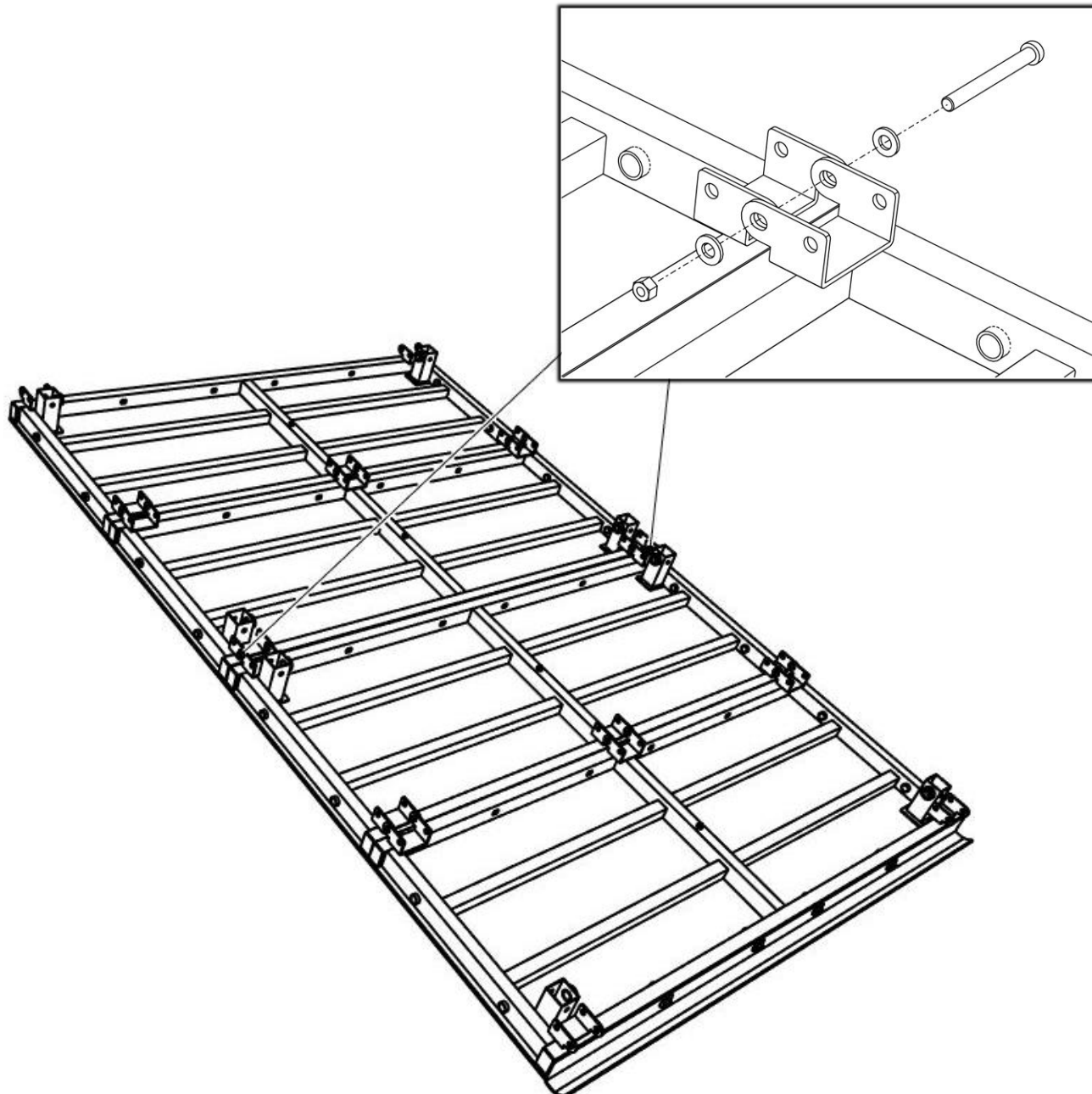
Bolt together the panels using the 3" bolts provided on the hinges.

Place a small washer on the 3" bolt and insert it through both hinges.

Follow it with a small washer and a lock nut to tighten the hinges together.

Caution:

Do not tighten the bolts too tight to allow the hinges to freely move.



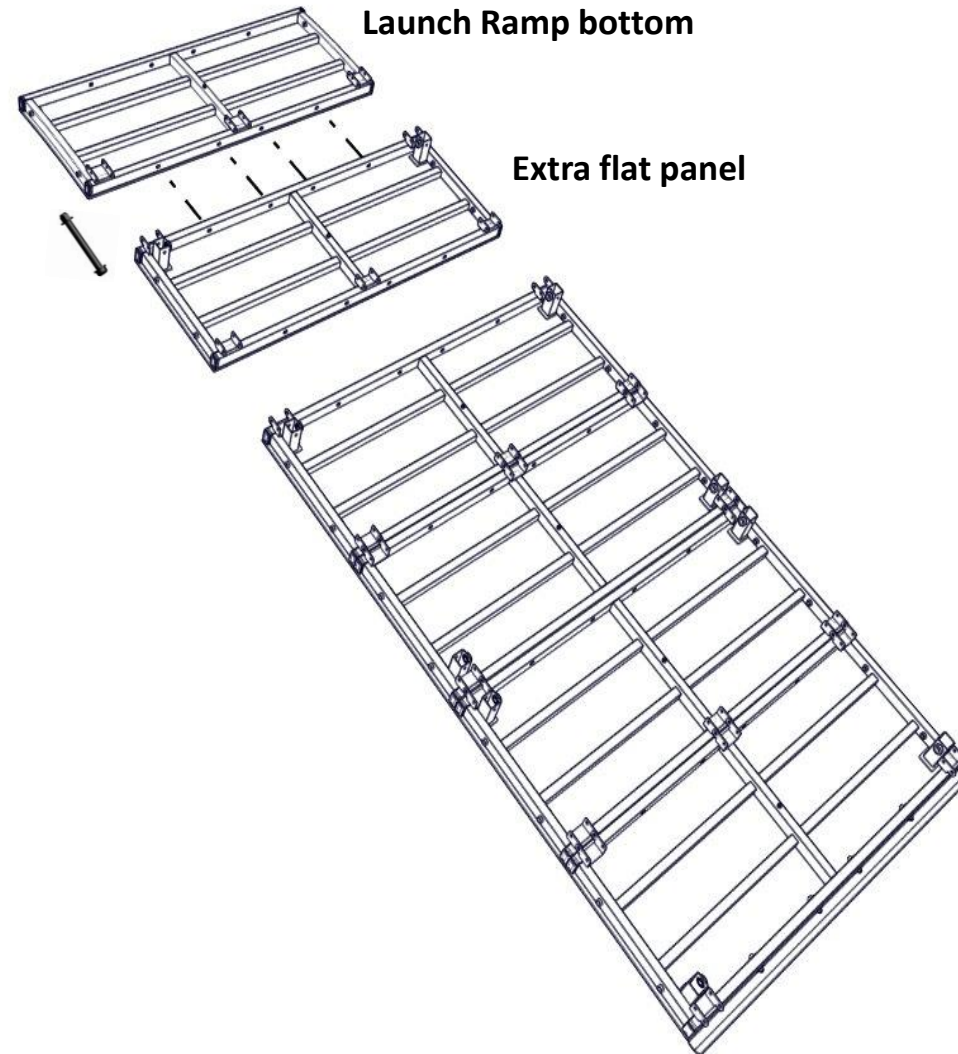
ALIGNING PANELS

STEP 16

Add a Launch Ramp bottom (curved panel without receivers) to the extra flat panel.

Add and align another flat panel from the 4x4 Extension Kit to the two Fun Boxes, the side without coping.

Bolt together the panels using the 3" bolts with washers on each side provided in the kit.



BOLTING HINGES

STEP 17

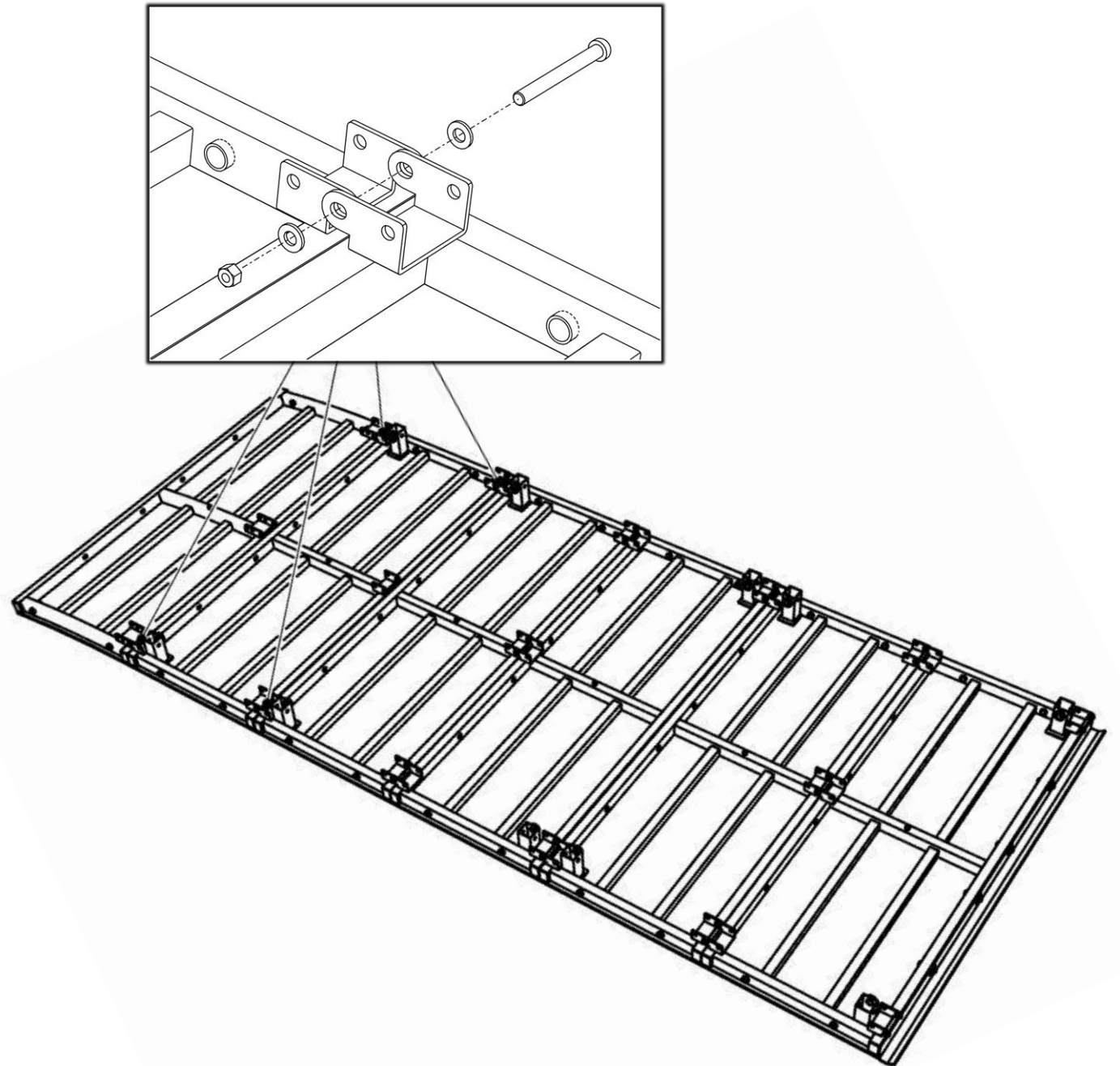
Bolt together the panels using the 3" bolts provided on the hinges.

Place a small washer on the 3" bolt and insert it through both hinges.

Follow it with a small washer and a lock nut to tighten the hinges together.

Caution:

Do not tighten the bolts too tight to allow the hinges to freely move.

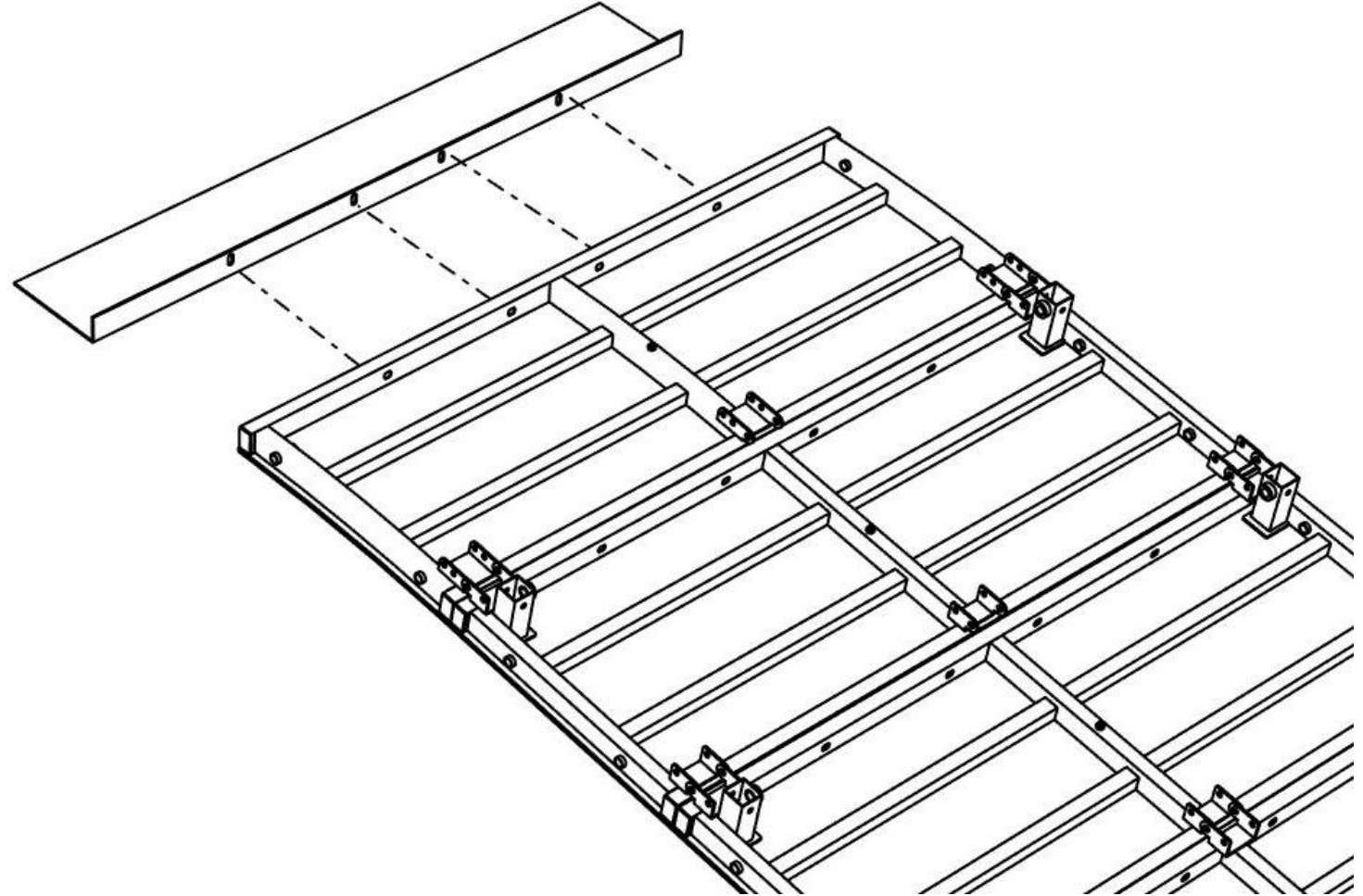


TOE PIECE

STEP 18

Place the toe piece on the bottom panel of the ramp.

Align the 4 holes in the coping with the 4 holes in the tubing of the panel.



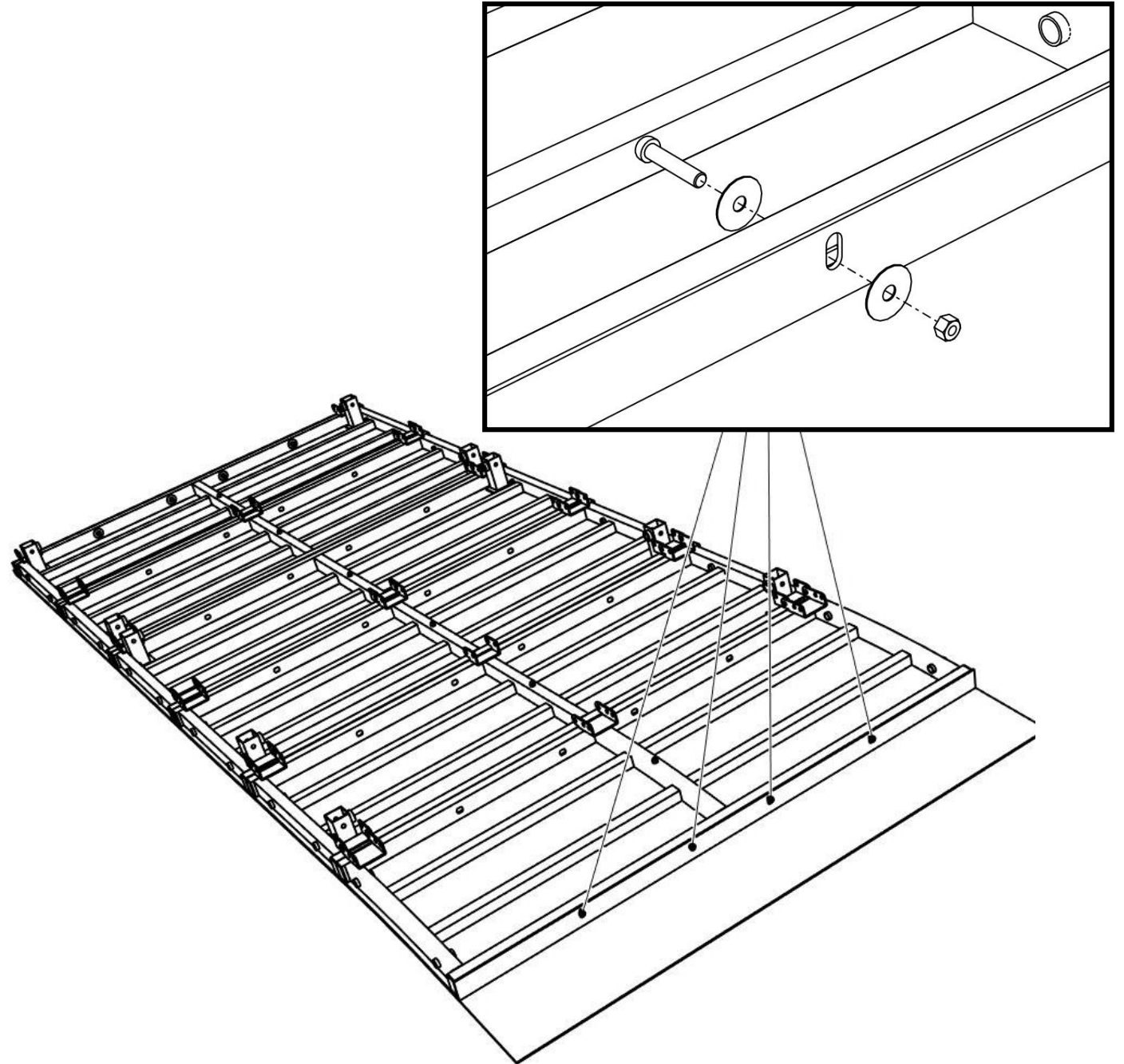
TOE PIECE

STEP 19

Use the 2" bolts to attach the toe piece to the ramp

Place a big washer onto the 2" bolt and insert it through the toe piece and tubing

Follow it with a big washer and a lock nut to tighten the toe piece to the ramp



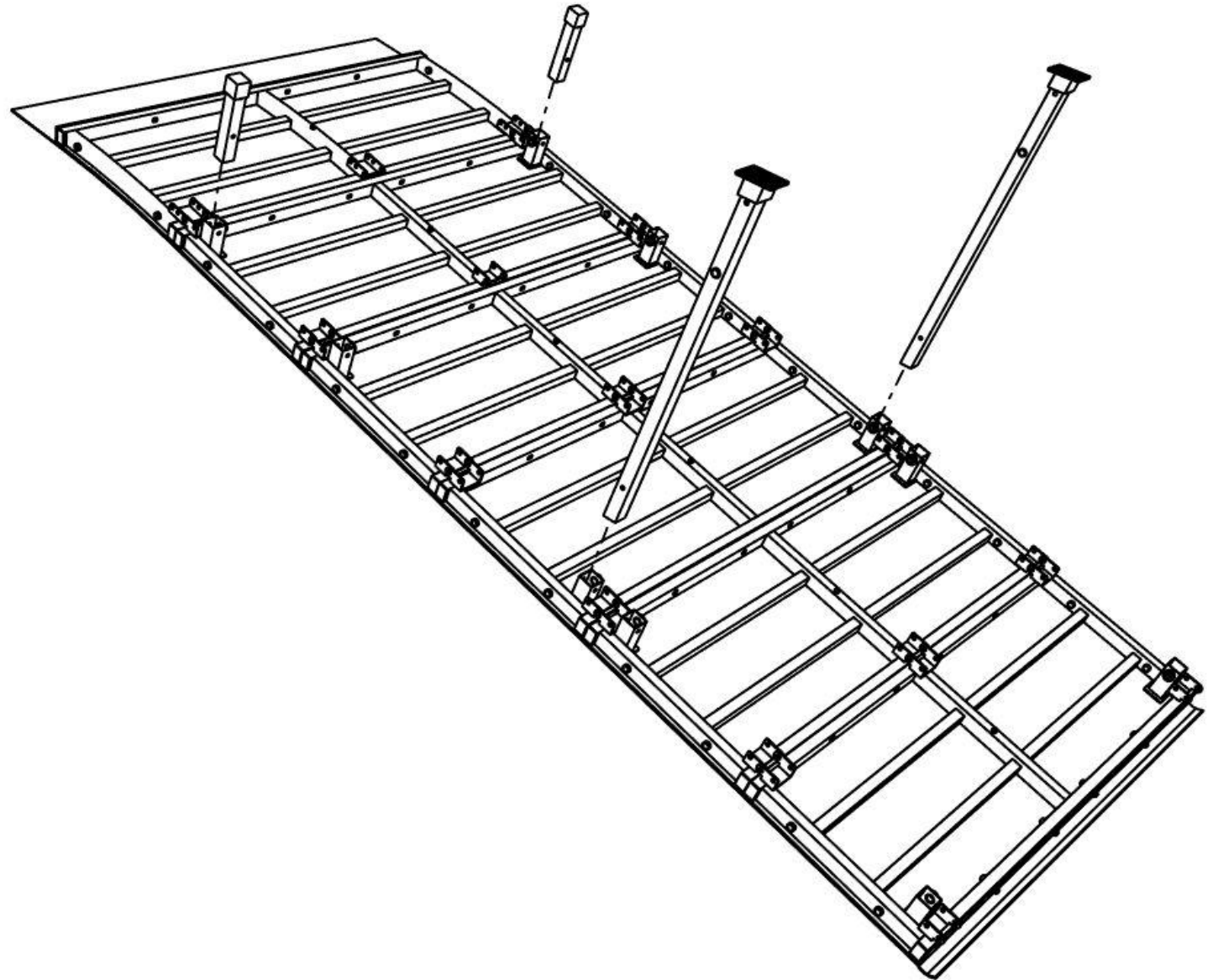
INSERTING LEGS

STEP 20

Insert the quarter pipe legs into receivers of the middle of the ramp shown.

Insert the Small fun box Legs into the last receivers at the bottom of the ramp as shown.

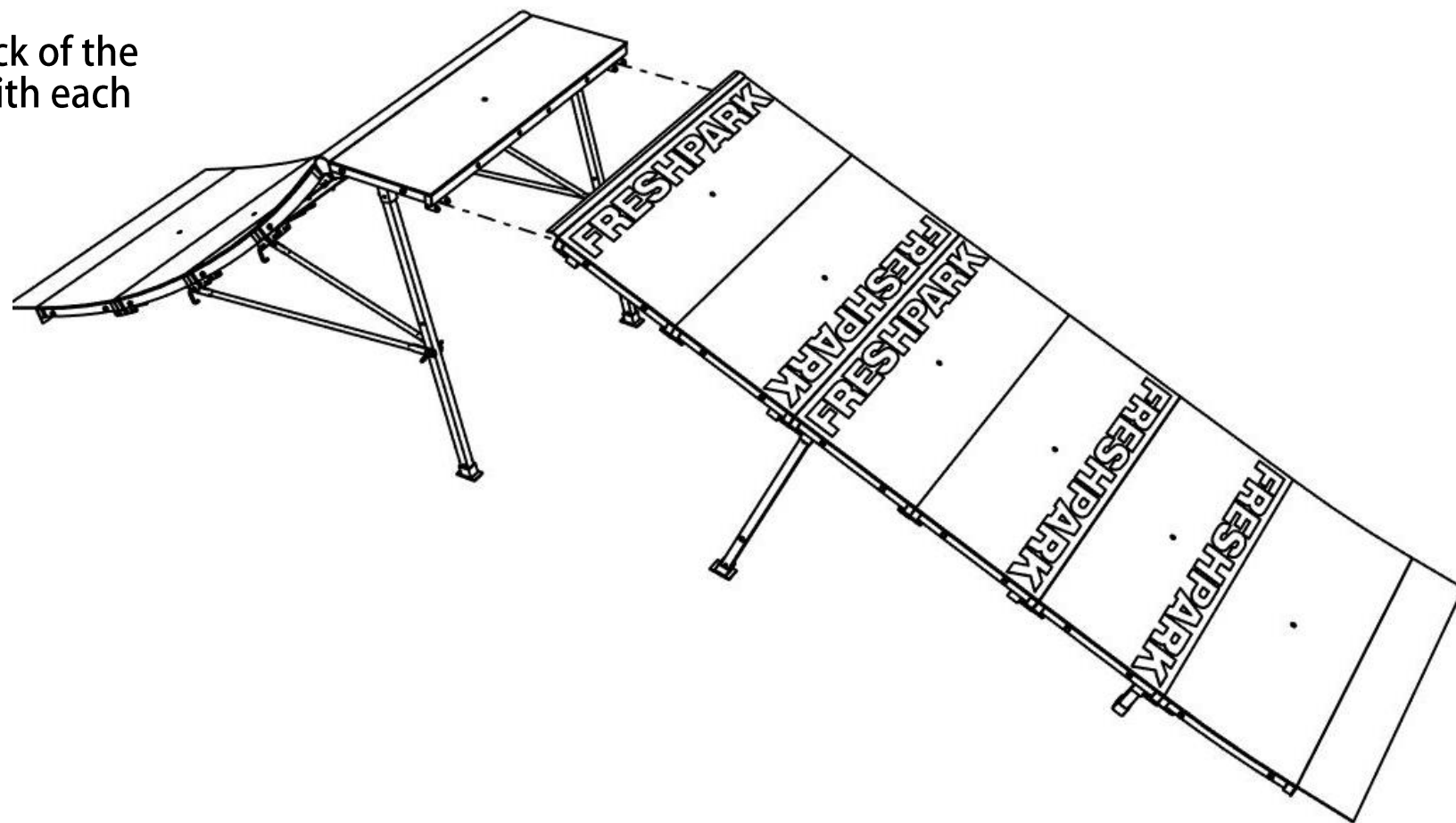
Tighten the legs down with the knobs by screwing them into the threads of the receivers until the legs are secure.



ALIGNING PANELS

STEP 21

Add the landing ramp to the back of the 4X4 ramp aligning the hinges with each other.



BOLTING HINGES

STEP 22

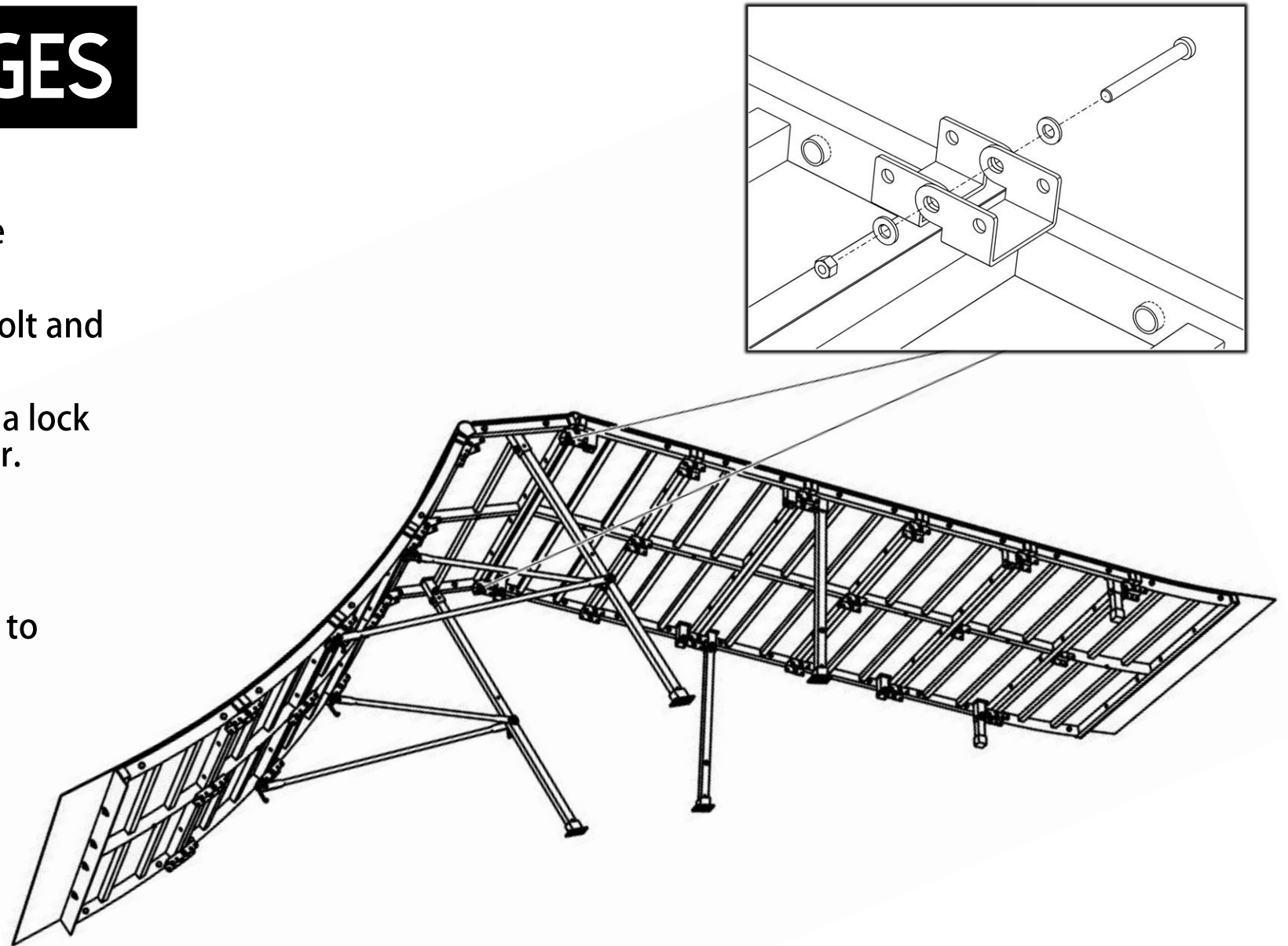
Bolt together the ramps using the 3" bolts provided on the hinges.

Place a small washer on the 3" bolt and insert it through both hinges.

Follow it with a small washer and a lock nut to tighten the hinges together.

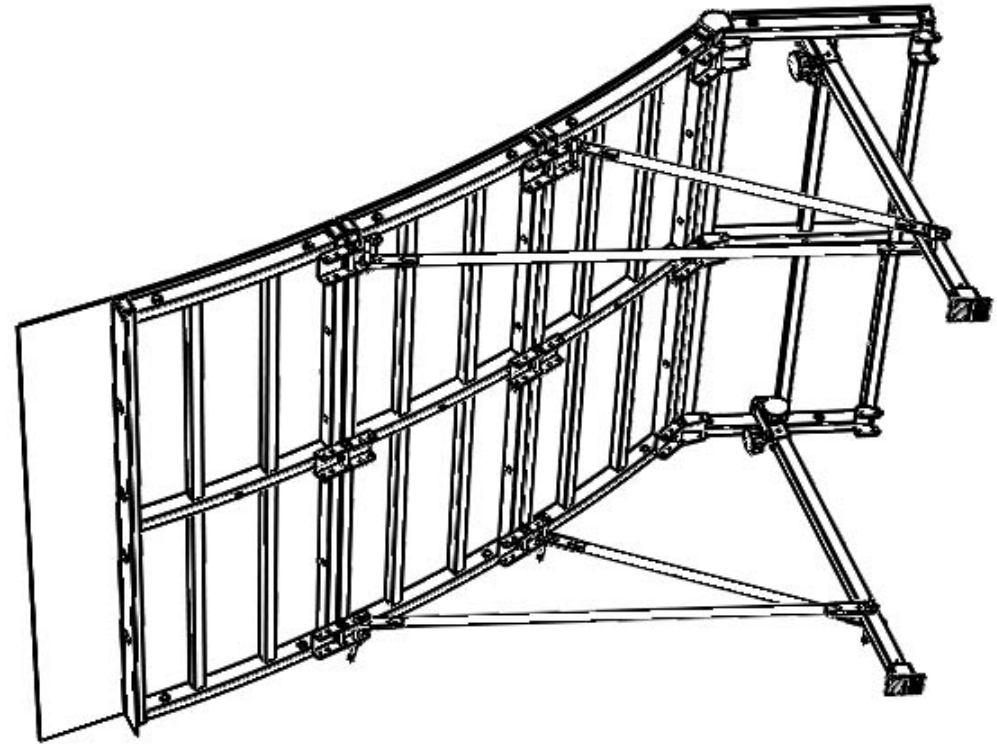
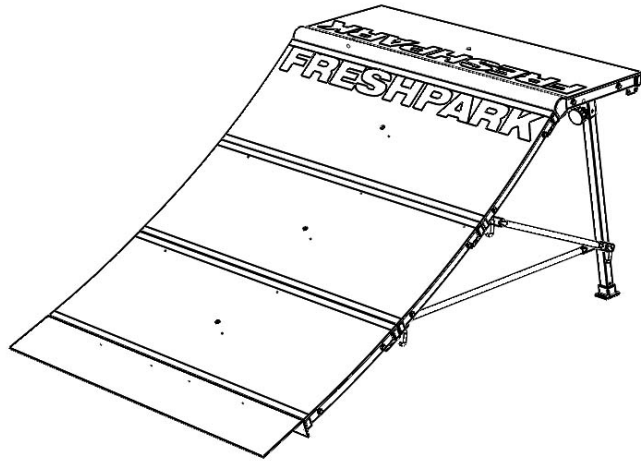
Caution:

Do not tighten the bolts too tight to allow the hinges to freely move.



Folding **FRESHPARK** Ramps

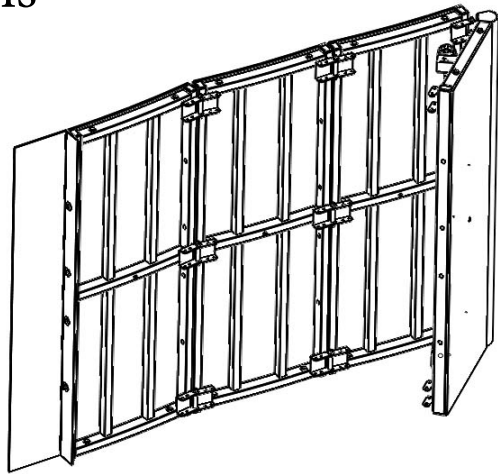
Step 1:
Lay the ramp onto its side (team
of 2 recommended)



Folding **FRESHPARK** Ramps

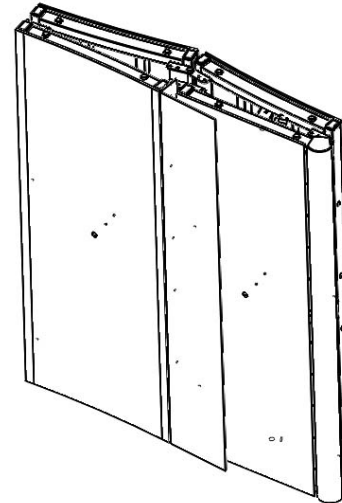
Step 2:

Remove all support bars and legs and carefully fold the panels



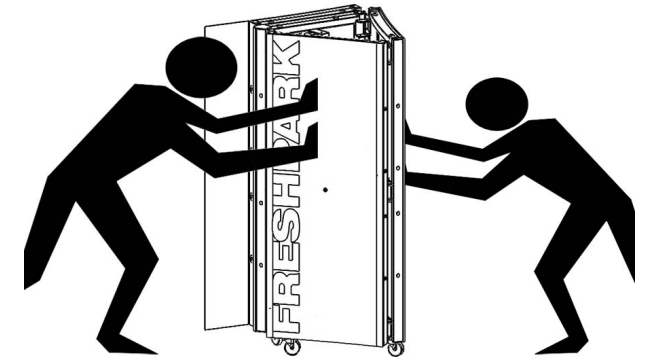
Step 3:

Fold into a desired configuration for easy storage



Warning

When transporting, never carry or push the ramp by yourself



Caution: To reduce the risk of injuries to hands and fingers, never insert your hands or fingers in between the panels or any folding joints.