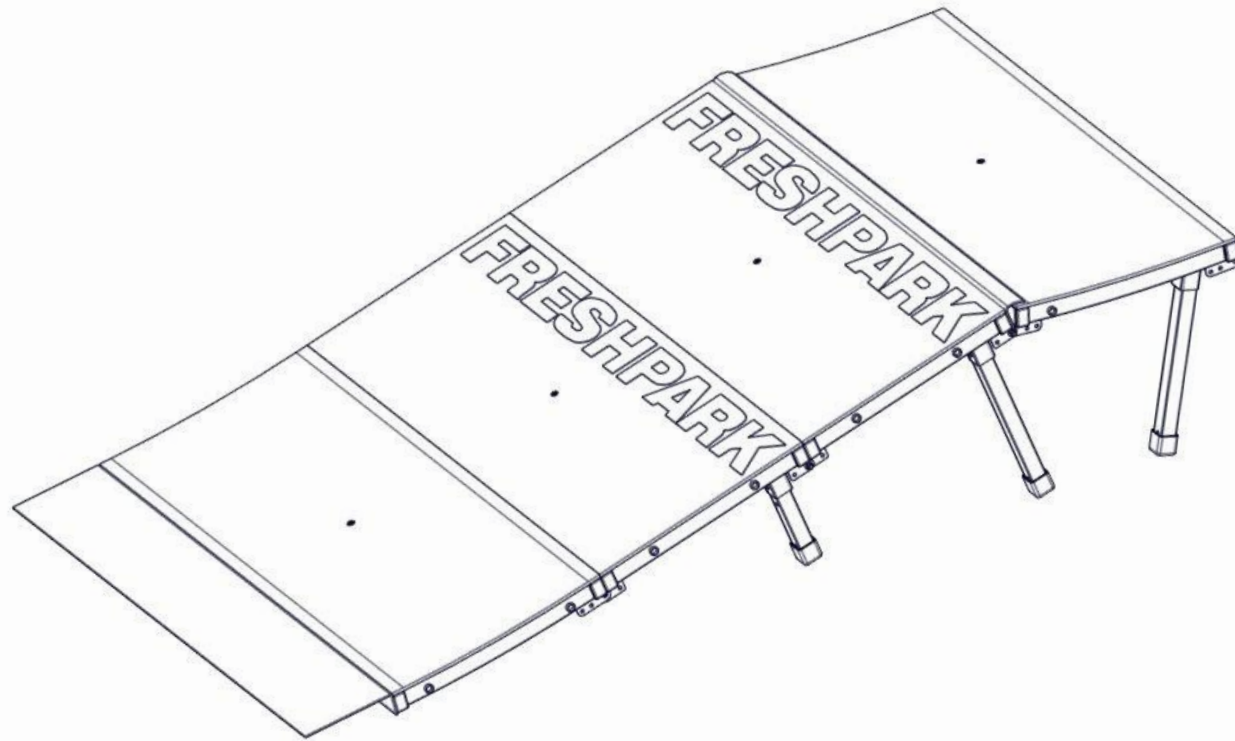


Bank carver INSTRUCTIONS



Parts list

1 – Launch Ramp Bottom Panel

1 - Launch Ramp Top Panel

2 – Fun Box Panels

2 – Fun Box Long legs

2 – Fun Box Short legs

2 – Launch Ramp legs

4 - J-bolts

4 - 3" bolts

8 - 2" bolts

8 - Small washers

20 – Large washers

4 - Wing nuts

4 – 3/8 Bolts

8 – 3/8 Large Washers

4 – 3/8 Lock Nuts

2 – Small Support Bars

2 – Coping Pieces

1 – Toe Piece

Aligning panels

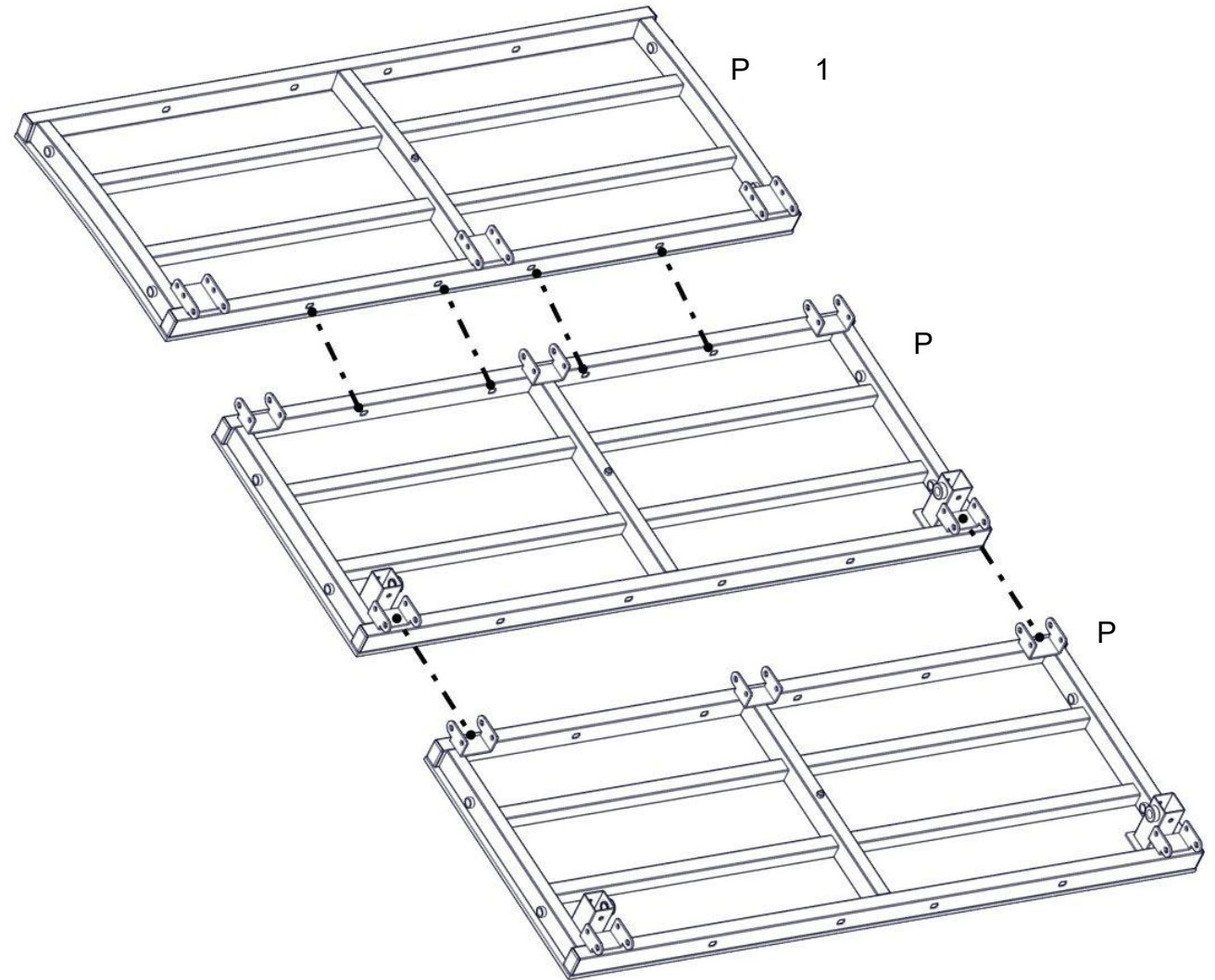
STEP 1

Start with the bottom of the launch ramp panel with hinges on one side

Place a fun box panel next with the receivers facing away from the launch ramp panel

Follow it with another fun box panel in the same orientation

Line up the fun box hinges with each other as shown and line up the 4 holes in the frame of the launch ramp bottom and fun box panel



Bolting hinges

STEP 2

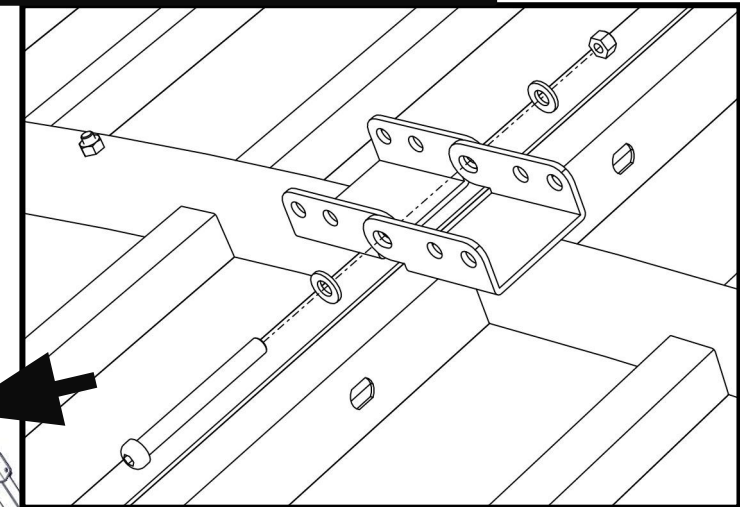
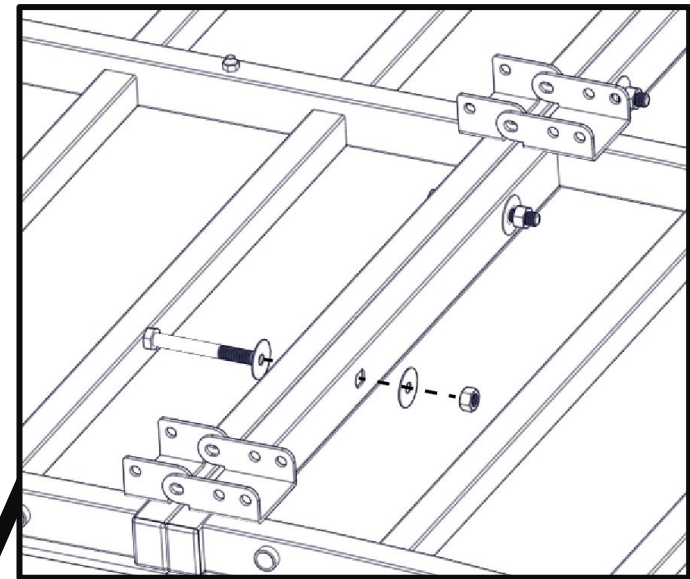
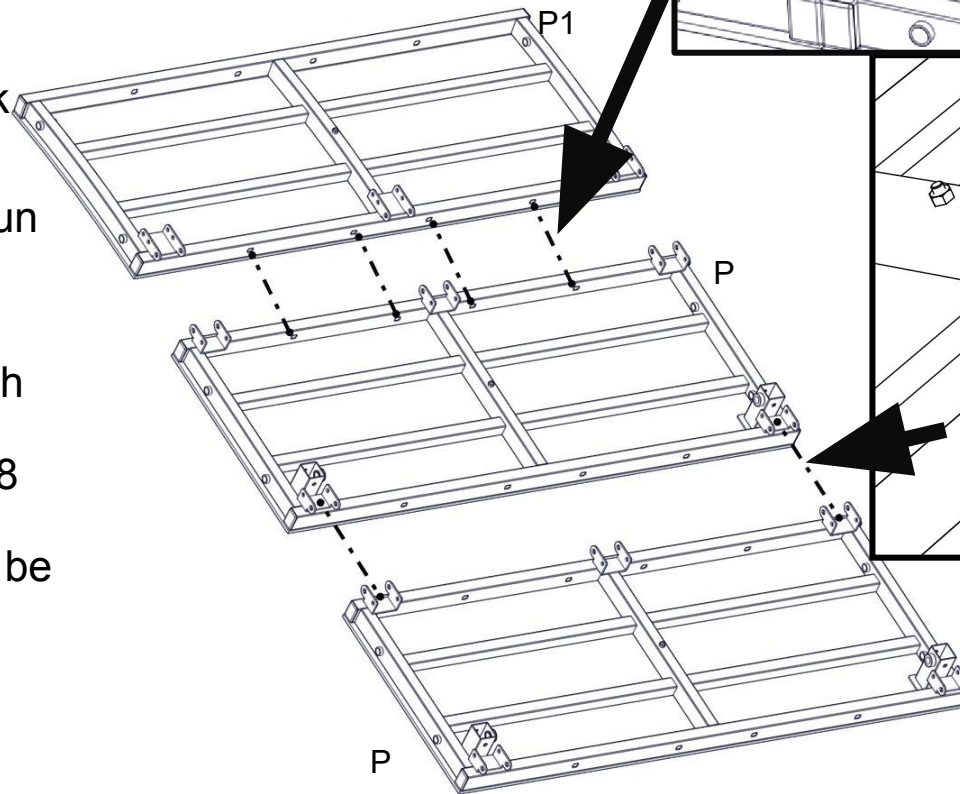
To bolt together the fun box panels using the 3" bolts provided on the hinges

Place a small washer on the 3" bolt and insert it through both hinges

Follow it with a small washer and a lock nut to tighten the hinges together

To bolt the launch ramp bottom to the fun box panels use 3/8 bolts, washers, and nuts provided

Place a 3/8 bolt through both frames with extra large washers on both sides and tighten down with the 3/8 nut. These 3/8 bolt/nut/washer sets will be especially included with your order. These should be on very tightly.



Attaching coping

STEP 3

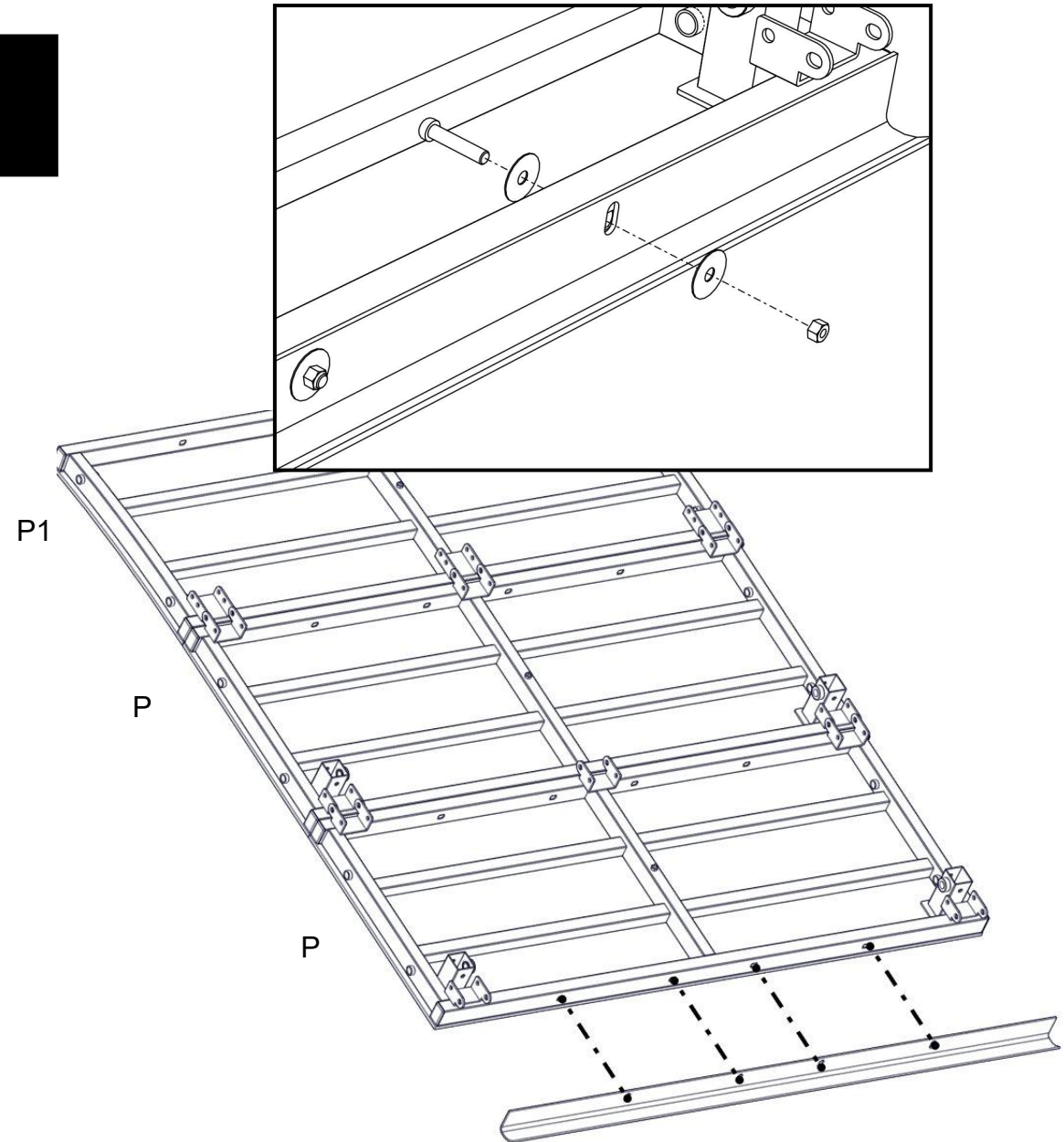
Place the coping on the flat side of the fun box panel so the curved piece will be on the top of the ramp as shown

Align the 4 holes in the coping with the 4 holes in the tubing of the panel

Use the 2"bolts to attach the coping to the fun box

Place a big washer onto the 2"bolt and insert it through the tubing and coping

Follow it with a big washer and a lock nut to tighten the coping to the fun box



Aligning panels

STEP 4

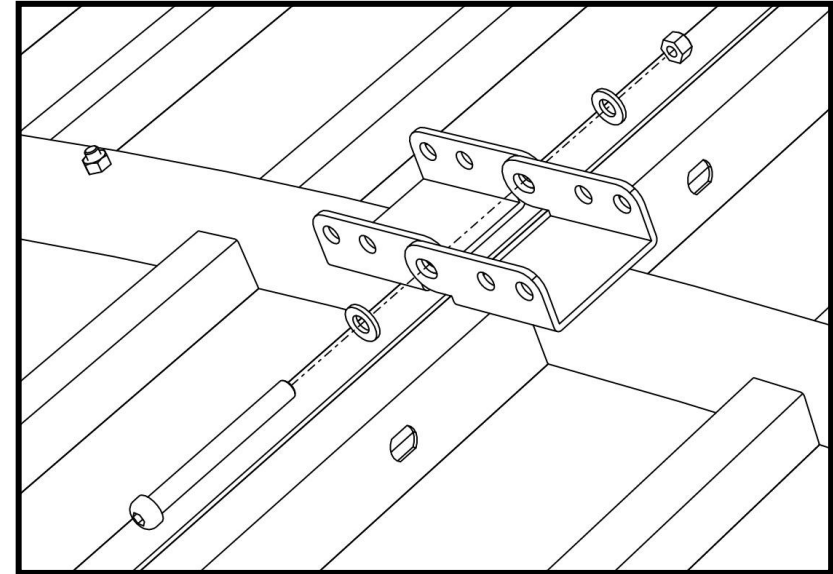
Place the last launch ramp top panel to the hinges on the fun box panel

Have the receivers of the launch ramp facing away from the fun box panel as shown

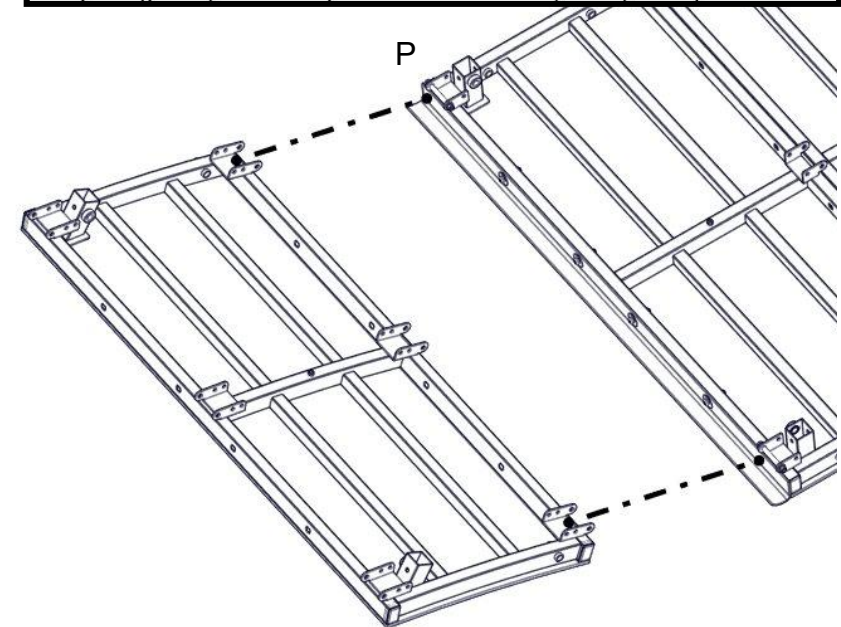
Bolt together the panels using the 3"bolts provided on the hinges

Place a small washer on the 3" bolt and insert it through both hinges

Follow it with a small washer and a lock nut to tighten the hinges together



P



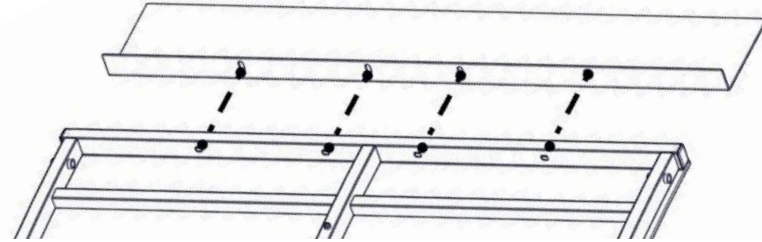
Toe piece

STEP 5

Place the toe piece on the flat side of the bottom panel

Align the 4 holes in the coping with the 4 holes in the tubing of the panel

P1



Toe piece

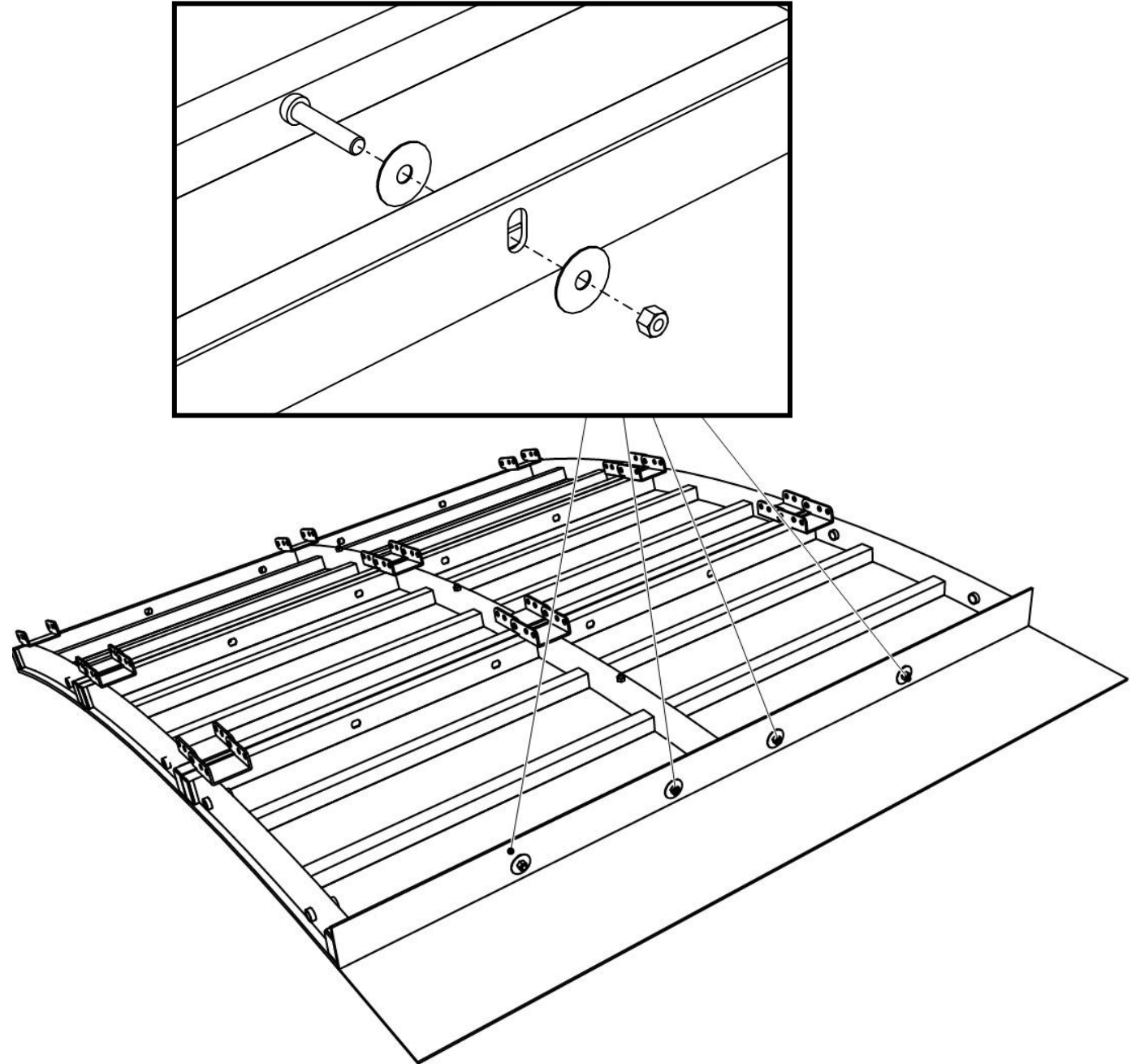
STEP 6

Use the 2"bolts to attach the toe piece to the bottom panel

Place a big washer onto the 2"bolt and insert it through the toe piece and tubing

Follow it with a big washer and a lock nut to tighten the toe piece to the launch ramp.

If the toe piece is not flush to the ground and/or is floating, loosen up the four 2" bolts to where it is snug but will angle the toe piece properly to the ground.



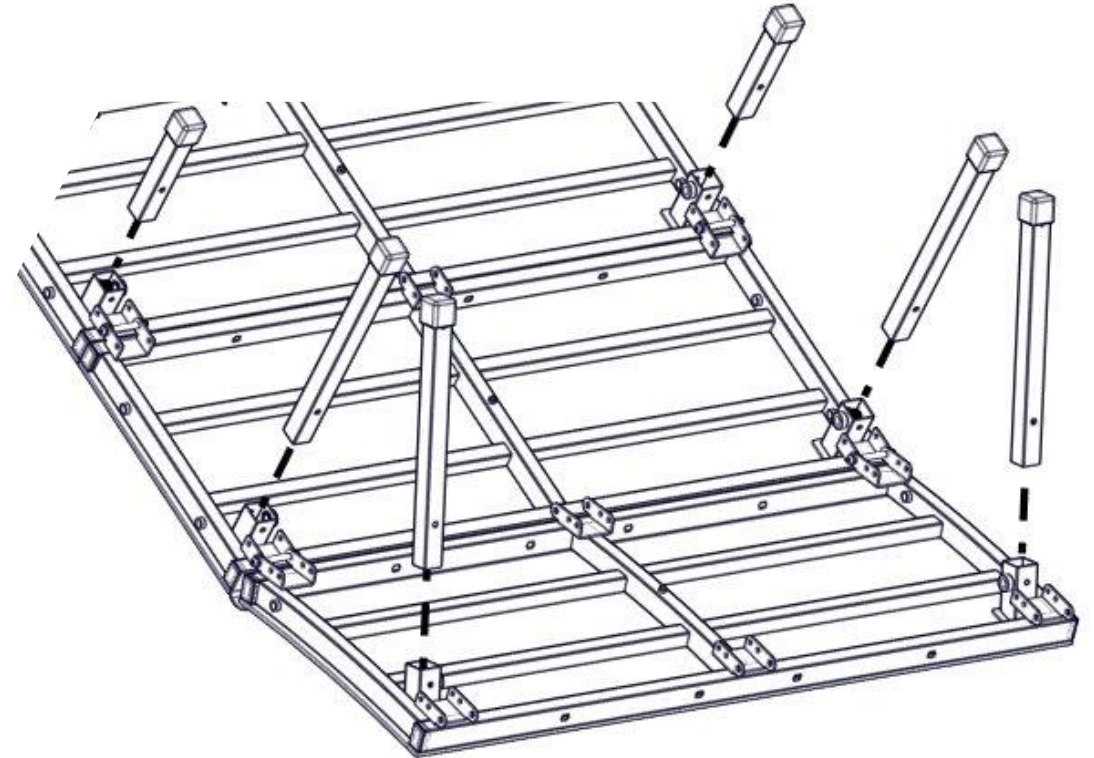
Inserting legs

STEP 7

Insert the tall fun box legs to the top 2 receivers and the small fun box legs to the 1st set of receivers

The small fun box legs may need to be adjusted to sit flat on the ground

Tighten the legs down with the knobs by screwing them into the threads of the receivers until the legs are secure

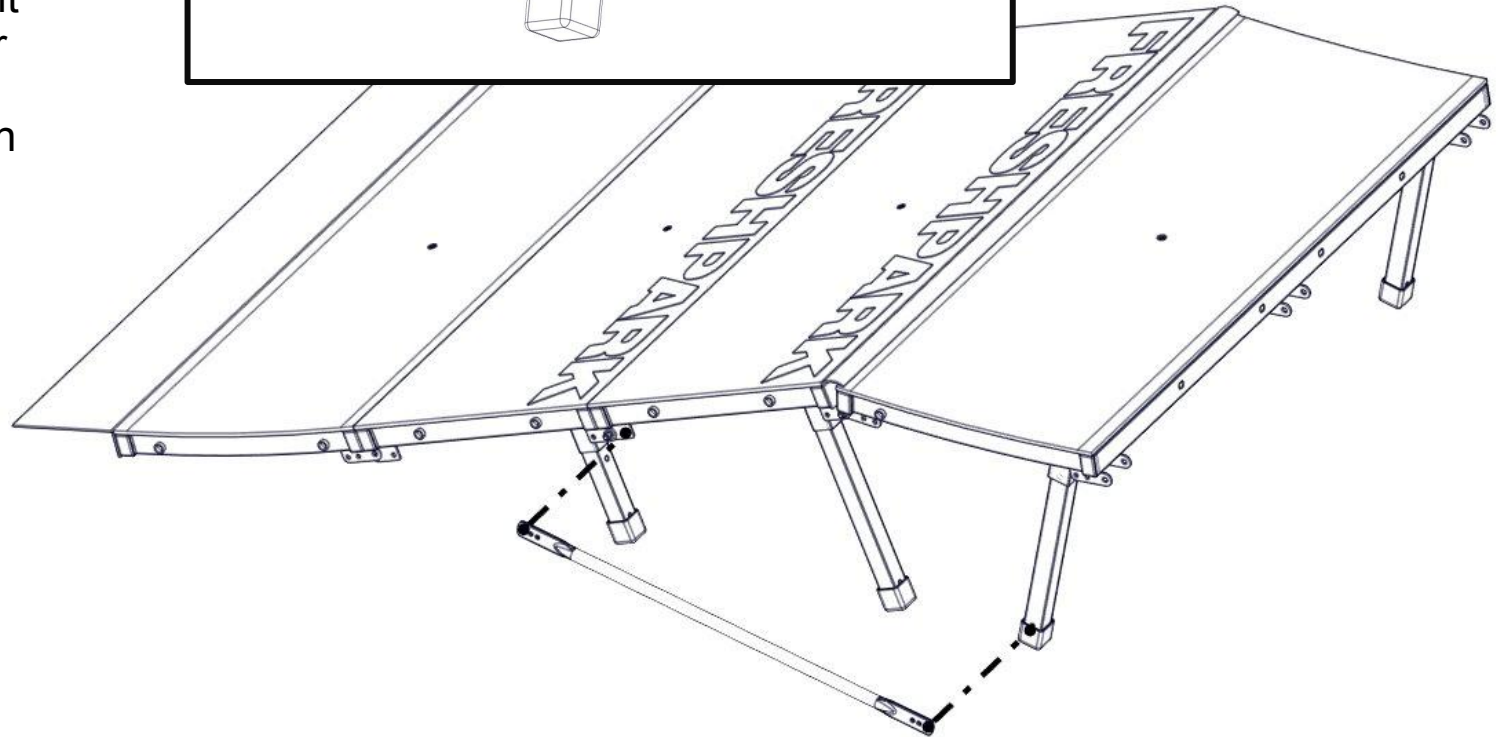
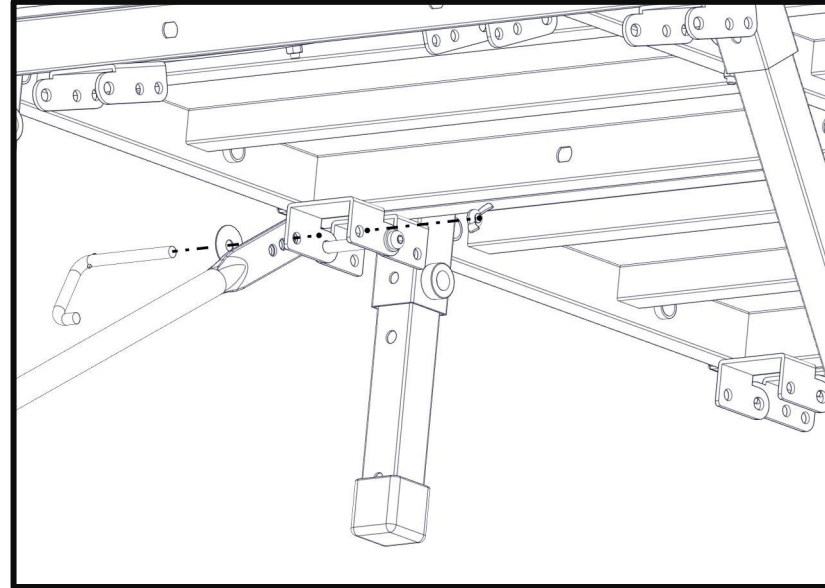


Support bars

STEP 8

Place the support bar on the hinge by the short leg of the ramp as shown and on the bottom of the last long leg to prevent the ramp from tipping back

Bolt the support bar by placing a J-bolt through the support bar and the leg or hinge and then follow it with a large washer and wing nut to tighten it down

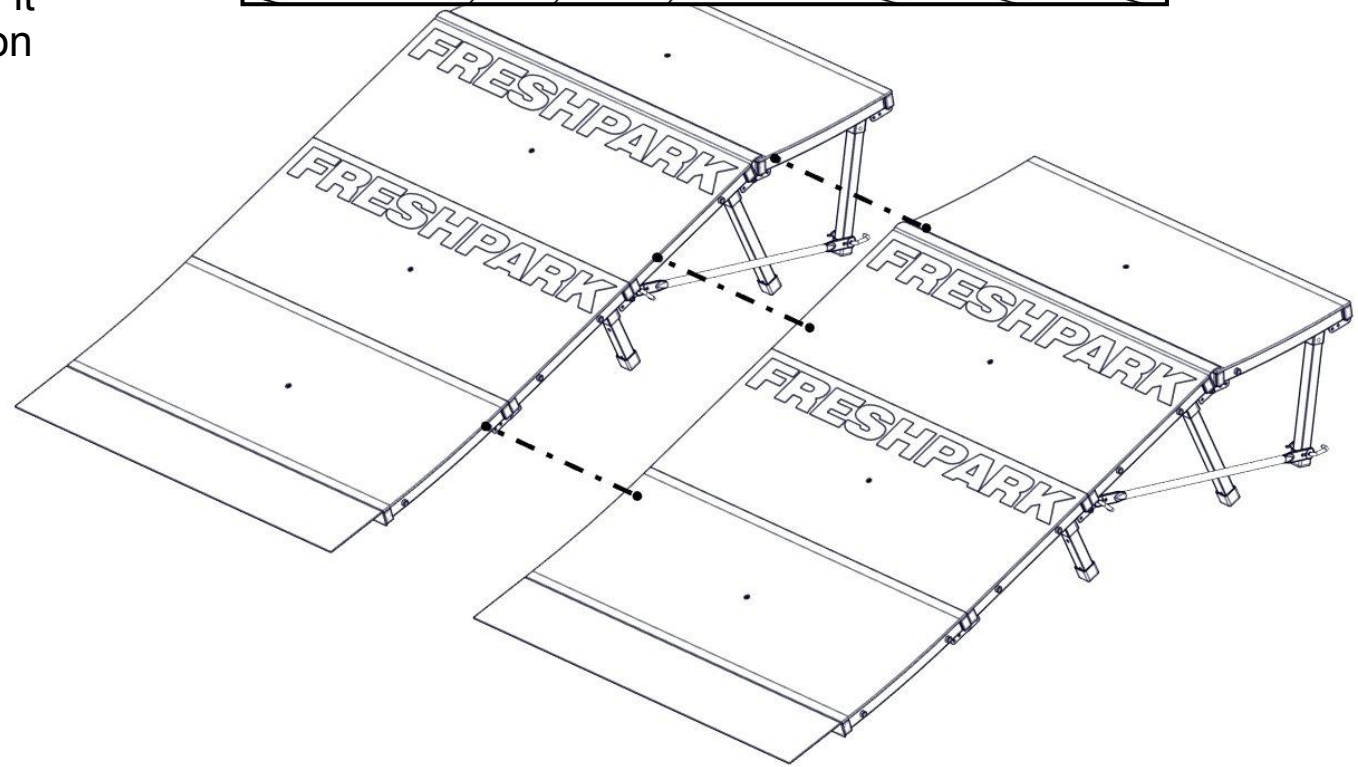
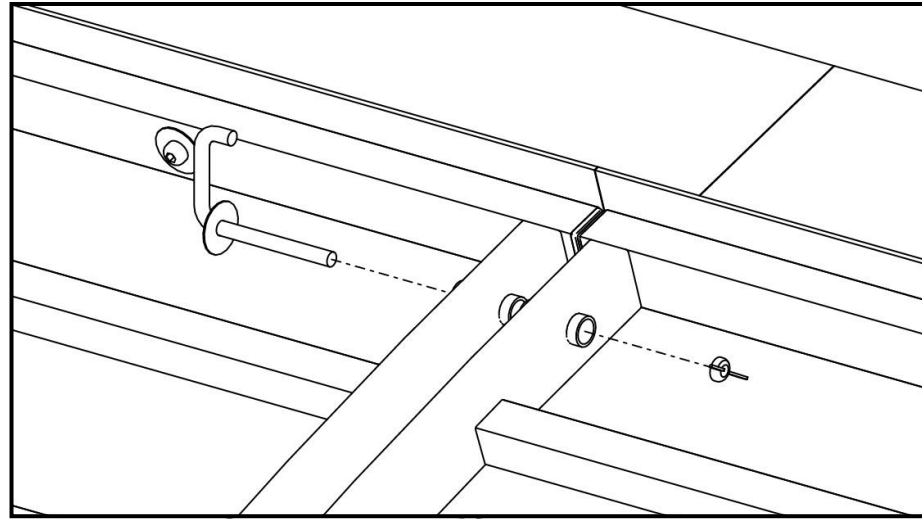


Bolting ramps

STEP 9

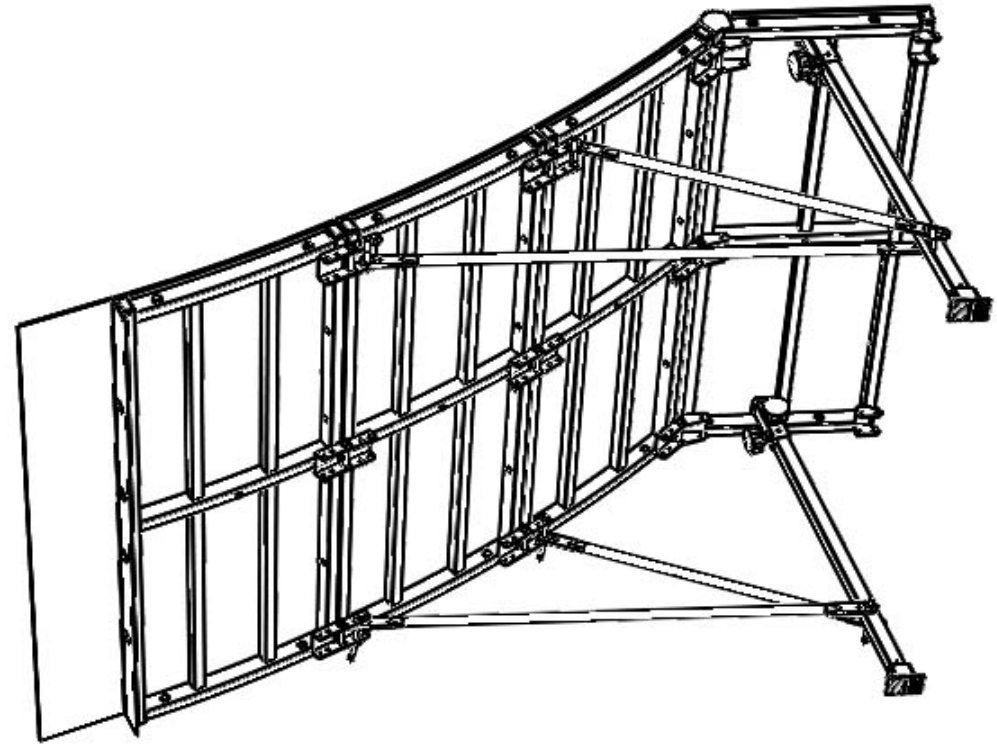
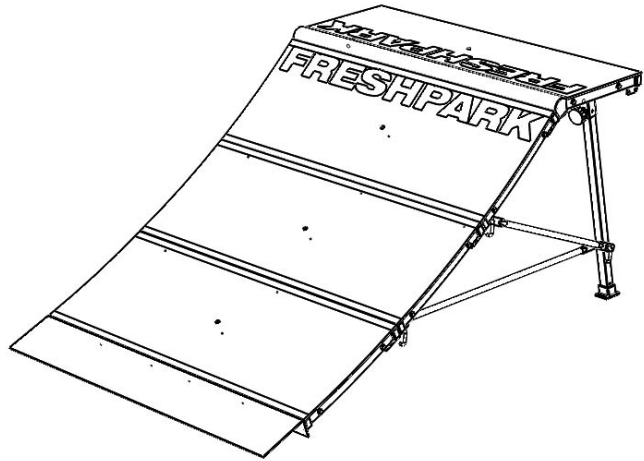
Bolt the ramps together using the big J-bolts on the sides of the ramps with tubes

Place a big washer on a J-bolt and slide it through both tubes and use a wing nut on the other side to tighten the ramps together



Folding **FRESHPARK** Ramps

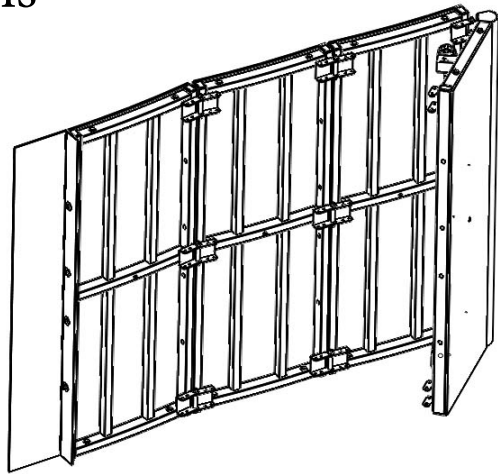
Step 1:
Lay the ramp onto its side (team
of 2 recommended)



Folding **FRESHPARK** Ramps

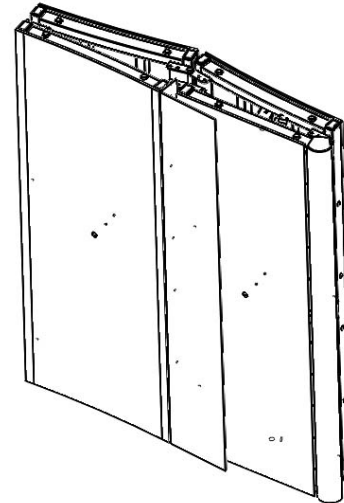
Step 2:

Remove all support bars and legs and carefully fold the panels



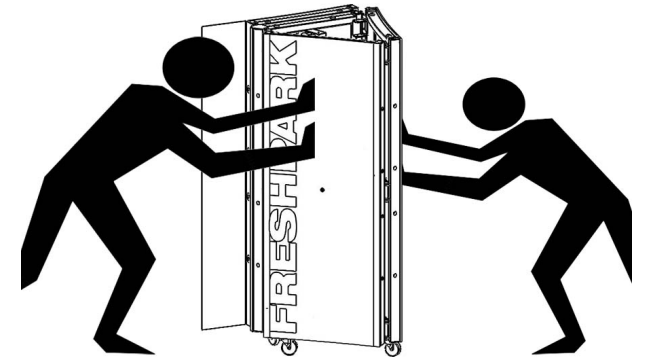
Step 3:

Fold into a desired configuration for easy storage



Warning

When transporting, never carry or push the ramp by yourself



Caution: To reduce the risk of injuries to hands and fingers, never insert your hands or fingers in between the panels or any folding joints.