

# BTR

## BIGTOOLRACK®

Built to Haul it All™

### INSTRUCTION MANUAL

IMPORTANT | PLEASE READ

If you have questions or would like to add accessories to your BIGTOOLRACK® email us at

[info@bigtoolrack.com](mailto:info@bigtoolrack.com)

or visit our website

[www.bigtoolrack.com](http://www.bigtoolrack.com)



[WWW.BIGTOOLRACK.COM](http://WWW.BIGTOOLRACK.COM)

# BTR

## BIGTOOLRACK®

Built to Haul it All™

## *Welcome To The Family!*

I want to personally thank you for the purchase of your

### **New BIGTOOLRACK® Ultimate Rack!**

If you can, please send me pictures, or even better, a short video that we can share of you on your property using your BIGTOOLRACK® with a short review.

This really helps us and goes a long way towards helping us share with others just how much this system has benefited our customers. I would greatly appreciate it.

You can email them directly to me

**tim@bigtoolrack.com - OR - Text them to 203-910-5807**

Lastly if you have not done so already I welcome you to join our BIGTOOLRACK® Facebook Community page, where customers can share how they are using their BIGTOOLRACK®. It's a very friendly group of great people just like you who love working with their tractors on their land.

Have a great season!

All the best!

*Timothy Descoteaux*

*President & Founder*





## *The Story Behind*

**BTR**  
**BIGTOOLRACK**  
Built to Haul it All™

Hello! My name is Tim Descoteaux from Morris Connecticut. Let me begin by saying I was not looking to invent something or start a new company, it just happened based on my needs. I have always had a passion for tractors, farm, and landscaping equipment. I have owned many tractors and different types of equipment throughout the years. I started BigToolRack to get more out of my compact tractor.

I had just purchased a John Deere 2520 tractor, I soon realized that the tractor was very limited due to the fact that there was virtually no cargo space. I literally didn't even have a place to put my gloves or anything else without throwing them on the floor or trying to hold it in my hands and still drive this tractor. I kept trying to think of a way to securely store everything and take it with me on my tractor so I didn't have to keep running back and forth to my barn. I remember I was doing some spot seeding in my yard, I was filling my bucket with topsoil and moving it, spreading it in different areas of my yard, each time I did a new area I was getting frustrated because all of my tools were at the last location that I repaired, I needed to have my rake with me, grass seed, fertilizer and straw. I KEPT THINKING HOW COULD I DO THIS AND STILL HAVE THE USE OF MY BUCKET...

Well my determination and idea about a Yard Tool Rack became a reality

After spending a lot of time thinking about this, I built a mock-up rack and attached it to my tractor. I spent most of the summer working with my son and daughter on our property using this rack to carry all of our yard tools. I showed them how it worked and what it could do for us. I could still use the loader for moving topsoil and at the same time have all of my tools attached to my new yard tool rack, I found that I never wanted to take the yard tool rack off my tractor. I could even tow my utility trailer or log splitter with the rack attached to my compact tractor. I could split wood and load it right into the rack from my splitter. I was loving it! Now I had this great tractor and basically a little pickup truck attached to it now but it was even better since I had a place to securely attach each one of my tools out of the way of the cargo area.

I remember driving around my property with this yard tool rack, and from time to time I would stop and ask my wife how she liked my BigToolRack, and she would just smile and laugh at me. Little did I know I was on to something... I did find that this rack did not secure the tools as well as I would have liked, and it did not have all of the features I wanted so I knew I needed to make it better. I then brought this concept to a few of my close friends. Two of them are now investors in my idea. We hired a top-notch design team and worked with them for several months to refine what I call, BigToolRack® The Ultimate Attachment.

BigToolRack is designed to work with a compact tractor and sub-compact tractor with many unique features, it has a large cargo area, many universal tool holders for rakes, shovels, axes, a chainsaw holder, long lumber/fence post carrier, weed trimmer carrier, garden hose/extension cord carrier, it also has a counterweight option that allows you to hang suitcase weight on the rack to give you the additional ballast you need when moving heavy loads with your loader, as well as a trailer hitch feature and a click on wheel system that converts your rack into a roll-away storage system to neatly store your tools in your garage or barn when not in use. The real beauty is you can outfit your rack the way you want it to fit your needs. My system easily attaches to your tractors 3pt hitch and still gives you the ability to tow a trailer once it's attached to your tractor. This rack has so many uses all year long! I spent a lot of time developing BigToolRack® to make your life easier and more productive.

No more running back and forth to the garage or barn for the tools you need to do the job. I think you will agree that the system sells itself. The Bigtoolrack converts your tractor into a UTV and so much more! It just makes sense...

***That's our BIGTOOLRACK story!***

## TOOLS REQUIRED

- (2) 10mm Wrenches
- (2) 13mm Wrenches
- (2) Large Adjustable Wrenches

- 1** Remove straps and crate lid. Set **(2) RIB FRAMES** aside.



- 2** Remove **BOX 1 (small)** and **BOX 2 (larger)**. Check box contents with sheets provided on pages 9-11.



- 3** Remove remaining items from rack bed, remove plastic and set aside:

**(1) FRAME**

**(4) WHEEL ASSEMBLIES**

**(1) CROSS BRACE BEAM**



- 4** Set **FRAME** on saw horses if possible. You will need access to the underside of frame.



**5**

Install **TOP LINK RISER** including:

- (1) CAT 1 TOP LINK PIN WITH CLIP**
- (1) BENT HITCH PIN WITH CLIP**

**\*IMPORTANT: TOP LINK RISER** must be installed with angled feature toward rear of frame (see picture)



**6**

Install **CWB (COUNTER WEIGHT BRACKET)** including:

- (2) 12MM X 110MM LONG HEX BOLTS**
- (2) 12MM LOCK NUTS**
- (2) PLAIN WASHERS**

Tighten bolts now.

*Note: there are 3 mounting holes on each side for the CWB, in most cases we recommend you use the two bottom holes to allow you the most room for your suitcase weights if you plan on using a quick hitch with your BIGTOOLRACK*



**7**

Install **(2) CAT 1 DRAW PINS WITH CLIPS** through holes in frame lift arms. Tighten securely.



*Note: If you have a quick hitch you need to add the bushing kit shown here, sold separately.*

**\*Attach frame assembly to tractor's 3-point hitch if possible. Then continue to assemble your ULTIMATE RACK at a convenient height for you**

**8**

With help, lift **BED** from box and set on **FRAME** with tailgate facing **AWAY** from **TOP LINK RISER**.

Remove **RUBBER MAT** and set aside.

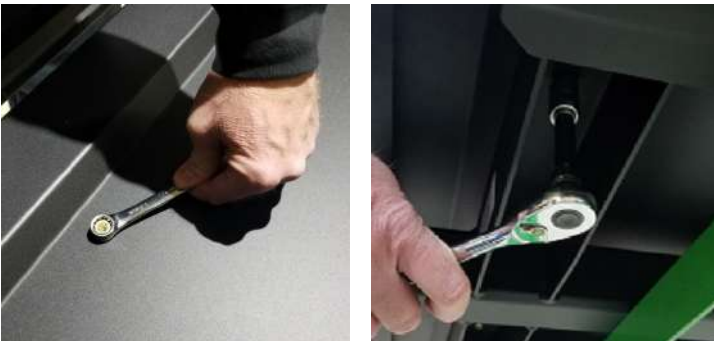
Align **(4) HOLES IN BED FLOOR** with **(4) HOLES IN FRAME**.



**9**

Insert **(4) 8MM X 20MM LONG HEX BOLTS** through **(4) HOLES IN FRAME**.

Secure **BOLTS** with **PLAIN WASHERS** and **HEX NUTS** from the bottom using a 13mm wrench on the **BOLT**, and a 13mm socket and ratchet with an extension on the **HEX NUTS**.



**10**

Replace **RUBBER MAT**.



**11**

Carefully install **RIB FRAMES**. No hardware required at this point. Both **RIB FRAMES** are identical. Angled feature toward the **TAIL GATE**.

*Note: Use caution when guiding **RIB FRAMES** into **BED OPENINGS**.*



**FROM THIS POINT FORWARD**

*Do not tighten fasteners until later, per instructions*

**12**

Install **CROSS BRACE BRACKETS** using:  
**(2) 8MM X 50MM LONG HEX BOLTS**  
**(2) 8MM HEX NUTS**  
**(2) PLAIN WASHERS**

*See pictures for placement (left & right).*



**13**

Install **CROSS BRACE BEAM** into **CROSS BRACE BRACKET** using:

**(2) 8MM X 50MM LONG HEX BOLTS**  
**(2) 8MM HEX NUTS**  
**(2) PLAIN WASHERS**



**14**

Locate **CABLE ENDS** with **CABLE PLATES** already attached (1 left & 1 right) using:

- (2) **8MM X 55MM LONG HEX BOLTS**
- (2) **8MM HEX NUTS**
- (2) **PLAIN WASHERS**

*Note: See orientation of the tab for each side. See pictures for proper placement.*



**15**

Install (6) **REMAINING 8MM X 50MM HEX BOLTS** to secure **RIB FRAMES** to **BED**.

*Note: Tighten to finger tight.*

**16**

Install **LEG ASSEMBLIES** using:

- (4) **LEG ASSEMBLIES**
- (4) **SQUARE WIRE LOCK PINS**



### **IMPORTANT**

*Always raise legs all the way up when in use to avoid contact with the ground*

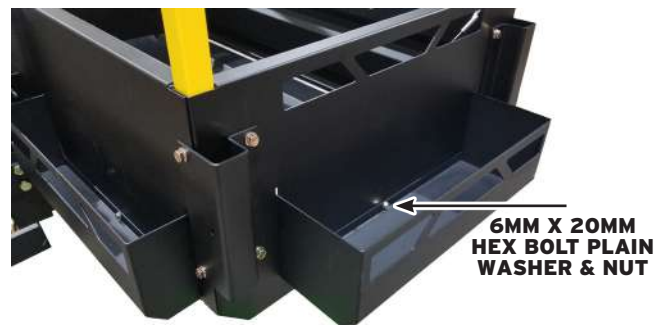
**17**

Tighten all loose **8MM HARDWARE** using 13mm wrench and socket/ratchet.

**18**

Install **LARGE SIDE BINS** on sides of **BED** using:

- (1) **6MM X 20MM LONG HEX BOLT (PER BIN)**
- (1) **6MM HEX NUT (PER BIN)**
- (1) **PLAIN WASHER (PER BIN)**



**19**

Install **SMALL TOOL BINS** on rear of **BED** using:

- (1) **6MM X 20MM LONG HEX BOLT (PER BIN)**
- (1) **6MM HEX NUT (PER BIN)**
- (1) **PLAIN WASHER (PER BIN)**



**20**

Install (2) **RING TOOL BRACKETS** using:

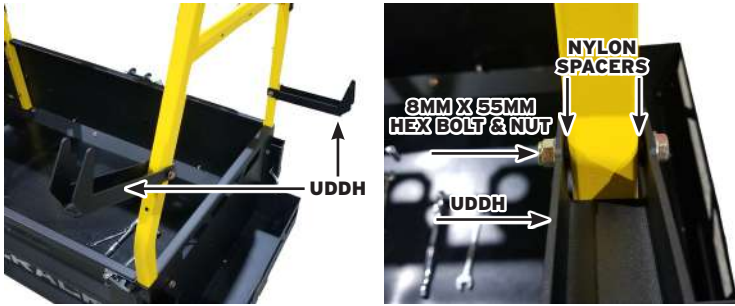
- (2) **8MM X 50MM HEX BOLTS**
- (2) **8MM HEX NUTS**
- (2) **PLAIN WASHERS**



**21**

Install **(4) UDDH** using:

- (1) 8MM X 55MM HEX BOLT (PER UDDH)**
- (1) 8MM HEX NUT (PER UDDH)**
- (2) NYLON SPACERS (PER UDDH)**
- (2) PLAIN WASHERS (PER UDDH)**



**22**

Install **(2) GTC** with **(2) RUBBER STRAPS** each using:

- (1) 8MM X 100MM CARRIAGE BOLT (PER GTC)**
- (1) 8MM HEX NUT (PER GTC)**
- (1) PLAIN WASHER (PER GTC)**



**23**

Install **(3) UTH** with **(1) RUBBER STRAP** each using:

- (1) 8MM X 80MM CARRIAGE BOLT (PER UTH)**
- (1) 8MM HEX NUT (PER UTH)**
- (1) PLAIN WASHER (PER UTH)**

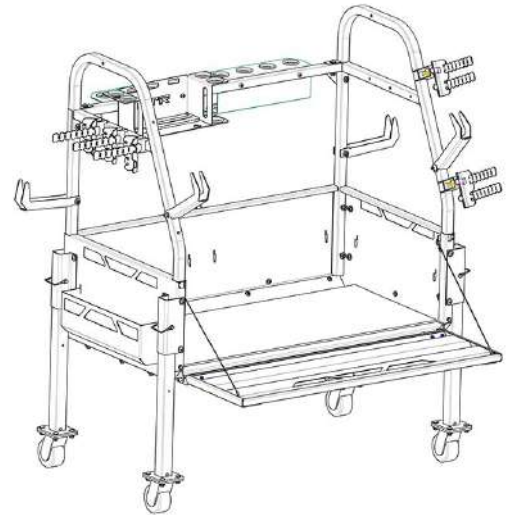


**24**

Carefully inspect your Ultimate Tool Rack and securely tighten any bolts that have not already been tightened.

## FINAL ASSEMBLY

May vary depending on package



Note: you can install the Tool Holders in the locations that work best for you

***YOU ARE DONE!***  
***Enjoy Your***  
***ULTIMATE TOOL RACK***



# Check Out Our Extensive Line Of **ACCESSORIES**



Scan the QR code to visit the accessories page on our website

Thank You For Your Business! Take 10% Off Your Next Order Using Code **ULTM1**



NEW BTR-5N1 Tool Holder



BTR-3PT Quick Hitch  
\*For Category 1 three point hitch



NEW BTR-LED Rechargeable Site Lamp with STRONG Magnetic Base, 3.7V Li-Ion Battery 9W



BTR-LTE Light kit



NEW BTR-DB Bigtoolrack Drawbar  
The Perfect solution to connect the YardRack to your Compact and Sub-Compact Tractor using your Category 1 3 point hitch.



Bigtoolrack Quick Hitch Bushing Kit  
Includes Top Bushing Cat 1



BTR-GB GearBag Ties to RopsRackPack, Ultimate Rack and YardRack



BTR-SPN The Best Deluxe Steering Wheel Knob Spinner on the market!



BTR-QF 2 PACK! NEW QuickFILL® 18oz portable fuel bottle Attaches right to our RopsRackPack!



LogOX 3-in-1 Forestry MultiTool: LogOX Hauler, Handle extension, t-bar attachment



4 Hole Tool Holder - For Long Handle Tools



Universal Drop Down Hook



BTR-UTH-1 Universal Tool Holder with 1 rubber Strap



Chainsaw Holder A Must Have! You can add multiple to your Ultimate Rack



LogOX Forester Package: LogOX 3-in-1 Forestry MultiTool, Hauler Holster, PickOX, CarryOX Bag



\*NEW\* Chainsaw Tooth Protector/Guard



BTR-SP40-550 Bigtoolrack Spot Sprayer, 40 Gallons



BTR-SB-7-BOOM The perfect addition to your sprayer



BTR-RS Custom Rubber Straps for our tool holders (Set of 4)



RopsRackPack® Extender Kit

\*Prices Subject To Change

**WWW.BIGTOOLRACK.COM**



**BOX 1 (SMALL)**



**TOP LINK RISER**



**CAT 1 TOP LINK PIN**



**DRAW PINS (2)**



**BENT HITCH PIN**



**8MM X 20MM  
HEX  
BOLTS,  
PLAIN  
WASHERS  
& NUTS (4)**



**COUNTER WEIGHT BRACKET (CWB) WITH 12MM X 110MM HEX BOLTS, PLAIN WASHERS & NUTS (2)**

**BOX 2 (LARGE)**



**LARGE SIDE BINS (2)  
SMALL TOOL BINS (2)  
WITH 6MM X 20MM HEX BOLTS,  
PLAIN WASHERS & NUTS (4)**



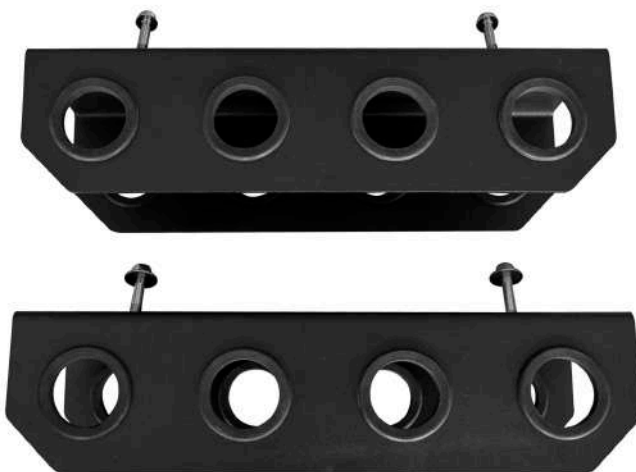
**8MM X 55MM HEX BOLTS,  
PLAIN WASHERS & NUTS (2)  
FOR CABLE PLATES**



**8MM X 50MM HEX BOLTS, PLAIN  
WASHERS & NUTS (10)**



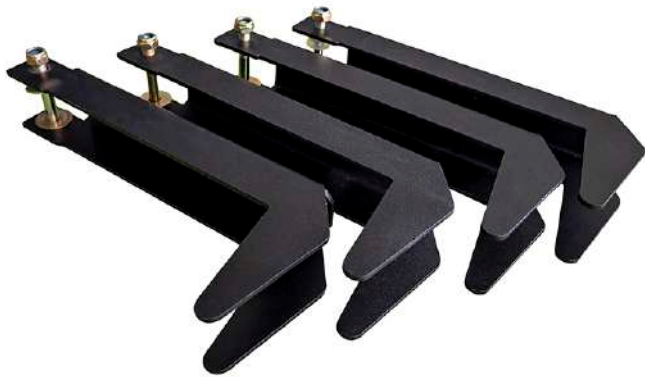
**SQUARE WIRE LOCK PINS (4)**



**FOUR HOLE TOOL HOLDER (2)  
WITH 8MM X 50MM HEX BOLTS,  
PLAIN WASHERS & NUTS (4)**



**CROSS BRACE BRACKETS (2)**



**UNIVERSAL DROP DOWN HOLDER (UDDH) (4)  
WITH 8MM X 55MM HEX BOLTS & NUTS (4),  
PLAIN WASHERS (8) & NYLON SPACERS (8)**



**UNIVERSAL TOOL HOLDER (UTH), STRAPS  
(3) WITH 8MM X 80MM CARRIAGE BOLTS,  
PLAIN WASHERS & NUT (3)**



**GRASS TRIMMER COMBO (GTC, HOLDS  
POLE SAW & TRIMMER) (2), STRAPS (4)  
WITH 8MM X 100MM CARRIAGE BOLTS,  
PLAIN WASHERS & NUTS (2)**



**5N1 TOOL HOLDER  
WITH 8MM X 50MM HEX BOLTS,  
PLAIN WASHERS & NUTS (2)  
AND  
6MM X 20MM HEX BOLTS,  
PLAIN WASHERS & NUTS (2)**

NOTE: THIS IS AN ADD ON ACCESSORY  
IT WILL NOT BE IN YOUR KIT IF YOU  
DID NOT ORDER IT

## WARNING

**⚠ WARNING**

**TO AVOID SERIOUS INJURY OR DEATH:**

1. Exceeding your vehicles load capacity may result in instability.
2. Read and understand the operator's manual before operation.
3. Do not allow passengers on the rack at any time.
4. Ensure tractor is properly ballasted as recommended in the operator's manual.
5. Check tightness of all nuts and bolts regularly.
6. Before dismounting, lower the rack to the ground, set the parking brake, stop the engine and remove the key.
7. If you use suitcase weights please remove all of them from your Bigtoolrack before disconnecting it from your tractor to prevent it from tipping over.

**⚠ WARNING**

**DO NOT EXCEED YOUR VEHICLE'S LOAD CAPACITY.**

Maximum Load Capacity	600 LBS
Maximum Tailgate Capacity	250 LBS
Maximum Tongue Capacity	50 LBS

Patent #5333403 878-140

- ⚠ WARNING:** Please reference your vehicles operators' manual for complete operational details and take the necessary precautions, as with any attachment, to avoid machinery instability issues.
- ⚠ WARNING:** To avoid tip over and stability issues, please operate with consideration of weight and height of the load carried and make sure that heavy loads are carried as low as possible.
- ⚠ WARNING:** To avoid tip over and stability issues, towed packages, must be in line with the tractors tow bar.
- ⚠ WARNING:** To avoid tip over and stability issues, when attaching the tool rack make sure tractor is properly ballasted.

If you have any questions contact your local dealer

## WARRANTY POLICY

The Manufacturer, warrants its **new, unused, Equipment** to be free of defects in **material and workmanship** at time of the delivery to the first retail purchaser according to the Manufacturer Warranty Policy.

### **1) BASIC WARRANTY REPAIR PERIOD AND REMEDIES**

- a) Manufacturer will repair or replace, at its option, without charge for parts or labour, **any defective part** of the equipment for a period of twelve (12) months from delivery to the first retail purchaser.
- b) Any parts that are covered by an Extended Warranty published by Manufacturer, are an exception to the Basic Policy, and are to be warranted as per the details of the Extended Warranty document. The extended warranty policy may change from time to time without warning from Manufacturer.

### **2) EXCEPTIONS TO THIS WARRANTY**

- a) In no event shall the owner be entitled to recover for incidental, special or consequential damages such as, but not limited to; loss of crop, loss of profit or revenue, other commercial losses, inconvenience or cost of rental of replacement equipment.
- b) **Repair, Maintenance, and Service items not related to defects:**
  - i. Loss or damage during shipment (see: Manufacturer Whole goods Shipping Policy)
  - ii. Failure resulting from lack of or improper maintenance.
  - iii. Damage caused by operator abuse, negligence, or improper operation.

iv. Non-defective items replaced due to customer demand unless authorized by the Manufacturer.

v. No reimbursable maintenance items including but not limited to oil, etc.

vi. Any and all costs for repairs or replacement of parts not shown to be defective.

vii. Damage due to accidents.

c) **Replacement Parts** will be warranted for twelve months from the repair date, providing the bill of sale is attached to the warranty claim.

d) The terms of this warranty are subject to Provincial and State Legislation. The Manufacturer reserves the right to make changes in accordance with these Acts at any time without notification or obligation. The stated warranty contained in the Manufacturer Warranty Policy applies in all situations, unless the law provides a greater warranty in the jurisdiction of the retail customer.

e) The Manufacturer reserves the right to continually improve its equipment, and reserves the right to change products or specifications at any time without notice or obligation.

### **3) OWNER'S OBLIGATION**

**It is the responsibility of the owner, at the Owners expense, to transport the equipment to the service shop of an authorized Manufactures Dealer (place of purchase) or alternately to reimburse the dealer for any travel or transportation expense involved in fulfilling this warranty. It is the responsibility of the owner to read, understand and practice the maintenance, safety, and operational guidelines set out in the operators manual.**

# **BIGTOOLRACK®**

## **Built to Haul it All™**

**WWW.BIGTOOLRACK.COM**

SERIAL #

### **LEGAL DISCLAIMER**

BTR LLC. reserves the right to change the stated specifications and technical information without notice and BTR LLC. does not represent or warrant that the information in this publication is completely accurate or current; however BTR LLC. used reasonable efforts to set forth and include accurate and up to date information in this publication. BTR LLC. disclaims all representations and warranties, whether express or implied, including but not limited to warranties of merchantability and fitness for a particular purpose and BTR LLC. shall not be liable for any damages, whether compensatory, direct, indirect, incidental, special, or consequential, arising out of or in connection with use of this publication, or the information therein.





# THERE'S A **BIGTOOLRACK**<sup>®</sup> FOR **EVERYONE**



**THE POSSIBILITIES ARE ENDLESS!**



**WWW.BIGTOOLRACK.COM**