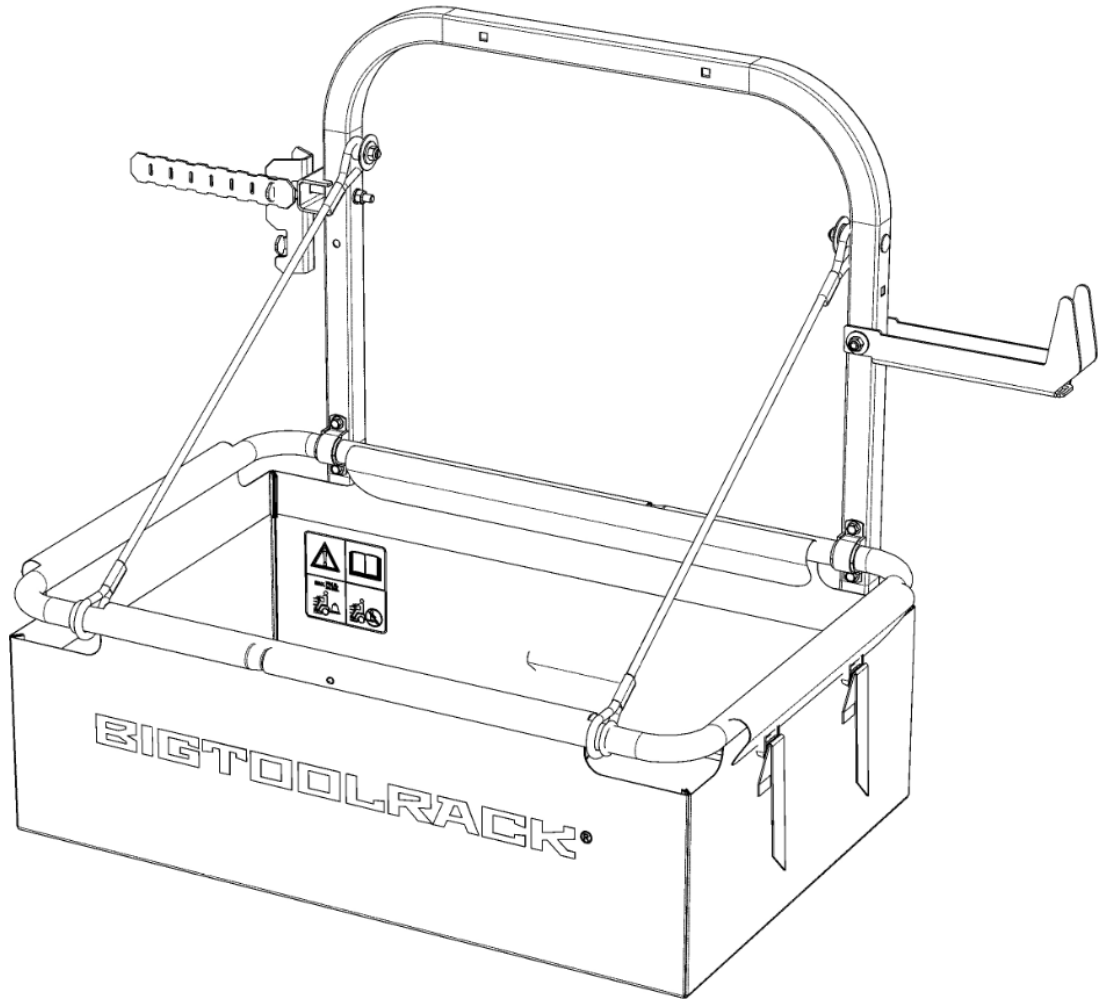


BIGTOOLRACK®

YardRack®



ASSEMBLY INSTRUCTIONS

IMPORTANT: READ AND SAVE THIS MANUAL

BIGTOOLRACK®

MANUAL

READ VERY IMPORTANT

We have done the work for you!

Your New YardRack has been fully assembled.

If you have questions or want to add more accessories to your YardRack please visit us at
<https://www.bigtoolrack.com>


If you have any missing or damaged parts contact us right away via email at
info@bigtoolrack.com.


Please refer to Parts Breakdown on Page 12 for our part designations

**Thank you for your business! We know you
are going to love your New YardRack!**

WARNING



 **WARNING:** Please reference your vehicles operators' manual for complete operational details and take the necessary precautions, as with any attachment, to avoid machinery instability issues.

 **WARNING:** To avoid tip over and stability issues, please operate with consideration of weight and height of the load carried and make sure that heavy loads are carried as low as possible.

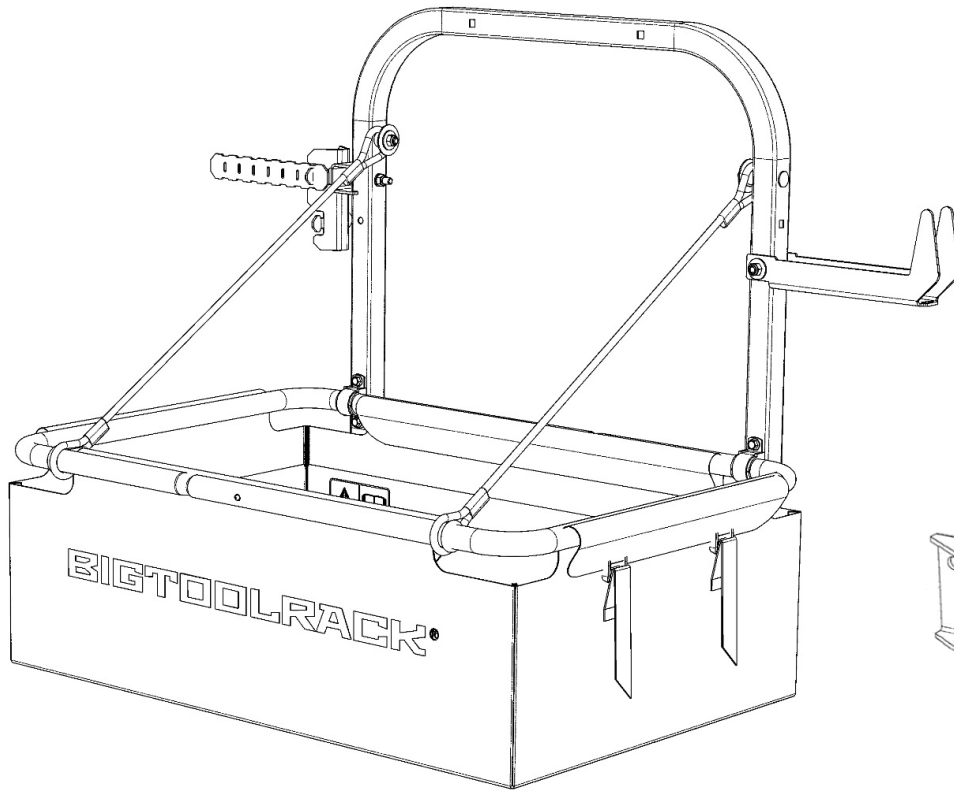
Contents

Unboxing.....	6
Tools Needed.....	7
Installation.....	8-10
Final Assembly.....	11
Parts Breakdown.....	12
Warranty Policy.....	13
Legal Disclaimer	14

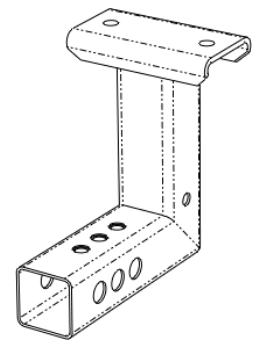
Unboxing

Your new YardRack comes in the box fully assembled.

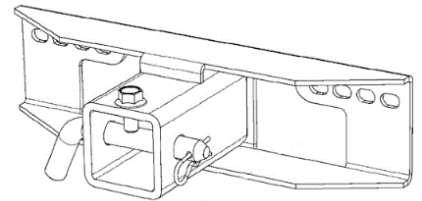
- 1x YardRack Basket Assembly (folded)
- 1x Hitch Assembly
- 1x L-Tube
- 2x M8x25mm Bolt, Washer & Nut set
- 2x Square Washer
- 2x M10x60mm High Strength Hex Flange Bolt
- 2x M10 Locking Nut
- 1x #9 or 11/32 Drill Bit (size depending on your location, both sizes will work)



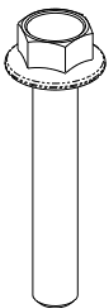
YardRack Basket Assembly (x1)



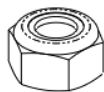
L-Tube (x1)



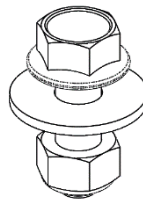
Hitch Assembly (x1)



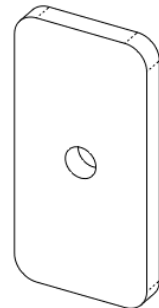
M10x60mm High Strength Hex Flange Bolt (x2)



M10 Locking Nut (x2)



M8x25mm Bolt, Washer & Nut set (x2)



Square Washer (x2)

Tools Needed

- 1x 12 mm socket and/or wrench
- 1x 13 mm socket and/or wrench
- 1x 14 mm socket and/or wrench
- 1x 17 mm socket and/or wrench



Installation

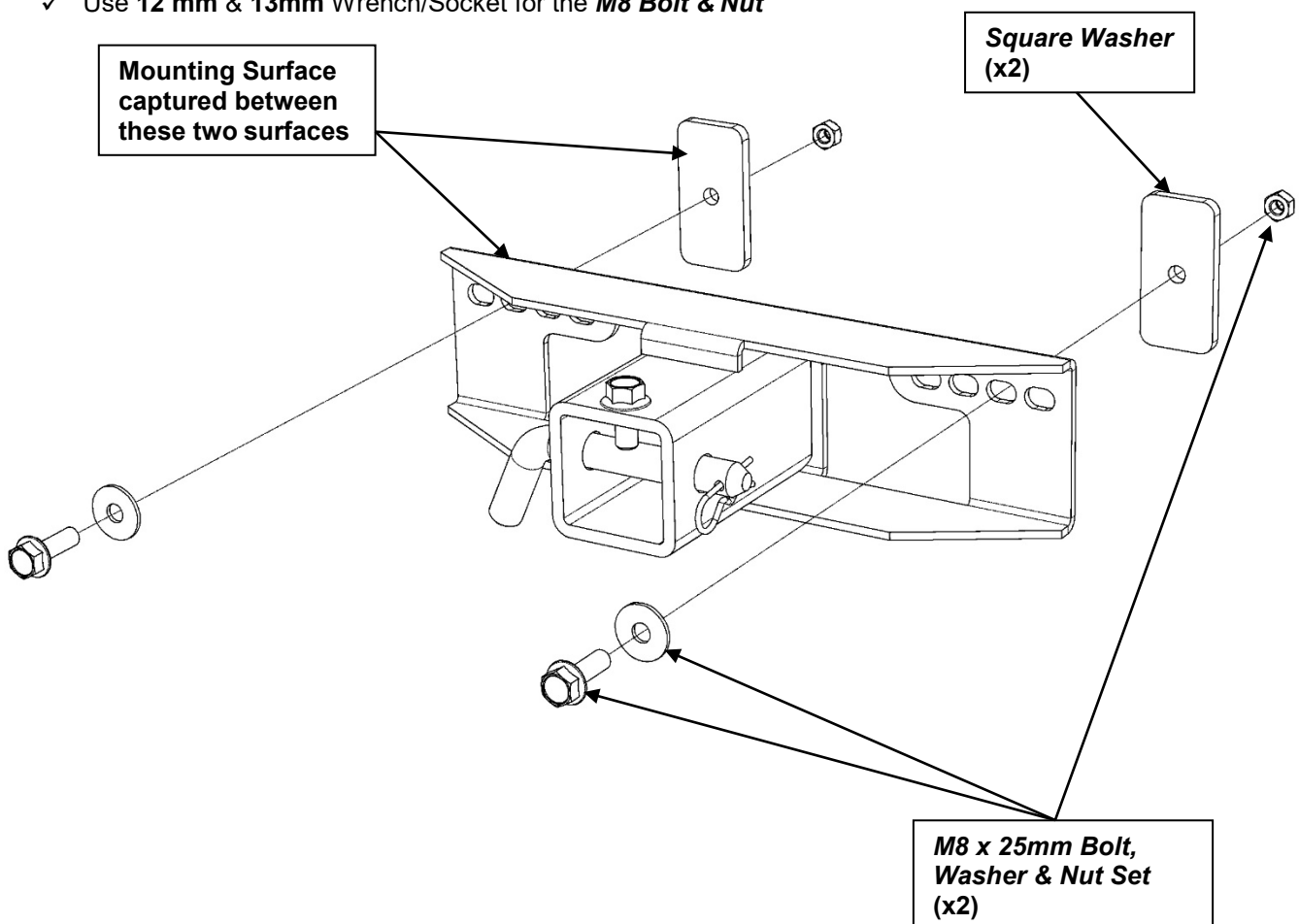
Step 1 - Attach the Hitch Assembly to your tractor.

- Pick from the four sets of slots that best match the pre-drilled holes on your tractor's mounting surface, ideally the hitch assembly should be centered. (slightly off center is ok and may be necessary for some models)
- Attach the Hitch Assembly to your tractor's mounting surface with the **Square Washers** and the **M8 x 25 bolt, washer & nut set** as shown. The mounting surface (the tractor's back plate) should be captured between the back surface of the hitch assembly and the two **Square Washers**.
- If there are no pre-drilled holes, we've included a 11/32" drill in the box. **Please be sure to level the hitch assembly before drilling holes.** Ideal height of the hitch assembly should be 10-15 inches high from the ground (actual height may vary depending on your tractor model)

*****IMPORTANT NOTE*** PLEASE PICK HOLE LOCATIONS THAT LEAVE ENOUGH ROOM ON THE BACK SIDE OF MOUNTING PLATE TO PREVENT DAMAGE TO OTHER TRACTOR PARTS WHILE DRILLING THE MOUNTING HOLES. BE SURE YOU HAVE CLEARANCE FOR THE HARDWARE THAT'S ON THE BACK *****

Attach the hitch assembly as shown below

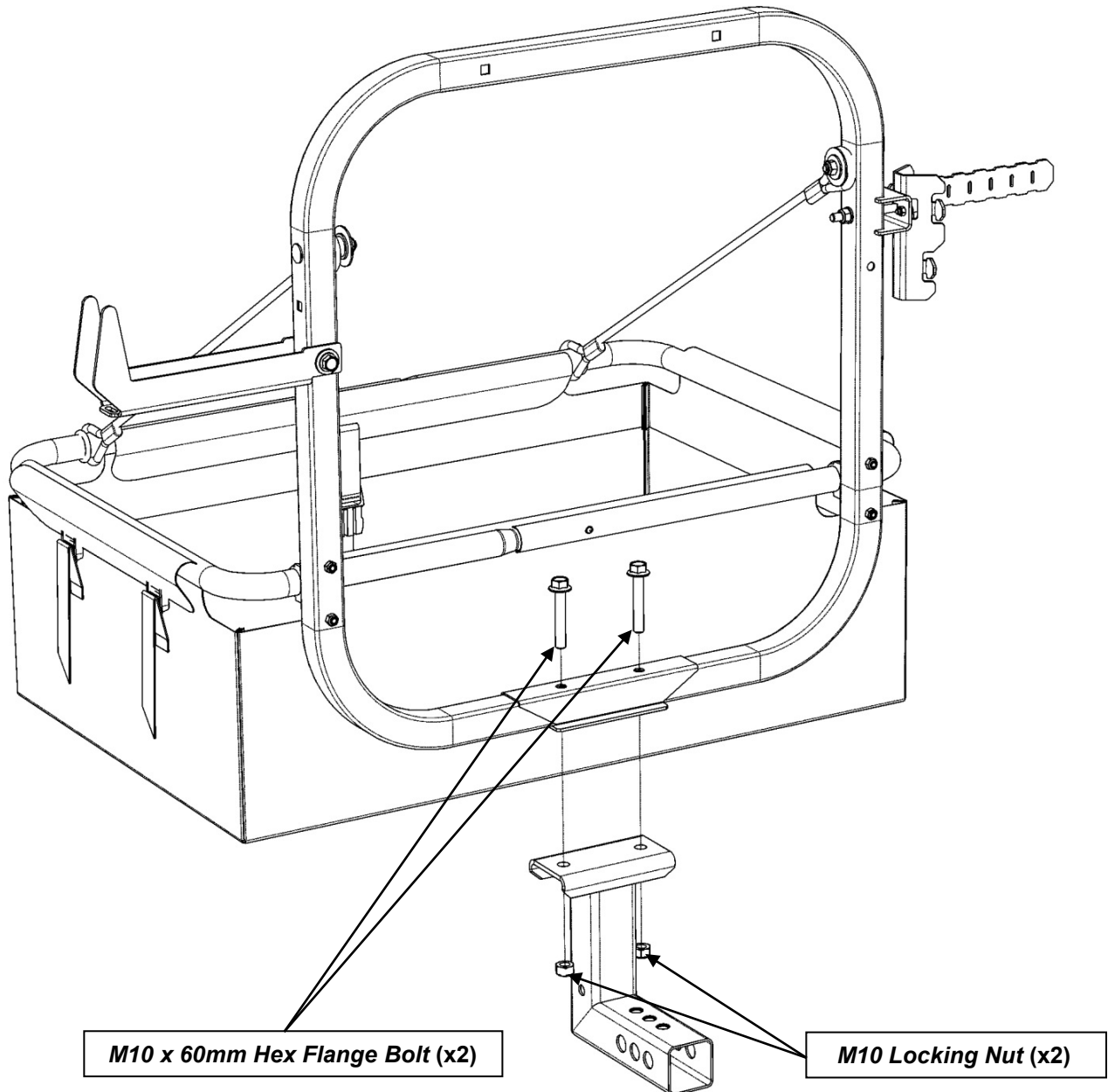
- ✓ Use 12 mm & 13mm Wrench/Socket for the **M8 Bolt & Nut**



Step 2 - Attach Basket Assembly to L-Tube

Attach the Basket Assembly to the L-Tube as shown in the image using two **M10 x 60mm Hex Flange Bolt** and two **M10 Locking Nuts** as shown

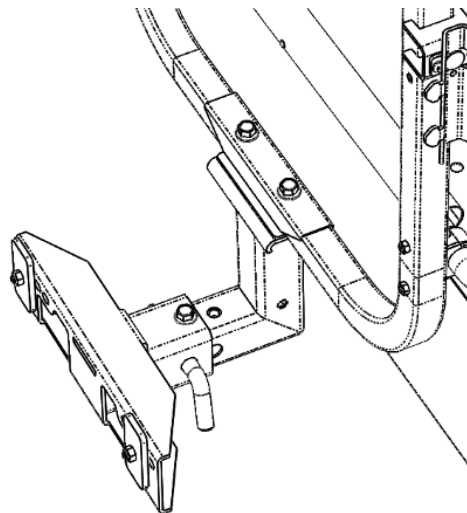
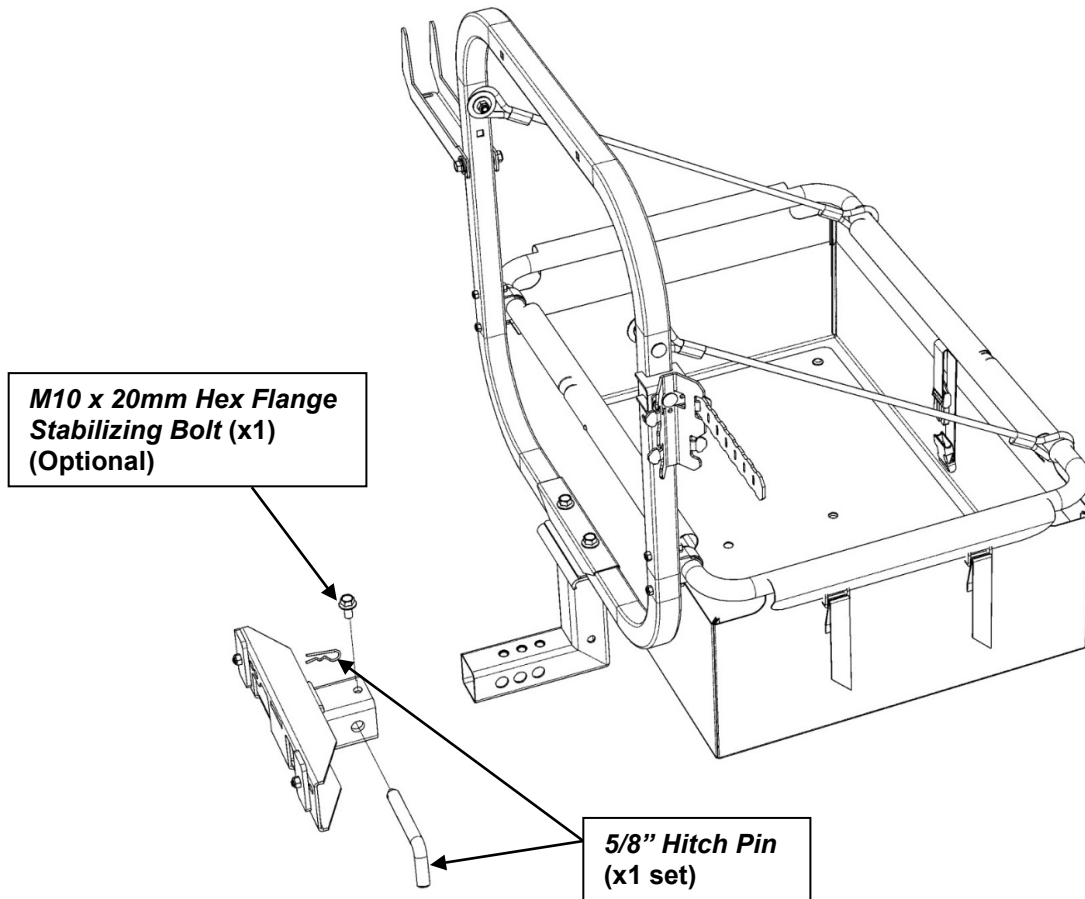
- ✓ Use **14mm Wrench/Socket** for the **M10 x 60mm Hex Flange Bolt**
- ✓ Use **17mm Wrench/Socket** for the **M10 Locking Nut**



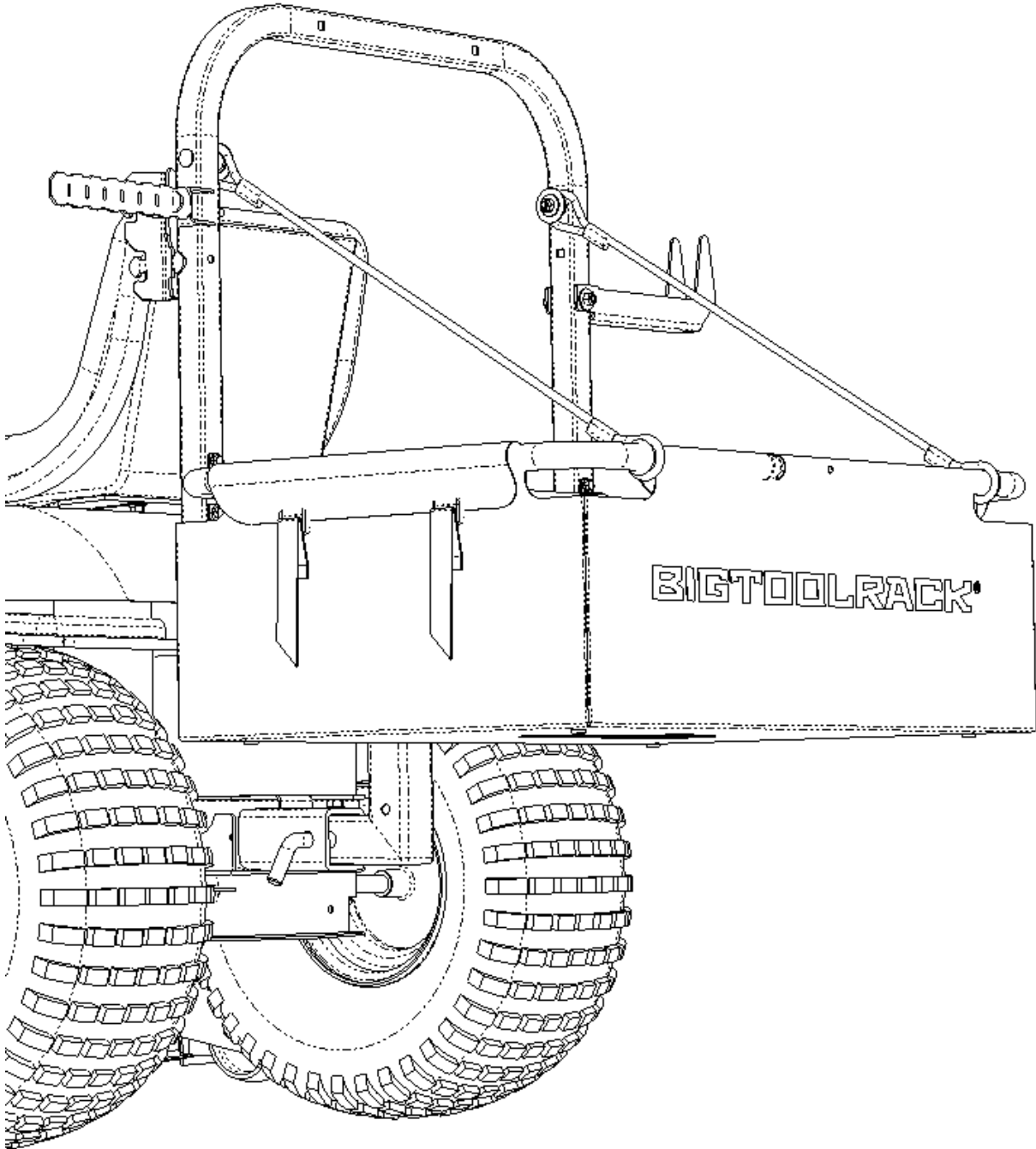
Step 3 - Attach Basket Assembly with L-Tube to the Hitch Assembly

Attach assembled YardRack Basket and L-Tube assembly to the hitch.
Insert the 5/8 Hitch Pin to connect the L-Tube to the Hitch and install the clip

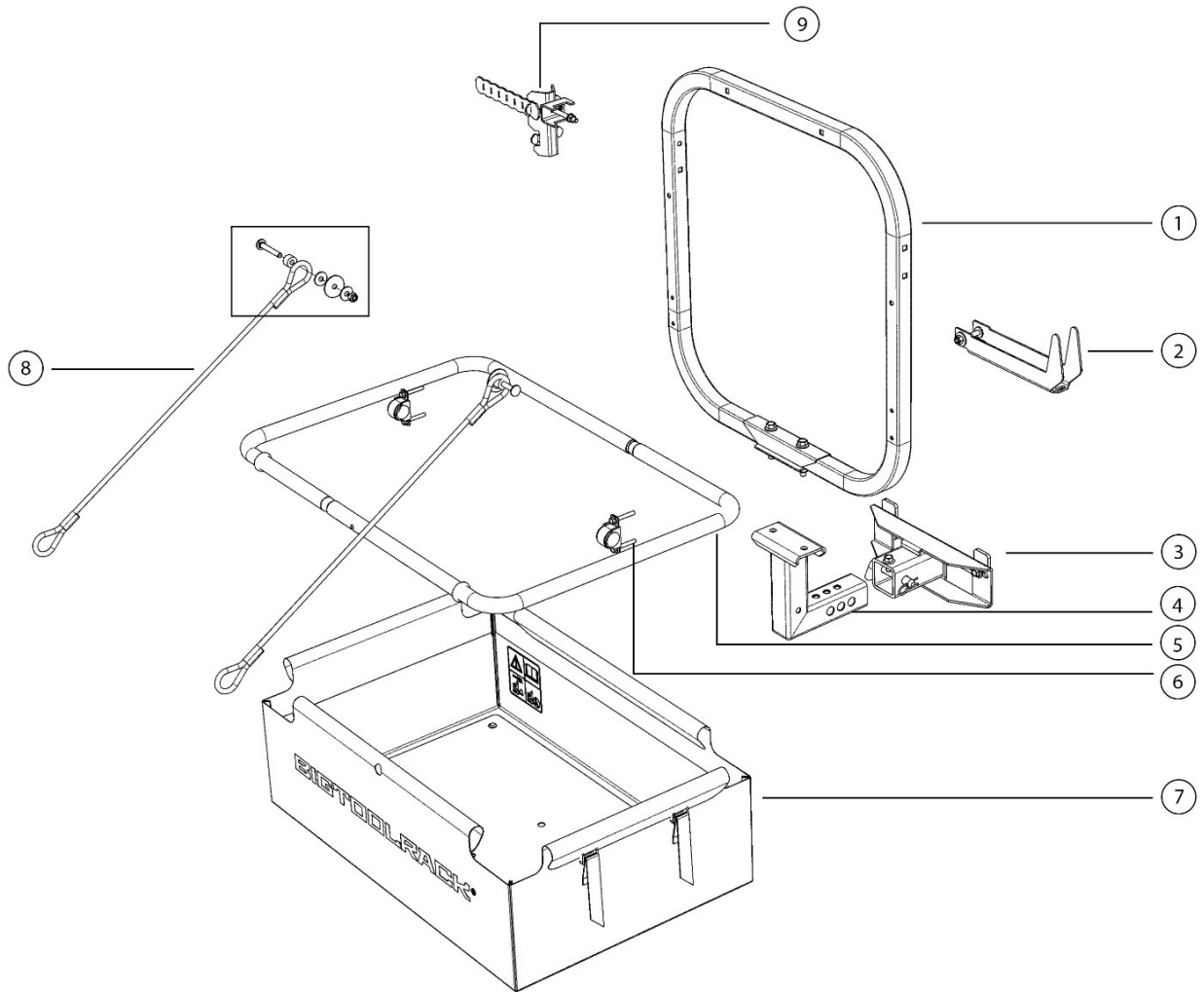
- ✓ Use 14mm Wrench/Socket for the **M10 x 20mm Hex Flange Stabilizing Bolt**(Optional)



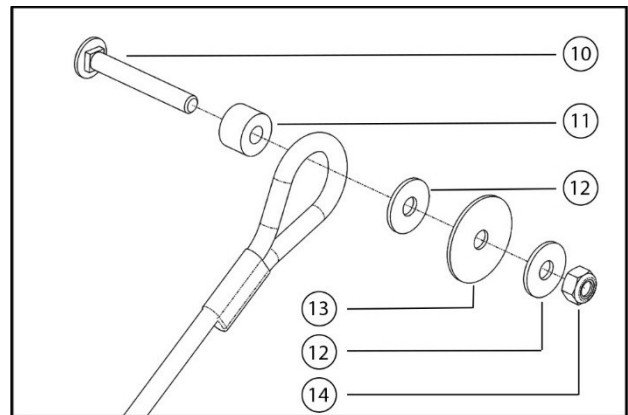
Final Assembly



Parts Breakdown



- | | |
|---|----|
| 1. BTR-409-02 WELDMENT, FRAME | x1 |
| 2. BTR-UDDH
BTR UNIVERSAL DROP DOWN HOLDER | x1 |
| 3. BTR-HT1 ASSY, HITCH1 | x1 |
| 4. BTR-408-01 L-TUBE | x1 |
| 5. BTR-410-02 BAG SUPPORT | x2 |
| 6. BHC-031 CLAMP, VIBRATION DAMPENING | x2 |
| 7. BTR-420 BTR YARDRACK BASKET ASSEMBLY | x1 |
| 8. BTR-412 LANYARD, WIRE ROPE | x2 |
| 9. BTR-UTH-1 BTR UNIVERSAL TOOL HOLDER | x1 |
| 10. BHC-001-60 M8X60 CARRIAGE BOLT, CLASS 8 | x1 |
| 11. BHC-029 SPACER, 3/8 ID, 3/4 OD, 1/2 LONG | x1 |
| 12. BHC-006-24 OVERSIZED M8 WASHER | x2 |
| 13. BTR-443 WASHER, RUBBER | x1 |
| 14. BHC-004 NYLON LOCK NUT, M8 | x1 |



WARRANTY POLICY

The Manufacturer, warrants its **new**, unused, Equipment to be free of defects in material and workmanship at time of the delivery to the first retail purchaser according to the Manufacturer Warranty Policy.

1) BASIC WARRANTY REPAIR PERIOD AND REMEDIES

a) Manufacturer will repair or replace, at its option, without charge for parts or labour, **any defective part** of the equipment for a period of twelve (12) months from delivery to the first retail purchaser.

b) Any parts that are covered by an Extended Warranty published by Manufacturer, are an exception to the Basic Policy, and are to be warranted as per the details of the Extended Warranty document. The extended warranty policy may change from time to time without warning from Manufacturer.

2) EXCEPTIONS TO THIS WARRANTY

a) In no event shall the owner be entitled to recover for incidental, special or consequential damages such as, but not limited to; loss of crop, loss of profit or revenue, other commercial losses, inconvenience or cost of rental of replacement equipment.

b) Repair, Maintenance, and Service items not related to defects:

i. Loss or damage during shipment (see: Manufacturer Whole goods Shipping Policy)

ii. Failure resulting from lack of or improper maintenance.

iii. Damage caused by operator abuse, negligence, or improper operation.

iv. Non-defective items replaced due to customer demand unless authorized by the Manufacturer.

v. No reimbursable maintenance items including but not limited to oil, etc.

vi. Any and all costs for repairs or replacement of parts not shown to be defective.

Damage due to accidents.

c) **Replacement Parts** will be warranted for twelve months from the repair date, providing the bill of sale is attached to the warranty claim.

d) The terms of this warranty are subject to Provincial and State Legislation. The Manufacturer reserves the right to make changes in accordance with these Acts at any time without notification or obligation. The stated warranty contained in the Manufacturer Warranty Policy applies in all situations, unless the law provides a greater warranty in the jurisdiction of the retail customer.

e) The Manufacturer reserves the right to continually improve its equipment, and reserves the right to change products or specifications at any time without notice or obligation.

3) OWNER'S OBLIGATION

It is the responsibility of the owner, at the owner's expense, to ship the equipment to the service shop of an authorized Manufacturer's Dealer (place of purchase) or alternately to reimburse the dealer for any travel or transportation expense involved in fulfilling this warranty. It is the responsibility of the owner to read, understand and practice the maintenance, safety, and operational guidelines set out in the operator's manual.

LEGAL DISCLAIMER

BTR LLC. reserves the right to change the stated specifications and technical information without notice and BTR LLC. does not represent or warrant that the information in this publication is completely accurate or current; however BTR LLC. used reasonable efforts to set forth and include accurate and up to date information in this publication. BTR LLC. disclaims all representations and warranties, whether express or implied, including but not limited to warranties of merchantability and fitness for a particular purpose and BTR LLC. shall not be liable for any damages, whether compensatory, direct, indirect, incidental, special, or consequential, arising out of or in connection with the use of this publication, or in the information therein.