

4600™ SP Airless Product Manual



1700 Jasper St., Unit F, Aurora, CO 80011 T 800.624.6706 F 303.364.7796 • Newstripe.com

4600™ SP Manual / 3031.0517

4600™ Self-Propelled Airless Sprayer

TABLE OF CONTENTS

Precautionary Warning	Page 1
Assembly.....	Page 2
Operation	Page 3
Spray Tip Cleaning	Page 4
Cleaning Procedure.....	Page 4
Cleaning Procedure (Extended Periods)	Page 5
Cleaning Procedure (Winter Storage).....	Page 5
Maintenance.....	Page 5
Parts List	Page 6
Engine Lubricant & Parts	Page 6
Airless Pump Parts	Page 7
Airless Pump Detail.....	Page 7
Troubleshooting Guide	Page 8
Warranty.....	Page 9

Thank you! For your purchase of the Newstripe 4600™ Self-Propelled Airless Sprayer.

Please read over the instructions and make sure you understand operating procedures before using the unit. Please check the serial number on your unit. This Manual is for units with serial number 1016773 and above only. For units with serial numbers below 1016773, please contact Newstripe for the correct manual



1700 Jasper St., Unit F, Aurora, CO 80011 T 800.624.6706 F 303.364.7796 • Newstripe.com

4600™ SP Manual / 3031.0517

4600™ Self-Propelled Airless Sprayer

ALWAYS wear safety goggles or protective eye-wear when operating the unit!



PRECAUTIONARY WARNING!

- Please read and understand all operation instructions as detailed in this manual. Failure to follow specified instructions may result in equipment damage or serious injury to personnel up to and including death!
- **TO BE USED ONLY WITH WATER AND OIL BASED PAINTS.**
- **Skin Injection Hazard:** High Pressure spray can inject toxins into blood stream. If injection occurs, seek emergency medical treatment.
- **ALWAYS** release pressure in the system before changing or cleaning the spray tip.
-
- **ALWAYS** use the nozzle tip guard.
- **ALWAYS** engage the **Trigger Lock on the spray gun** before removing the spray gun for hand operation.
- **NEVER** place your hands or any body parts in front of the spray gun.
- **NEVER** point the spray gun at or spray other persons or animals.
- **NEVER** clean the spray tip while it is attached to the spray gun. Remove the spray tip from the gun to clean the tip guard.
- **NEVER** remove spray tip while cleaning the pump.
- **NEVER** use pliers to tighten or loosen high pressure fittings on Outlet side of pump.
- Use only in well-ventilated area.
- Always consult your Facility Safety and/or Personnel Department for specified safety protocols prior to operating this equipment.



1700 Jasper St., Unit F, Aurora, CO 80011 T 800.624.6706 F 303.364.7796 • Newstripe.com

4600™ SP Manual / 3031.0517

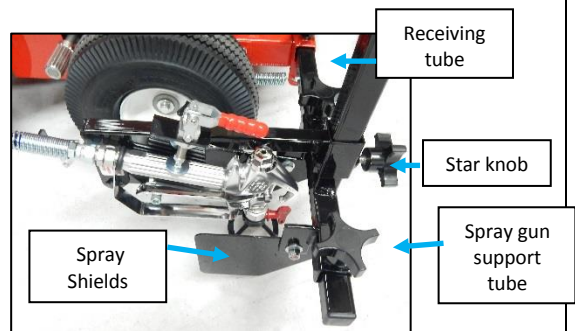
4600™ Self-Propelled Airless Sprayer

ALWAYS wear safety goggles or protective eye-wear when operating the unit!

ASSEMBLY

1. Remove the unit from the crate and open packing cartons. Check for any damage that may have occurred during shipment. Advise factory immediately if you see any damage.
2. Unpack spray gun support tube, spray gun mounting bracket and spray shields.
3. Slide one spray shield onto gun support tube from each end. (Longer part faces upright). Snug star knobs. (Pic 1)
4. Slide tube with shields into receiving tube on front of machine and snug star knobs. (Pic 1)
5. Slide the spray gun mounting bracket onto the upright and hand tighten star knob. (Pic 1)
6. Place the spray gun (without the hose attached) in the holder and secure with the clamp. (Pic 1)
7. Check placement of spray gun in gun holder. Spray gun should be far enough forward so that there is room between the trigger and lifting bar attached to the plate (1/8"-3/16"). This will allow the gun to shut off completely when the trigger is released. (Pic 1)
8. There should also be enough room to push the trigger lock sideways. If the trigger lock will not push, release the gun clamp and slide gun backward until you can push the trigger lock. Re-clamp gun. **NOTE to release trigger lock:** Push the trigger lock in on the right side (outside) of the gun. (Pic 1)
9. Attach one end of the spray hose to the pump outlet with a 3/4" wrench and the other end to the spray gun. You will need two wrenches (3/4" and 9/16" or two adjustable wrenches) to secure the hose on the spray gun as it has a swivel fitting. Make both connections tight. (Pic 2)
10. Always check the oil level in the engine before starting (SAE 10W30).

11. Make sure that the static chain is contacting the ground (Attached to the bottom side of the frame).
12. If unit was shipped with suction hose removed at the pump. (Garden hose type fitting). Depress Inlet Valve Stem to ensure it moves freely. Attach suction hose. Hose fitting may be hand tightened. You may also need to perform this operation any time the pump does not want to prime. (Pic 2)



Pic 1



Pic2



Pic 3



1700 Jasper St., Unit F, Aurora, CO 80011 T 800.624.6706 F 303.364.7796 • Newstripe.com

4600™ SP Manual / 3031.0517

4600™ Self-Propelled Airless Sprayer

ALWAYS wear safety goggles or protective eye-wear when operating the unit!

OPERATION

We recommend practicing with water to learn the controls and machine operation. Then if you are going to use an oil-based paint, you will have to flush out the water with paint thinner (mineral spirits) prior to using the oil-based paint.

1. Turn spray control (black knob) to the Prime/ re-circulating position (arrows in a circle) in line with the arrow on the side of pump housing.
2. Move Pump engaging lever to the "ON" position.
3. The Pressure Control Knob (Gold, knurled knob) should be turned all the way in (Turn clockwise to where it just stops. **Do not over tighten**)
4. You should see liquid start to flow back to the pail in the return hose. Let his run until there are no air bubbles in the return hose. If bubbles do not stop, check tightness of suction hose fitting at pump. See Notes below)
5. Turn Spray Control knob to spray position. (Spray gun symbol in line with arrow on side of pump housing)
6. Activate trigger and paint or water will spray from the gun.
7. Adjust pressure by turning pressure control knob counter clockwise until spray pattern decreases, then increase pressure by turning clockwise just to where you get a good even spray pattern.
8. Adjust spray gun height for proper line width.
9. To move forward, push the operating lever forward until it locks. Speed may be controlled through the engine throttle. To stop, pull the operating lever backward.
10. When finished spraying or if machine will be left unattended for any amount of time, turn Spray Control Knob to Re-circulating Position, turn off engine and pull spray trigger to release pressure from the system

OPERATIONAL NOTE!



- NOTE: If pump does not prime, turn off pump by moving the pump engaging lever to the OFF position, then back out the pressure control knob several turns (counter clockwise) until loose. Move the pump engaging lever to the ON position, leave spray control knob in prime/re-circulating position and let pump run for ONE MINUTE. Then turn the pressure control knob back in until it stops. Push outlet button 3 times. Pump should now prime.
- NOTE: If the pump primes and air bubbles continue to appear in the hose after one minute, the suction hose fitting may not be tight enough or the rubber washer may be worn. Turn off machine, turn spray valve to prime position and depress spray trigger to open gun and release pressure. Remove garden hose fitting at the inlet side of the pump, depress inlet valve stem to make sure it is free, inspect washer to make sure it is seated and in good condition. Re-attach garden hose fitting making sure that it is tight. You may have to snug it with pliers if you continue to get air bubbles. Start engine and repeat first steps for operation.



1700 Jasper St., Unit F, Aurora, CO 80011 T 800.624.6706 F 303.364.7796 • Newstripe.com

4600™ SP Manual / 3031.0517

4600™ Self-Propelled Airless Sprayer

ALWAYS wear safety goggles or protective eye-wear when operating the unit!

SPRAY TIP CLEANING DURING USE

1. Place the Spray Control Knob in the re-circulating position.
2. Turn spray tip arrow on spray gun so that the arrow points toward the gun.
3. Turn spray control knob to spray position and trigger gun. This should clear the gun. Turn spray control knob to prime position and trigger gun to release pressure.
4. Reverse the tip so the spray tip arrow on the spray gun points towards the ground.
4. Turn the Prime/Spray control knob to the spray and resume spraying. If the spray gun continues to clog, check the spray gun filter in the gun handle.
5. Turn Prime/Spray control to prime position. Turn off machine. Remove paint hose from spray gun.
6. Press trigger lock on side of spray gun to lock spray trigger. Remove gun from holder. Push forward on spray trigger guard to release guard from front of gun.
7. You can now unscrew handle. Filter pulls straight out of handle. Only Rinse filter to clean. If filter is still clogged, collapsed or dented, replace filter. Reinstall. If there are still issues, proceed to cleaning procedure.

CLEANING PROCEDURE

1. Remove pail with paint.
2. Place empty pail on machine and fill with 2 gallons of water (if using latex paints) or appropriate solvent if using Alkyd/oil base paint so that suction filter is covered.
3. Place return hose in waste container
4. Make sure Spray Control Knob is in the Re-circulating Position.
5. Start engine and let engine run in prime position until fluid in re-circulating hose runs clear.
6. Turn Spray Control Knob to Spray Position.
7. Trigger gun until gun spray runs clear.
8. Turn spray control knob to prime position, turn off engine and trigger spray gun to release pressure.
9. Wipe down suction tube and re-circulating hose.
10. Clean spray tip if needed with a nylon bristle brush. **DO NOT USE METAL BRUSHES**



PRECAUTIONARY WARNING

- **ALWAYS** release pressure in the system before changing or cleaning the spray tip. (Place the Spray Control Knob in the re-circulating position, turn off sprayer and squeeze spray trigger to release pressure)
- **NEVER** use fuels to clean the equipment
- **DO NOT** use solvents containing halogenated hydrocarbons such as methyl bromine, carbon tetrachloride and ethyl iodine
- **DO NOT** attempt to clean a clogged gun filter. You must replace it.
- **DO NOT** use brushes with metal bristles or any metal object to clean the spray tip of dried paint. Replace the tip if it cannot be cleaned!



1700 Jasper St., Unit F, Aurora, CO 80011 T 800.624.6706 F 303.364.7796 • Newstripe.com

4600™ SP Manual / 3031.0517

4600™ Self-Propelled Airless Sprayer

ALWAYS wear safety goggles or protective eye-wear when operating the unit!

CLEANING PROCEDURE FOR EXTENDED PERIODS OF NON-USE

1. Clean as instructed in cleaning procedure.
2. Pick up suction filter and hold with bottom facing up.
3. Pour 2 ounces of pump protector into suction filter so there is approximately 2 inches of fluid showing in inlet hose.
4. Leave engine off and pull recoil start until you see fluid in return hose.
5. Unit may now be stored with fluid remaining inside hose and pump

CLEANING PROCEDURE FOR WINTER (FREEZING) STORAGE

1. Clean as instructed in cleaning procedure and then place ½ bottle of pump protector in pail.
2. Place spray knob in prime position and run pump until pump protector is seen flowing from return hose.
3. Turn spray knob to spray position and trigger gun until pump protector sprays from gun.
4. Turn spray control knob to prime position, turn off pump and trigger spray gun to release pressure.
5. Move pump engaging lever to “OFF” position.
6. Remove as much fuel from the engine gas tank as you can.
7. Run engine until it runs out of gas.
8. Disconnect paint hose from pump and gun then, drain hose.
9. Unit may now be stored in freezing temperatures.
10. Drain and change engine oil in the spring.

MAINTENANCE

ITEM	CHECK	MAINTENANCE ACTION
Engine Oil	Before each use	Change oil after first 20 hours of operation and then, every 100 hours
Spark Plug & Air Filter	Every 4 Months	Clean or change as needed
Wheels	Lubricate weekly	Grease with high quality axle lubricant
Drive Operating and Pump engaging Levers	Lubricate weekly	Oil pivot points with light machine oil
Spray Gun Clamp and Cable	Check Weekly	Spray with silicone spray
Spray Gun Filter	Check Monthly	Replace if filter becomes clogged
Spray Pump	Before and after each use	Use pump protector if the unit will not be used for more than one day
Suction Filter	Before each use	Replace as needed or when clogged
Suction Tube	Before each use	Replace if needed or has cuts
Bypass (re-circ) hose	Before each use	Replace if needed or has cuts
Spray Hoses	Before each use	Replace if needed or has cuts
Spray Tip	Before each use	Replace if spray pattern is uneven
Outlet Push Button	Before each use	Replace every 1000-1500 gallons or if leaking
Outlet Valve	If pump does not prime	Replace every 500-1000 gallons
Inlet Valve	If pump does not prime	Every 500-1000 gallons
Prime/Spray Valve	If pump will not toggle between Prime/Spray	Every 1000-1500 or if it stops working



1700 Jasper St., Unit F, Aurora, CO 80011 T 800.624.6706 F 303.364.7796 • Newstripe.com

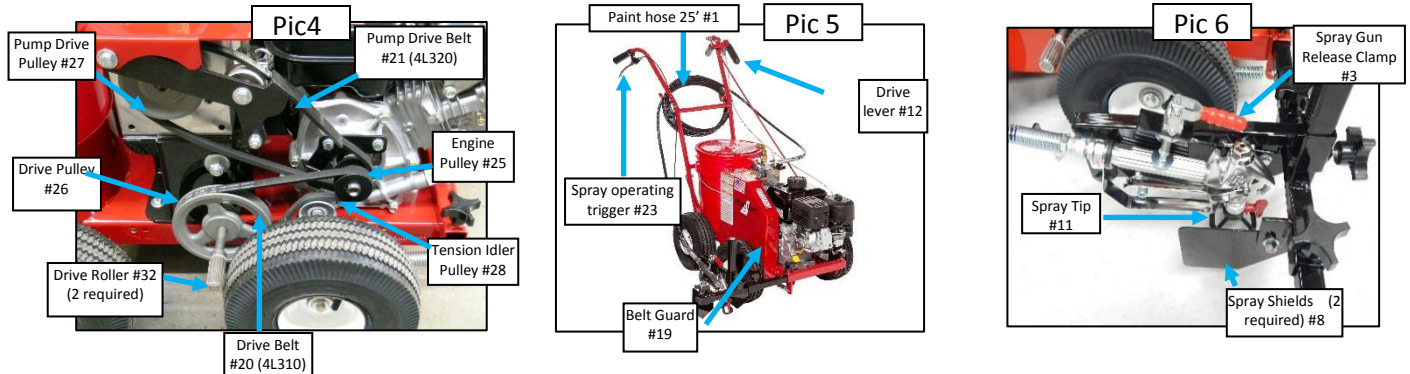
4600™ SP Manual / 3031.0517

4600™ Self-Propelled Airless Sprayer

ALWAYS wear safety goggles or protective eye-wear when operating the unit!

PARTS LIST

Item	Description	Part Number	Item	Description	Part Number
#1	Paint hose, 25' with fittings	10000458	#17	Handle Braces (2 required)	10004578
#2	Spray gun, airless (517 tip)	10005114	#18	Chassis	10004028
#3	Spray Gun Release clamp	10001579	#19	Belt guard	10004029
#4	Lifting bar, spray gun trigger	N/A	#20	Belt, Drive, 4L310	10002891
#5	Spray gun support tube	10003550	#21	Belt, Pump Drive, 4L320	10003019
#6	Spray gun mounting bracket	10004607	#22	Star Knob (5 required)	10000007
#7A	Left spray shield pivot (with star knob)	10001228	#23	Trigger, operating spray	10002951
B	Right spray shield pivot (with star knob)	10001229	#24	Operating Cable	10000820
#8	Spray shields (2 required)	10003562	#25	Pulley, engine	10001739
#9	Spray tip guard w/base	10005116	#26	Pulley, Drive	10004027
#10	Spray gun Filter (Package of 2)	10000641	#27	Pulley, pump drive	10000708
#11	Spray tip, 517 reversible tip (2"-4" wide lines)	10000508	#28	Pulley, drive idler	10001111
#12	Drive lever	10002072	#29	Pulley, pump idler	10003815
#13	Drive rod	10004603	#30	Spring, Upper tension` pulley	10001756
#14	Cable Adjuster	10000018	#32	Drive Roller (2 required)	10003387
#15	Hand Grips, (2 required)	10004281	#33	Flange Mount Bearing (Drive shaft support, 2 required)	10001769
#16	Dual handle with hose hanger	10003762	#34	Wheels, 10" pneumatic	10000012



ENGINE LUBRICANT AND PARTS

ITEM	SPECIFICATIONS
Engine	Briggs & Stratton 550XR, Model 083132
Oil Capacity	.59 Liters (20 ounces) SAE 10W30
Spark Plug	Briggs & Stratton Part# 798615
Air Filter	Briggs & Stratton Part# 796970



1700 Jasper St., Unit F, Aurora, CO 80011 T 800.624.6706 F 303.364.7796 • Newstripe.com

4600™ SP Manual / 3031.0517

4600™ Self-Propelled Airless Sprayer

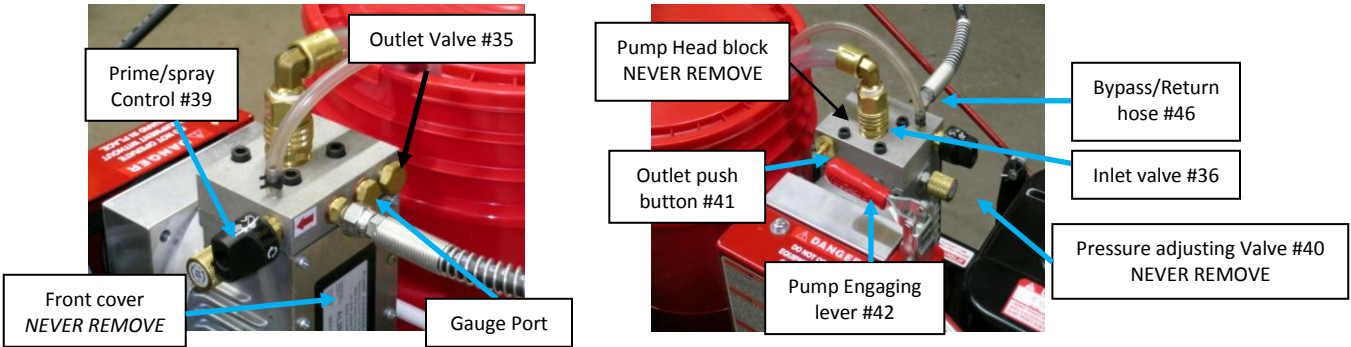
ALWAYS wear safety goggles or protective eye-wear when operating the unit!

AIRLESS PUMP PARTS

Item	Description	Part Number
#35*	Outlet valve	10005102 (kit)
#36*	Outlet push button	
	*#35 and #36 available in kit only	
#37	Diaphragm Kit	10000382
#38	Spray pump, airless	10000407
#39	Prime/spray control Valve	10004000
#40	Pressure Control knob	N/A
#41	Inlet Valve	10002745

Item	Description	Part Number
#42	Pump Engaging lever	10001817
#43	Suction hose filter	10001760
#44	Suction hose sleeve	10003932
#45	Suction Hose	10002863
#46	By-Pass hose (re-circulating)	10002862
#47	Suction hose washer (pkg of 5)	10000711
#48	5-gallon pail Strainer (pkg of 5)	10003569
**	Airless maintenance kit	10004609

AIRLESS PUMP DETAIL



NEVER REMOVE FRONT COVER, PRESSURE ADJUSTING VALVE OR THE PUMP HEAD BLOCK.

THIS WILL VOID THE WARRANTY. CALL THE FACTORY FOR SERVICE LOCATIONS IF THESE ITEMS REQUIRE SERVICE.

ITEM	CHECK	*REPLACE
Spray tips: 517 2"-4" Width 619 4"-6" Width	Before each use	Every 75-500 gallons Or when line quality becomes poor
Suction filter 10001760	Before each use	If filter becomes clogged
Gun filter 10000641	Every 25 gallons or if gun does not spray	REPLACE ONLY DO NOT CLEAN (every 50-250 gallons)
*Outlet push button 10005102	Before each use	Every 1000-1500 gallons or if leaking
*Inlet valve 10002745	If pump does not prime check washer at same time	Every 500-1000 gallons. Washer- Every 50-250 gallons
*Outlet valve 10005102	If pump does not prime <i>*Inlet/Outlet valve kit 10000694</i>	Every 500-1000 gallons
Prime/Spray Valve 10004000	Only if it stops working	Every 1000-1500 gallons or if it stops working
Suction tube	Before each use	Check for nicks and cuts
Bypass tube	Before each use	Check for nicks and cuts

*Interval ranges vary due to the wide variety of paint types from traffic to thinned athletic



1700 Jasper St., Unit F, Aurora, CO 80011 T 800.624.6706 F 303.364.7796 • Newstripe.com

4600™ SP Manual / 3031.0517

4600™ Self-Propelled Airless Sprayer

ALWAYS wear safety goggles or protective eye-wear when operating the unit!

TROUBLESHOOTING GUIDE

PROBLEM	REMEDY
Engine will not start	Check that the fuel shutoff and ignition switch are in the on position, choke lever is in Choke position and throttle lever is in run position. Fuel tank has adequate new fuel. Call factory for assistance.
Engine starts, but runs rough	Check that the choke is turned off.
Choke off but still runs rough	Check for proper fuel. Check spark plug for fouling. Clean or replace. Check air filter.
Drive lever engaged, but machine will not move	Drive rollers not contacting tire or contacting too lightly. Check tire pressure. Adjust rod until rollers contact wheels firmly. Call factory for assistance.
Rollers contacting tire, but are slipping	Tire pressure okay & rod adjusted, replace drive rollers.
Pump will not prime (No fluid returning to pail)	Check that spray control knob is in Prime position (Circular arrows aligned with arrow on housing). Push brass outlet valve button 3 times.
Outlet Valve Button pushed, but will still not prime	Turn off pump, turn pressure control knob out (counter-clockwise) several turns until loosens. Turn on pump and run for 60 seconds. Turn pressure control knob all the way in. Pump should now prime. Call factory for assistance.
Fluid is returning to pail in bypass hose, but air bubbles are still present in hose after 60 seconds	Check inlet hose fitting for tightness and worn or missing rubber washer. Check suction hose for nicks or cuts. Call factory for assistance.
Pump primes, but gun does not spray	Check spray control knob is in spray position. Check pressure control knob is turned to high pressure (clockwise), until it stops. Do Not Force . Check suction filter is below liquid level. Press brass outlet valve button three times. Make sure spray tip is not obstructed.
Knobs are set correctly, still does not spray	Check that trigger lock on spray gun is turned to operating position (wings parallel to gun body). Check spray tip arrow is pointing towards ground Check that handle trigger is operating spray gun.
All of above correct, gun will still not spray	Turn spray control knob to prime position, turn off engine, pull trigger to release pressure. Check spray gun filter, replace if plugged. Call factory for assistance.
Over spray or too much paint	Lower spray pressure. Turn spray pressure control knob counter- clockwise several turns, then increase pressure until desired spray pattern is even.
Too little paint	Increase spray pressure. Paint may need to be thinned in cooler temperatures and if paint viscosity is very thick.
Uneven spray pattern or stringing	Increase spray pressure. Spray tip may be chipped or clogged. Reverse tip to clear obstruction and clean if necessary.
Pressure increased, tip is clean, spray still not correct	Worn tip. Replace tip. Call factory for assistance.

Your machine is designed to be simple and safe to operate:

Please call us at 1-800-624-6700! If you have any questions during setup, painting or cleaning.



1700 Jasper St., Unit F, Aurora, CO 80011 T 800.624.6706 F 303.364.7796 • Newstripe.com

4600™ SP Manual / 3031.0517

4600™ Self-Propelled Airless Sprayer

ALWAYS wear safety goggles or protective eye-wear when operating the unit!

WARRANTY – 36 MONTH

NEWSTRIPE, INC., WARRANTS TO THE ORIGINAL PURCHASER, FOR 36 (THIRTY-SIX) MONTHS AFTER DATE OF PURCHASE, THAT THE EQUIPMENT* HEREBY SOLD SHALL BE FREE OF DEFECTS IN MATERIALS AND WORKMANSHIP. THIS WARRANTY DOES NOT EXTEND TO ANY DAMAGE OR MALFUNCTION RESULTING FROM MISUSE, NEGLIGENCE, ACCIDENT, IMPROPER OPERATION, OR NORMAL WEAR AND TEAR.

Damage incurred in shipment from Newstripe, Inc. to the customer is the total responsibility of the carrier. The CUSTOMER MUST NOTE DAMAGES on the Bill of Lading of Trucking Company or Railroad; and Newstripe, Inc. will furnish to the customer the cost or parts and labor. The customer can then bill the common carrier for the damages by placing his signature on the documents.

The Newstripe, Inc. obligation under this warranty and any implied warranties is limited to replacement or repair of defective parts of its manufacture without charge for 36 (THIRTY-SIX) months from date of purchase. For service under this warranty, buyer shall ship the defective part or parts of the equipment, transportation prepaid, to Newstripe, Inc. together with a written description of any claimed defect and proof of purchase date of the materials being returned. **Prior to retuning any part or machine, the CUSTOMER must obtain a Return Materials Authorization number. Call 1-800-624-6706. To review the complete guidelines for warranty and returns, please visit www.newstripe.com/guidlinesforwarrantyandreturn.**

***Gasoline engines, compressors, pumps (including airless) and Transaxles are furnished with their respective manufacturer's warranties only. Such components are not covered by any warranty of Newstripe, Inc. Where Newstripe elects to extend manufacturers' warranties, the warranty shall be pro-rated as to cover 100% of the cost to replace or repair materials and parts for the first 12 months of ownership and 60% for the remaining 6 month period.**

The responsibilities described above are the only responsibilities of Newstripe, Inc. under this written warranty or any implied warranty, and may be exercised only within 36 (THIRTY-SIX) months from the date of purchase. In no event shall Newstripe, Inc. be liable for incidental or consequential damages and no person had any authority to bind it to any representation or warranty, not be responsible for work done, materials furnished or repairs made by others without its' specific written authorization.

THIS WARRANTY SHALL BE IN LIEU OF ANY AND ALL OTHER WARRANTIES, EXPRESSED OR IMPLIED, INCLUDING ANY WARRANTIES OF MERCHANTABILITY OR FITNESS FOR A PARTICULAR PURPOSE, AND THERE IS NO OTHER REPRESENTATION OR WARRANTY OF ANY KIND WITH RESPECT TO THE GOODS SOLD HEREBY EXCEPT AS SET FORTH HEREIN. IT IS EXPRESSLY AGREED THAT THIS WARRANTY SHALL BE LIMITED TO THE ADJUSTMENT, REPAIR OR REPLACEMENT OF PARTS AND THE LABOR AND SERVICES REQUIRED THEREBY. IN NO EVENT, INCLUDING ANY CLAIM FOR NEGLIGENCE, SHALL NEWSTRIPE, INC. BE LIABLE FOR INCIDENTAL OR CONSEQUENTIAL DAMAGES.

Sincerely,
Newstripe, Inc.



1700 Jasper St., Unit F, Aurora, CO 80011 T 800.624.6706 F 303.364.7796 • Newstripe.com

4600™ SP Manual / 3031.0517