



# Professional Edger Crack Cleaner

Covers Models:

LSE-BS5.5

LSE-GX120

LS-CCBS5.5

LS-CCGX120

# Operator / Parts Manual



LSE-BS5.5



LS-CCBS5.5

P.O. Box 595  
Bellevue, Ohio 44811  
419-483-9918 ph  
419-483-8128 fax

**SELBRO**  
INCORPORATED



## **WARNING**

**The engine exhaust from this product contains chemicals known to the State of California to cause cancer, birth defects or other reproductive harm.**

### **CALIFORNIA**

#### **Proposition 65 Warning**

**Diesel engine exhaust and some of its constituents are known to the State of California to cause cancer, birth defects and other reproductive harm.**

### **CALIFORNIA**

#### **Proposition 65 Warning**

**Battery posts, terminals, wiring, insulation and related accessories contain lead and lead compounds, chemicals known to the State of California to cause cancer, birth defects and other reproductive harm.**

**WASH HANDS AFTER HANDLING**



## **TABLE OF CONTENTS**

**Instruction Labels** \_\_\_\_\_ **4**

**Operation** \_\_\_\_\_ **5**

**Brush Safety** \_\_\_\_\_ **6**

**Specifications** \_\_\_\_\_ **7**

**Illustrated parts** \_\_\_\_\_ **8**

**Parts List** \_\_\_\_\_ **9**

**Parts List** \_\_\_\_\_ **10**



# **ATTENTION!**

**THIS SYMBOL ALERTS YOU TO POTENTIAL HAZARDOUS SITUATIONS**



**DANGER**



**WARNING**



**CAUTION**



## Operation

1. DO NOT operate product when barefoot or wearing open sandals. Always wear safety glasses, Protective footwear and pants that cover your legs.
2. DO NOT use product on gravel surfaces.
3. Never operate this product without good visibility.
4. Start the engine carefully. Make certain the brush / blade is raised in the store position, and that the engine stop switch is set to “on” before attempting to start. Keep hands, feet and clothing well away from moving parts.
5. Never attempt to make any adjustments while engine is running.
6. Never direct discharge of material toward bystanders. Keep area clear of people and pets. Be aware of your surroundings at all times.
7. Stay alert for uneven pavement, holes in terrain or other unstable conditions when using this product. Always push the machine slowly over rough surfaces.
8. Objects struck by the brush / blade can cause injuries. The surface should always be carefully examined and cleared of all foreign objects prior to operation.
9. Elevate the brush / blade when the product is not in use. Take all possible precautions when leaving the machine unattended. Disengage attachments and stop the engine.
10. When cleaning, repairing, or inspecting, make certain the brush / blade and all moving parts have stopped, and the engine is not running. Disconnect the spark plug wire and keep the wire away from the plug so that unintentional starting does not occur. Keep all guards free from debris build-up.
11. Never operate this product without guards, plates or other protective devices in place.
12. Use only accessories and attachments supplied, or specifically recommended by the manufacturer.
13. Do not operate this product with a damaged or excessively worn brush / blade.
14. **CAUTION:** Operate this product from a position where guards block the line of sight to the brush / blade.

# Operation

## ***Power Brush Safety:***

**Warning** - In normal power brushing operations, the material being removed such as dirt, debris, small stones and other residue will fly off the brush with considerable force along with brush filaments, which break off due to wear and fatigue.

The **Potential of Serious Injury Exists** for both the brush operator and others in the work area (possible 50 or more feet from the brush.) To protect against this hazard, wear **Safety Goggles** or **Full Face Shields Worn over Safety Glasses with Side Shields**, along with **Protective Clothing**. You must follow all operator and safety instructions, as well as all common safety practices, which reduce the likelihood of physical injury, or reduce its severity.

## ***Summary - Power Brush Safety:***

**Safety Goggles** - Safety goggles or full face shields worn over safety glasses with side shields **Must Be Worn by all Operators and Others in the Area of Power Brush Operations.**

**Guards** - Keep all machine guards in place.

**Speeds** - Observe all speed restrictions indicated on brushes, containers, and labels or printed in pertinent literature. "MSFS" means Maximum Safe Free Speed (R.P.M.) spinning free with no work applied. For reasons of safety, "MSFS" should not be exceeded under any circumstances.

**Protective Equipment** - Appropriate protective clothing and equipment must be used where there is a possibility of injury that can be prevented by such clothing or equipment.

**Warning! Failure to Observe Safety Precautions May Result in Injury.**

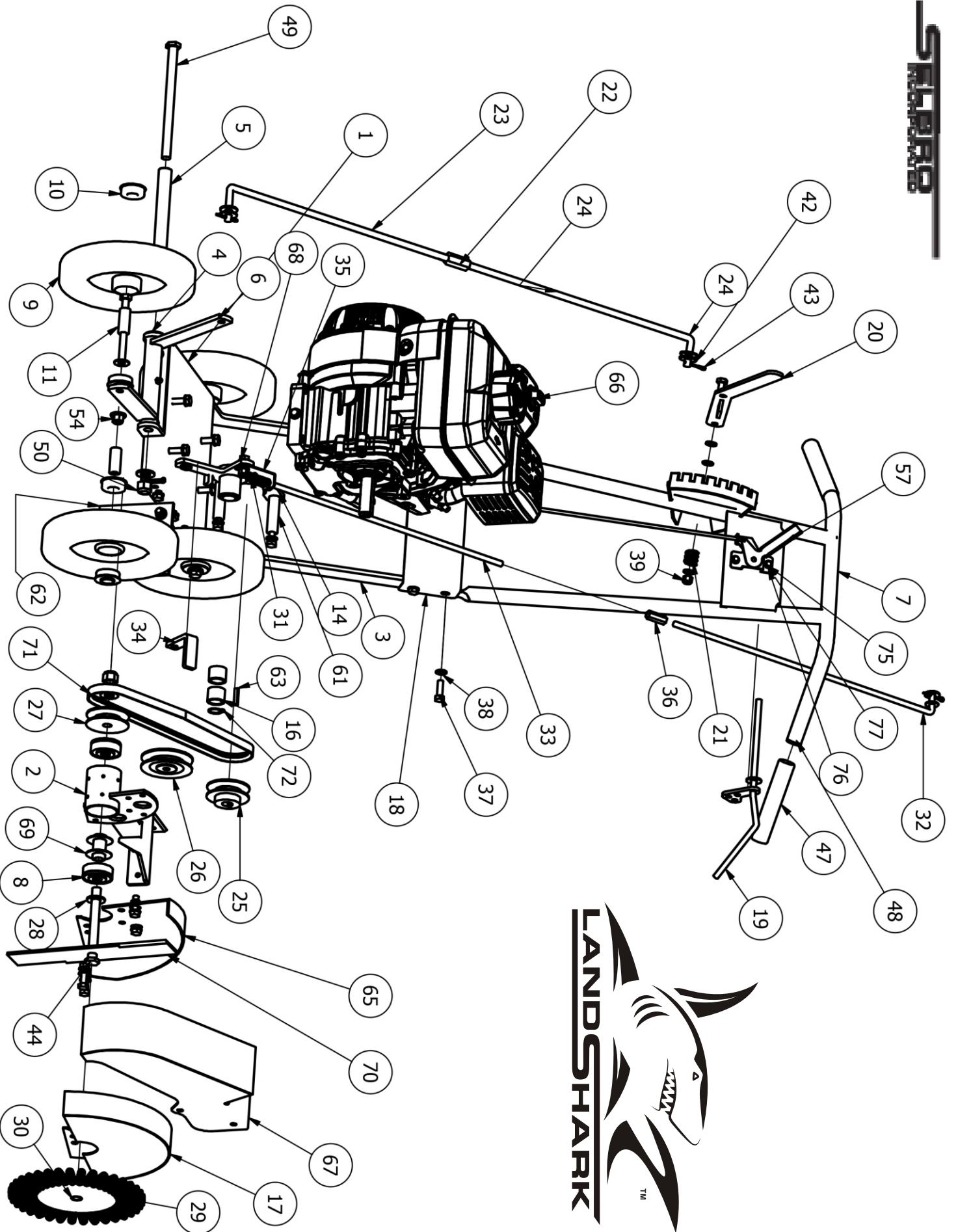


## Specifications

LSE-GX120

LSE-BS5.5

	LSE-GX120	LSE-BS5.5
Engine: HP	4.0 (2.98 kW)	5.5 Ft/Lbs Torque
Engine: Model	GX120T1QA2	83100
Engine: Type	HONDA OHV	Briggs & Stratton
Engine: Fuel Capacity	2.1 qt. (2.0L)	.5 gal. ( 1.89 L)
Engine: Oil Capacity	0.63 qt. ( 0.6 L)	20 oz (.59 L)
Total Unit Weight:	87# (39.46 kg)	88# (39.92 kg)
Max. Operating Slope	20°	20°





## PARTS LIST

ITEM	QTY	PART NUMBER	DESCRIPTION
1	1	11803	ENGINE BASE
2	1	11848	ARBOR DRIVE ASSEMBLY
3	2	11787	HANDLE ARM
4	1	11791	WHEEL BRACKET CLEVIS
5	1	12228	FRONT PIVOT SPACER
6	1	11859	WHEEL BRACKET
7	1	11866	HANDLE ASSEMBLY
8	2	12231	DRIVE BEARING
9	4	11829	WHEEL ASSEMBLY
10	8	11493	.625" UNGROUND FLANGED BALL BEARING
11	4	12230	SLEEVE WHEEL SPANNER
14	1	11860	IDLER ARM BASE
16	2	07024	BRONZE BUSHING
17	1	12235	SHROUD - BRUSH
18	1	12236	HANDLE CROSSOVER PLATE
19	1	11851	ENGAGEMENT HANDLE
20	1	11814	ADJUSTER ARM
21	1	11816	ADJUSTER ARM SPRING
22	1	11790	COUPLING NUT 3/8-16
23	1	11862	LOWER ADJUSTING ROD
24	1	11863	UPPER ADJUSTING ROD
25	1	11827	MOTOR PULLEY
26	1	11818	IDLER PULLEY
27	1	11822	Arbor Drive Pulley
28	4	11127	.500" SAE FLAT WASHER
29	1	12237	WIRE BRUSH
30	1	12304	REDUCER BUSHING
31	1	11813	ENGAGEMENT SPRING
32	1	11854	UPPER ENGAGEMENT ROD
33	1	11855	LOWER ENGAGEMENT ROD
34	1	11846	BELT RETAINER
35	1	11808	ENGAGEMENT SPRING TAB
36	1	11842	COUPLING NUT 5/16 - 18
37	14	11815	5/16-18 x 1.00" HHCS
38	50	11845	.250" USS FLAT WASHER
39	23	11905	5/16-18 NYLON LOCK NUT
40	4	11914	5/16-18 x 1.750" HHCS
41	2	11147	5/16-18 x 1.25" Gr 8 YZ HHCS
42	2	11155	.375" FLAT WASHER
43	3	11838	COTTER PIN
44	1	12238	1/2-13 x 4.5" HHCS

PARTS LIST

ITEM	QTY	PART NUMBER	DESCRIPTION
45	1	11916	5/16-24 x 1.00" HHCS
46	2	11904	5/16 SPLIT LOCK WASHER
47	2	11865	HANDLE GRIP
48	2	11861	HANDLE END CAP
49	1	12239	1/2-13 x 7" HHCS
50	2	11145	1/2-13 NYLON LOCK NUT
51	1	02258	GREASE ZERK
52	2	12240	3/8-16 x 3" HHCS
53	1	12241	3/8-16 x 4" HHCS
54	3	11150	3/8-16 NYLON LOCK NUT
55	12	11366	5/16 USS WASHER
57	1	12302	THROTTLE CONTROL ASSEMBLY
58	1	12242	5/16-18 x 2" HHCS
59	2	12243	5/16-24 x 3.25" HHCS
61	2	11797	GUARD SPACER
62	1	11821	RUBBER SWEEP
63	1	11844	3/16" KEY STOCK
65	1	11802	BLADE GUARD - EDGER
66	1	Engine	MODEL SPECIFIC
67	1	11801	BELT GUARD
68	1	11789	IDLER ARM
69	1	12226	BEARING SPACER
70	1	11820	BLADE
71	1	11856	DRIVE BELT
72	1	12247	.750 EXTERNAL RETAINING RING
74	1	12225	5/16 AXLE CAP
75	2	12298	#10-24 X.6 CAP SCREW
76	5	11409	#8 FLAT WASHER
77	2	12299	10-24 NYLON LOCK NUT