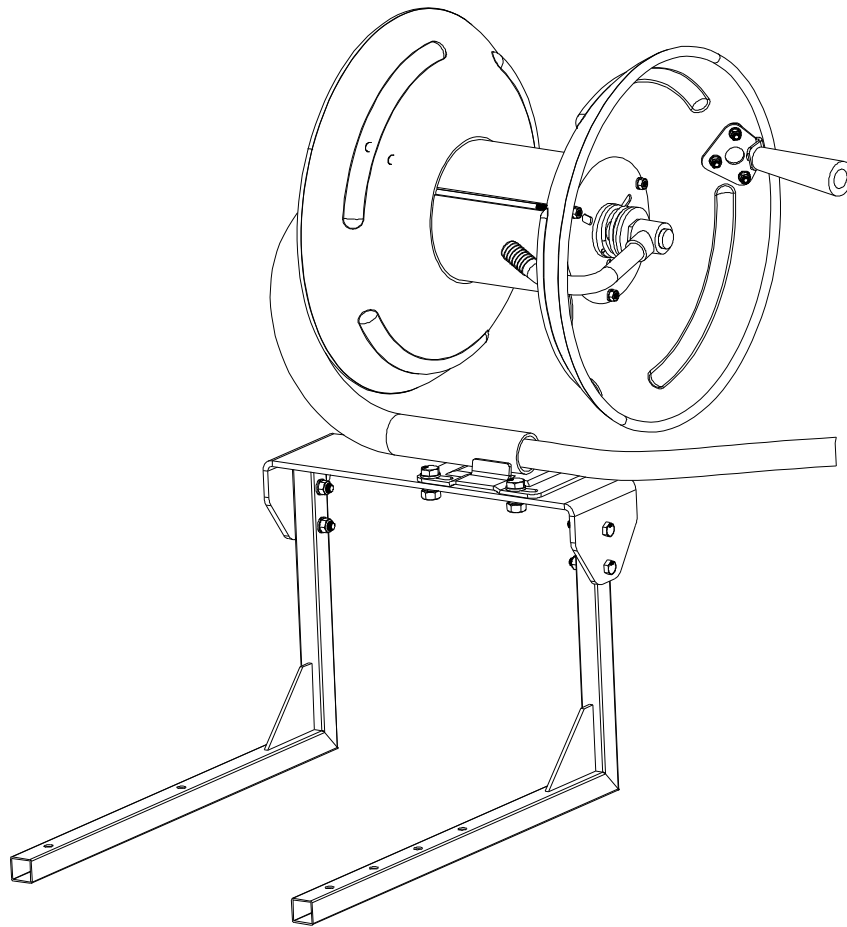


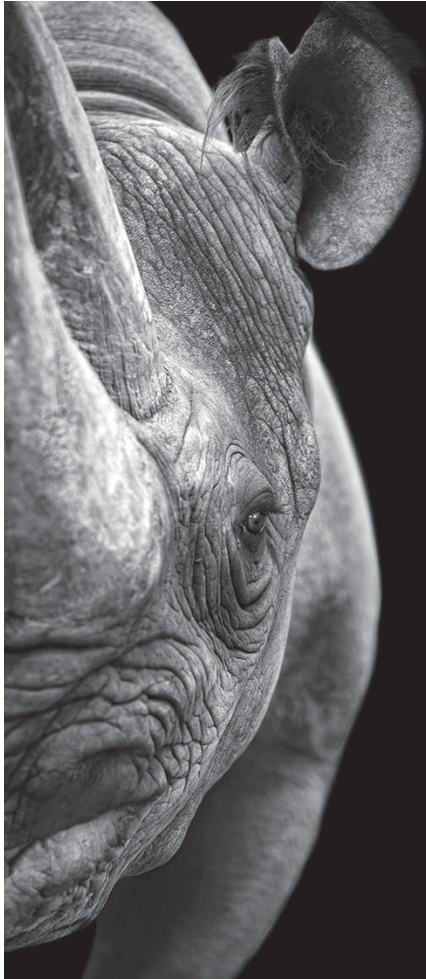
RynoWorx

Operator's Manual



MPN: RA-HRL-0001

Hose Reel for 50' of $\frac{3}{4}$ " Hose



NEED HELP? WE ARE HERE FOR YOU!



Facebook Messenger

support@rynoworx.com



WhatsApp Messaging

519-404-9775



Website Chat

rynoworx.com/support



Email

support@rynoworx.com



Phone




855-382-9611



RynoWorx®

RYNOWORX.COM

Warning

-  Read all instructions and warnings in this manual before attempting to operate this equipment.
-  This hose reel is meant to be used with centrifugal style (low pressure) pumps.
-  The hose reel only work with water-based or acrylic asphalt seal coat. They do not work with petroleum or oil-based sealer, gilsonite, or sealer with sand in it.

Required Tools

Required:

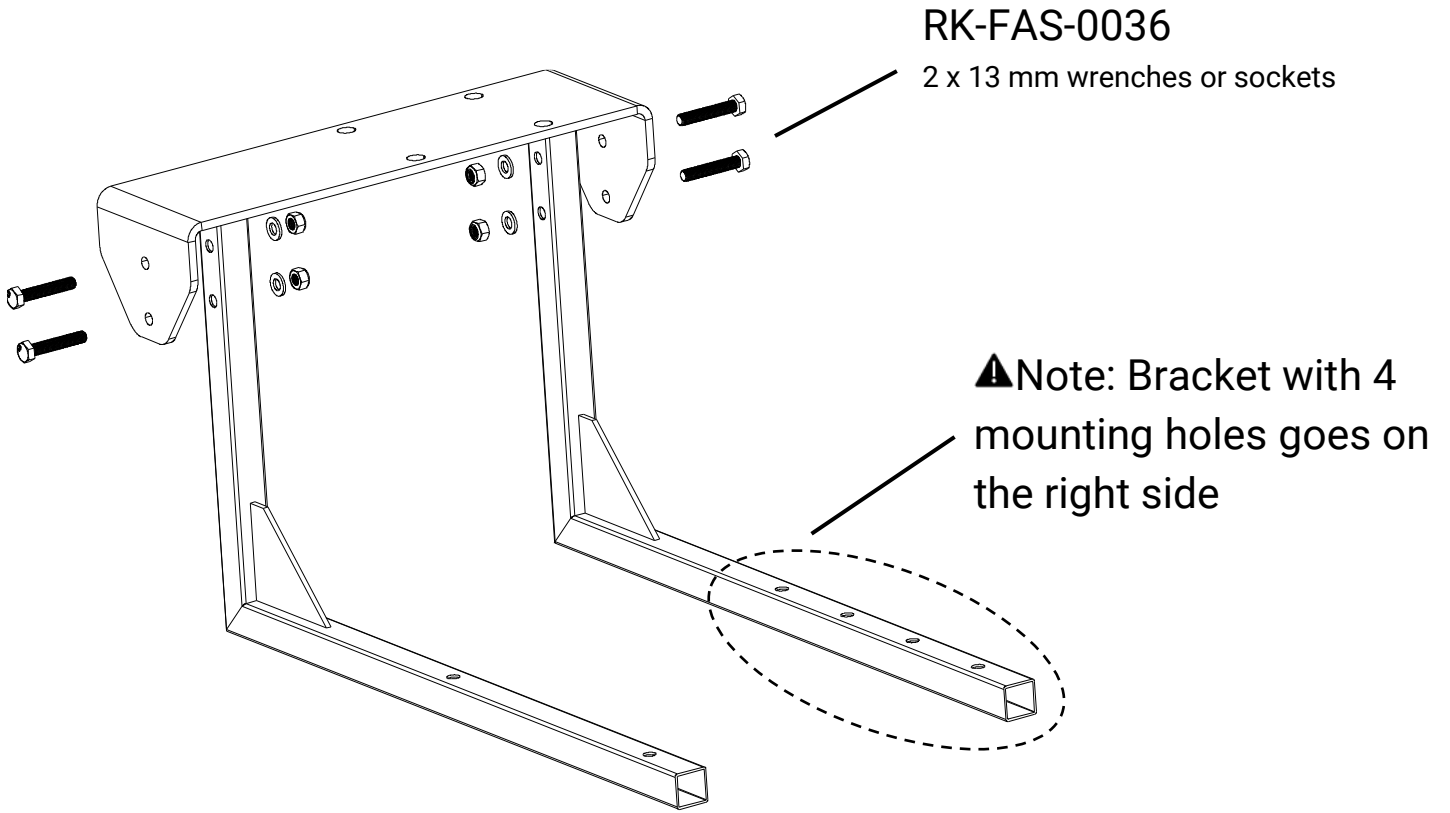
- 2 x 13 mm wrenches or sockets
- 2 x 17 mm wrenches or sockets
- 5/16" or 8 mm Socket or Flat Head Screwdriver
- 10 mm wrench or socket
- #2 Phillips Screwdriver
- Utility knife

Optional:

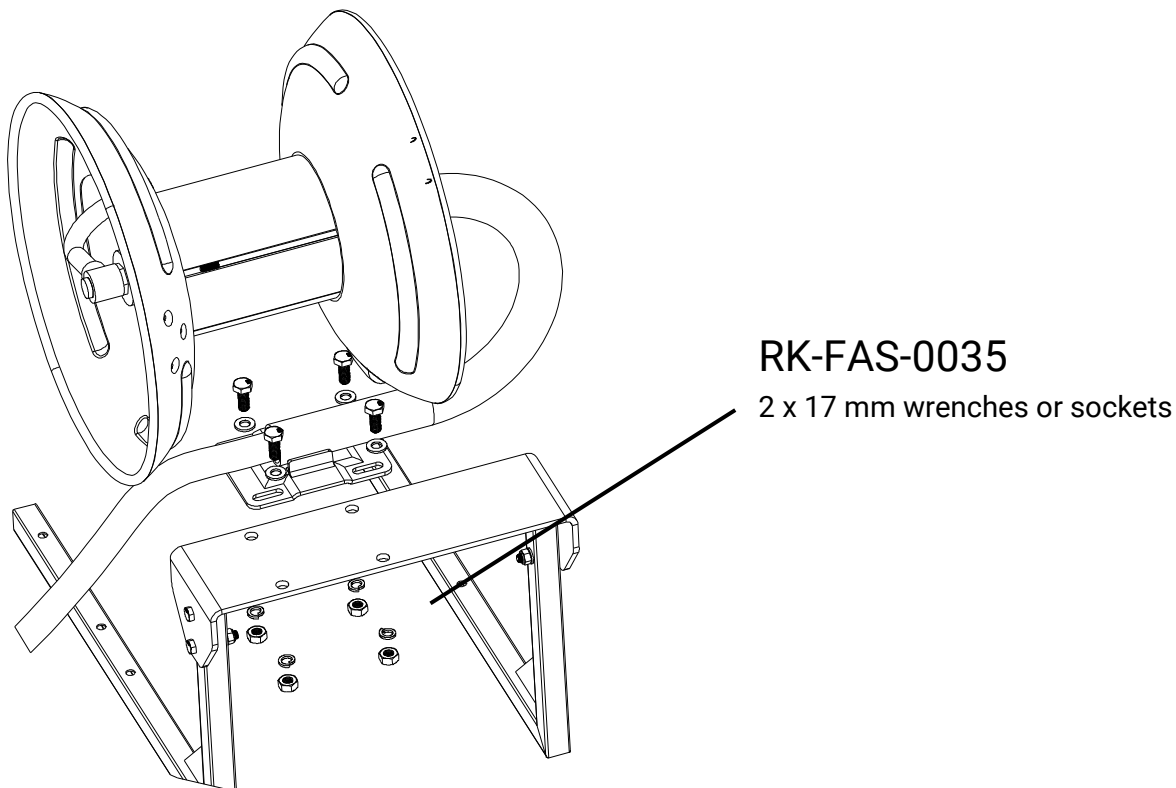
- Adjustable wrenches to substitute for any wrench above

• **Assembly Instructions**

1) Assembly Frame



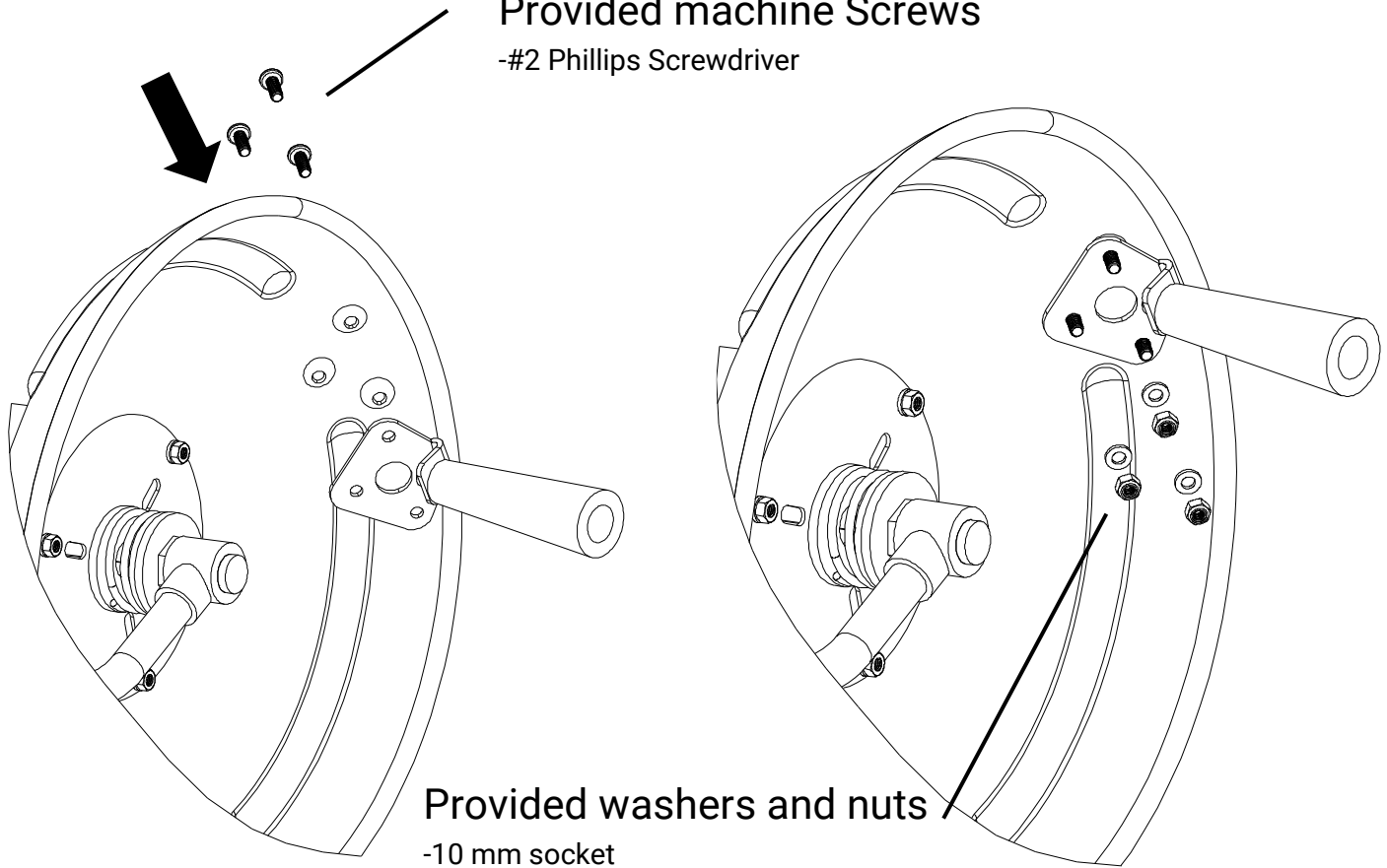
2) Mount Reel on Frame



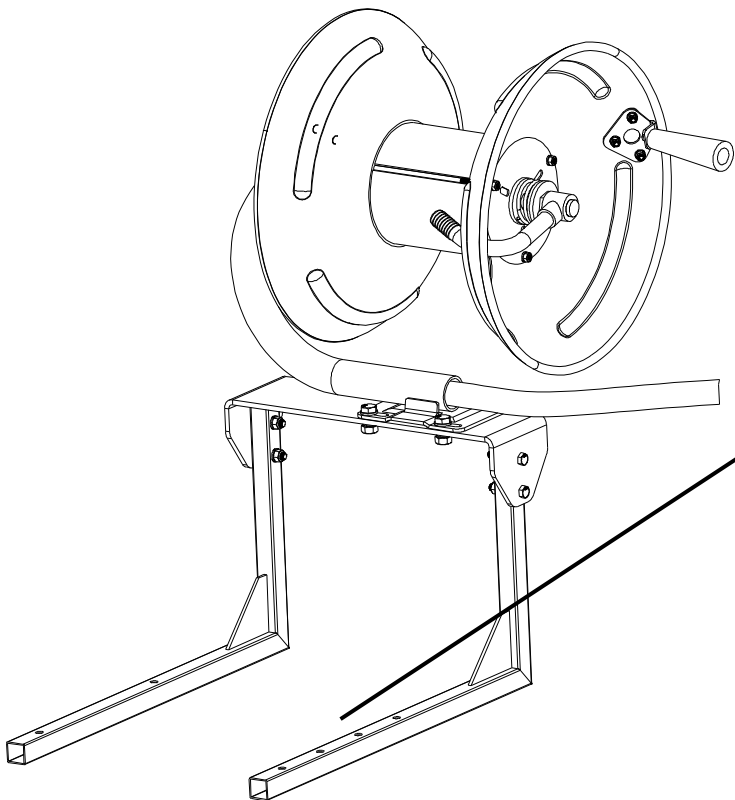
3) Assembly Reel Handle

Provided machine Screws

-#2 Phillips Screwdriver

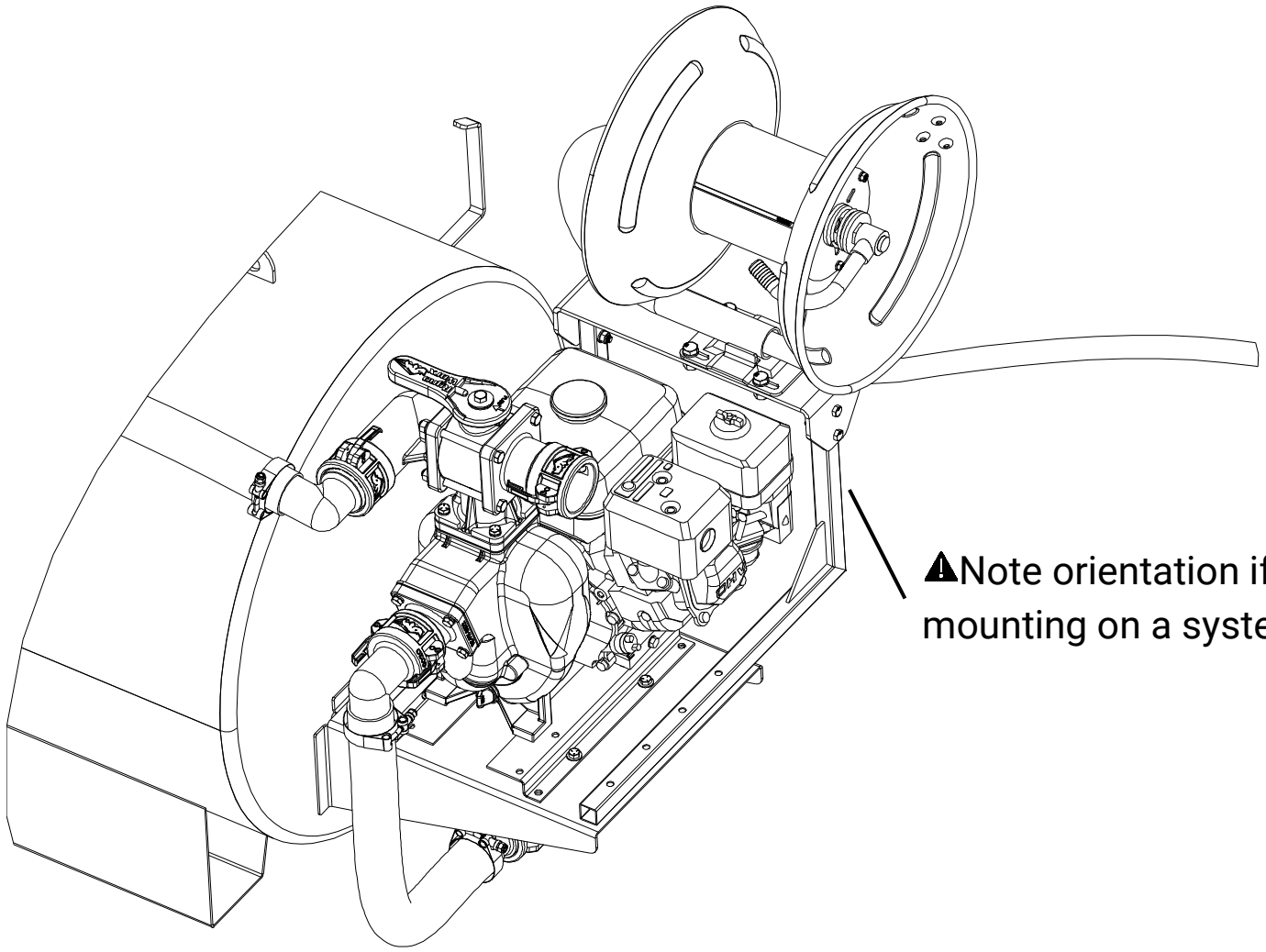


4) Mount Reel on system, truck, or trailer



RK-FAS-0036

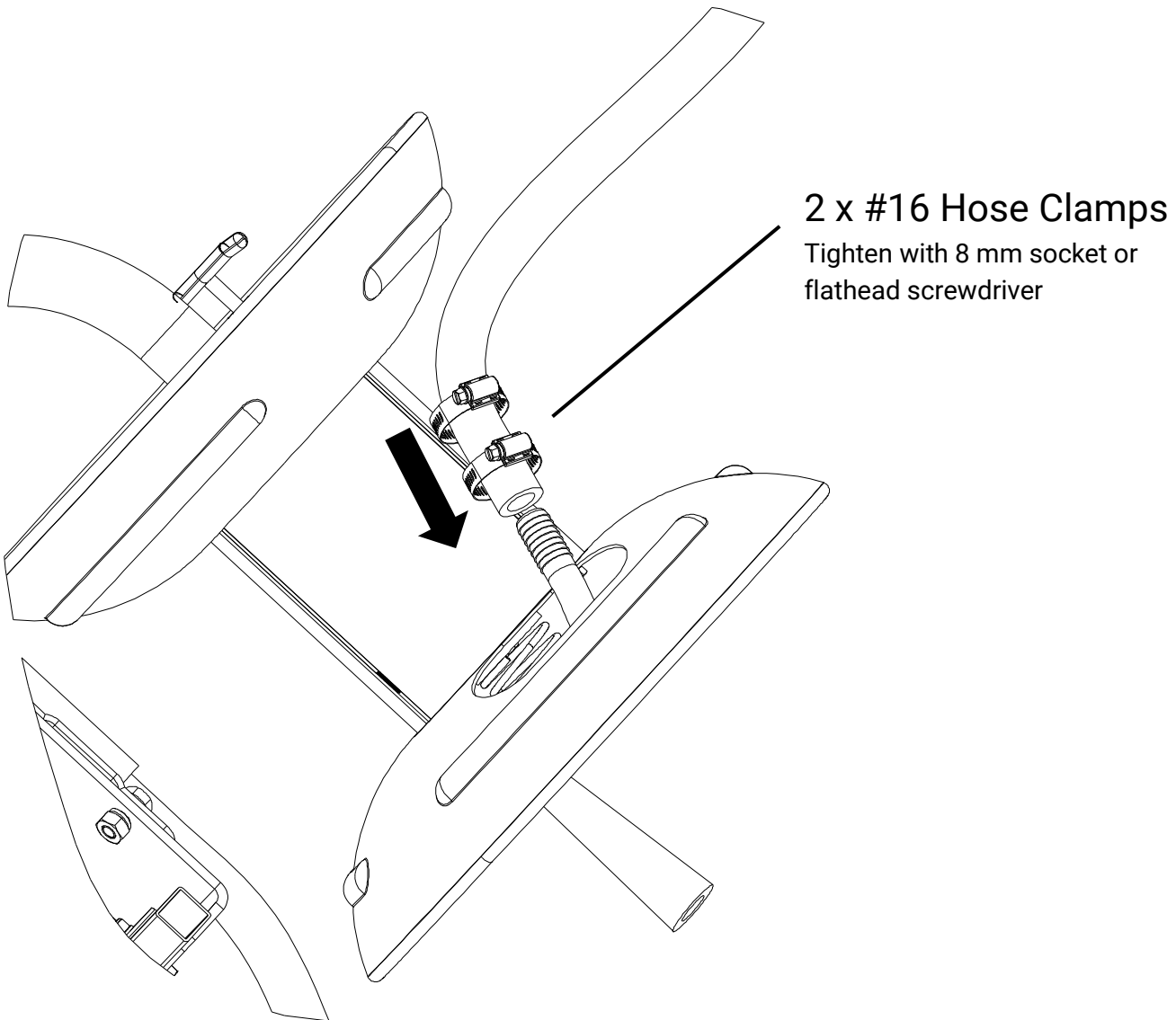
2 x 13 mm wrenches or sockets



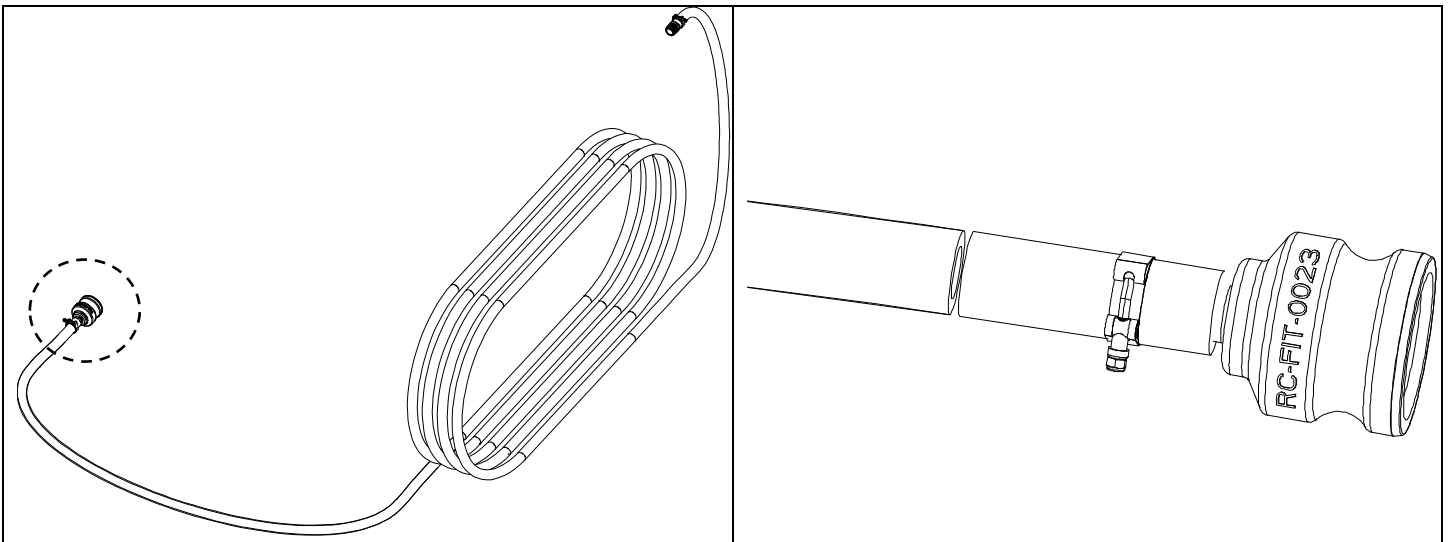
▲ Note orientation if mounting on a system

- **Set Up**

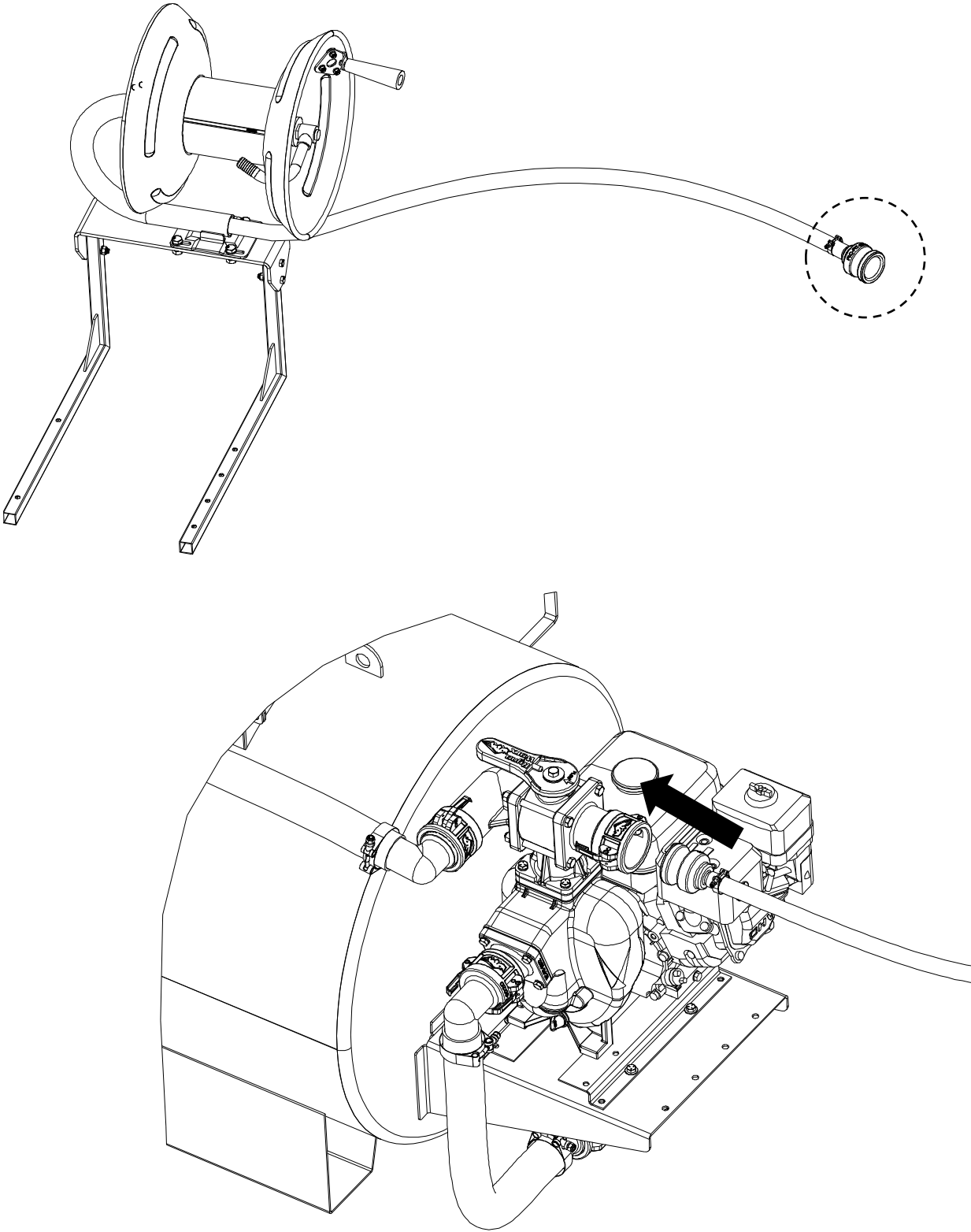
1) Attach 3/4" 50' spray hose to barb on reel



⚠ If spray hose comes with a 2" male camlock like shown below, the hose will need to be cut with a utility knife to remove the fitting before attaching the hose to the barb on the reel.



2) Attach the 2" male camlock fitting on the reel intake hose to the output port on the spray system.



⚠ If the output port on your spray system is a $\frac{3}{4}$ " barb, the intake hose on the reel will need to be cut with a utility knife just behind the 2" male camlock fitting to remove the fitting.