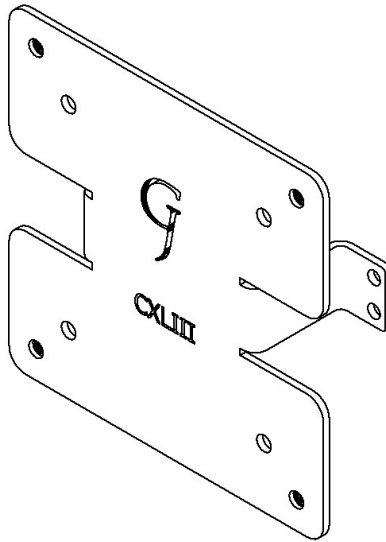


GJ0A0150



VESA MOUNT ADAPTER

GLADIATOR JOE

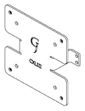


Fits the following models:
LG mp58 hq

WARNING!

- To avoid danger of suffocation, keep these parts away from babies and children.
- Be aware of the sharp edges of the product.
- Check carefully to make sure that there are no missing or defective parts. Improper installation may cause problems.
- Do not hang something heavy on this product, which may exceed the weight capacity.
- Do not use this product for any other purpose that is not specified in this manual.

PACKAGE CONTENTS

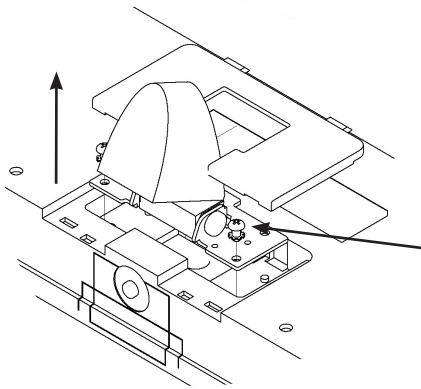


A (x1)
Adapter Bracket



B (x4)
M4 x 12mm
Panhead Screw

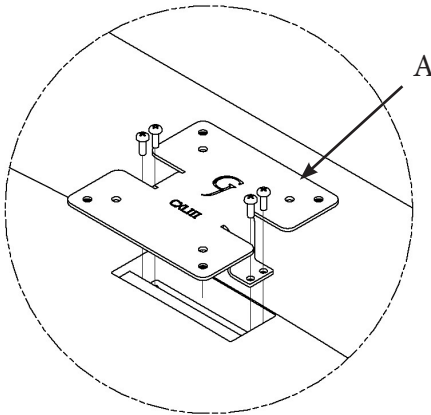
ASSEMBLY STEPS



STEP 1

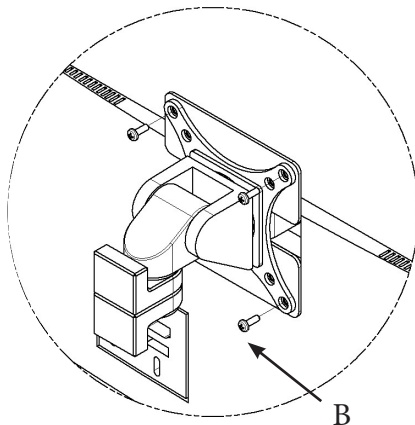
Remove the stand connector from the monitor, and keep the screws.

Original Screws and washers



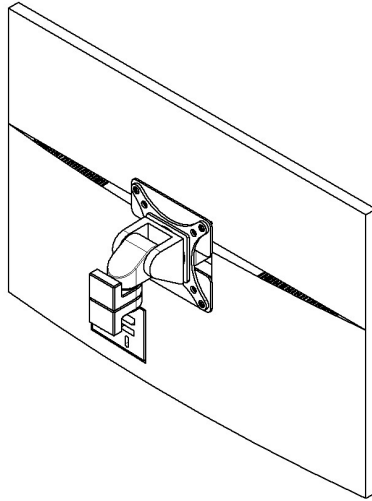
STEP 2

Use Original Screws to install adapter on the monitor



STEP 3

Mount adapter to your arm with B



Please leave us a review if you like our products.
Please feel free to contact us if you have any question.



<https://gladiatorjoe.com/>



US: +1 954 271 6612
CDN & International:
+1 514 494 1348



info@gladiatorjoe.com