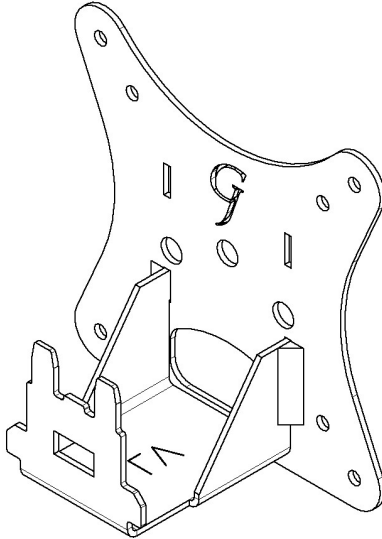


GJ0A0055



VESA MOUNT ADAPTER

GLADIATOR JOE



Fits the following models:

Acer G227HQL, G227HQL abi, G227HQL bi, G237HL, G237HL bi, G247HYL, G247HYL bmidx, G257HL, G257HL bmidx, G257HU, G257HU smidpx, R240HY, H226HQL, H226HQL bid, H236HL, H236HL bid, H236HL bmid, H236HL bmjd, H276HL, H276HL bmid, H276HL bmjd

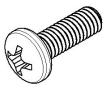
WARNING!

- To avoid danger of suffocation, keep these parts away from babies and children.
- Be aware of the sharp edges of the product.
- Check carefully to make sure that there are no missing or defective parts. Improper installation may cause problems.
- Do not hang something heavy on this product, which may exceed the weight capacity.
- Do not use this product for any other purpose that is not specified in this manual.

PACKAGE CONTENTS



A (x1)
Adapter Bracket

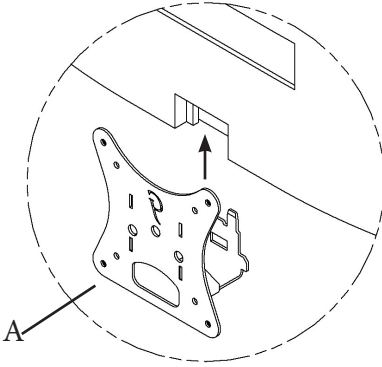


B (x4)
M4 x 12mm Panhead Screw



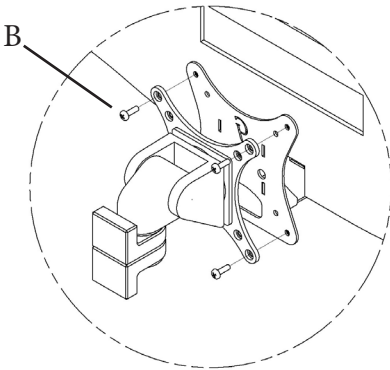
C (x4)
M4 Hex Nut

ASSEMBLY STEPS



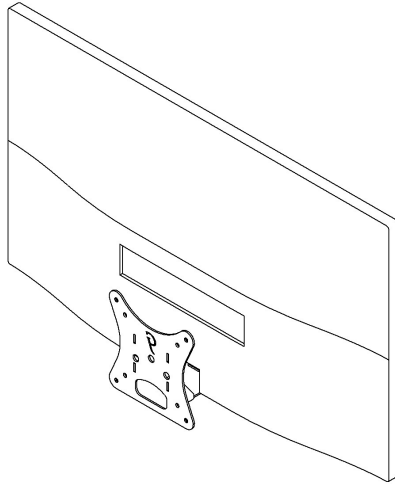
Step 1

Remove original monitor stand. Then, install A to the monitor



Step 2

Mount adapter to your arm with B (x4) and C(x4)



Please leave us a review if you like our products.
Please feel free to contact us if you have any question.



<https://gladiatorjoe.com>



US: +1 954 271 6612
CDN & International:
+1 514 494 1348



info@gladiatorjoe.com