

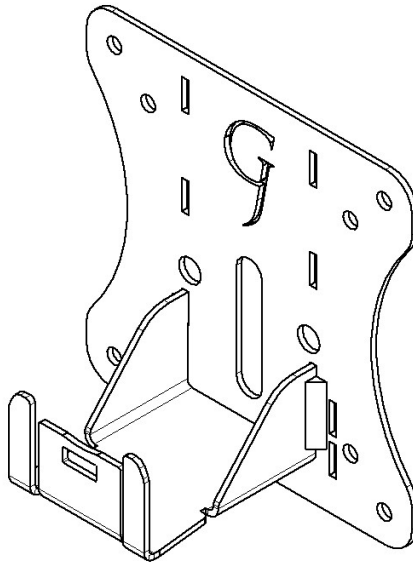
# GJ0A0127



## VESA MOUNT ADAPTER

GLADIATOR JOE

---



---

Fit the following models:

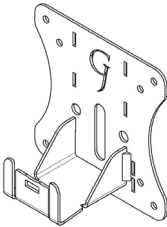
HP Pavilion 22xi, 20xi, 20fi, 20vx, 20bw, Envy 23, 22bw, 22vx, 23fi, 23bw, 23xi, 23vx, 22vc

## WARNING!

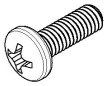
- To avoid danger of suffocation, keep these parts away from babies and children.
- Be aware of the sharp edges of the product.
- Check carefully to make sure that there are no missing or defective parts. Improper installation may cause problem.
- Do not hang something heavy on this product, which may exceed the weight capacity.
- Do not use this product for any other purpose that is not specified in this manual.

---

## PACKAGE CONTENTS



A (x1)  
Adapter Bracket

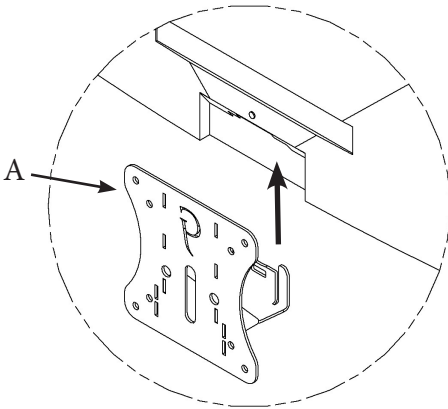


B (x4)  
M4 Panhead Screw



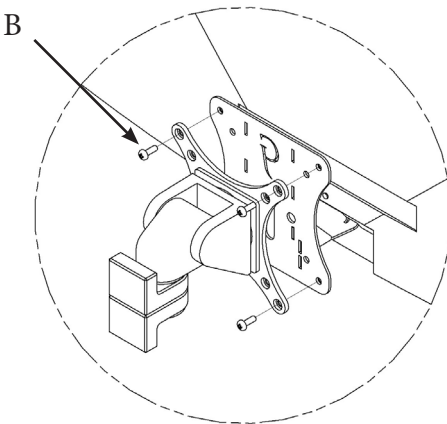
C (x4)  
M4 Hex Nut

## ASSEMBLY STEPS



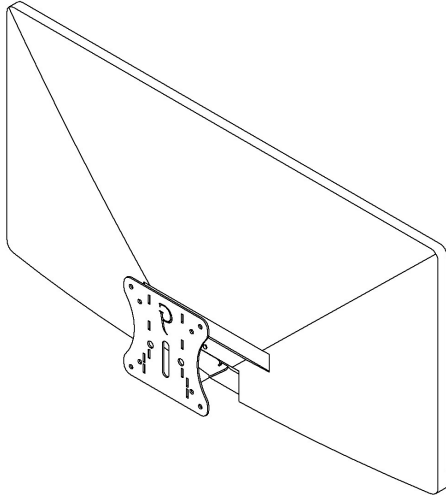
### ***Step 1***

Install Adapter A to your monitor



### ***Step 2***

Mount adapter to your arm with B(x4) and C(x4)



Please feel free to contact us  
if you have any question.



<https://gladiatorjoe.com>



US: +1 954 271 6612  
CDN & International:  
+1 514 494 1348



[info@gladiatorjoe.com](mailto:info@gladiatorjoe.com)