

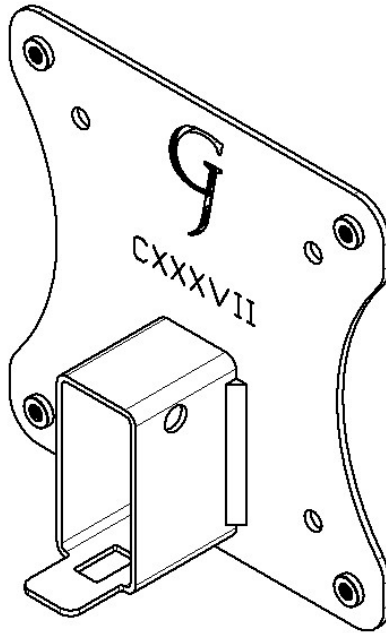
# GJ0A0137



## VESA MOUNT ADAPTER

GLADIATOR JOE

---



To access the product's user manual in French, please visit our website [www.gladiatorjoe.com](http://www.gladiatorjoe.com) and search for the product number

---

Fits the following models:

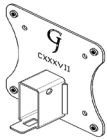
HP m22f **HP m24f** HP m27f HP m32f

**\*\*PLEASE MAKE SURE TO CHOOSE THE CORRECT HARDWARE PACKAGE(D OR H) FOR DIFFRENT MONITOR MODEL OR YOU WILL DAMAGE YOUR MONITOR!!**

## WARNING!

- To avoid danger of suffocation, keep these parts away from babies and children.
- Be aware of the sharp edges of the product.
- Check carefully to make sure that there are no missing or defective parts. Improper installation may cause problems.
- Do not hang something heavy on this product, which may exceed the weight capacity.
- Do not use this product for any other purpose that is not specified in this manual.

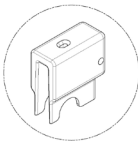
## PACKAGE CONTENTS



A (x1)  
Adapter Bracket



E (x1)  
M4 Rivet



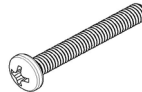
B (x1)  
GJ137 Plastic



F (x4)  
M4 x 12mm  
Panhead Screw



C (x1)  
Washer



G (x1)  
M4 x 30mm  
Panhead Screw



D (x1)  
M3 x 12mm flat  
head Screw (x1)

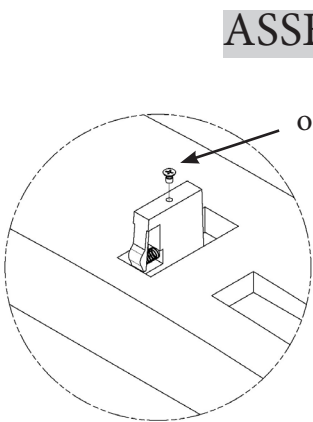


H (x1)  
M3 x 20mm flat  
head Screw (x1)

\*\* THERE ARE THREE PACKAGES OF THE HARDWARE.

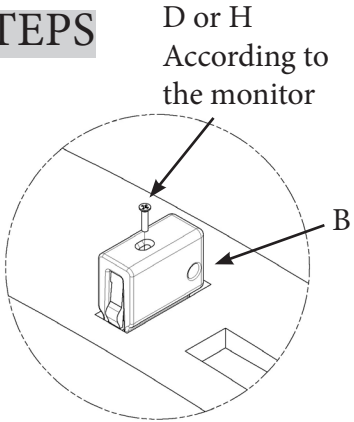
\*\*\*IMPORTANT PLEASE NOTE: ACCORDING TO YOUR MONITOR TO CHOOSE THE CORRECT M3 SCREW PROVIDED.

# ASSEMBLY STEPS



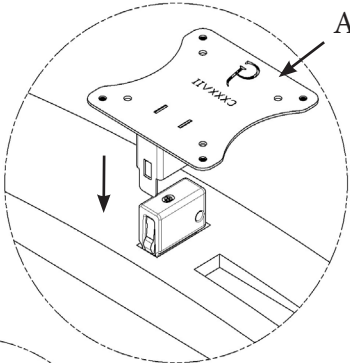
## STEP 1

Remove original monitor countersunk screw only, leave original plastic on.



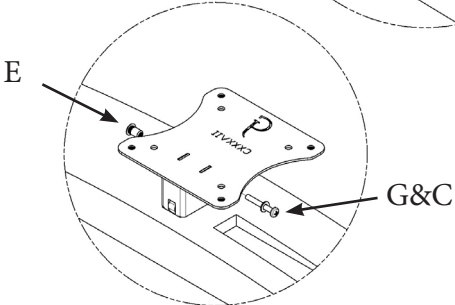
## STEP 2

Fix plastic B with D from the bottom of the plastic



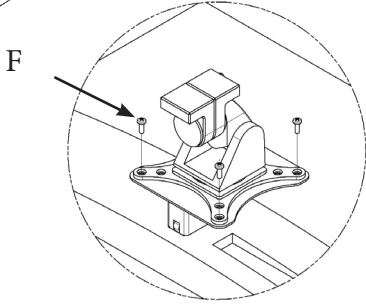
## STEP 3

Fit Adapter Bracket A to the plastic



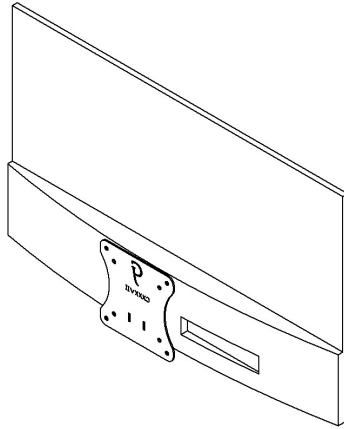
## STEP 4

Use E, G&C to install adapter on monitor from both side



## STEP 5

Mount adapter to your arm with F



Please leave us a review if you like our products.  
Please feel free to contact us if you have any question.



<https://gladiatorjoe.com/>



US: +1 954 271 6612  
CDN & International:  
+1 514 494 1348



[admin@gladiatorjoe.com](mailto:admin@gladiatorjoe.com)