

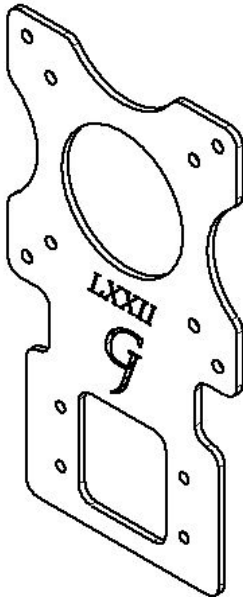
# GJ0A0072



## VESA MOUNT ADAPTER

GLADIATOR JOE

---



---

Fits the following models:

LG 24MP58VQ-P, LG 27MP58VQ-P

LG 24MP59G-P, LG 27MP59G-P LG 24MP60VQ-P

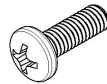
## WARNING!

- To avoid danger of suffocation, keep these parts away from babies and children.
- Be aware of the sharp edges of the product.
- Check carefully to make sure that there are no missing or defective parts. Improper installation may cause problems.
- Do not hang something heavy on this product, which may exceed the weight capacity.
- Do not use this product for any other purpose that is not specified in this manual.

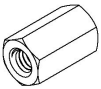
## PACKAGE CONTENTS



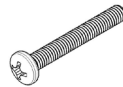
A (x1)  
Adapter Bracket



D (x2)  
12mm Panhead Screw



B (x2)  
Coupling Nut



E (x2)  
30mm Panhead Screw



C (x4)  
12mm Panhead Screw

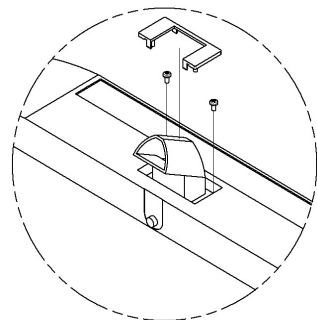


F (x4)  
Washer

## ASSEMBLY STEPS

### Step 1

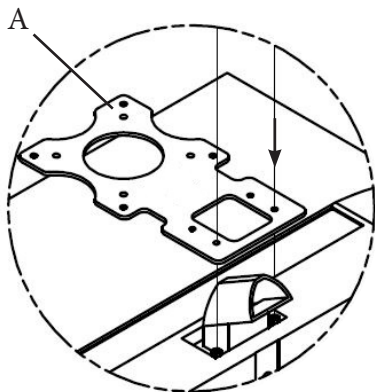
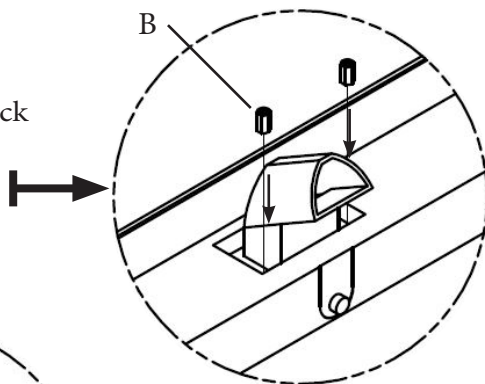
Remove the small cover and the two screws from the monitor



## ASSEMBLY STEPS

### Step 2

Insert B (x2) into the back of the monitor

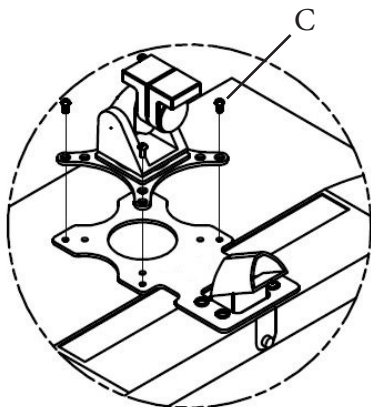
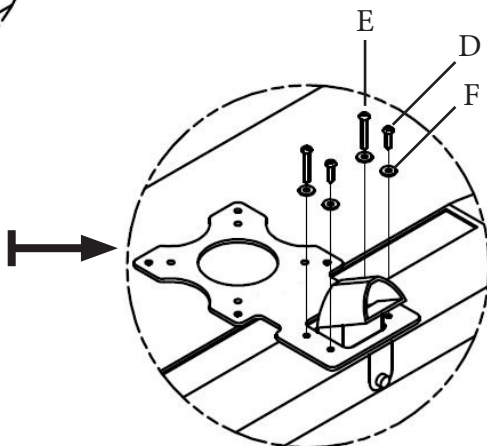


### Step 3

Put A onto the back of the monitor

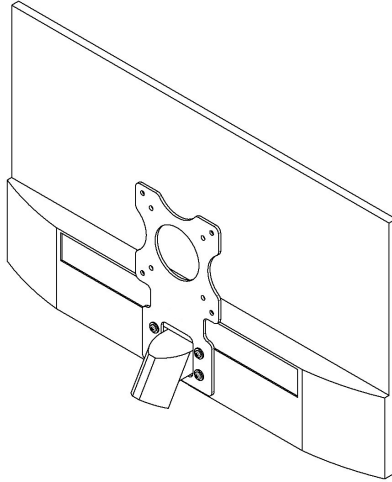
### Step 4

Use D (x2), E (x2) and F (x4) to fix the bracket.  
Note: Place correct screw lengths to proper location.



### Step 5

Mount adapter to your arm with C (x4)



Please leave us a review if you like our products.  
Please feel free to contact us if you have any question.



<https://gladiatorjoe.com>



US: +1 954 271 6612  
CDN & International:  
+1 514 494 1348



[info@gladiatorjoe.com](mailto:info@gladiatorjoe.com)