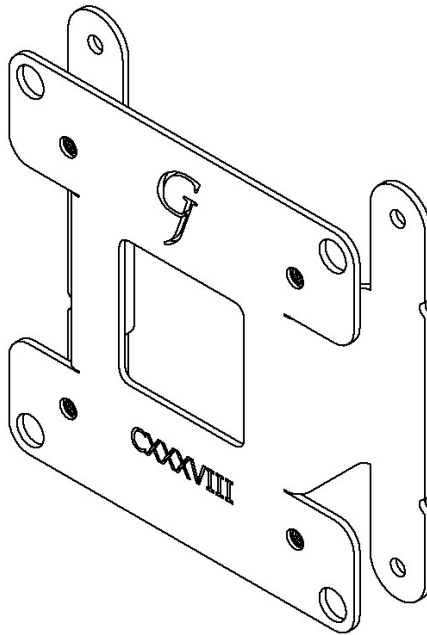


GJ0A0138



VESA MOUNT ADAPTER

GLADIATOR JOE



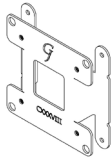
Fits the following models:

LG Gaming Curved Monitor, Dell, Z-Edge

WARNING!

- To avoid danger of suffocation, keep these parts away from babies and children.
 - Be aware of the sharp edges of the product.
 - Check carefully to make sure that there are no missing or defective parts. Improper installation may cause problems.
 - Do not hang something heavy on this product, which may exceed the weight capacity.
 - Do not use this product for any other purpose that is not specified in this manual.
-

PACKAGE CONTENTS



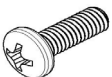
A (x1)
Adapter Bracket



B (x4)
M4 x 10mm Panhead Screw x 4



D (x4)
M4 Flat Washer



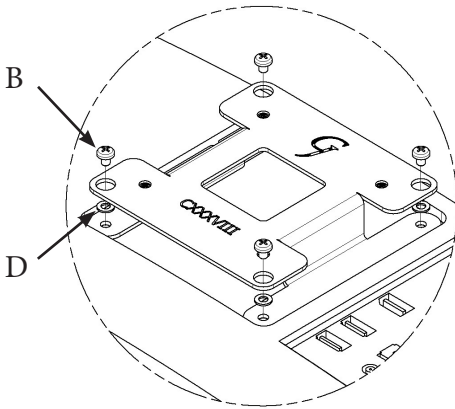
C (x4)
M4 x 12mm Panhead Screw x 4

ASSEMBLY STEPS

**Please note:*

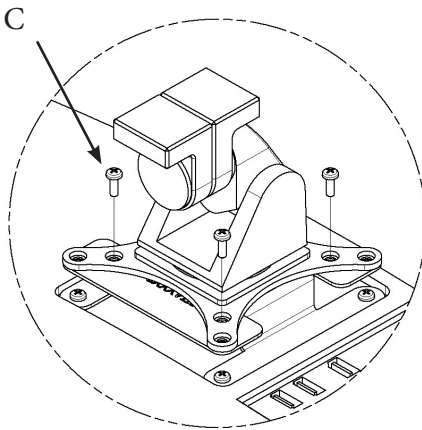
This adapter works for a variety of computer monitors.

The images below are a representation and may slightly differ from the actual monitor. The assembly process is the same.



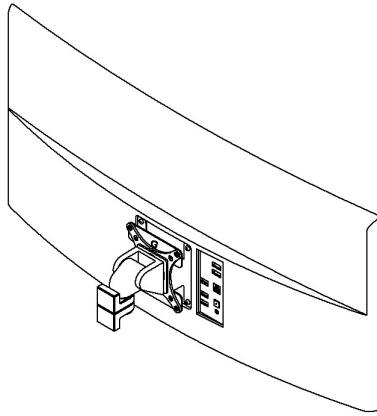
STEP 1

Install Adapter Bracket A to the Monitor with B(x4) & D(x4)



STEP 2

Mount adapter to your arm with C (x4)



Please leave us a review if you like our products.
Please feel free to contact us if you have any question.



<https://gladiatorjoe.com/>



US: +1 954 271 6612
CDN & International:
+1 514 494 1348



info@gladiatorjoe.com