

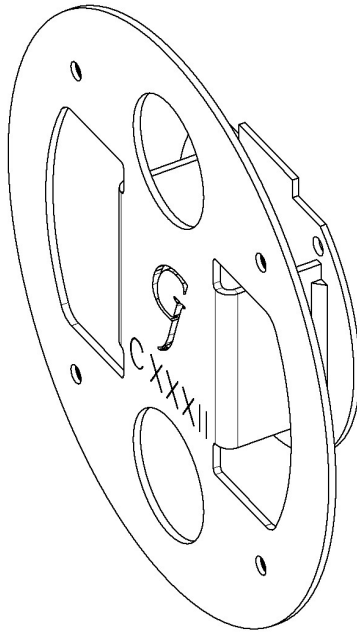
# GJ0A0132



## VESA MOUNT ADAPTER

GLADIATOR JOE

---



---

Fits the following models:

Samsung 27" CHG70, Samsung 32" CHG70

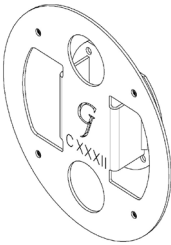
G70A 28" G7 27" G7 32"

## WARNING!

- To avoid danger of suffocation, keep these parts away from babies and children.
- Be aware of the sharp edges of the product.
- Check carefully to make sure that there are no missing or defective parts. Improper installation may cause problems.
- Do not hang something heavy on this product, which may exceed the weight capacity.
- Do not use this product for any other purpose that is not specified in this manual.

---

## PACKAGE CONTENTS



A (x1)  
Adapter Bracket

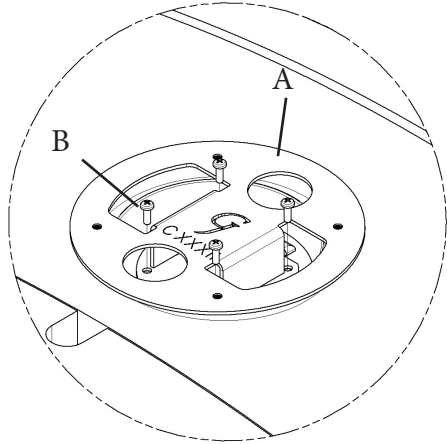


B(x8)  
M4 Panhead Screw

## ASSEMBLY STEPS

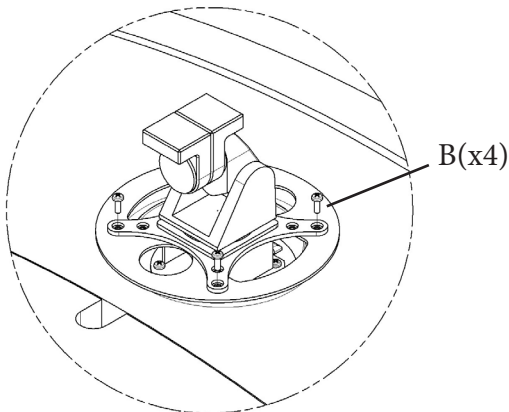
### Step 1

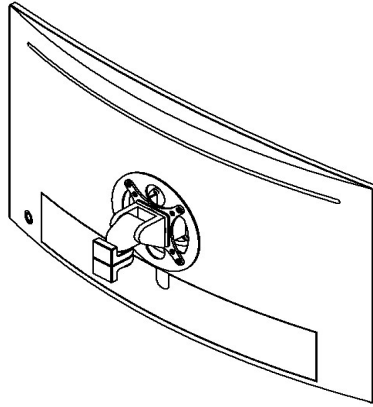
Remove the original monitor stand from the monitor, then install the Vesa adapter A to the monitor with B (x4).



### Step 2

Mount adapter to the arm with B (x4)





Please leave us a review if you like our products.  
Please feel free to contact us if you have any question.



<https://gladiatorjoe.com/>



US: +1 954 271 6612  
CDN & International:  
+1 514 494 1348



[info@gladiatorjoe.com](mailto:info@gladiatorjoe.com)