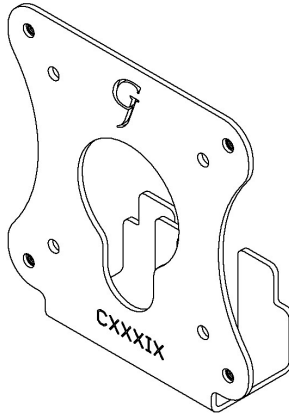


GJ0A0139



VESA MOUNT ADAPTER

GLADIATOR JOE



Fits the following models:

HP 32" 4WH45AA

WARNING!

- To avoid danger of suffocation, keep these parts away from babies and children.
- Be aware of the sharp edges of the product.
- Check carefully to make sure that there are no missing or defective parts. Improper installation may cause problems.
- Do not hang something heavy on this product, which may exceed the weight capacity.
- Do not use this product for any other purpose that is not specified in this manual.

PACKAGE CONTENTS



A (x1)
Adapter Bracket

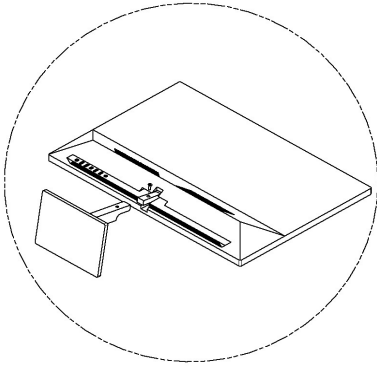


B (x5)
M4 x12mm
Screws



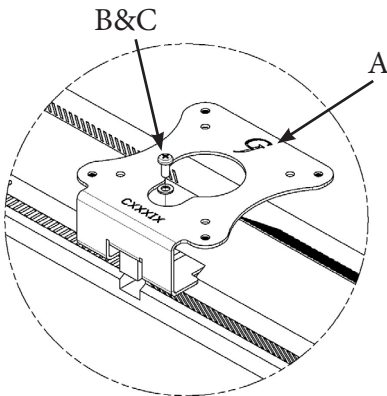
C (x1)
Washer

ASSEMBLY STEPS



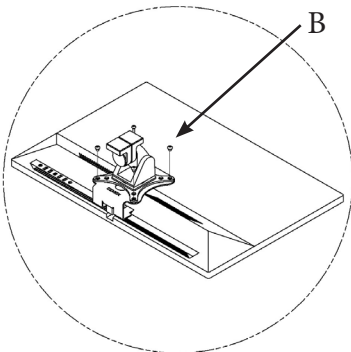
STEP 1

Remove the support stand from the monitor



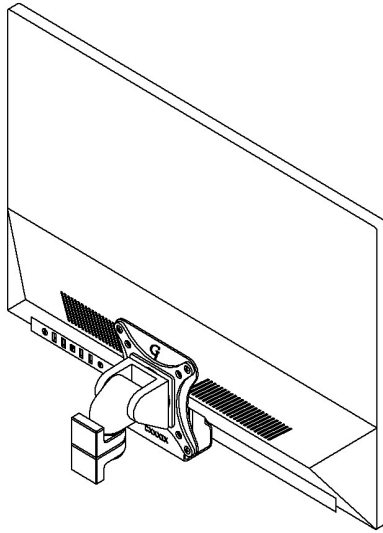
STEP 2

Then install A with B(x1) and C(x1), push the bottom of the VESA make sure it is stable



STEP 3

Mount adapter to your arm with B(x4)



Please leave us a review if you like our products.
Please feel free to contact us if you have any question.



<https://gladiatorjoe.com/>



US: +1 954 271 6612
CDN & International:
+1 514 494 1348



info@gladiatorjoe.com