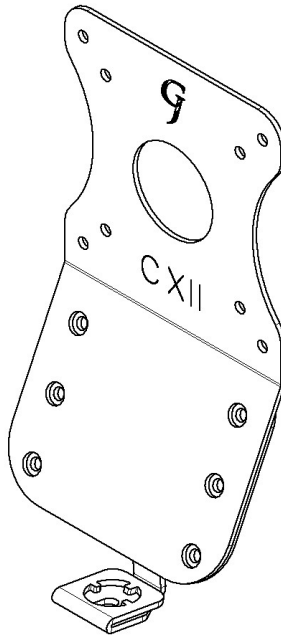


GJ0A0112



VESA MOUNT ADAPTER

GLADIATOR JOE

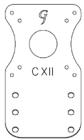


Fits the following models:
PHILIPS 276E8

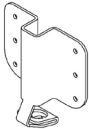
WARNING!

- To avoid danger of suffocation, keep these parts away from babies and children.
- Be aware of the sharp edges of the product.
- Check carefully to make sure that there are no missing or defective parts. Improper installation may cause problems.
- Do not hang something heavy on this product, which may exceed the weight capacity.
- Do not use this product for any other purpose that is not specified in this manual.

PACKAGE CONTENTS



A (x1)
Adapter Plate



B (x1)
Adapter Bracket



C (x10)
M4 Panhead Screw



D (x10)
Washer

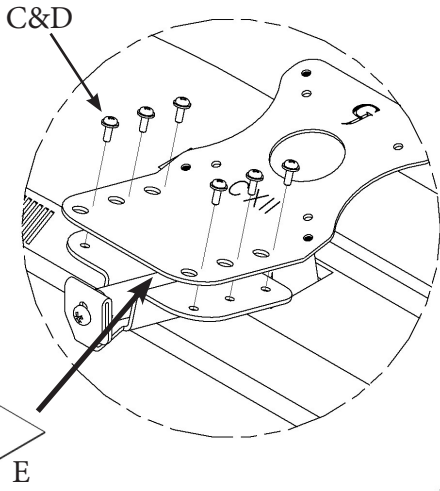
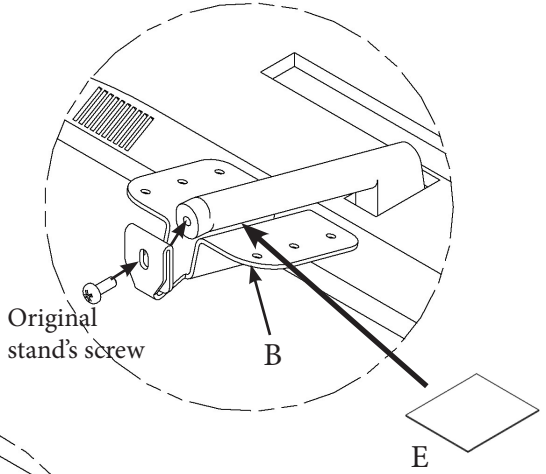


E (X2)
Black cloth

ASSEMBLY STEPS

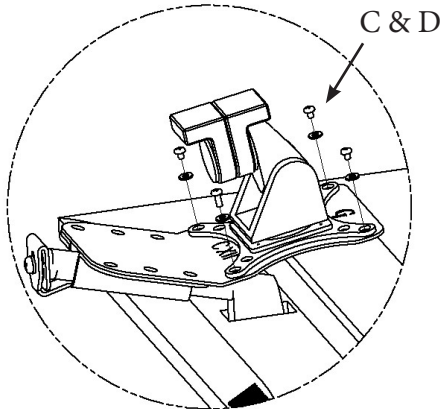
Step 1

Put E(x1) in between the stand and the bracket. Then install B from the bottom with original stand's screw.



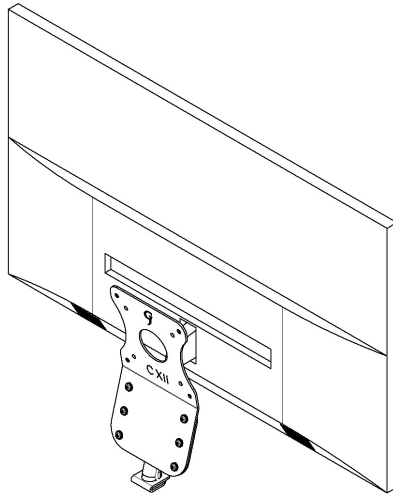
Step 2

Put one E(x1) on the upper side of the stand. Then screw the bracket on to it with C (x6) & D (x6).



Step 3

Mount adapter to your arm with C (x4) and D (x4).



Please leave us a review if you like our products.
Please feel free to contact us if you have any question.



<https://gladiatorjoe.com/>



US: +1 954 271 6612
CDN & International:
+1 514 494 1348



info@gladiatorjoe.com