

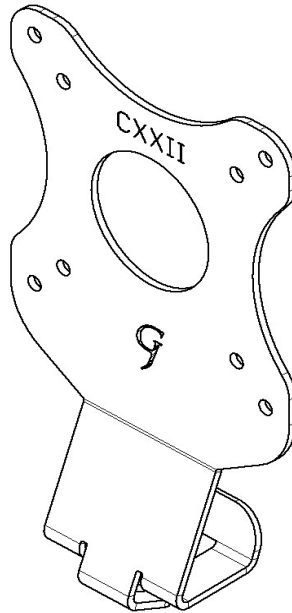
# GJ0A0122



## VESA MOUNT ADAPTER

GLADIATOR JOE

---



---

Fits the following models:

ViewSonic VX3216-SCMH

## WARNING!

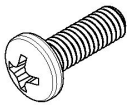
- To avoid danger of suffocation, keep these parts away from babies and children.
- Be aware of the sharp edges of the product.
- Check carefully to make sure that there are no missing or defective parts. Improper installation may cause problems.
- Do not hang something heavy on this product, which may exceed the weight capacity.
- Do not use this product for any other purpose that is not specified in this manual.

---

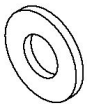
## PACKAGE CONTENTS



A (x1)  
Adapter Plate



B (x4)  
M4 Panhead Screw

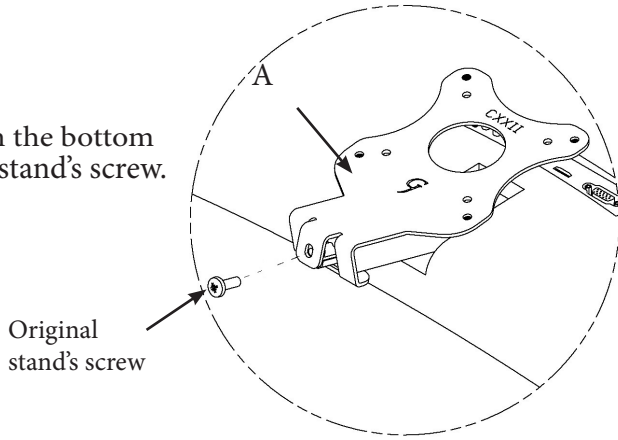


C (x4)  
Washer

## ASSEMBLY STEPS

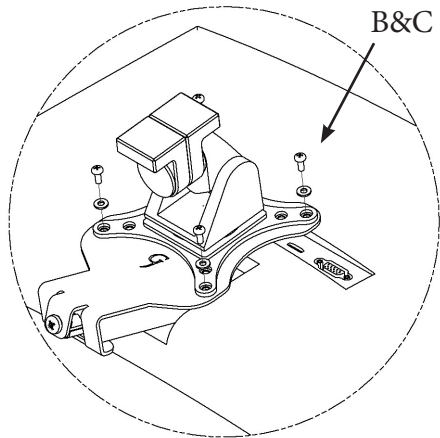
### Step 1

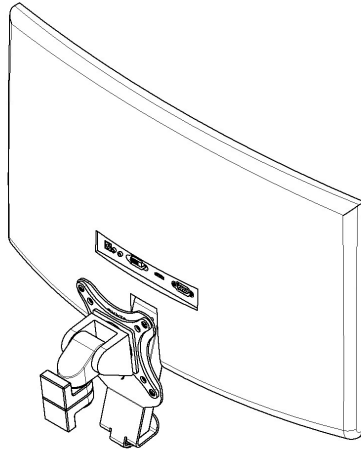
Install A from the bottom with original stand's screw.



### Step 2

Mount adapter to your arm with B (x4) and C (x4).





Please leave us a review if you like our products.  
Please feel free to contact us if you have any question.



<https://gladiatorjoe.com/>



US: +1 954 271 6612  
CDN & International:  
+1 514 494 1348



[info@gladiatorjoe.com](mailto:info@gladiatorjoe.com)