

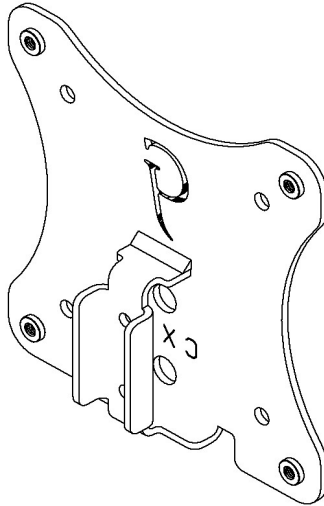
# GJ0A0141



## VESA MOUNT ADAPTER

GLADIATOR JOE

---



---

Fits the following models:

MSI Optix Series Monitor:

MAG341CQ

AG32C AG32CQ G24C G27C G27C2

## WARNING!

- To avoid danger of suffocation, keep these parts away from babies and children.
- Be aware of the sharp edges of the product.
- Check carefully to make sure that there are no missing or defective parts. Improper installation may cause problems.
- Do not hang something heavy on this product, which may exceed the weight capacity.
- Do not use this product for any other purpose that is not specified in this manual.

---

## PACKAGE CONTENTS



A (x1)  
Adapter Bracket



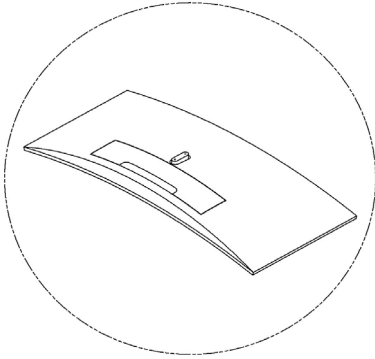
B (x6)  
M4 x12mm  
Screws



C (x2)  
Washer

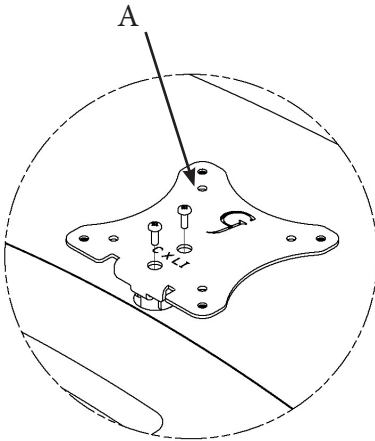
***\*Please note: This adapter works for a variety of computer monitors. The images below are a representation and may slightly differ from the actual monitor. The assembly process is the same***

# ASSEMBLY STEPS



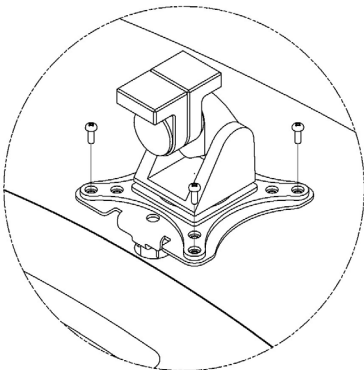
## **STEP 1**

Remove the support stand from the monitor



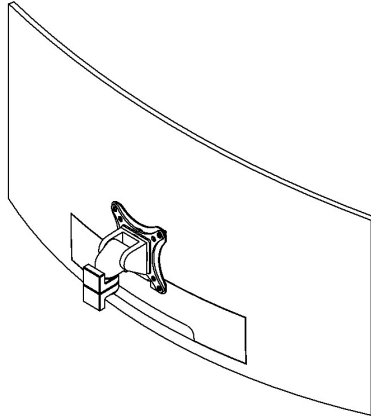
## **STEP 2**

Then install A with B(x2) and C(x2)



## **STEP 3**

Mount adapter to your arm with B(x4)



Please leave us a review if you like our products.  
Please feel free to contact us if you have any question.



<https://gladiatorjoe.com/>



US: +1 954 271 6612  
CDN & International:  
+1 514 494 1348



[info@gladiatorjoe.com](mailto:info@gladiatorjoe.com)