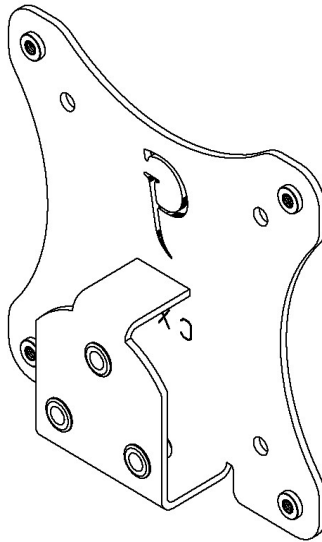


GJOA0140



VESA MOUNT ADAPTER

GLADIATOR JOE



Fits the following models:

MSI Optix MAG342CQR (3DB6),

MSI Optix MAG342CQRV (3DB6)

WARNING!

- To avoid danger of suffocation, keep these parts away from babies and children.
- Be aware of the sharp edges of the product.
- Check carefully to make sure that there are no missing or defective parts. Improper installation may cause problems.
- Do not hang something heavy on this product, which may exceed the weight capacity.
- Do not use this product for any other purpose that is not specified in this manual.

PACKAGE CONTENTS



A (x1)
Adapter Bracket

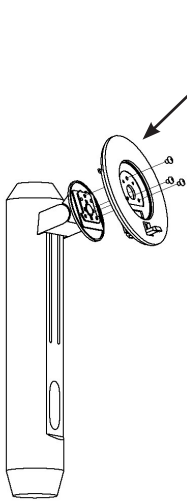


B (x7)
M4 x12mm
Screws



C (x3)
M4 Washers

REMOVE ORIGINAL STAND

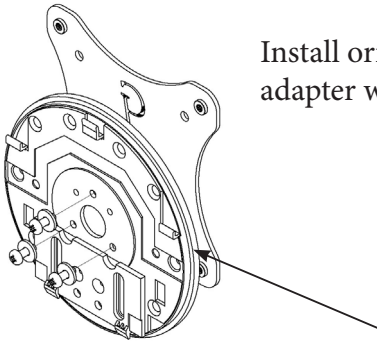


The original plate

STEP 1

Use screwdriver to uninstall all the factory screws, then take off the original plate from the stand

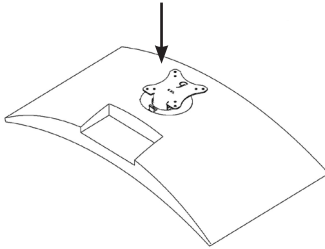
STEP 2



Install original plate on your adapter with B(x3) and C(x3)

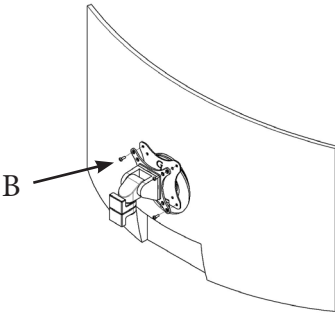
The original plate

ASSEMBLY STEPS



STEP 1

Push the lock button to install adapter on your monitor



STEP 3

Mount adapter to your arm with B (x4)



<https://gladiatorjoe.com/>



US: +1 954 271 6612
CDN & International:
+1 514 494 1348



info@gladiatorjoe.com