

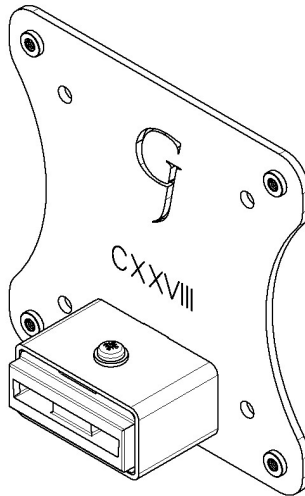
# GJ0A0128



## VESA MOUNT ADAPTER

GLADIATOR JOE

---



---

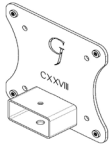
Fits the following models:

HP Pavilion 32F

## WARNING!

- To avoid danger of suffocation, keep these parts away from babies and children.
- Be aware of the sharp edges of the product.
- Check carefully to make sure that there are no missing or defective parts. Improper installation may cause problems.
- Do not hang something heavy on this product, which may exceed the weight capacity.
- Do not use this product for any other purpose that is not specified in this manual.

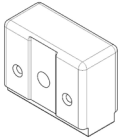
## PACKAGE CONTENTS



A (x1)  
Adapter Bracket



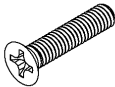
E (x1)  
M4 Rivet



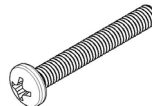
B (x1)  
GJ0128 Plastic



F (x4)  
M4 x 16mm  
Panhead Screw



C (x2)  
M3 x 12mm Flat  
Countersunk  
Head Screws

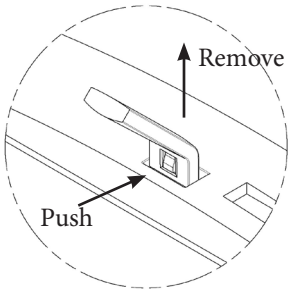


G (x1)  
M4 x 30mm  
Panhead Screw



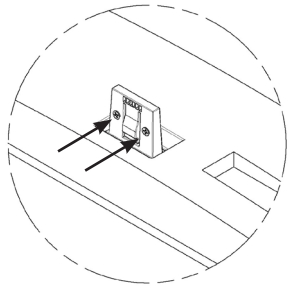
D (x1)  
M4 Flat Washer

# REMOVE ORIGINAL STAND



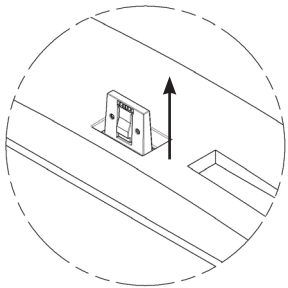
## **STEP 1**

Remove the original base, then push this button to remove the original stand



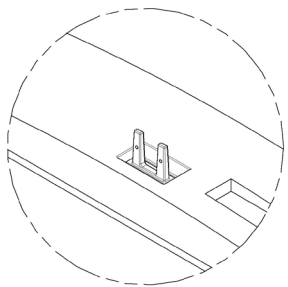
## **STEP 2**

Use your screwdriver to uninstall two factory screws



## **STEP 3**

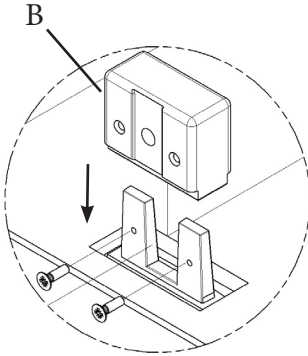
Take off the original plastic from the monitor



## **STEP 4**

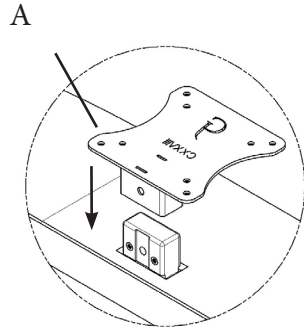
Clean your monitor and prepare to install the adapter

## ASSEMBLY STEPS



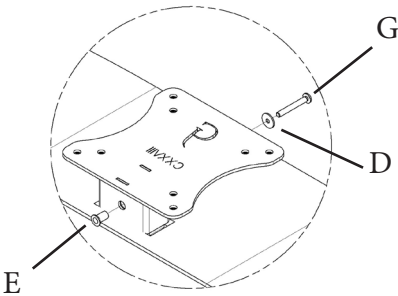
### STEP 1

Install B (x1) on the metal prongs, then install C(x2) to the plastic B. *Ensure the screws are flush to the plastic*



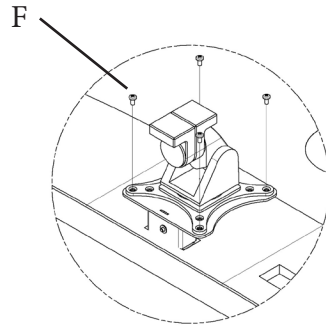
### STEP 2

Install A (x1) over the installed plastic



### STEP 3

Install E (x1), G (x1) and D(x1) to the adapter as shown in the picture



### STEP 4

Mount adapter to your arm with F (x4).



US: +1 954 271 6612  
 CDN & International:  
 +1 514 494 1348



info@gladiatorjoe.com  
<https://gladiatorjoe.com/>