

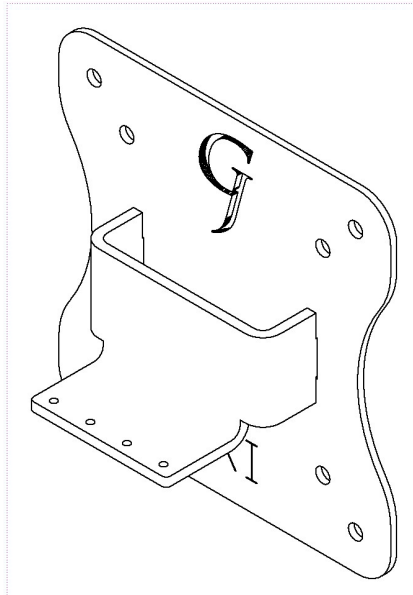
# GJ0A0111



## VESA MOUNT ADAPTER

GLADIATOR JOE

---



---

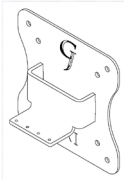
Fit the following models:  
HP Pavilion 23.8" FHD IPS All-in-One

## WARNING!

- To avoid danger of suffocation, keep these parts away from babies and children.
- Be aware of the sharp edges of the product.
- Check carefully to make sure that there are no missing or defective parts. Improper installation may cause problem.
- Do not hang something heavy on this product, which may exceed the weight capacity.
- Do not use this product for any other purpose that is not specified in this manual.

---

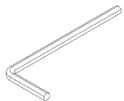
## PACKAGE CONTENTS



A (x1)  
Adapter Bracket



B (x4)  
M4 Panhead Screw

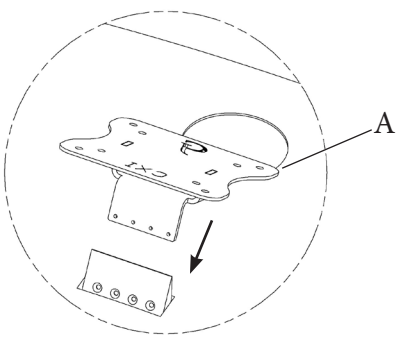


C (x1)  
L-Key



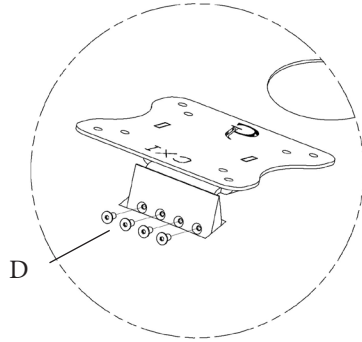
D (x4)  
M4 Flat head Screw

# ASSEMBLY STEPS



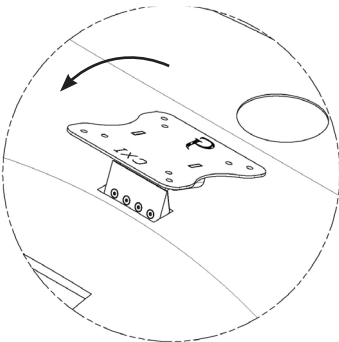
## Step 1

Install Adapter A to the computer original connector



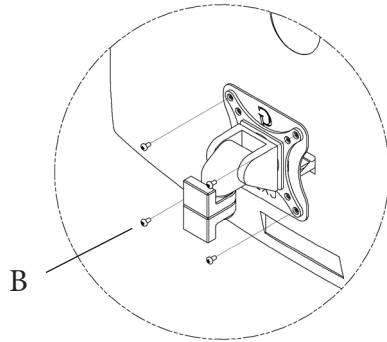
## Step 2

Use the tool C to fix D(x4) to the stand as shown in the picture



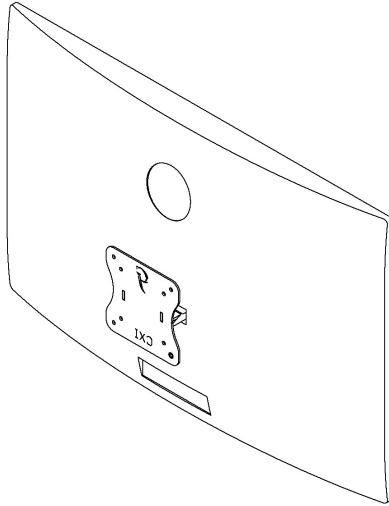
## Step 3

Slowly tilte adapter until its horizontal to the monitor back



## Step 4

Mount adapter to your arm with B(x4)



Please feel free to contact us  
if you have any question.



<https://gladiatorjoe.com>



US: +1 954 271 6612  
CDN & International:  
+1 514 494 1348



[info@gladiatorjoe.com](mailto:info@gladiatorjoe.com)