

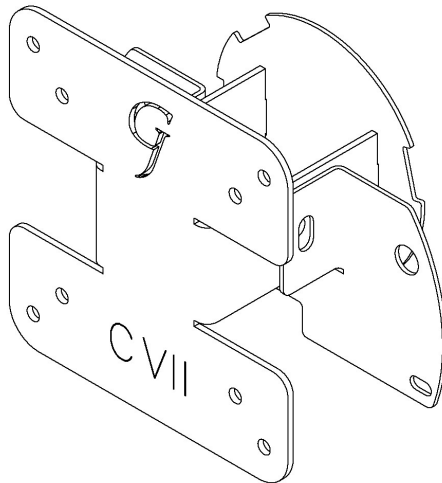
GJ0A0107



VESA MOUNT ADAPTER

Design Patent Pending

GLADIATOR JOE

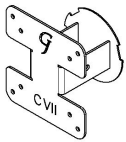


Fits the following models:
C27H711,

WARNING!

- To avoid danger of suffocation, keep these parts away from babies and children.
- Be aware of the sharp edges of the product.
- Check carefully to make sure that there are no missing or defective parts. Improper installation may cause problems.
- Do not hang something heavy on this product, which may exceed the weight capacity.
- Do not use this product for any other purpose that is not specified in this manual.

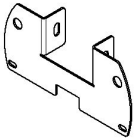
PACKAGE CONTENTS



A (x1)
Adapter Bracket



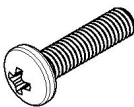
E (x4)
Washer



B (x1)
Adapter Plate

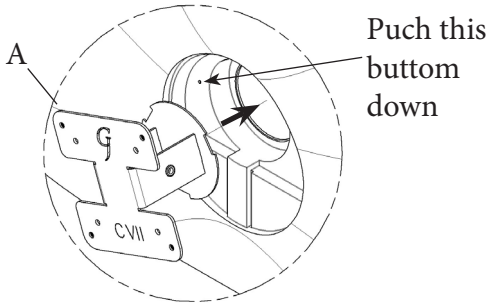


C (x6)
M4 Panhead Screw

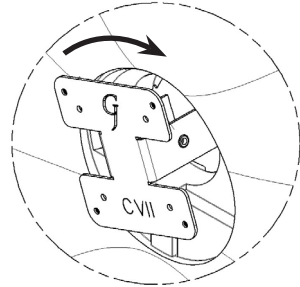


D (x2)
M3 Panhead Screw

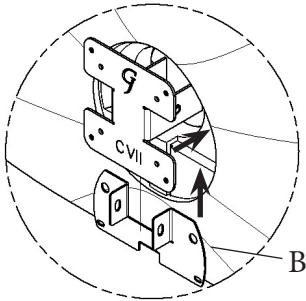
ASSEMBLY STEPS



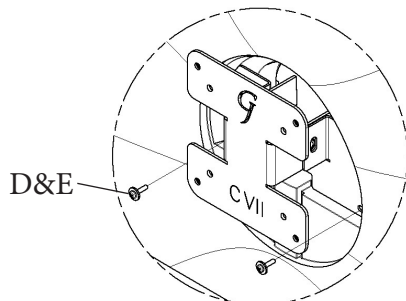
STEP 1
Install A at about 20 degrees anticlockwise to the monitor



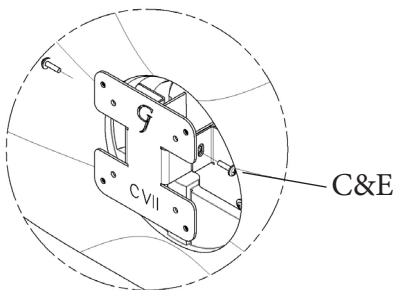
STEP 2
Turn clockwise and lock adapter to the monitor



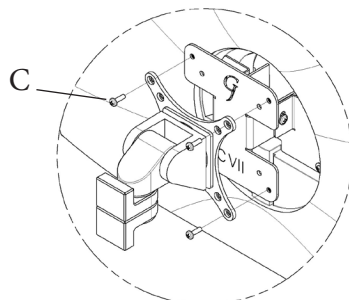
STEP 3
Install B from the bottom, then push it to attach the monitor.



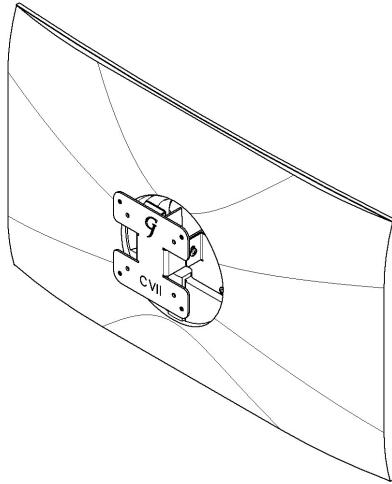
STEP 4
Install D(x2)&E(x2) to the monitor



STEP 5
Install C(x2)&E(x2) to the adapter



STEP 6
Mount adapter to your arm with C(x4)



Please leave us a review if you like our products.
Please feel free to contact us if you have any question.



<https://gladiatorjoe.com>



US: +1 954 271 6612
CDN & International:
+1 514 494 1348



info@gladiatorjoe.com