

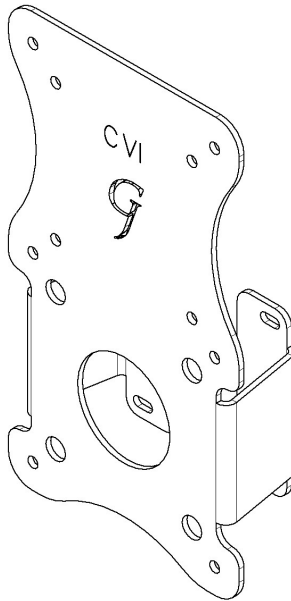
GJ0A0106



VESA MOUNT ADAPTER

Conversion adapter from 75 x 75mm
to 100 x 100mm

GLADIATOR JOE



Fits the following models:

For monitors with 75mm x 75mm vesa holes

AOC C32V1Q, Samsung U28E590D

WARNING!

- To avoid danger of suffocation, keep these parts away from babies and children.
- Be aware of the sharp edges of the product.
- Check carefully to make sure that there are no missing or defective parts. Improper installation may cause problems.
- Do not hang something heavy on this product, which may exceed the weight capacity.
- Do not use this product for any other purpose that is not specified in this manual.

PACKAGE CONTENTS



A (x1)
Adapter Bracket

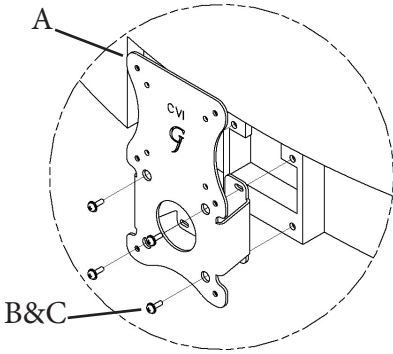


B (x8)
M4 x 12mm Panhead Screw



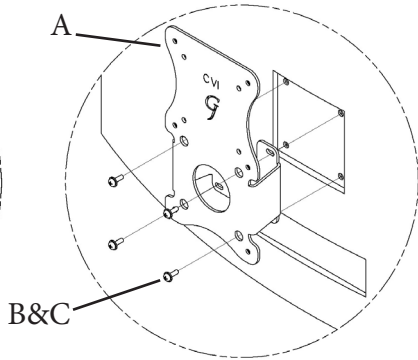
C (x4)
M4 Flat Washer

ASSEMBLY STEPS



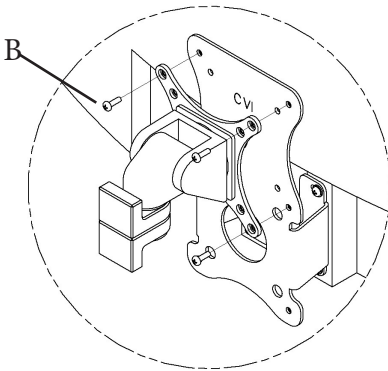
Step 1

Install A to the 75 x 75mm vesa holes in the monitor (depend on vesa hole location in different monitor)



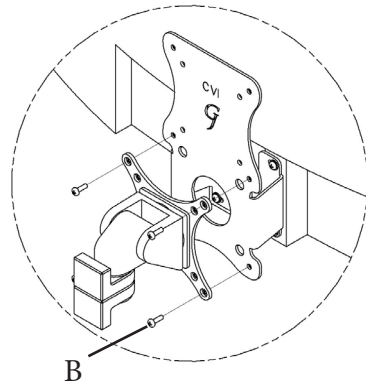
Step 1-1

OR
Install A to the 75 x 75mm vesa holes in the monitor (depend on vesa hole location in different monitor)



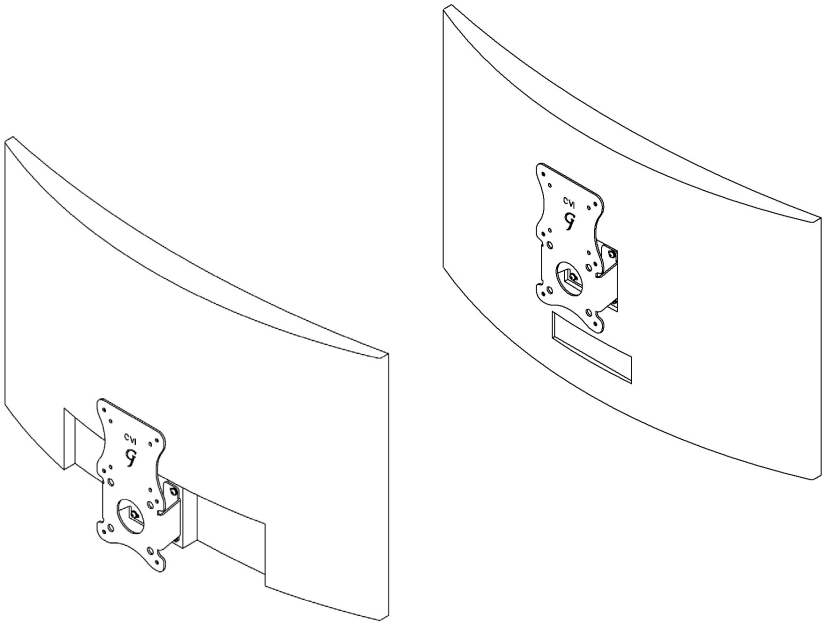
Step 2

Mount adapter to your arm with B (x4) in the higher position



Step 2-1

OR
Mount adapter to your arm with B (x4) in the lower position



Please leave us a review if you like our products.
Please feel free to contact us if you have any question.



<https://gladiatorjoe.com>



US: +1 954 271 6612
CDN & International:
+1 514 494 1348



info@gladiatorjoe.com