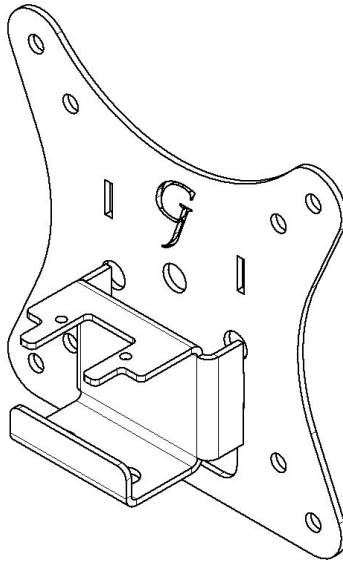


GJ0A0105



VESA MOUNT ADAPTER

GLADIATOR JOE



Fit the following models:
DELL S2419HM,

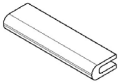
WARNING!

- To avoid danger of suffocation, keep these parts away from babies and children.
- Be aware of the sharp edges of the product.
- Check carefully to make sure that there are no missing or defective parts. Improper installation may cause problem.
- Do not hang something heavy on this product, which may exceed the weight capacity.
- Do not use this product for any other purpose that is not specified in this manual.

PACKAGE CONTENTS



A (x1)
Adapter Bracket



B (x1)
Rubber



C (x2)
M3 Screw



D (x4)
M4 Panhead Screw

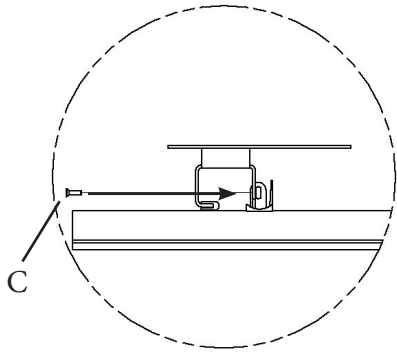
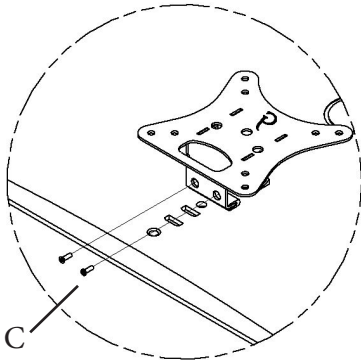
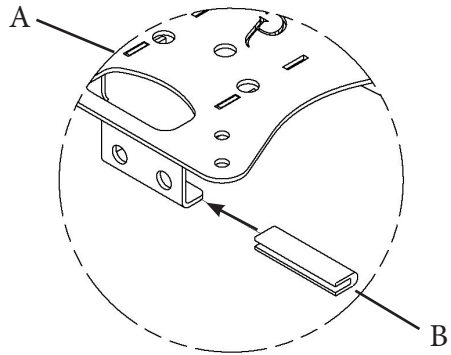


E (x4)
M4 Hex Nut

ASSEMBLY STEPS

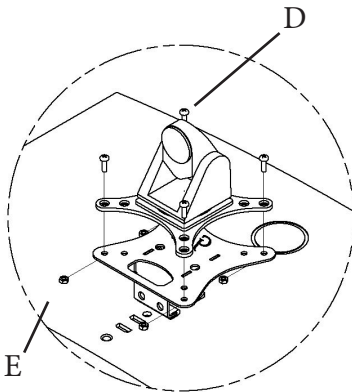
Step 1

Install B (x1) into the bottom of Adapter A



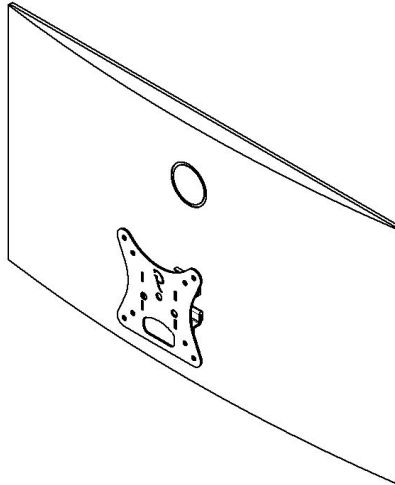
Step 2

Install A to the monitor as the picture shows. Then install C(x2) to the bracket and monitor stand



Step 3

Mount adapter to your arm with D (x4) and E (x4)



Please feel free to contact us if you have any question.



<https://gladiatorjoe.com>



US: +1 954 271 6612
CDN & International:
+1 514 494 1348



info@gladiatorjoe.com