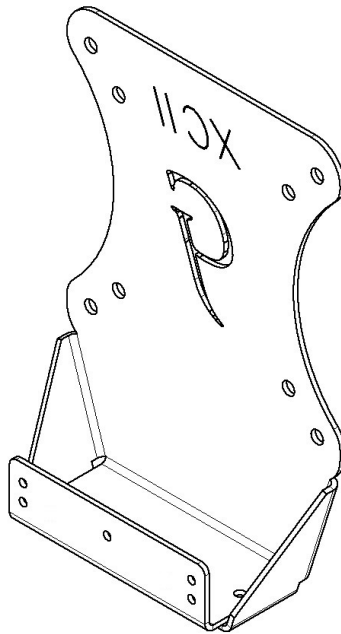


GJ0A0092



VESA MOUNT ADAPTER

GLADIATOR JOE



Fits the following models:

Lenovo, L24q-10, L24q-20, L24i-10, L24i-20

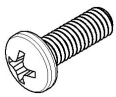
WARNING!

- To avoid danger of suffocation, keep these parts away from babies and children.
- Be aware of the sharp edges of the product.
- Check carefully to make sure that there are no missing or defective parts. Improper installation may cause problems.
- Do not hang something heavy on this product, which may exceed the weight capacity.
- Do not use this product for any other purpose that is not specified in this manual.

PACKAGE CONTENTS



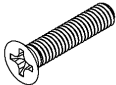
A (x1)
Adapter Bracket



B (x4)
M4 x12mm
Screws



C (x4)
M4 Hex Nut

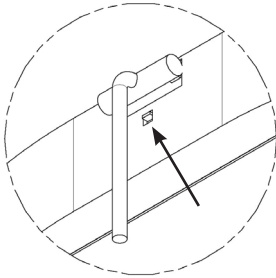


D (x5)
M3 x 8mm
Screw



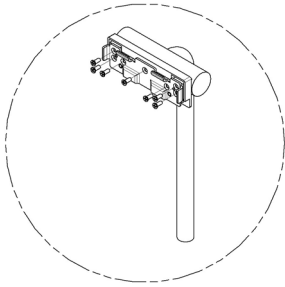
E (x5)
M3 Hex Nut

REMOVE ORIGINAL STAND



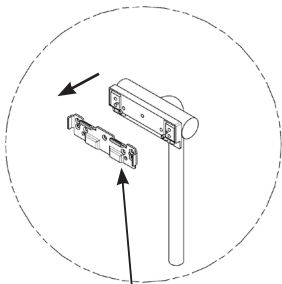
STEP 1

Remove the original base, then push this button to remove the original stand



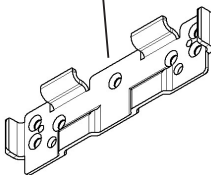
STEP 2

Use your screwdriver to uninstall all factory screws



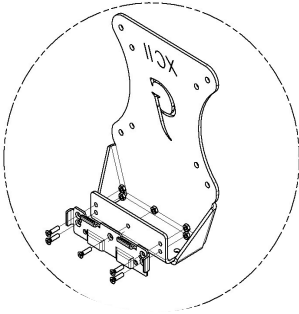
STEP 3

Take off the original metal piece from the stand



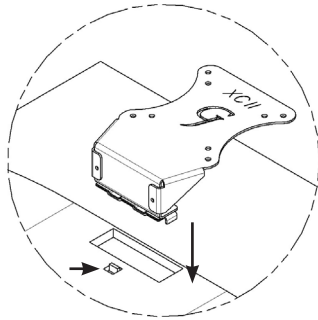
Keep this metal for the next step

ASSEMBLY STEPS



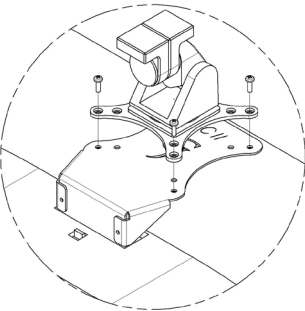
STEP 1

Install original metal piece on your adapter with D (x5) and E (x5)



STEP 2

Push the lock button to install adapter on your monitor



STEP 3

Mount adapter to your arm with B (x4) & C (x4)



<https://gladiatorjoe.com/>



US: +1 954 271 6612
CDN & International:
+1 514 494 1348



info@gladiatorjoe.com