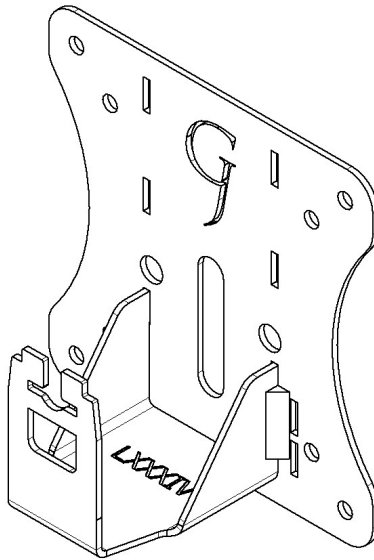


GJ0A0084



VESA MOUNT ADAPTER

GLADIATOR JOE



Fit the following models:

Dell S2218H, S2318H, S2318HX, S2318HN, S2318NX,
S2418HX, S2418HN, S2418NX, S2718HX, S2718HN, S2718NX

WARNING!

- To avoid danger of suffocation, keep these parts away from babies and children.
- Be aware of the sharp edges of the product.
- Check carefully to make sure that there are no missing or defective parts. Improper installation may cause problem.
- Do not hang something heavy on this product, which may exceed the weight capacity.
- Do not use this product for any other purpose that is not specified in this manual.

PACKAGE CONTENTS



A (x1)
Adapter Bracket

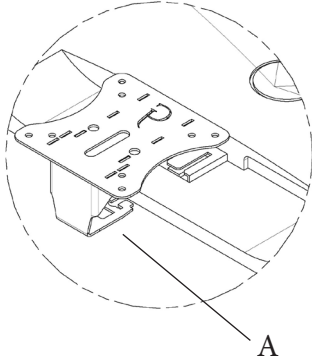


B (x4)
M4 Panhead Screw



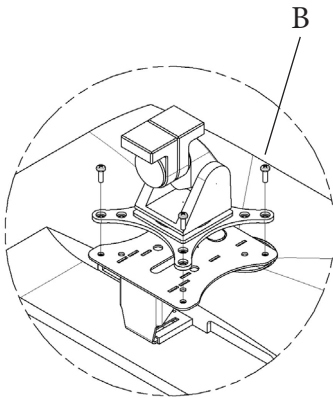
C (x4)
M4 Hex Nut

ASSEMBLY STEPS



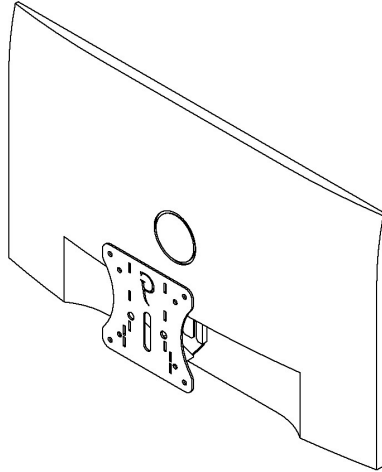
Step 1

Install Adapter A to your monitor



Step 2

Mount adapter to your arm with B(x4) and C(x4)



Please feel free to contact us
if you have any question.



<https://gladiatorjoe.com>



US: +1 954 271 6612
CDN & International:
+1 514 494 1348



info@gladiatorjoe.com