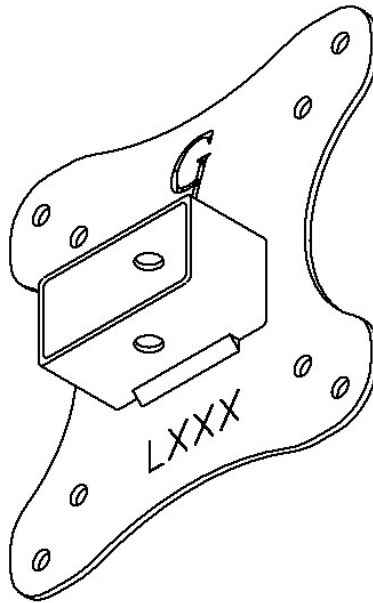


GJOA0080



VESA MOUNT ADAPTER

GLADIATOR JOE



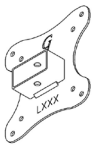
Fits the following models:

ACER H277HU, H275HU, H277H smidx

WARNING!

- To avoid danger of suffocation, keep these parts away from babies and children.
- Be aware of the sharp edges of the product.
- Check carefully to make sure that there are no missing or defective parts. Improper installation may cause problems.
- Do not hang something heavy on this product, which may exceed the weight capacity.
- Do not use this product for any other purpose that is not specified in this manual.

PACKAGE CONTENTS



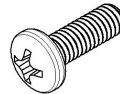
A (x1)
Adapter Bracket



E (x1)
M4 Rivet



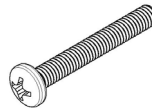
B (x1)
GJ80 Plastic



F (x4)
M4 x 12mm
Panhead Screw



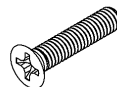
C (x4)
M4 Hex Nut



G (x1)
M4 x 30mm
Panhead Screw



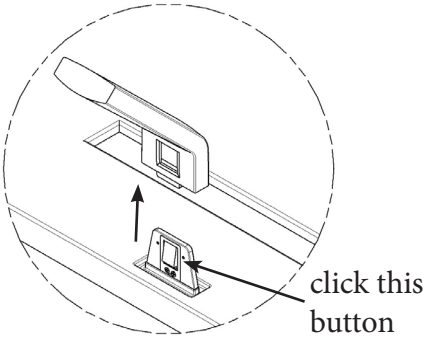
D (x1)
Washer



H (x2)
M2 x 13mm
Panhead Screw

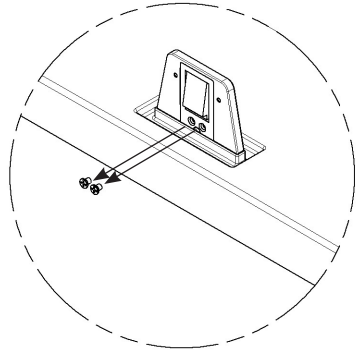
REMOVE ORIGINAL BRACKET

**Please note: This adapter works for a variety of computer monitors. The images below are a representation and may slightly differ from the actual monitor. The assembly process is the same*



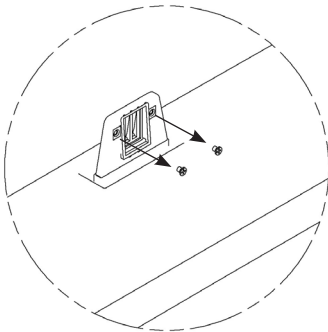
STEP 1

Remove original monitor base and stand



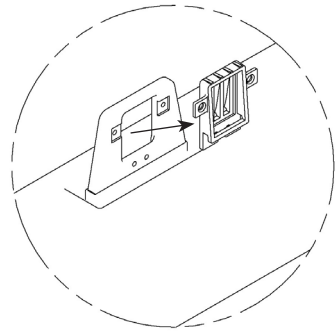
STEP 2

Uninstall two original screws in the bottom



STEP 3

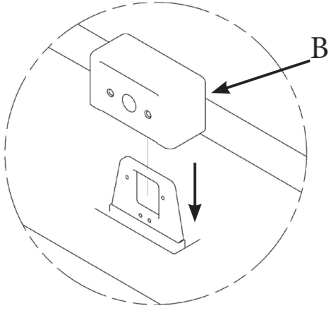
Uninstall two original screws in the top



STEP 4

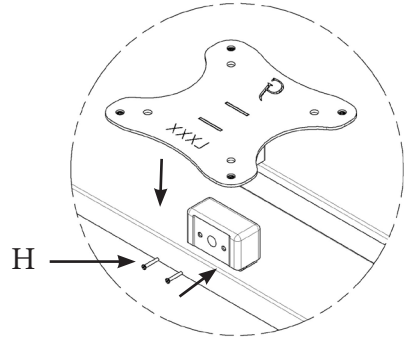
Remove original plastic from the monitor

ASSEMBLY STEPS



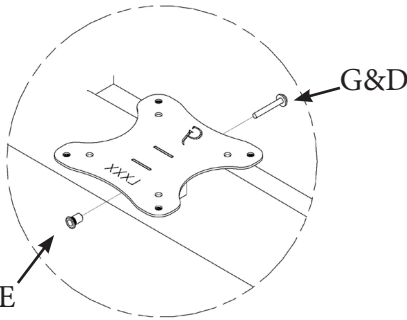
STEP 1

Remove original monitor stand and place B to the monitor back



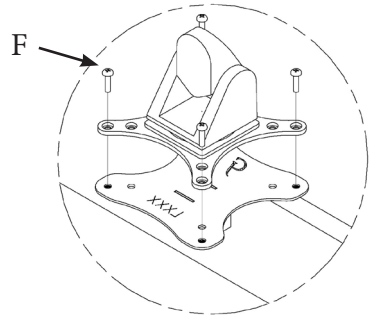
STEP 2

Install H (x2) and adapter A to the plastic



STEP 3

Use E, G&D to install adapter on monitor from both side



STEP 4

Mount adapter to your arm with F(x4) and C(x4)



<https://gladiatorjoe.com/>



US: +1 954 271 6612
CDN & International:
+1 514 494 1348



info@gladiatorjoe.com