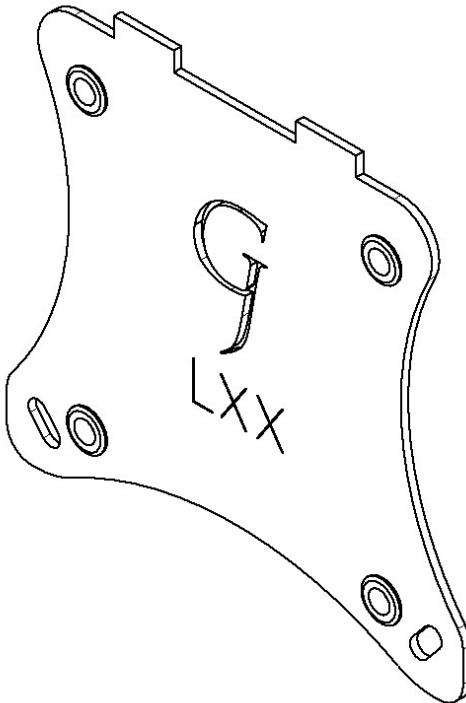


GJOA0070



VESA MOUNT ADAPTER

GLADIATOR JOE



Fits the following models:

Samsung 24" S24C750P

Samsung 27" S27C750P

WARNING!

- To avoid danger of suffocation, keep these parts away from babies and children.
- Be aware of the sharp edges of the product.
- Check carefully to make sure that there are no missing or defective parts. Improper installation may cause problems.
- Do not hang something heavy on this product, which may exceed the weight capacity.
- Do not use this product for any other purpose that is not specified in this manual.

PACKAGE CONTENTS

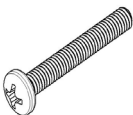


A (x1)
Adapter Bracket



B(x4)
M4 x 12mm
Panhead Screw

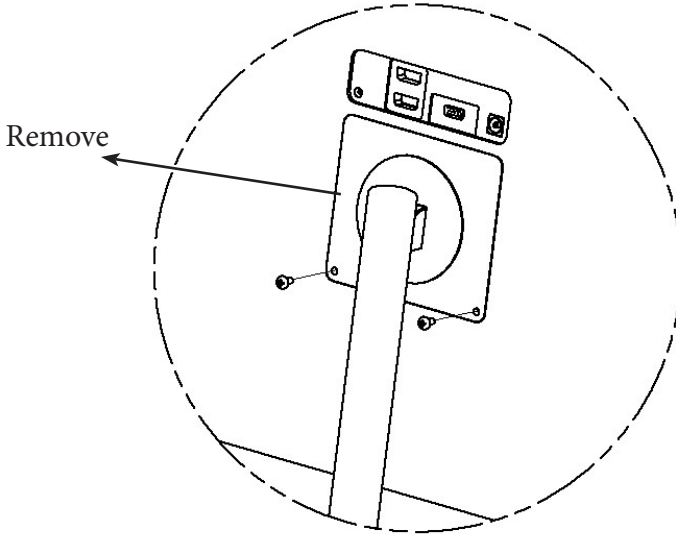
Note: Please choose the Screw according to the arm bracket.



B(x4)
M4 x 25mm
Panhead Screw

REMOVE ORIGINAL BRACKET

**Please note: This adapter works for a variety of computer monitors. The images below are a representation and may slightly differ from the actual monitor. The assembly process is the same*



STEP 1

Uninstall the two original screws

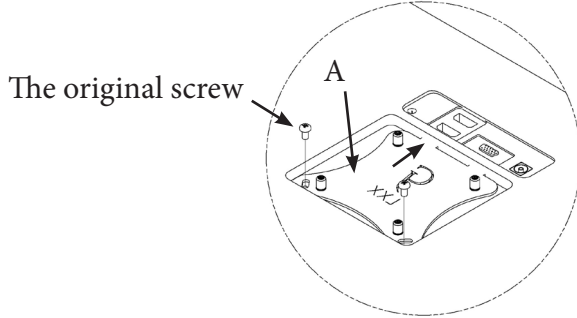
STEP 2

Uninstall the original stand from the monitor

ASSEMBLY STEPS

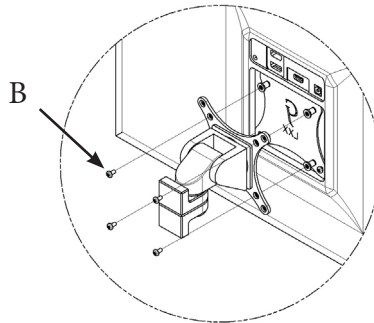
STEP 1

Remove the original monitor stand and use the original screws to place Adapter Bracket (A) to the monitor



STEP 2

Mount adapter to your arm with B(x4)



<https://gladiatorjoe.com/>



US: +1 954 271 6612
CDN & International:
+1 514 494 1348



info@gladiatorjoe.com