

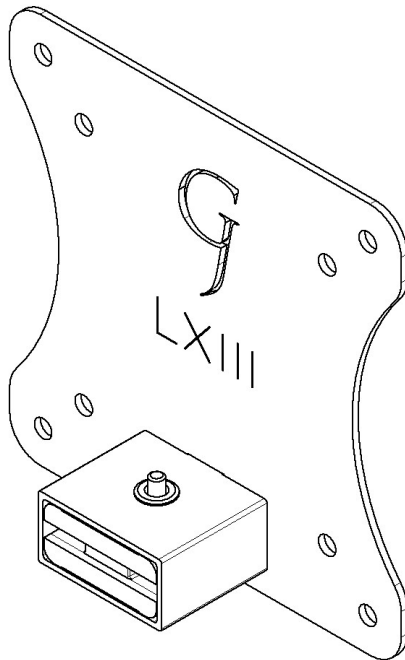
# GJ0A0063



## VESA MOUNT ADAPTER

GLADIATOR JOE

---



---

### Fits the following models:

HP Pavilion 22F, 22ER, 22ES, 22EB, 22EA, 23F, 22EF, 23ER, 23ES, 23EB, 23EA, 23EF, 24F, 24ER, 24ES, 24EB, 24EA, 24EF, 25F, 25ER, 25ES, 25EB, 25EA, 25EF, 27ER, 27ES, 27F, 27EB, 27EA, 27EF

## WARNING!

- To avoid danger of suffocation, keep these parts away from babies and children.
- Be aware of the sharp edges of the product.
- Check carefully to make sure that there are no missing or defective parts. Improper installation may cause problems.
- Do not hang something heavy on this product, which may exceed the weight capacity.
- Do not use this product for any other purpose that is not specified in this manual.

## PACKAGE CONTENTS



A (x1)  
Adapter Bracket



E (x1)  
M4 Rivet



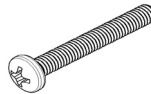
B (x1)  
GJ63 Plastic



F (x4)  
M4 x 12mm  
Panhead Screw



C (x4)  
M4 Hex Nut



G (x1)  
M4 x 25mm  
Panhead Screw



D (x1)  
M4 Flat Washer

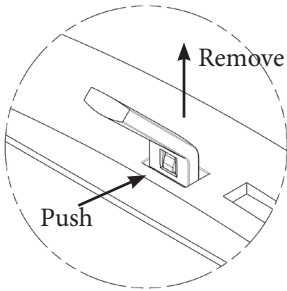


H (x2)  
M2.5 x 12mm  
Screw



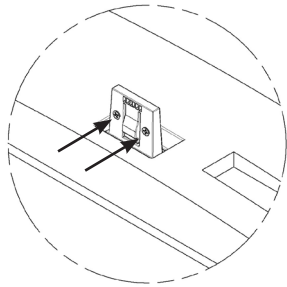
I (x1)  
Rubber

# REMOVE ORIGINAL STAND



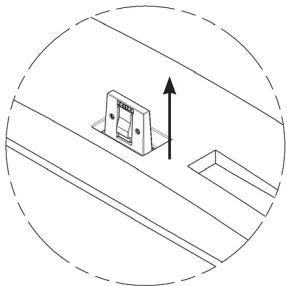
## **STEP 1**

Remove the original base, then push this button to remove the original stand



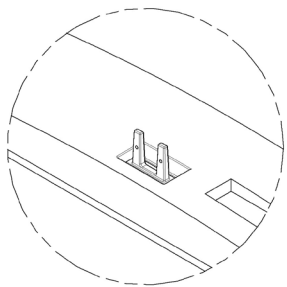
## **STEP 2**

Use your screwdriver to uninstall two factory screws



## **STEP 3**

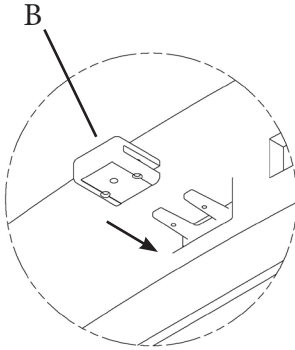
Take off the original plastic from the monitor



## **STEP 4**

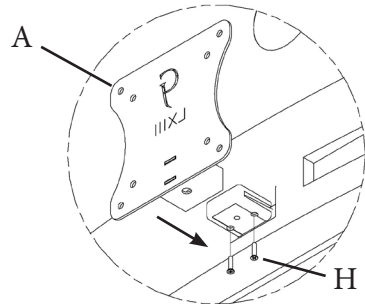
Clean your monitor and prepare to install the adapter

## ASSEMBLY STEPS



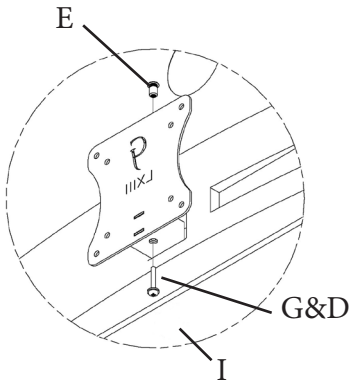
### STEP 1

Install B (x1) on the metal prongs



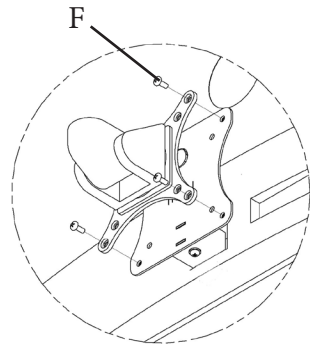
### STEP 2

Install H (x2) to plastic B, then install A (x1) over the installed plastic



### STEP 3

Install E (x1), I (x1), G (x1) and D(x1) to the adapter as shown in the picture



### STEP 4

Mount adapter to your arm with C (x4)&F (x4)



US: +1 954 271 6612  
 CDN & International:  
 +1 514 494 1348



info@gladiatorjoe.com  
<https://gladiatorjoe.com/>