

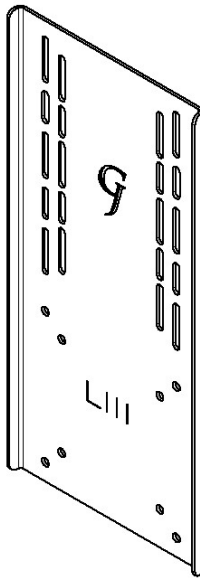
GJ0A0053



VESA MOUNT EXTENDER

Extension Adapter

GLADIATOR JOE



Fits the following models:
Most Gladiator Joe Vesa Adapter
Other Vesa Stand Adapter

WARNING!

- To avoid danger of suffocation, keep these parts away from babies and children.
- Be aware of the sharp edges of the product.
- Check carefully to make sure that there are no missing or defective parts. Improper installation may cause problems.
- Do not hang something heavy on this product, which may exceed the weight capacity.
- Do not use this product for any other purpose that is not specified in this manual.

PACKAGE CONTENTS



A (x1)
Adapter Bracket



B (x8)
M4 x 12mm Panhead Screw

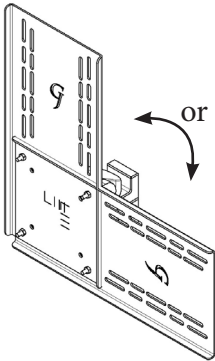


C (x8)
M4 Hex Nut



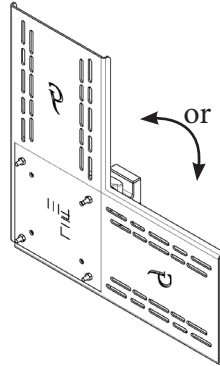
D (x8)
M4 Flat Washer

ASSEMBLY OPTIONS



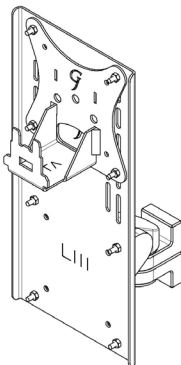
OPTION 1 (Front)

Mount adapter bracket Vertical or Horizontal to your arm as shown in the picture
Mount to vesa compatible monitor



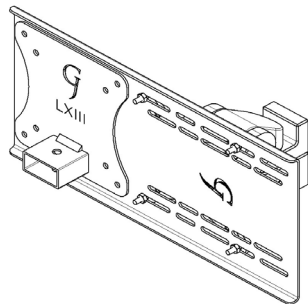
OPTION 2 (Back)

Mount A Vertical OR Horizontal to your arm as shown in the picture
Mount to vesa compatible monitor



OPTION 3 (Adapter)

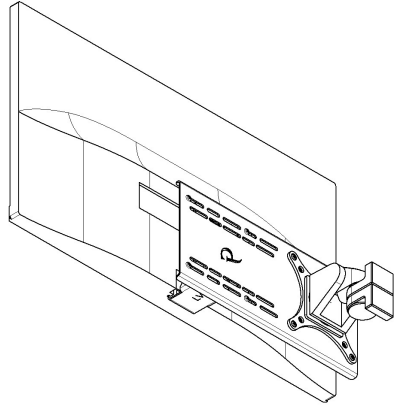
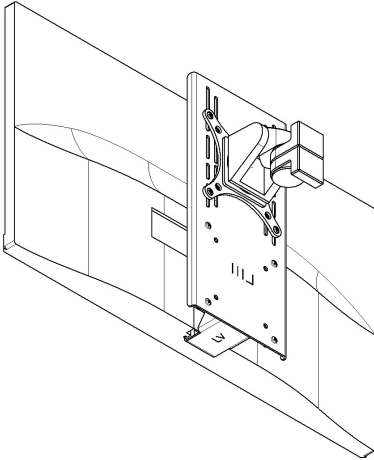
Mount A Vertical to your arm with an Monitor adapter as shown in the picture
Mount to non vesa compatible monitor



OPTION 4 (Adapter)

Mount A Horizontal with an Monitor adapter as shown in the picture
Mount to non vesa compatible monitor

***The GJ Adapter shown in these pictures are not included with this product**



Please leave us a review if you like our products.
Please feel free to contact us if you have any question.



<https://gladiatorjoe.com>



US: +1 954 271 6612
CDN & International:
+1 514 494 1348



info@gladiatorjoe.com