

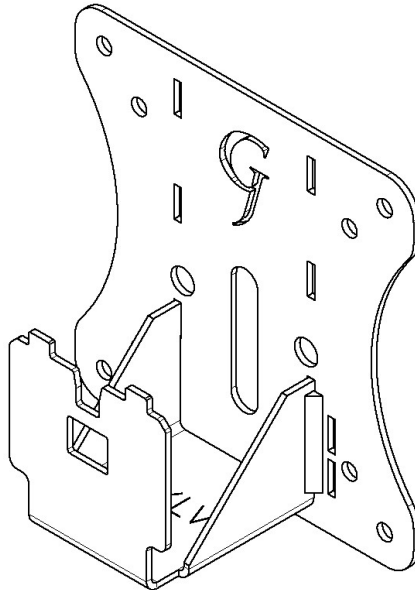
# GJ0A0045



## VESA MOUNT ADAPTER

GLADIATOR JOE

---



---

### Fits the following models:

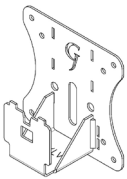
Dell SE2216H, SE2216HV, S2216M, S2216H, S2316H, S2317HJ,  
S2316M, SE2416Hc, SE2416HSC1, SE2416H, SE2417HG, SE2417HGR,  
SE2416HX, S2416H, SE2416HSC1, SE2717Q, S2716H, S2817Q

## WARNING!

- To avoid danger of suffocation, keep these parts away from babies and children.
- Be aware of the sharp edges of the product.
- Check carefully to make sure that there are no missing or defective parts. Improper installation may cause problems.
- Do not hang something heavy on this product, which may exceed the weight capacity.
- Do not use this product for any other purpose that is not specified in this manual.

---

## PACKAGE CONTENTS



A (x1)  
Adapter Bracket

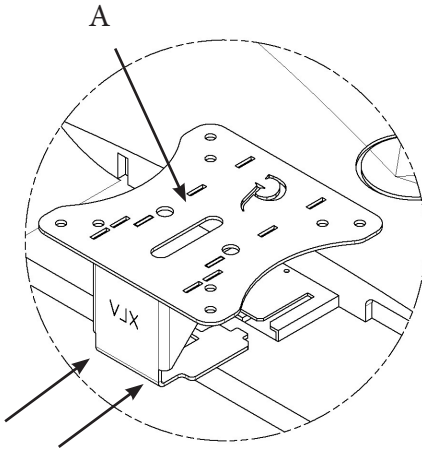


B (x4)  
M4 x 12mm Panhead Screw



C (x4)  
M4 Hex Nut

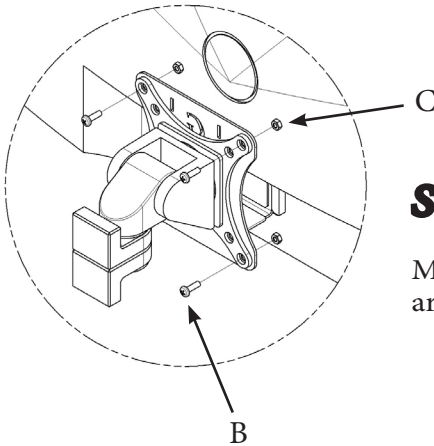
## ASSEMBLY STEPS



### **Step 1**

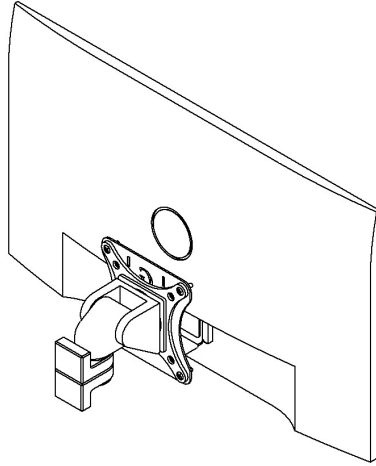
Remove original monitor stand. Then, install A to the monitor

Push A from the bottom, applying equal and steady force, until hearing “click”



### **Step 2**

Mount adapter to your arm with B (x4) & C (x4)



Please leave us a review if you like our products.  
Please feel free to contact us if you have any question.



<https://gladiatorjoe.com>



US: +1 954 271 6612  
CDN & International:  
+1 514 494 1348



[info@gladiatorjoe.com](mailto:info@gladiatorjoe.com)