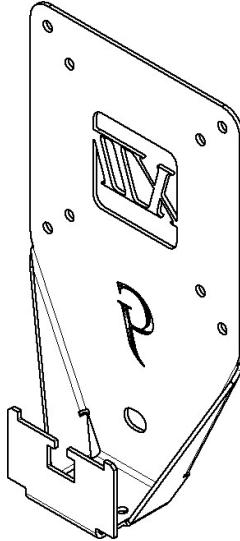


GJ0A0012



VESA MOUNT ADAPTER

GLADIATOR JOE



Fits the following models:

Dell S2440L, S2440LB

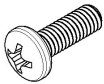
WARNING!

- To avoid danger of suffocation, keep these parts away from babies and children.
- Be aware of the sharp edges of the product.
- Check carefully to make sure that there are no missing or defective parts. Improper installation may cause problems.
- Do not hang something heavy on this product, which may exceed the weight capacity.
- Do not use this product for any other purpose that is not specified in this manual.

PACKAGE CONTENTS



A (x1)
Adapter Bracket

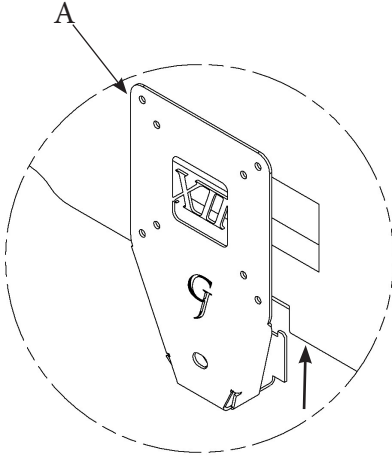


B (x4)
M4 x 12mm Panhead Screw



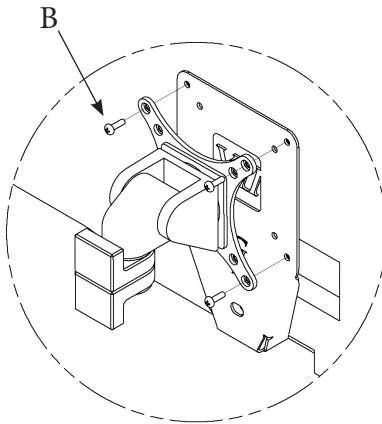
C (x4)
M4 Hex Nut

ASSEMBLY STEPS



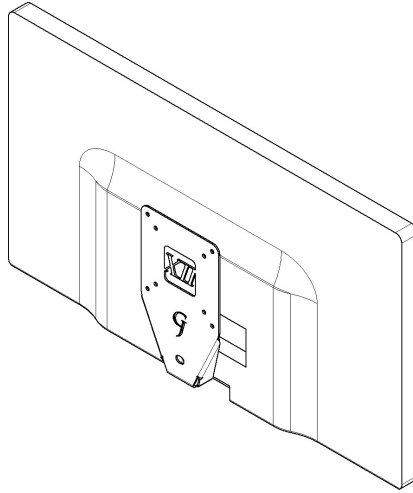
Step 1

Remove original monitor stand. Then, install A to the monitor



Step 2

Mount adapter to your arm with B (x4) & C (x4)



Please leave us a review if you like our products.
Please feel free to contact us if you have any question.



<https://gladiatorjoe.com>



US: +1 954 271 6612
CDN & International:
+1 514 494 1348



info@gladiatorjoe.com