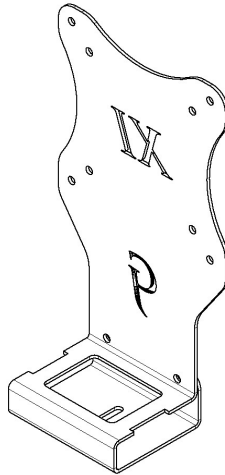


GJOA0011



VESA MOUNT ADAPTER

GLADIATOR JOE



Fits the following models:

Samsung S19 - 20 - 22 - 23 - 34 - 27 A, B, C, and D series

WARNING!

- To avoid danger of suffocation, keep these parts away from babies and children.
- Be aware of the sharp edges of the product.
- Check carefully to make sure that there are no missing or defective parts. Improper installation may cause problems.
- Do not hang something heavy on this product, which may exceed the weight capacity.
- Do not use this product for any other purpose that is not specified in this manual.

PACKAGE CONTENTS



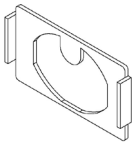
A (x1)
Adapter



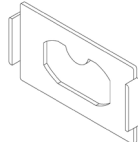
B (x4)
M4 x 12mm
Panhead Screw



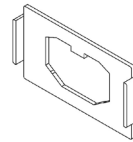
C (x4)
M4 Hex Nut



D (x1) Plastic 1



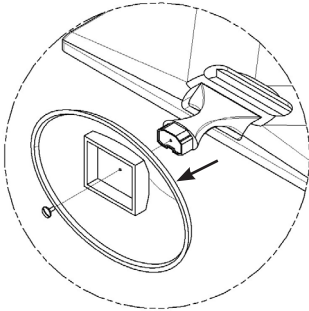
E (x1) Plastic 2



F (x1) Plastic 3

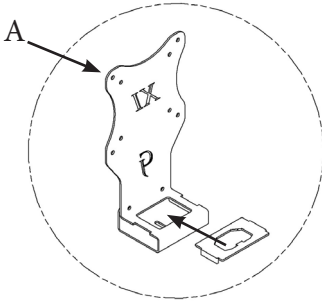
***Please note: This adapter after completing step 1, match one of the above plastics to the shape of the base left in the back of the monitor. Then, use this plastic to complete step**

ASSEMBLY STEPS



STEP 1

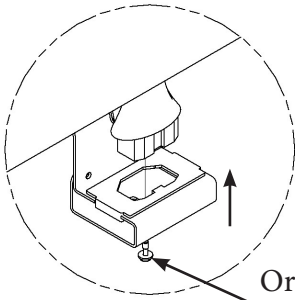
Remove original bolt and stand base from the monitor



STEP 2

Take off monitor stand, then remove the original monitor bracket and it's bolt.

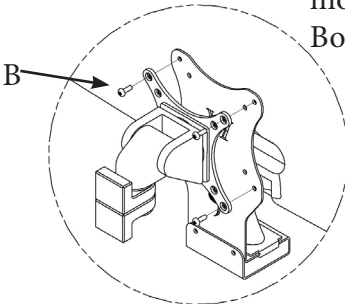
Assembly bracket A with one plastic by using original bolts



STEP 3

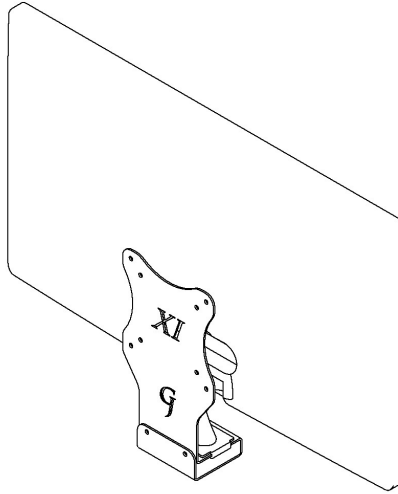
Install assembled adapter to your monitor

Original
monitor
Bolt



STEP 4

Mount adapter to your arm with B(x4) and C(x4)



Please leave us a review if you like our products.
Please feel free to contact us if you have any question.



<https://gladiatorjoe.com/>



US: +1 954 271 6612
CDN & International:
+1 514 494 1348



info@gladiatorjoe.com