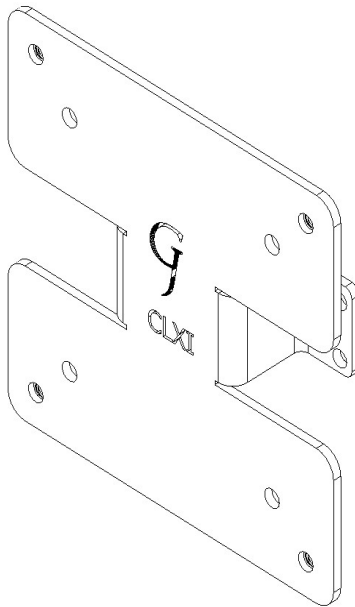


GJOA0161



VESA MOUNT ADAPTER

GLADIATOR JOE



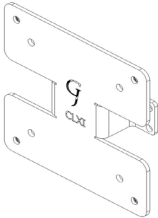
Fits the following models:

Lenovo IdeaCentre AIO 3 24ALC6

WARNING!

- To avoid danger of suffocation, keep these parts away from babies and children.
 - Be aware of the sharp edges of the product.
 - Check carefully to make sure that there are no missing or defective parts. Improper installation may cause problems.
 - Do not hang something heavy on this product, which may exceed the weight capacity.
 - Do not use this product for any other purpose that is not specified in this manual.
-

PACKAGE CONTENTS



A (x1)
Adapter Bracket



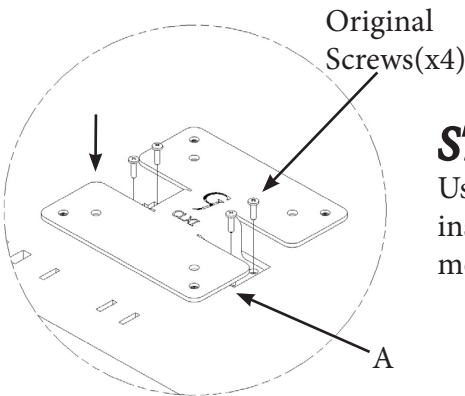
B (x4)
M4 x 12mm
Panhead Screw

ASSEMBLY STEPS



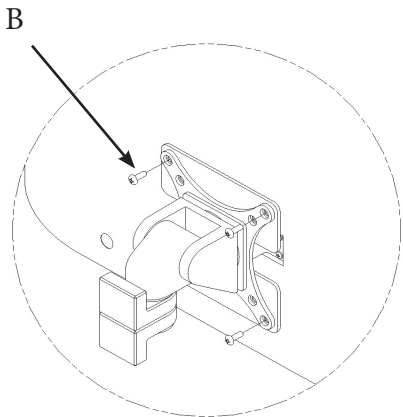
STEP 1

Remove the stand from the monitor, and keep the screws.



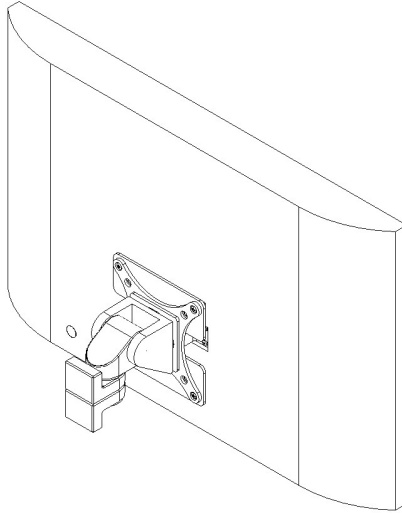
STEP 2

Use Original Screws to install adapter on the monitor



STEP 3

Mount adapter to your arm with B(x4)



Please leave us a review if you like our products.
Please feel free to contact us if you have any question.



<https://gladiatorjoe.com/>

US: +1 888 331 0330
CDN & International:
+1 514 494 1348

admin@gladiatorjoe.com