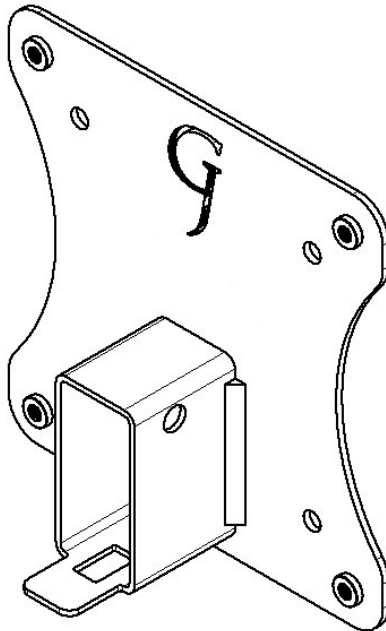


GJOA0160



VESA MOUNT ADAPTER

GLADIATOR JOE

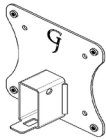


Fits the following models:
HP ProOne and EliteOne

WARNING!

- To avoid danger of suffocation, keep these parts away from babies and children.
 - Be aware of the sharp edges of the product.
 - Check carefully to make sure that there are no missing or defective parts. Improper installation may cause problems.
 - Do not hang something heavy on this product, which may exceed the weight capacity.
 - Do not use this product for any other purpose that is not specified in this manual.
-

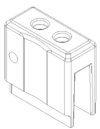
PACKAGE CONTENTS



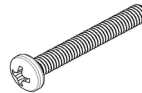
A (x1)
Adapter Bracket



E (x1)
M4 Washer



B (x1)
GJ160 Plastic



F (x1)
M4 x 30mm
Panhead Screw



C (x2)
M4 x 25mm
Panhead Screw

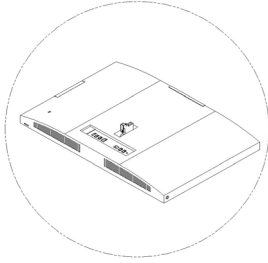


G (x4)
M4 x 12mm
Panhead Screw



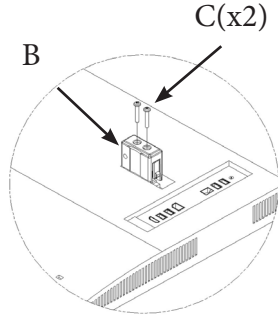
D (x1)
M4 Rivet

ASSEMBLY STEPS



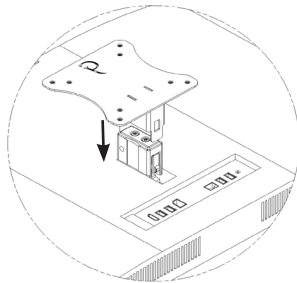
STEP 1

Remove the original monitor stand



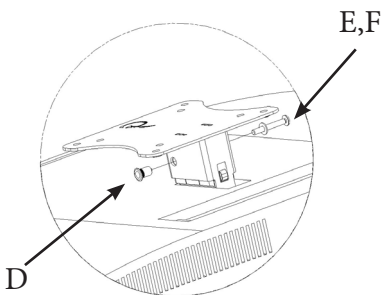
STEP 2

Fix the plastic B to the monitor with C(x2)



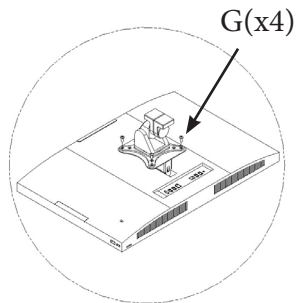
STEP 3

Install the adapter to the monitor until hear "click"



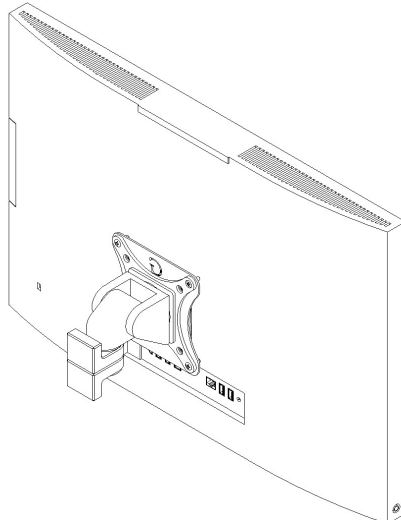
STEP 4

Use C, F&D to install the adapter on the monitor from both side



STEP 5

Mount the adapter to your arm with G(x4)



Please leave us a review if you like our products.
Please feel free to contact us if you have any question.



<https://gladiatorjoe.com/>



US: +1 954 271 6612
CDN & International:
+1 514 494 1348



admin@gladiatorjoe.com