

STANDARD FEATURES



30" DUAL FUEL RANGES

- Heavy-duty cast-iron grates provide a continuous uninterrupted and maximized cooking surface for best in class coverage. In combination with brass sealed burner and burner bowl, designed to optimize combustion efficiency to produce top cooking performance, including the fastest time-to-boil.
- High performance dual-flow burner system allows for significant turndown capability from high Btu performance (23,000 Btu/hour *Front Burners*) to low continuous simmer (500 Btu/hour *All Burners*). - NG/LP
- Exclusive raised pattern burner cap design that is easy to remove and clean.

Simmer Flame at 500 Btu



MarquiseDisplay™



Back-lit knobs



- Robust electronic ignition/re-ignition capability to provide safety and proper gas ignition. Igniter will continue to spark until the burner flame is established and re-ignite in the case of flame blow out.
- Exclusive PureVection™ technology electronically controls multiple heating elements and convection systems to optimize baking, broiling, roasting, convection baking, and self cleaning processes. Achieved by alternating and adjusting the levels of heat and air circulation needed to produce the best result.
- MarquiseDisplay™ patent pending touch control oven display is discreetly and conveniently located in Marquise Accented™ oven door handle. Time, modes and temperature are elegantly displayed.
- 4.9 Cu. Ft heavy duty, porcelain enameled oven cavity interior for even heat distribution. Concealed bake, broil, and convection elements designed for ease of cleaning and more usable capacity.
- Gentle-close door feature is counterbalanced.
- Distinctly angled oven door, commercial grade end caps, and Marquise Accented™ and control panel which hides fingerprints, are ergonomically designed for ease of opening and closing of oven door.
- Extra-wide glass oven window provides improved viewing area while keeping temperatures outside cool to touch.
- Three full-extension, telescopic professional oven racks with (6) position rack supports, glide easily for convenient access.
- Soft-on & off oven interior lighting.
- Standard meat probe for accurate temperature measurement.



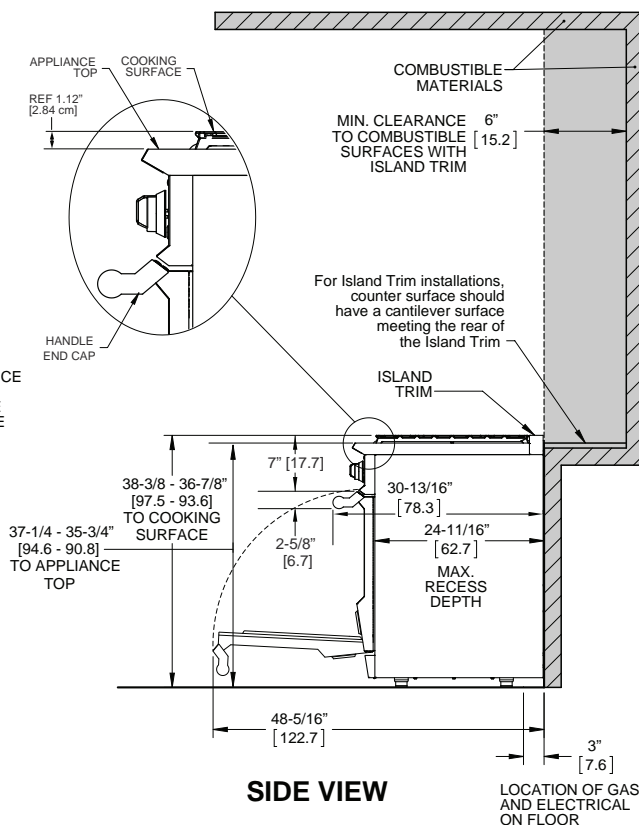
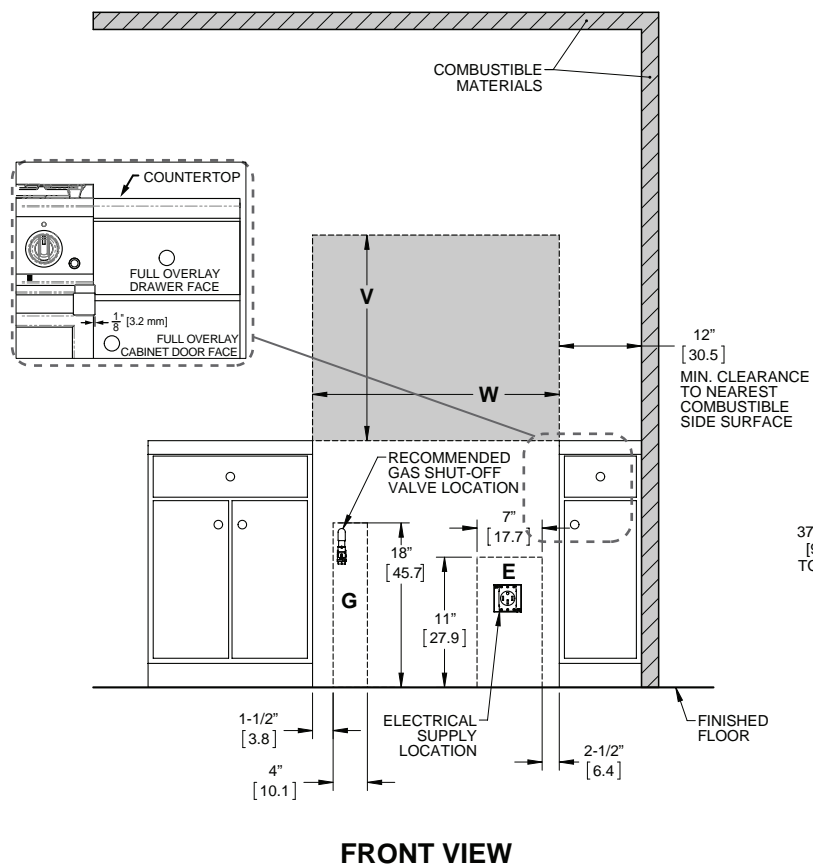
KRD 304
Model Shown with
Accessory 10" Backguard
(KBGLB30)

- Elegantly backlit control knobs add functionality and brilliant illumination.
- Zamak die-cast range and oven control knobs.
- Comes standard with Island Trim.

OPTIONS & ACCESSORIES

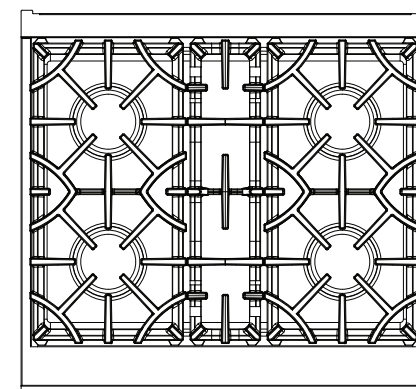
- Available in Twelve (12) Hestan signature color finishes
- Backguards : Low Back 10" and High Shelf 20"
- Natural Gas (NG) or Liquid Propane (LP)
- Gas conversion kits (NG/LP)
- High altitude kit
- Wok Ring

INSTALLATION CLEARANCES WITH ISLAND TRIM



DIMENSIONS IN BRACKETS [] ARE IN CM.

RANGE MODEL	W	V(min)
KRD304	30" [76.2]	30" [76.2]



KRD304

ELECTRICAL REQUIREMENTS:
208/240V, 60Hz, 40 amps

GAS REQUIREMENTS: 1/2" NPT gas connection. Minimum gas supply is 7" water column for natural gas and 11" for propane. Operating pressure at the manifold is 5" water column for natural gas and 10" for propane. All units require a regulated gas supply. (included)

Hestan Indoor products are approved for indoor use only. Hestan Commercial Corporation reserves the right to change materials and specifications without notice. Specify type of gas when ordering.

- NOTES:**
- * SHADED AREAS INDICATE WHERE COMBUSTIBLE MATERIALS ARE NOT ALLOWED.
 - * APPLIANCE TOP MUST BE LEVEL OR HIGHER THAN THE ADJACENT COUNTERTOP SURFACES.
 - * "G" IS GAS CONNECTION ZONE ON REAR WALL. MOUNT SHUT-OFF VALVE AS HIGH AS POSSIBLE IN THIS ZONE FOR EASY ACCESS WHEN RANGE IS INSTALLED.
 - * "E" IS ELECTRICAL SUPPLY ZONE.
 - * "W" IS APPLIANCE OPENING. NOTE: HANDLE END CAPS PROTRUDE 1/8" BEYOND EACH SIDE OF THE RANGE. ALLOWANCE MAY BE NEEDED FOR ADJACENT DRAWERS OR CABINERY.
 - * "V" IS MIN. CLEARANCE TO REQUIRED VENTILATION HOOD.

ALL Models	Description	Cutout Dimensions		Total Btu's	Circuit Breaker Req	Approx SHP WT (lbs)
		W (in.)	D (in.)			
KRD304-NG/-LP	30" Range 4 Burner	30"	24-1/2"	77,000	40 Amp	410