

OFZ124

24" Convertible Freezer • Outdoor Collection



Stainless Solid

Key Features

- Converts to a refrigerator with the touch of a button
- Convection cooling system provides a quick cool down and consistent temperature
- Digital touch pad control with blue LED display
- Stainless steel cabinet, toe-kick, and full-wrap door
- Volume of 4.9 cu ft
- Freezer temperature range: -5°F - 5°F
- Refrigerator temperature range: 33°F - 70°F
- Bright white LED lighting
- Three full-extension chrome plated slide-out baskets
- Stainless steel handle (7/8" diameter)
- Field reversible door is shipped right-hand hinged
- Built-in or freestanding
- Four adjustable leveling legs

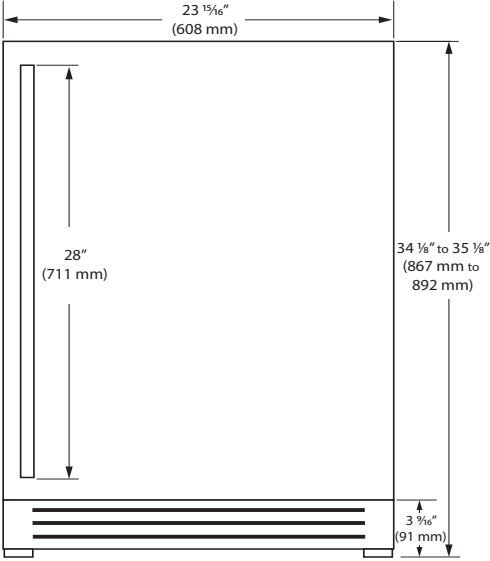
Model Details

Model	Voltage/Hz	Door Swing	Finish	Shipping Weight
UOFZ124-SS01A	115 / 60	Field Reversible	Stainless Solid	125 lb

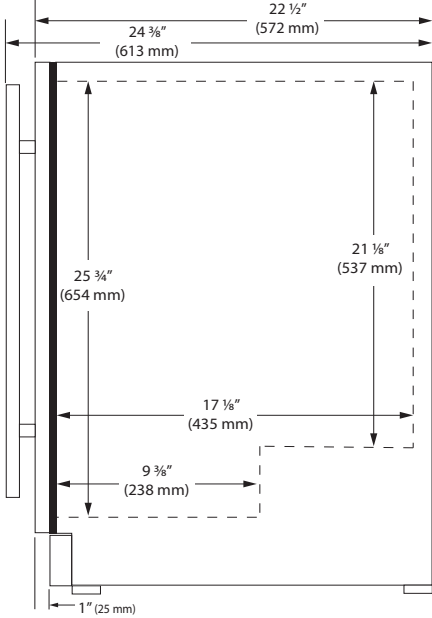
ACCESSORIES

Model	Description	Finish	Shipping Weight
ULAFREESTANDS	Freestanding Kit	Stainless	3 lb

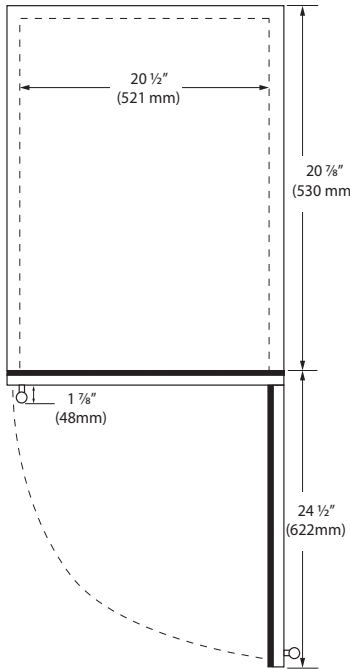
Dimensions
Front



Side



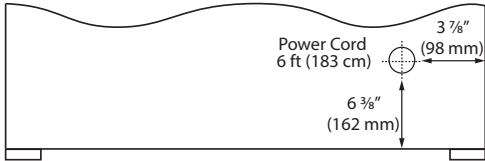
Top



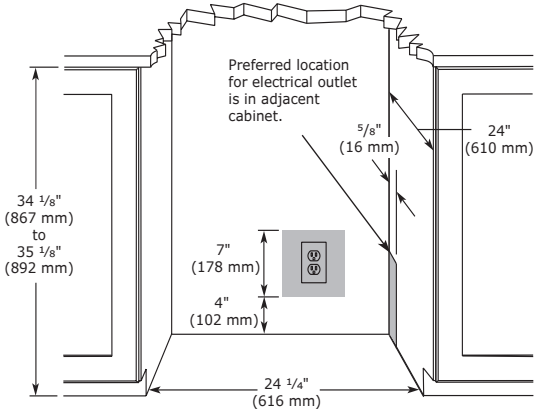
Specifications

Model	OFZ124
Amps: Running	2.5
Capacity: Bottle (12 oz)	N/A
Capacity: Can (12 oz)	N/A
Capacity: Volume (cu ft)	4.9
Capacity: Wine Bottle (750 ml)	N/A
Dimensions: Product Depth	22 1/2" / 572 mm
Dimensions: Product Height	34 1/8" / 867 mm
Dimensions: Product Width	23 15/16" / 608 mm
Energy Consumption: Avg. Per Year	390 kWh
ENERGY STAR	Tier 1
Product Weight: Max	125 lb
Refrigerant Type:	R600a
Sabbath (Star K Certified)	Yes
Temperature Range (freezer)	-5°F - 5°F
Temperature Range (refrigerator)	33°F - 70°F

Back



Cabinet Cut-Out



Warranty

- 1 Year (parts & labor) / 5 year sealed system (parts)
- **2 Year (parts & labor) / 5 year sealed system (parts) upgrade at no cost with product registration**



See complete warranty for details

Installation Notes

- 24" cutout width sufficient if door protrudes beyond adjacent cabinetry
- No additional clearance is needed for ventilation
- Do not obstruct front grille air flow



Please visit u-line.com to view this model's User Guide & Service Manual. All Specifications are subject to change without notice.