



Stainless Solid



Black Solid



White Solid



Integrated Solid

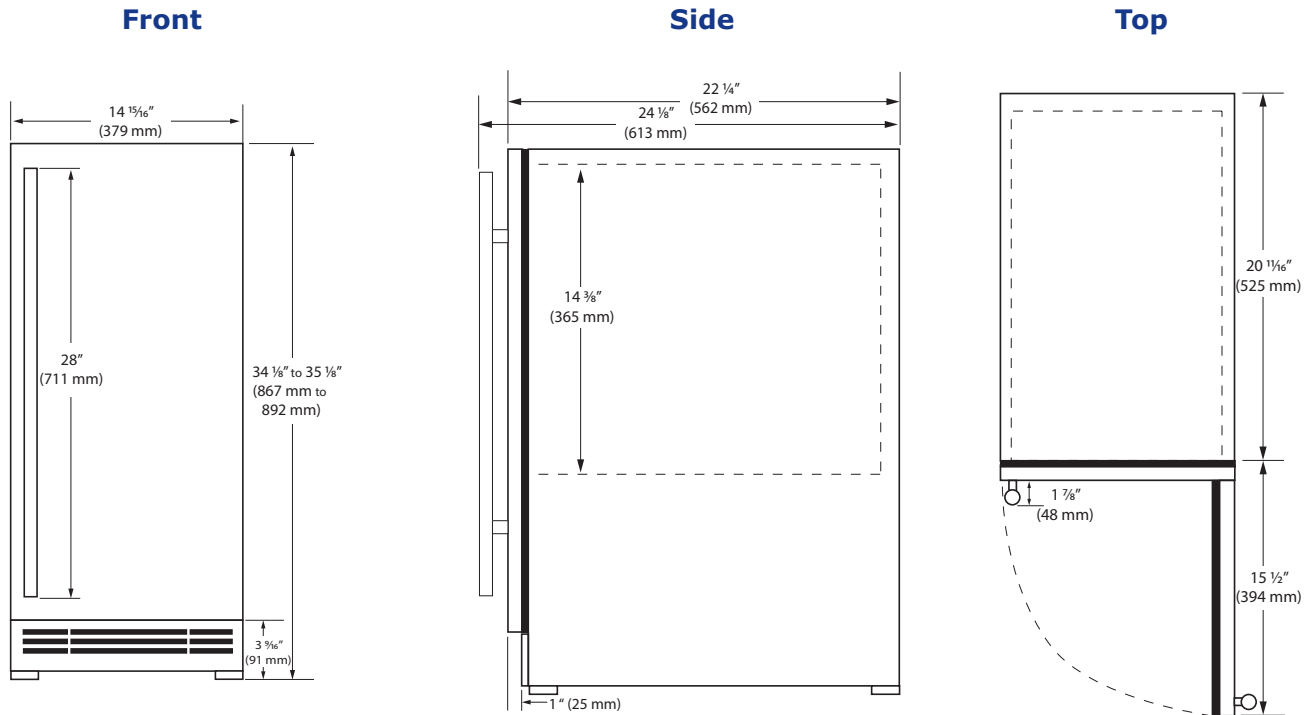
Key Features

- Makes crescent shaped cubes approx. 1/2" W x 3/4" H x 2 1/4" L
- Daily ice production is approximately 4 times greater than the average household refrigerator
- White interior
- Produces and stores up to 25 lb (11 Kg) of ice per day
- Stainless steel full-wrap door and handle (7/8" diameter)
- Stainless steel grille (stainless model), black metal grille (black, white, & integrated models)
- Field reversible door is shipped right-hand hinged
- Built-in or freestanding
- Four adjustable leveling legs
- No drain required

Model Details

| Model | Voltage/Hz | Door Swing | Finish | Shipping Weight |
|---------------|------------|------------------|------------------|-----------------|
| UHCR115-SS01A | 115 / 60 | Field Reversible | Stainless Solid | 91 lb |
| UHCR115-BS01A | 115 / 60 | Field Reversible | Black Solid | 91 lb |
| UHCR115-WS01A | 115 / 60 | Field Reversible | White Solid | 91 lb |
| UHCR115-IS01A | 115 / 60 | Field Reversible | Integrated Solid | 87 lb |

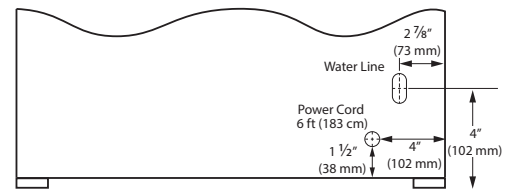




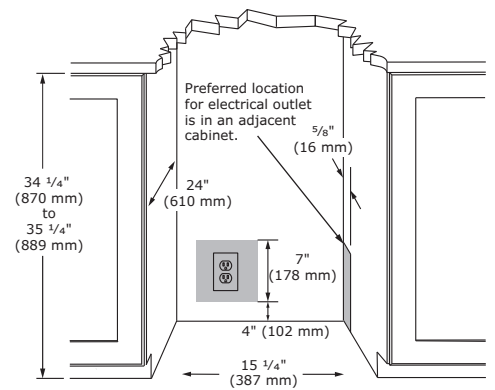
Specifications

| | |
|-----------------------------------|--------------------|
| Model | HCR115 |
| Amps: Running (115 v) | 2.5 A |
| Capacity Ice | 25 lb (11 Kg) |
| Defrost Type | Manual |
| Dimensions: Product Depth | 22 1/4" / 562 mm |
| Dimensions: Product Height | 34 1/8" / 867 mm |
| Dimensions: Product Width | 14 15/16" / 379 mm |
| ENERGY STAR | N/A |
| Energy Consumption: Avg. Per Year | N/A |
| Ice Production | 25 lb (11 Kg) |
| Ice Type | Crescent Ice |
| Panel Height | 30 1/4" / 768 mm |
| Panel Thickness | 3/4" / 20 mm |
| Panel Type | Solid Panel |
| Panel Width | 14 3/4" / 375 mm |
| Refrigerant Type | R134a |

Back



Cabinet Cut-Out



Warranty

- 1 Year (parts & labor) / 5 year sealed system (parts)
- + **Additional 1 Year (parts & labor) warranty at no cost with product registration**

See complete warranty for details



Installation Notes

- 15" cutout width sufficient if door protrudes beyond adjacent cabinetry
- No additional clearance is needed for ventilation
- Do not obstruct front grille air flow



Please visit u-line.com to view this model's User Guide & Service Manual. All Specifications are subject to change without notice.

8900 North 55th Street • Milwaukee, Wisconsin 53223 USA • +1.414.354.0300 • sales@u-line.com • u-line.com