

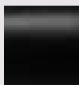




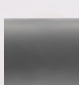




-  CHROME
-  BRUSHED CHROME
-  MATTE BLACK
-  ROSE GOLD
-  BRUSHED GOLD
-  NICKEL
-  BRUSHED NICKEL
-  GUNMETAL

HYDROTAP® ARC FOR HOME

BOILING | **CHILLED**

The HydroTap Arc BC will elevate your drinking water, with on-demand boiling and chilled water, advanced smart technology, beautiful design, and high filtration for healthier living. Unbottle the future. Choose sustainable hydration with HydroTap by Zip Water - the world's most advanced drinking water system.

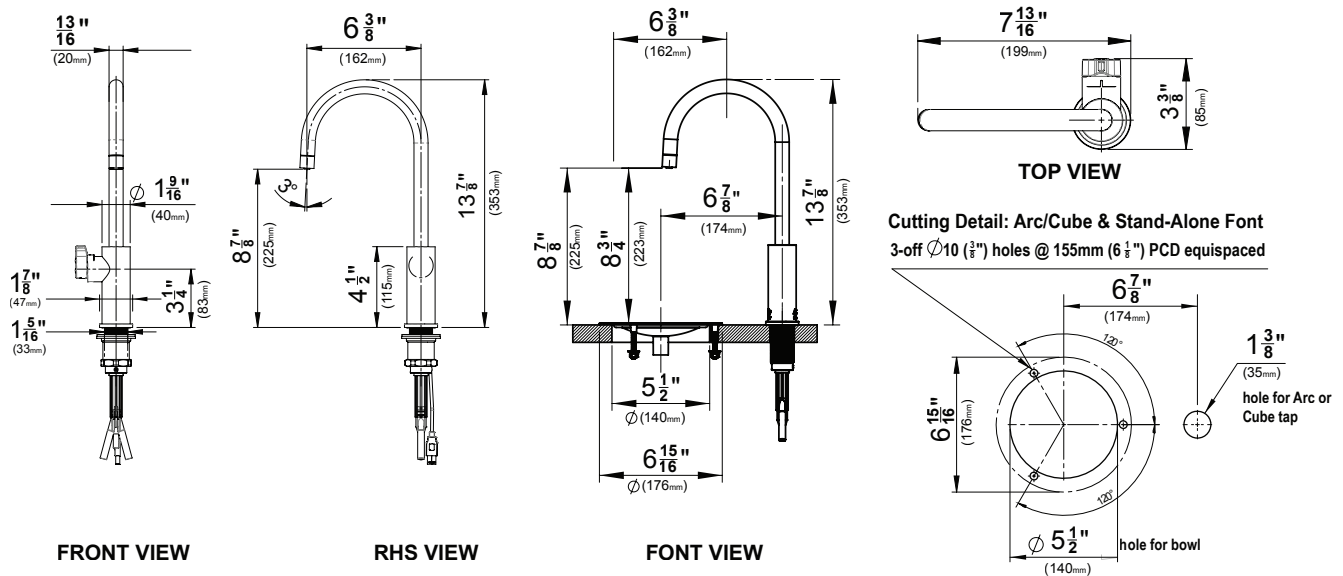
HYDROTAP® ARC FOR HOME

BOILING | **CHILLED**



TAP SPECS

Style	HydroTap Arc - includes child safety lock
Hole Size	1 3/8"
Tap Height	13.89" fixed height from counter to apex of spout (when installed over a drain font); 11.92" - 13.89" adjustable height (when installed over sink)
Available Finishes	Chrome, Brushed Chrome, Matte Black, Rose Gold, Brushed Gold, Nickel, Brushed Nickel & Gunmetal
Installation	Over sink or on drip tray (optional font - see below); Handle orientation - left or right side
Flow rate	Max 1.8gpm
Sparkling Water Flow Rate	0.36 gpm



MODEL NUMBERS (CONTACT LOCAL DEALER FOR PRODUCT CODES)

ARCBC120V-CH	Arc (Chrome)
ARCBC120V-BC	Arc (Brushed Chrome)
ARCBC120V-MB	Arc (Matte Black)
ARCBC120V-RG	Arc (Rose Gold)
ARCBC120V-BG	Arc (Brushed Gold)
ARCBC120V-NI	Arc (Nickel)
ARCBC120V-BN	Arc (Brushed Nickel)
ARCBC120V-GM	Arc (Gunmetal)

PRODUCT CODES FOR OPTIONAL FONTS

01034269	Drip Tray, Design Range Font (Chrome)
01034270	Drip Tray, Design Range Font (Brushed Chrome)
01034271	Drip Tray, Design Range Font (Matte Black)
01034272	Drip Tray, Design Range Font (Rose Gold)
01034273	Drip Tray, Design Range Font (Brushed Gold)
01034274	Drip Tray, Design Range Font (Nickel)
01034275	Drip Tray, Design Range Font (Brushed Nickel)
01041881	Drip Tray, Design Range Font (Gunmetal)

PRODUCT CODES FOR ACCESSORIES

01034276	Filter, Zip, 0.2 Micron, 1 Size - 93701
01034277	Filter, Zip, 0.2 Micron, 1.5 Size - 93702
01034278	Filter, Zip, 3 Micron, 1.5 Size - 93703
01037874	External Scale Installation Kit (includes filter)

01034347	Zip 2 x 1.5lb CO ₂ refillable/recyclable cylinders
01034348	Zip 1 x 5lb CO ₂ refillable/recyclable cylinders
01034349	Zip CO ₂ Regulator
01037868	External Scale Replacement Filter

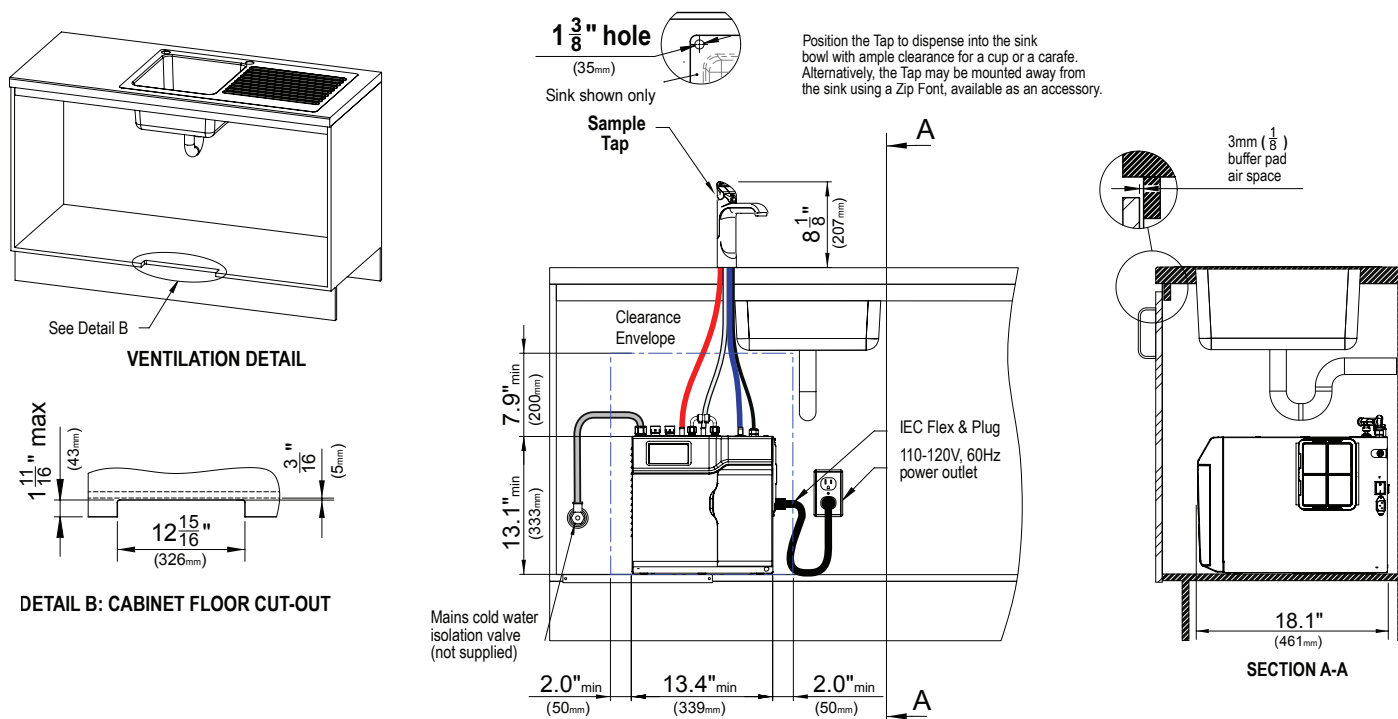
HYDROTAP® ARC FOR HOME

BOILING | CHILLED



COMMAND CENTER SPECS

Water Pressure	Min 36psi – Max 100psi with a minimum flow rate of 1 gpm
Water Connection	½" BSP - isolation valve is required within 3' of the installation
Integral Water Values	HydroTaps are fitted with a Dual Check Valve and a 50psi Pressure Limiting Valve
Water Supply Requirements	Potable drinking water supply
Total Dissolved Solids (TDS)	TDS minimum 50ppm – maximum 120ppm
Integral Water Filter	0.2 micron, 1 size - replace every 1,500 gallons or 12 months
Power Rating	110-120V, 60 Hz, 1.25kW, 9A draw
Power Supply Requirements	110-120V, 60Hz 15A power supply with a NEMA 5-15 outlet
Dimensions (WxDxH)	13.4" x 18.1" x 13.1"
Minimum Air Gap	Clearances are required - 2" left side , 2" right side , 8" above
Dry Weight	50.7lbs
Product Approvals	IAPMO - NSF/ANSI 372, 42 & 53, cUL, CEC
Warranty	2 years (1 year Limited Warranty plus additional 1 year warranty is available on product registration)
CO ₂ Cylinder	2 x 1.5lb beverage-grade carbon dioxide cylinder
CO ₂ Capacity	Approximately 450 glasses of sparkling water per 1.5lb CO ₂ cylinder
CO ₂ Operating Pressure	Min 39psi - Max 43psi
Maximum Installation Distance (Tap to Command Center)	3'
Maximum Installation Distance (Tap to Command Center)	15"
Minimum Cabinet Depth	18"



Installation and connection of your HydroTap must be carried out by a qualified person, observing all local, state, & federal regulations. You will require suitable 110 - 120V 60Hz 15 amp power supply with a NEMA 5-15 electrical outlet within 3' of the product. The HydroTap is a pump-driven system so the installation of the Tap must be within 3' of the base command center. The HydroTap is an air-cooled system so discrete cabinetry cut-outs are required for ventilation. Installation on most countertops is straightforward however some stone countertops may require a specialized cutting service. If using a drip tray (font) accessory, suitable drainage to a trapped waste is required within 3' of the installation. If you live in an area with hard water (more than 120ppm), we recommend installation of a scale filtration kit. Sufficient space and clearance to install the HydroTap as detailed in the product installation guidelines is required. Installation by Zip Professional Service can be arranged with a phone call to 1-833-233-2358 or through <https://us.zipwater.com>.

*For home or small office (maximum office size = 20 people)