



INDOOR COOKING

Drawer Microwave

KMWR30

Use and Care Manual

 **HESTAN**

WARNING

IF THE INFORMATION IN THIS MANUAL IS NOT FOLLOWED EXACTLY, A FIRE OR EXPLOSION MAY RESULT CAUSING PROPERTY DAMAGE, PERSONAL INJURY, OR DEATH.

Do not store or use gasoline or other flammable vapors and liquids in the vicinity of this or any other appliance.

Installation and service must be performed by a qualified installer or service agency.

DO NOT REPAIR, REPLACE OR REMOVE ANY PART OF THE APPLIANCE UNLESS SPECIFICALLY RECOMMENDED IN THE MANUAL. IMPROPER INSTALLATION, SERVICE OR MAINTENANCE CAN CAUSE INJURY OR PROPERTY DAMAGE. REFER TO THIS MANUAL FOR GUIDANCE. ALL OTHER SERVICING SHOULD BE DONE BY A HESTAN AUTHORIZED SERVICE TECHNICIAN.

READ THESE INSTRUCTIONS CAREFULLY AND COMPLETELY BEFORE INSTALLING OR USING YOUR APPLIANCE TO REDUCE THE RISK OF FIRE, BURN HAZARD, OR OTHER INJURY. KEEP THIS MANUAL FOR FUTURE REFERENCE.

SAFETY DEFINITIONS

 **WARNING** THIS INDICATES THAT DEATH OR SERIOUS INJURY MAY OCCUR AS A RESULT OF NOT OBSERVING THIS WARNING

 **CAUTION** THIS INDICATES THAT MINOR OR MODERATE INJURY MAY OCCUR AS A RESULT OF NOT OBSERVING THIS WARNING.

 **NOTICE** THIS INDICATES THAT DAMAGE TO THE APPLIANCE OR PROPERTY MAY OCCUR AS A RESULT OF NOT OBSERVING THIS WARNING.

INSTALLER: LEAVE THIS MANUAL WITH THE OWNER OF THE APPLIANCE.

HOMEOWNER: RETAIN THIS MANUAL FOR FUTURE REFERENCE.

Message from Hestan:

Hestan's award-winning culinary innovations and purpose-built features reinvented the restaurant kitchen and redefined culinary experience in some of America's most acclaimed restaurants. Hestan now takes this performance from the back of the house and puts it front and center in yours. Thoughtfully designed and meticulously built, Hestan will serve you beautifully for years to come.

Hestan is the only residential brand born from the dreams and demands of professional chefs. From ranges to refrigeration, every detail is designed to deliver the performance and reliability expected in a restaurant – now available for you.

We appreciate you choosing Hestan, and we promise to deliver the very best to you.

Welcome to Hestan



TABLE OF CONTENTS

3	IMPORTANT SAFETY INSTRUCTIONS
5	PRECAUTIONS TO AVOID POSSIBLE EXPOSURE TO EXCESSIVE MICROWAVE ENERGY
6	REGULATORY / CODE REQUIREMENTS
6	RATING LABEL
6	MODEL NUMBERS
7	INTRODUCTION
12	BEFORE OPERATING
13	DRAWER MICROWAVE COOKING
20	OTHER FEATURES
23	CLEANING AND CARE
24	TROUBLESHOOTING
25	DRAWER MICROWAVE AUTO-TOUCH GUIDE
27	PARTS / SERVICE
27	LIMITED WARRANTY
30	NOTES

IMPORTANT SAFETY INSTRUCTIONS

When properly cared for, your Hestan Drawer Microwave will provide safe, reliable service for many years. When using this appliance, basic safety practices must be followed as described in the following pages.

INSTALLATION AND SERVICE

Installation and service must be performed by a qualified installer or agency.

See the Drawer Microwave Installation Manual for instructions.

KEEP THE MANUALS

INSTALLER: Please leave this manual and the Installation Instructions with the owner.

OWNER: Please read these Instructions and save them for future reference

⚠️ WARNING

ELECTRICAL SHOCK HAZARD

It is the responsibility of the user to have the appliance connected by a licensed electrician in accordance with all applicable codes and standards, including fire-related construction. This appliance must be grounded. See the Drawer Microwave Installation Manual for details.

ELECTRICAL SUPPLY AND GROUNDING

- This appliance must be grounded. See the Drawer Microwave Installation Manual for details.
- This appliance must be connected to 120 VAC Single Phase, 60 Hz, with a current rating as shown in the model number listing on page 6.

OWNER: Have the installer show you where the electric circuit breaker is located so you know how to shut off the power to this appliance.



IMPORTANT SAFETY INSTRUCTIONS *(CONT)*

GENERAL SAFETY

When using the appliance, basic safety precautions should be followed, including the following:



WARNING To reduce the risk of burns, electric shock, fire, injury to persons or exposure to excessive microwave energy:

1. Read all instructions before using the appliance.
2. Read and follow the specific "PRECAUTIONS TO AVOID POSSIBLE EXPOSURE TO EXCESSIVE MICROWAVE ENERGY" on page 5.
3. This appliance must be properly grounded. See page 7 for grounding instructions.
4. Install or locate this appliance only in accordance with the provided Installation Manual.
5. Some products such as whole eggs and sealed containers - for example, closed glass jars - are able to explode and should not be heated in the microwave oven.
6. Use this appliance only for its intended use as described in this manual. Do not use corrosive chemicals or vapors in this appliance. This appliance is specifically designed to heat, cook or dry food. It is not designed for industrial or laboratory use.
7. As with any appliance, close supervision is necessary when used by children.
8. Do not operate this appliance if it has a damaged cord or plug, if it is not working properly or if it has been damaged or dropped.
9. This appliance should be serviced only by qualified service personnel. Contact nearest Hestan Authorized Servicer for examination, repair or adjustment.
10. Do not cover or block any openings on the appliance.
11. Do not store or use this appliance outdoors. Do not use this product near water—for example, near a kitchen sink, in a wet basement, near a swimming pool or similar locations.
12. Do not immerse cord or plug in water.
13. Keep cord away from heated surfaces.
14. Do not climb or sit on the appliance.
15. Be sure that fingers or other objects or materials are not around the appliance opening when the appliance is closed.
16. Do not put fingers or clothes around the drawer guides when the appliance is opened or closed. They could be caught in the guides when the appliance is closed.
17. Be sure that the food and container are shorter than the drawer before closing it. You can refer to the height of the side walls of the drawer.
18. When cleaning appliance sealing surfaces that come together on closing the drawer, use only mild, nonabrasive soaps or detergents applied with a sponge or soft cloth. See "CLEANING AND CARE" on page 23.
19. To reduce the risk of fire in the appliance cavity:
 - a) Do not overcook food. Carefully attend appliance when paper, plastic or other combustible materials are placed inside the appliance to facilitate cooking.
 - b) Remove wire twist-ties from paper or plastic bags before placing bag in appliance.
 - c) If materials inside the appliance ignite, keep appliance door closed, turn microwave off and shut off power at the fuse or circuit breaker panel.

IMPORTANT SAFETY INSTRUCTIONS (CONT.)

- d) Do not use the appliance for storage purposes. Do not leave paper products, cooking utensils, or food in the appliance when not in use.
20. Liquids, such as water, coffee or tea are able to be overheated beyond the boiling point without appearing to be boiling due to surface tension of the liquid. Visible bubbling or boiling when the container is removed from the appliance is not always present. THIS COULD RESULT IN VERY HOT LIQUIDS SUDDENLY BOILING OVER WHEN A SPOON OR OTHER UTENSIL IS INSERTED INTO THE LIQUID.

To reduce the risk of injury to persons:

- a) Do not overheat the liquid.
 - b) Stir the liquid both before and halfway through heating it.
 - c) Do not use straight-sided containers with narrow necks. Use a wide-mouthed container.
 - d) After heating, allow the container to stand in the appliance at least for 20 seconds before removing the container.
 - e) Use extreme care when inserting a spoon or other utensil into the container.
21. If the appliance light fails, consult a Hestan authorized service provider.

READ AND SAVE THESE INSTRUCTIONS

PRECAUTIONS TO AVOID POSSIBLE EXPOSURE TO EXCESSIVE MICROWAVE ENERGY

- a) Do not attempt to operate this oven with the door open since open-door operation can result in harmful exposure to microwave energy. It is important not to defeat or tamper with the safety interlocks.
- b) Do not place any object between the oven front face and the door or allow soil or cleaner residue to accumulate on sealing surfaces.
- c) Do not operate the oven if it is damaged. It is particularly important that the oven door close properly and that there is no damage to the: (1) door (bent), (2) hinges and latches (broken or loosened), (3) door seals and sealing surfaces.
- d) The oven should not be adjusted or repaired by anyone except properly qualified service personnel.

STATE OF CALIFORNIA PROPOSITION 65 WARNINGS:



WARNING This product can expose you to chemicals including carbon monoxide, which is known to the State of California to cause birth defects or other reproductive harm. For more information, go to www.P65Warnings.ca.gov.

REGULATORY / CODE REQUIREMENTS

Installation of this appliance must be made in accordance with local codes. In the absence of local codes, this unit should be installed in accordance with the National Electrical Code and local codes.

This appliance must be electrically grounded in accordance with local codes or in the absence of local codes with the National Electrical Code *ANSI/NFPA 70*, or Canadian Electrical code *CSA C22.1*.

RADIO OR TV INTERFERENCE

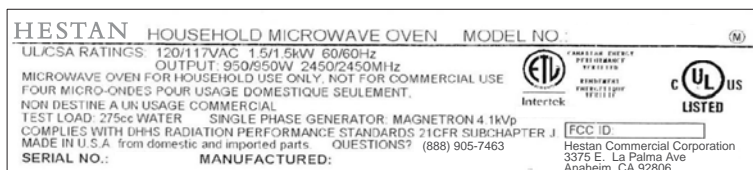
Should there be any interference caused by the Drawer Microwave to your radio or TV, check that the Drawer Microwave is on a different electrical circuit, relocate the radio or TV as far away from the drawer as feasible, or check position and signal of receiving antenna.

RATING LABEL

The rating label contains important information about your Hestan appliance such as the model and serial number.

The rating label is located on the bottom panel of the unit, behind the back edge of the opened drawer. See "DRAWER MICROWAVE PARTS IDENTIFICATION" on page 11.

If service is necessary, contact Hestan Customer Care with the model and serial number information shown on the label.



TYPICAL RATING LABEL

MODEL NUMBERS

MODEL NO.	DESCRIPTION	CIRCUIT BREAKER REQUIRED
KMWR30	30" Drawer Microwave	15 Amp

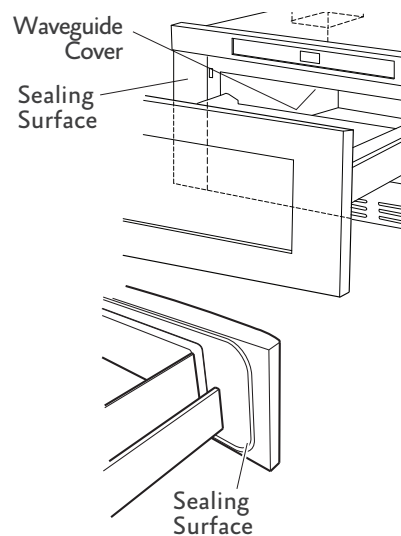
All units 115 VAC 60 Hz

INTRODUCTION

UNPACKING THE DRAWER MICROWAVE

1. Remove all packing materials from inside the Drawer Microwave. **DO NOT REMOVE THE WAVEGUIDE COVER**, which is located in the ceiling of the cooking cavity.
2. Remove the feature sticker, if there is one. (Not the Menu Label.) Check the drawer for any damage, such as misaligned or bent drawer, damaged drawer seals and sealing surfaces, broken or loose drawer guides and dents inside the cavity or on the front side of the drawer. If there is any damage, do not operate the Drawer Microwave and contact your dealer or Hestan.

See the Drawer Microwave Installation Manual for installation requirements and instructions.



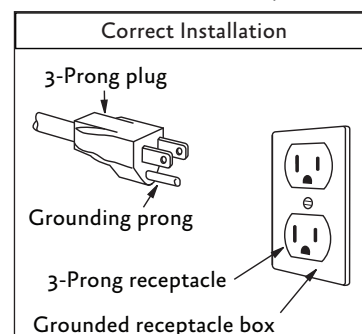
EN

GROUNDING INSTRUCTIONS

This appliance must be grounded. The Drawer Microwave is equipped with a cord having a grounding wire with a grounding plug. It must be plugged into a wall receptacle that is properly installed and grounded in accordance with the National Electrical Code and local codes and ordinances. In the event of an electrical short circuit, grounding reduces risk of electric shock by providing an escape wire for the electric current.

⚠️ WARNING Improper use of the grounding plug can result in a risk of electric shock. Do not use an extension cord. If the power supply cord is too short, have a qualified electrician or serviceman install an outlet near the appliance.

If you have any questions about the grounding or electrical instructions, consult a qualified electrician or service person.



ABOUT YOUR DRAWER MICROWAVE

ALWAYS have food in the Drawer Microwave when it is on to absorb the microwave energy.

The vent under the Drawer Microwave must not be blocked. During microwaving, steam may come from the left side lower vent (when facing the product).

When using the Drawer Microwave at power levels below 100%, you may hear the magnetron cycling on and off. It is normal for the exterior of the Drawer Microwave to be warm to the touch when cooking or reheating.

Condensation is a normal part of microwave cooking and the amount being vented is directly related to the moisture content of the food and room humidity. A cooler room will produce more condensation. Attention should be paid to the vented area after each use of the product and wiped down if needed.

The Drawer Microwave is for food preparation only. It should not be used to dry clothes or newspapers.

In using recipes or package directions, check food a minute or two before the minimum time and add time accordingly.

When opening or closing the Drawer Microwave quickly, food in the Drawer Microwave may be spilled. To clean, please refer to the Cleaning and Care section on page 23.

INTRODUCTION (CONT)

ABOUT MICROWAVE COOKING

- Arrange food carefully. Place thickest areas towards outside of dish.
- Watch cooking time. Cook for the shortest amount of time indicated and add more as needed. Food severely overcooked can smoke or ignite.
- Cover foods while cooking. Check recipe or cookbook for suggestions: paper towels, wax paper, microwave plastic wrap or a lid. Covers prevent spattering and help foods to cook evenly.
- Shield with small flat pieces of aluminum foil any thin areas of meat or poultry to prevent overcooking before dense, thick areas are cooked thoroughly.
- Stir foods from outside to center of dish once or twice during cooking, if possible.
- Turn foods over once during microwaving to speed cooking of such foods as chicken and hamburgers. Large items like roasts must be turned over at least once.
- Rearrange foods such as meatballs halfway through cooking both from top to bottom and from right to left.
- Add standing time. Remove food from Drawer Microwave and stir, if possible. Cover for standing time which allows the food to finish cooking without overcooking.
- Check for doneness. Look for signs indicating that cooking temperatures have been reached.

DONENESS SIGNS INCLUDE:

- Food steams throughout, not just at edge.
- Center bottom of dish is very hot to the touch.
- Poultry thigh joints move easily.
- Meat and poultry show no pinkness.
- Fish is opaque and flakes easily with a fork.

ABOUT UTENSILS AND COVERINGS

It is not necessary to buy all new cookware. Many pieces already in your kitchen can be used successfully in your new Drawer Microwave. Make sure the utensil does not touch the interior walls during cooking.

Use these utensils for safe microwave cooking and reheating:

- Glass ceramic (Pyroceram®), such as Corningware®.
- Heat-resistant glass (Pyrex®)
- Microwave-safe plastics
- Microwave-safe paper plates
- Microwave-safe pottery, stoneware and porcelain
- Browning dish (Do not exceed recommended preheating time. Follow manufacturer's directions.)

These items can be used for short time reheating of foods that have little fat or sugar in them:

- Wood, straw, wicker

DO NOT USE

- Metal pans and bakeware
- Dishes with metallic trim
- Non-heat-resistant glass
- Non-microwave-safe plastics (margarine tubs)
- Recycled paper products
- Brown paper bags
- Food storage bags
- Metal twist-ties

Should you wish to check if a dish is safe for microwaving, place the empty dish in the oven and microwave on HIGH for 30 seconds. A dish which becomes very hot should not be used.

The following coverings are ideal:

- Paper towels are good for covering foods for reheating and absorbing fat while cooking bacon.
- Wax paper can be used for cooking and reheating.
- Plastic wrap that is specially marked for microwave use can be used for cooking and reheating. DO NOT allow plastic wrap to touch food. Vent so steam can escape.
- Lids that are microwave-safe are a good choice because heat is kept near the food to hasten cooking.
- Oven cooking bags are good for large meats or foods that need tenderizing. DO NOT use metal twist ties. Remember to slit bag so steam can escape.

HOW TO USE ALUMINUM FOIL IN YOUR DRAWER MICROWAVE:

- Small flat pieces of aluminum foil placed smoothly on the food can be used to shield areas that are either defrosting or cooking too quickly.
- Foil should not come closer than one inch to any surface of the Drawer Microwave.

Should you have questions about utensils or coverings, check a good microwave cookbook or follow recipe suggestions.

ACCESSORIES

There are many microwave accessories available for purchase. Evaluate carefully before you purchase so that they meet your needs. A microwave-safe thermometer will assist you in determining correct doneness and assure you that foods have been cooked to safe temperatures. Hestan is not responsible for any damage to the Drawer Microwave when accessories are used.

CHILDREN AND THE MICROWAVE

Children below the age of 7 should use the Drawer Microwave with a supervising person very near to them. Between the ages of 7 and 12, the supervising person should be in the same room. The child must be able to reach the Drawer Microwave comfortably.

At no time should anyone be allowed to lean or swing on the Drawer Microwave.

Children should be taught all safety precautions: use potholders, remove coverings carefully, pay special attention to packages that crisp food because they may be extra hot.

Don't assume that because a child has mastered one cooking skill he/she can cook everything.

Children need to learn that the Drawer Microwave is not a toy. See page 21 for Control Lock feature.

FOOD SAFETY

Check foods to see that they are cooked to the United States Department of Agriculture's recommended temperatures.

145°F [62.8°C]	Fish
160°F [71.1°C]	Pork, ground beef/veal/lamb, egg dishes
165°F [73.9°C]	For leftover, ready-to-reheat refrigerated, and deli and carry-out "fresh" food. Whole, pieces and ground turkey/chicken/duck.

To test for doneness, insert a meat thermometer in a thick or dense area away from fat or bone. NEVER leave the thermometer in the food during cooking, unless it is approved for microwave use.

- ALWAYS use potholders to prevent burns when handling utensils that are in contact with hot food. Enough heat from the food can transfer through utensils to cause skin burns.
- Avoid steam burns by directing steam away from the face and hands. Slowly lift the farthest edge of a dish's covering and carefully open popcorn and oven cooking bags away from the face.
- Stay near the Drawer Microwave while it's in use and check cooking progress frequently so that there is no chance of overcooking food.
- NEVER use the Drawer Microwave for storing cookbooks or other items.
- Select, store and handle food carefully to preserve its high quality and minimize the spread of foodborne bacteria.
- Keep waveguide cover clean. Food residue can cause arcing and/or fires. See page 23.

ABOUT FOODS

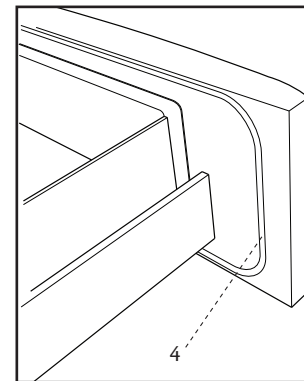
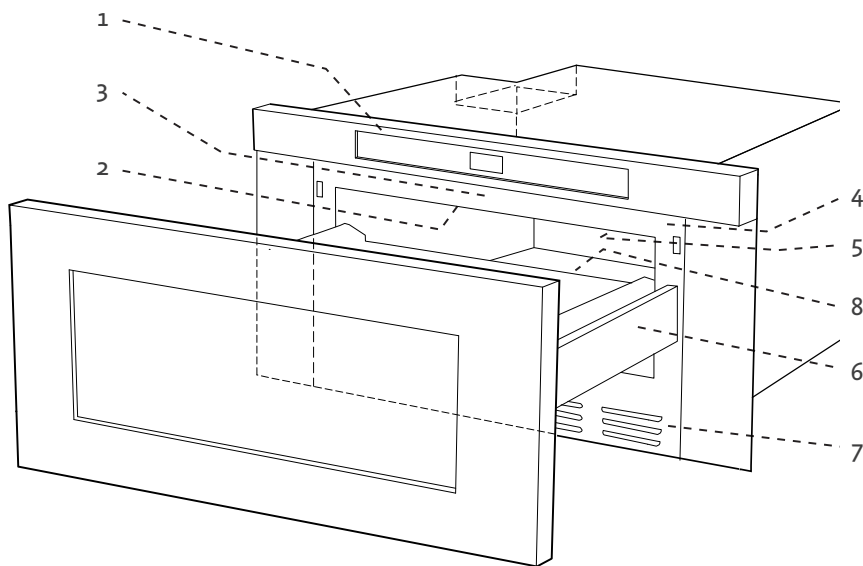
FOOD	DO	DON'T
Eggs, sausages, fruits & vegetables	<ul style="list-style-type: none"> • Puncture egg yolks before cooking to prevent "explosion". • Pierce skins of potatoes, apples, squash, hot dogs and sausages so that steam escapes. 	<ul style="list-style-type: none"> • Cook eggs in shells. • Reheat whole eggs. • Dry nuts or seeds in shells.
Popcorn	<ul style="list-style-type: none"> • Use specially bagged popcorn for the microwave. • Listen while popping corn for the popping to slow to 1 or 2 seconds or use special SENSOR POPCORN pad. 	<ul style="list-style-type: none"> • Pop popcorn in regular brown bags or glass bowls. • Exceed maximum time on popcorn package.
Baby food	<ul style="list-style-type: none"> • Transfer baby food to small dish and heat carefully, stirring often. Check temperature before serving. • Put nipples on bottles after heating and shake thoroughly. "Wrist" test before feeding. 	<ul style="list-style-type: none"> • Heat disposable bottles. • Heat bottles with nipples on. • Heat baby food in original jars.

INTRODUCTION (CONT.)

EN

FOOD	DO	DON'T
General	<ul style="list-style-type: none"> • Cut baked goods with filling after heating to release steam and avoid burns. • Stir liquids briskly before and after heating to avoid "eruption". • Use deep bowl, when cooking liquids or cereals, to prevent boilovers. • Food should be shorter than the Drawer Microwave. Please refer to the height of side walls of the drawer. 	<ul style="list-style-type: none"> • Heat or cook in closed glass jars or airtight containers. • Can in the microwave as harmful bacteria may not be destroyed. • Deep fat fry. • Dry wood, gourds, herbs or wet papers.

DRAWER MICROWAVE PARTS IDENTIFICATION

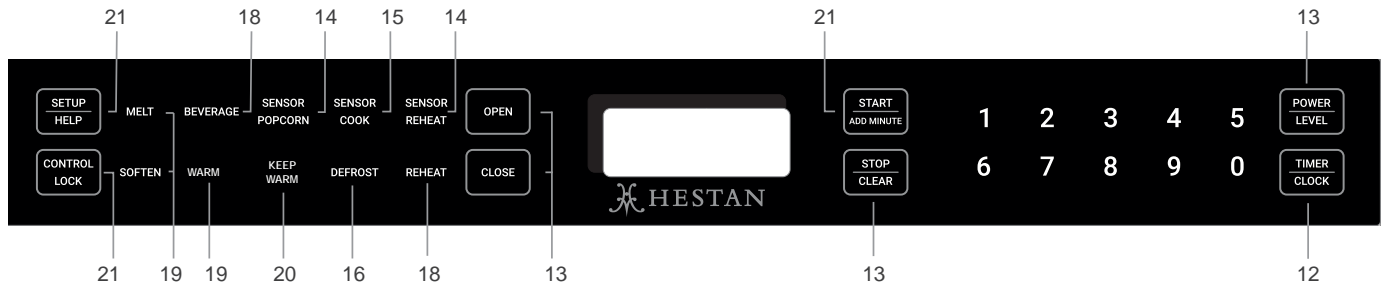


1. Control panel
2. Waveguide cover **DO NOT REMOVE**
3. Drawer Microwave Menu Label
4. Drawer sealing surfaces
5. Drawer light
6. Drawer guides
7. Vent
8. Rating Plate: open the drawer fully. The label is on the floor of the enclosure, just behind the opened drawer.

INTRODUCTION (CONT)

CONTROLS

The following illustration depicts the control panel and shows the page numbers to find information about each item.



Numbers next to the illustration indicate pages on which there are feature descriptions and usage information.

BEFORE OPERATING

Before operating your new Drawer Microwave make sure you read and understand this operation manual completely.

- Before the Drawer Microwave can be used, follow these steps:

1. Plug in the Drawer Microwave. will appear.
2. Touch the **STOP/CLEAR** pad. will appear.
3. Set clock as follows:

TO SET THE CLOCK

4. Touch **TIMER/CLOCK** pad and number .
5. Touch number pads for correct time of day and touch **TIMER/CLOCK** pad again.

This is a 12 hour clock. If you attempt to enter an incorrect clock time, will appear in the display. Touch the **STOP/CLEAR** pad and re-enter the time.

- If the electrical power supply to your Drawer Microwave should be interrupted, the display will intermittently show after the power is reinstated. If this occurs during cooking, the program will be erased. The time of day will also be erased. Simply touch **STOP/CLEAR** pad and reset the clock for the correct time of day.

NOTE:

- The Drawer Microwave can be programmed with the drawer open except for **START/ADD MINUTE**.

TIMER

1. Touch **TIMER/CLOCK** pad and number .
2. Enter time.
3. Touch **TIMER/CLOCK** pad again.

To cancel timer, touch **STOP/CLEAR**.

BEFORE OPERATING (CONT.)

STOP/CLEAR

Touch the **STOP/CLEAR** pad to:

1. Erase if you make a mistake during programming.
2. Cancel timer.
3. Stop the Drawer Microwave temporarily during timed cooking.
4. Return the time of day to the display.
5. Cancel a program during cooking, touch twice for timed cooking.

OPEN, CLOSE

To open or close the Drawer Microwave, touch the **OPEN** or **CLOSE** pad on the control panel to open or close the Drawer Microwave. In case the Drawer Microwave is stopped in the middle, open or close the drawer manually to full open or close position by gently pulling or pushing with even pressure near the middle of the drawer handle.

DRAWER MICROWAVE COOKING

TIME COOKING

Your Drawer Microwave can be programmed for 99 minutes 99 seconds (99.99). Always enter the seconds after the minutes, even if they are both zeros.

- Suppose you want to cook for 5 minutes at 100%.

1. Enter cooking time **5 0 0**. The display will show **5.00 TOUCH START OR TOUCH POWER LEVEL**.

2. To cook at 100% power (High), touch **START/ADD MINUTE** pad.

TO SET POWER LEVEL

There are eleven preset power levels. Using lower power levels increases the cooking time, which is recommended for foods such as cheese, milk and long slow cooking of meats. Consult a microwave cookbook or recipes for specific recommendations.

- Suppose you want to defrost for 5 minutes at 30%.

1. Enter defrost time **5 0 0**. **5.00**
2. Touch **POWER LEVEL** pad 8 times.
3. Touch **START/ADD MINUTE** pad.

Touch POWER LEVEL pad number of times for desired power	Approximate percentage of power	Common words for power levels
POWER LEVEL x 1	100%	High
POWER LEVEL x 2	90%	
POWER LEVEL x 3	80%	
POWER LEVEL x 4	70%	Medium High
POWER LEVEL x 5	60%	
POWER LEVEL x 6	50%	Medium
POWER LEVEL x 7	40%	
POWER LEVEL x 8	30%	Med Low/ Defrost
POWER LEVEL x 9	20%	
POWER LEVEL x 10	10%	Low
POWER LEVEL x 11	0%	

DRAWER MICROWAVE COOKING (CONT.)

SENSOR SETTINGS

Hestan's Sensor is a semi-conductor device that detects the vapor (moisture and humidity) emitted from the food as it heats. The sensor adjusts the cooking times and power levels for various foods and quantities.

USING SENSOR SETTINGS:

- After the Drawer Microwave is plugged in, wait 2 minutes before using any sensor setting.
- Be sure the exterior of the cooking container and the interior of the Drawer Microwave are dry. Wipe off any moisture with a dry cloth or paper towel.
- The sensor works with foods at normal storage temperature. For example, popcorn would be at room temperature.
- Any sensor selection can be programmed with MORE OR LESS TIME ADJUSTMENT. See page 21.
- More or less food than the quantity listed in the charts should be cooked following the guidelines in any microwave cookbook.
- During the first part of sensor use, the food name will appear on the display. Do not open the Drawer Microwave or touch **STOP/CLEAR** during this part of the cycle. The measurement of vapor will be interrupted. If this occurs, an error message will appear. To continue cooking, touch the **STOP/CLEAR** pad and cook manually.

When the sensor detects the vapor emitted from the food, the remainder of cooking/reheating time will appear. The Drawer Microwave may be opened when the remaining time appears on the display. At this time, you may stir or season food, as desired.

- Except for Popcorn, if the sensor does not detect vapor properly when cooking other foods, **ERROR** will be displayed, and the microwave will turn off.
- Check food temperature after cooking. If additional time is needed, continue to cook manually.
- Each food has a cooking hint. Touch the **SETUP/HELP** pad when the HELP indicator is lighted in the display.

COVERING FOODS:

Some foods work best when covered. Use the cover recommended in the charts for these foods. You may refer to the hints by touching the **SETUP/HELP** pad. See page 21.

- Casserole lid.
- Plastic wrap: Use plastic wrap recommended for microwave cooking. Cover dish loosely; allow approximately 1/2 inch to remain uncovered to allow steam to escape. Plastic wrap should not touch food.
- Wax paper: Cover dish completely; fold excess wrap under dish to secure. If dish is wider than paper, overlap two pieces at least one inch to cover.

Be careful when removing any covering to allow steam to escape away from you.

SENSOR POPCORN / SENSOR REHEAT

You can pop popcorn and reheat many foods and don't need to calculate cooking time or power level.

Touch **SENSOR REHEAT** or **SENSOR POPCORN** and **START/ADD MINUTE** pad.

The Sensor Popcorn setting has 2 choices. Follow directions in the display to choose desired option.

When the sensor detects the vapor emitted from the food, the remainder of cooking/reheating time will appear.

DRAWER MICROWAVE COOKING (CONT.)

EN

SENSOR POPCORN / SENSOR REHEAT CHART

FOOD	AMOUNT	PROCEDURE
Sensor Popcorn	Only 1 package at a time	Use only popcorn packaged for the microwave. Try several brands to decide which you like. Do not try to pop unpopped kernels.
	2.85 - 3.5 oz. (Regular / Regular light)	Touch SENSOR POPCORN pad once.
	1.2 - 1.75 oz. (Mini / Snack)	Touch SENSOR POPCORN pad twice.
Sensor Reheat	4 - 36 oz.	Place in dish or casserole slightly larger than amount to be reheated. Flatten, if possible. Cover with lid, plastic wrap or wax paper. Use covers such as plastic wrap or lids with larger quantities of more dense foods such as stews. After reheating, stir well, if possible. Re-cover and allow to stand 2 to 3 minutes. Foods should be very hot. If not, continue to heat with variable power and time.

SENSOR COOKING

1. Touch **SENSOR COOK** pad once.
2. See Menu Label. Select desired food by touching number pad. Ex: Touch for baked potatoes.
3. Touch **START/ADD MINUTE** pad.

Note: To heat or cook other foods or foods above or below the quantity allowed on the **SENSOR COOK CHART**, cook manually.

SENSOR COOK CHART

	FOOD	AMOUNT	PROCEDURE
1.	Quick fresh vegetables: Broccoli Brussels sprouts Cabbage Cauliflower (flowerets) Cauliflower (whole) Spinach Zucchini Baked apples	.25 - 2.0 lb. .25 - 2.0 lb. .25 - 2.0 lb. .25 - 2.0 lb. 1 med. .25 - 1.0 lb. .25 - 2.0 lb. 2 - 4 med.	Wash and place in casserole. Add no water if vegetables have just been washed. Cover with lid for tender vegetables. Use plastic wrap for tender-crisp vegetables. After cooking, stir, if possible. Let stand, covered, for 2 to 5 minutes.
2.	Longer Fresh vegetables: Carrots, sliced Corn on the cob Green beans Winter squash: diced halves	.25 - 1.5 lb. 2 - 4 .25 - 1.5 lb. .25 - 1.5 lb. 1 - 2	Place in casserole. Add 1 - 4 tablespoons water. Cover with lid for tender vegetables. Use plastic wrap cover for tender-crisp vegetables. After cooking, stir, if possible. Let stand, covered, for 2 to 5 minutes.
3.	Frozen vegetables	.25 - 1.25 lb.	Add no water. Cover with lid or plastic wrap. After cooking, stir and let stand, covered, for 3 minutes.

DRAWER MICROWAVE COOKING (CONT.)

	FOOD	AMOUNT	PROCEDURE															
4.	Frozen entrees	6 - 17 oz.	Use this pad for frozen convenience foods. It will give satisfactory results for most brands. You may wish to try several and choose your favorite. Remove package from outer wrapping and follow package directions for covering. After cooking, let stand, covered, for 1-3 minutes															
5.	Baked potatoes	1 - 6 med.	Pierce. Place on paper-towel-lined Drawer Microwave. After cooking, remove from microwave, wrap in aluminum foil and let stand 5 to 10 minutes.															
6.	Sweet potatoes	1 - 6 med.																
7.	Ground meat	.25 - 2.0 lb.	Use this setting to cook ground beef or turkey as patties or in a casserole to be added to other ingredients. Place patties on a microwave-safe rack and cover with wax paper. Place ground meat in a casserole and cover with wax paper or plastic wrap. When microwave stops, turn patties over or stir meat in casserole to break up large pieces. Re-cover and touch START/ADD MINUTE . After cooking, let stand, covered, for 2 to 3 minutes.															
8.	Fish/seafood	.25 - 2.0 lb.	Arrange in ring around shallow glass dish (roll fillet with edges underneath). Cover with vented plastic wrap. After cooking, let stand, covered for 3 minutes.															
9.	White rice	.5 - 2.0 cups	Place rice into a deep casserole and add double quantity of water. Cover with lid or plastic wrap. After cooking, stir, cover and let stand 3 to 5 minutes or until all liquid has been absorbed.															
10.	Brown rice	.5 - 2.0 cups																
			<table border="1"> <thead> <tr> <th>RICE</th> <th>WATER</th> <th>SIZE OF CASSEROLE</th> </tr> </thead> <tbody> <tr> <td>.5 cup</td> <td>1 cup</td> <td>1.5 quart</td> </tr> <tr> <td>1 cup</td> <td>2 cups</td> <td>2 quart</td> </tr> <tr> <td>1.5 cups</td> <td>3 cups</td> <td>2.5 or 3 quart</td> </tr> <tr> <td>2 cups</td> <td>4 cups</td> <td>3 quart or larger</td> </tr> </tbody> </table>	RICE	WATER	SIZE OF CASSEROLE	.5 cup	1 cup	1.5 quart	1 cup	2 cups	2 quart	1.5 cups	3 cups	2.5 or 3 quart	2 cups	4 cups	3 quart or larger
RICE	WATER	SIZE OF CASSEROLE																
.5 cup	1 cup	1.5 quart																
1 cup	2 cups	2 quart																
1.5 cups	3 cups	2.5 or 3 quart																
2 cups	4 cups	3 quart or larger																

DEFROST

Use this feature to defrost the foods shown in the DEFROST CHART below.

- Touch **DEFROST** pad.
- See Menu Label. Select desired food by touching the number pad.
Ex: Touch for steaks/chops.
- Enter weight by touching number pads. Ex: for one pound, touch . is shown.
- Touch **START/ADD MINUTE** pad.
The oven will stop so that the food can be checked.
- After the first stage, open the Drawer Microwave. Turn steak over and shield any warm portions. Close the Drawer Microwave. Touch **START/ADD MINUTE** pad.
- After the second stage, open the Drawer Microwave. Shield any warm portions. Close the Drawer Microwave. Touch **START/ADD MINUTE** pad.

DRAWER MICROWAVE COOKING (CONT.)

7. After defrost cycle ends, cover and let stand as indicated in the chart below.

NOTE:

- Defrost can be programmed with MORE OR LESS TIME ADJUSTMENT. See page 21.
- To defrost other foods or foods above or below the weights allowed on the DEFROST CHART, see MANUAL DEFROST below.
- Check foods when oven signals. After final stage, small sections may still be icy. Let stand to continue thawing. Do not cook until all ice crystals are thawed.
- Shielding prevents cooking from occurring before the center of the food is defrosted. Use small smooth strips of aluminum foil to cover edges and thinner sections of the food.

DEFROST CHART

	FOOD	AMOUNT	PROCEDURE
1.	Ground meat	1/2 - 2.0 lb	Remove any thawed pieces after each audible signal. Let stand, covered, for 5 to 10 minutes.
2.	Steaks/ chops	1/2 - 3.0 lb	After each audible signal, rearrange and if there are warm or thawed portions, shield with small flat pieces of aluminum foil. Remove any meat or fish that is almost defrosted. Let stand, covered, for 10 to 20 minutes.
3.	Boneless poultry	1/2 - 2.0 lb	After each audible signal, if there are warm or thawed portions, rearrange or remove. Let stand, covered, for 10 to 20 minutes.
4.	Bone-in poultry	1/2 - 3.0 lb	After each audible signal, rearrange pieces or remove portions should they become warm or thawed. Let stand, covered, for 10 to 20 minutes.
5.	Roast	2.0 - 4.0 lb	Start defrosting with fat side down. After each stage, turn roast over and shield the warm portions with aluminum foil. Let stand, covered, for 30 to 60 minutes.
6.	Casseroles, Soup	2 - 6 cups 1 - 6 cups	After each audible signal, break apart and remove any defrosted part. At end, stir well and let stand, covered, for 5 to 10 minutes.

MANUAL DEFROST

If the food that you wish to defrost is not listed on the DEFROST CHART or is above or below the limits in the AMOUNT column on the DEFROST CHART, you need to defrost manually.

You can defrost any frozen food, either raw or previously cooked, by using Power Level at 30%. Follow the exact 3-step procedure found under TO SET POWER LEVEL on page 13. Estimate defrosting time and touch **POWER LEVEL** pad eight times for 30% power.

For either raw or previously cooked frozen food the rule of thumb is approximately 4 minutes per pound. For example, defrost 4 minutes for 1 pound of frozen spaghetti sauce.

Always stop the oven periodically to remove or separate the portions that are defrosted. If food is not defrosted at the end of the estimated defrosting time, program the oven in 1 minute increments on Power Level 30% until totally defrosted.

When using plastic containers from the freezer, defrost only long enough to remove from the plastic in order to place in a microwave-safe dish.

DRAWER MICROWAVE COOKING (CONT.)

REHEAT

Reheat automatically computes the correct warming time and microwave power level for foods shown in the chart below.

1. Touch **REHEAT** pad once.
2. See Menu Label. Select desired food by touching number pad. Ex: Touch for frozen rolls or muffins.
3. Touch the number pad to select quantity. Ex: Touch for 2 rolls or muffins.
4. Touch **START/ADD MINUTE** pad.

NOTE:

- Reheat can be programmed with MORE OR LESS TIME ADJUSTMENT. See page 21.
- To reheat other foods or foods above or below the quantity allowed on the REHEAT CHART, heat manually.

REHEAT CHART

	FOOD	AMOUNT	PROCEDURE
1.	Fresh rolls/ muffins	1 - 8 pcs	Use this pad to warm rolls, muffins, biscuits, bagels etc. Large items should be considered as 2 or 3 regular size. Arrange on plate; cover with paper towel. For refrigerated rolls or muffins, it may be necessary to double the entered amount to ensure the proper serving temperature. For example, enter quantity of 2 for 1 refrigerated muffin.
2.	Frozen rolls/ muffins	1 - 8 pcs	Use this pad to warm frozen rolls, muffins, biscuits, bagels etc. Large items should be considered as 2 or 3 regular size. Arrange on plate; cover with paper towel.

BEVERAGE CENTER

Beverage Center enables you to reheat coffee or tea to restore to a more suitable drinking temperature or to make instant coffee or tea.

Suppose you want to make 2 cups of coffee.

1. Touch **BEVERAGE** pad once.
2. See Menu Label. Select desired selection by touching number pad. Ex: Touch to make coffee.
3. Repeating touching same number pad to select quantity. Ex: Touch two more times for 2 cups of coffee.
4. Touch **START/ADD MINUTE** pad.

NOTE:

- Beverage Center can be programmed with MORE OR LESS TIME ADJUSTMENT. See page 21.
- Should you attempt to enter more or less than the allowed amount, an error message will appear in the display.

DRAWER MICROWAVE COOKING (CONT.)

EN

BEVERAGE CENTER CHART

	FOOD	AMOUNT	PROCEDURE
1	Reheat beverage	1/2 - 2 cups	This setting for good for restoring cooled beverage to a better drinking temperature. Touch number 1 pad for a 1/2 cup increase per touch. Stir after heating.
2	Hot water	1 - 6 cups	Use this setting for heating COLD TAP WATER to a temperature somewhat below the boiling point to make instant coffee or tea. Touch number 2 pad for 1 cup increase per touch. Stir liquid briskly before and after heating to avoid "eruption".

MELT/SOFTEN/WARM

Melt, Soften and Warm automatically compute the correct heating time and microwave power level for melting, softening and warming foods shown in the chart below.

1. Touch **MELT** pad once.
2. See Menu Label. Select desired food by touching number pad. Ex: Touch **2** for chocolate.
3. Repeat touching same number pad to select quantity.
Ex: Touch **2** two more times for 1 square (1 oz).
4. Touch **START/ADD MINUTE** pad.

NOTE:

- Melt, Soften and Warm can be programmed with MORE OR LESS TIME ADJUSTMENT. See page 21.
- To melt, soften or warm other food or foods above or below the quantity allowed on the MELT/SOFTEN/WARM CHART, use manual operation.

MELT/SOFTEN/WARM CHART

	FOOD	AMOUNT	PROCEDURE
MELT			Use a Pyrex measuring cup. Cover with plastic wrap.
1.	Butter	2 tbsp 1/2 cup	After touching MELT , touch 1 two times for 2 tbsp. After touching MELT , touch 1 three times for 1/2 cup.
2.	Chocolate	1 cup chips 1 square (1 oz.)	After touching MELT , touch 2 two times for 1 cup chips. After touching MELT , touch 2 three times for 1 square (1 oz.).
SOFTEN			DO NOT COVER.
1.	Ice cream	1 pint 1/2 gallon	After touching SOFTEN , touch 1 two times for 1 pint. After touching SOFTEN , touch 1 three times for 1/2 gallon.
2.	Cream cheese	3 oz. 8 oz.	After touching SOFTEN , touch 2 two times for 3 oz. After touching SOFTEN , touch 2 three times for 8 oz.
WARM			Use a Pyrex measuring cup. DO NOT COVER.
1.	Syrup	1/4 cup 1/2 cup	After touching WARM , touch 1 two times for 1/4 cup. After touching WARM , touch 1 three times for 1/2 cup.
2.	Dessert toppings	1/4 cup 1/2 cup	After touching WARM , touch 2 two times for 1/4 cup. After touching WARM , touch 2 three times for 1/2 cup.

OTHER FEATURES

KEEP WARM

Keep Warm allows you to keep food warm up to 30 minutes.

DIRECT USE

1. Touch **KEEP WARM** pad.
2. Enter desired time by touching the number pads. To enter 30 minutes, touch .
3. Touch **START/ADD MINUTE** pad.

The oven will start. The display will show and count down. will be displayed intermittently during the count down.

WITH MANUAL COOKING

1. Enter desired cooking time and power level.
2. Touch **KEEP WARM** pad.
3. Enter desired warming time up to 30 minutes.
4. Touch **START/ADD MINUTE** pad.

The operation will start. When the cooking time is complete, a long tone will sound and Keep Warm will start. The display will count down. will be displayed intermittently during the count down.

NOTE:

- If you attempt to enter more than 30 minutes for Keep Warm, an error message will appear in the display.
- Keep Warm cannot be programmed with Sensor Popcorn, Sensor Reheat, Sensor Cook, Defrost or Reheat.

MULTIPLE SEQUENCE COOKING

Your Drawer Microwave can be programmed for up to 4 automatic cooking sequences, switching from one power level setting to another automatically.

Sometimes cooking directions tell you to start on one power level and then change to a different power level. Your Drawer Microwave can do this automatically.

1. First enter cooking time. Then touch **POWER LEVEL** pad once for 100% cooking or repeat touching **POWER LEVEL** pad for a lower power level.
2. Enter second cooking time. Repeat touching **POWER LEVEL** pad for desired level. You can follow this procedure up to 4 times.
3. Touch **START/ADD MINUTE** pad.

NOTE:

- If **POWER LEVEL** pad is touched once, will be displayed.
- If 100% is selected as the final sequence, it is not necessary to touch the **POWER LEVEL** pad.
- If you wish to know power level during cooking, simply touch the **POWER LEVEL** pad. As long as your finger is touching the **POWER LEVEL** pad, the power level will be displayed.
- Keep Warm can be programmed even if 4 cooking sequences have been set.

OTHER FEATURES (CONT.)

EN

ADD MINUTE

ADD MINUTE allows you to cook for a minute at 100% by simply touching the **START/ADD MINUTE** pad. You can also extend cooking time in multiples of 1 minute by repeatedly touching the **START/ADD MINUTE** pad during manual cooking.

NOTE:

- To use **ADD MINUTE**, touch pad within 3 minutes after cooking, closing the drawer or touching the **STOP/CLEAR** pad.
- **ADD MINUTE** cannot be used with Sensor settings, Reheat or Defrost.

MORE OR LESS TIME ADJUSTMENT

Should you discover that you like any of the Sensor, Reheat or Defrost settings slightly more done, touch the **POWER LEVEL** pad once after touching your selection. The display will show **MORE**.

For slightly less done, touch the **POWER LEVEL** pad twice after touching your selection. The display will show **LESS**.

CONTROL LOCK

The Control Lock prevents unwanted drawer operation such as by small children. The Drawer Microwave can be set so that the control panel and the automatic door mechanism are deactivated or locked.

TO LOCK

Touch **CONTROL LOCK** pad and hold for 3 seconds. The display shows **LOCK ON**.

TO UNLOCK

Touch **CONTROL LOCK** pad and hold for 3 seconds. The display shows **LOCK OFF**.

The **CONTROL LOCK** is canceled when the electrical power supply to your oven is interrupted. Set the **CONTROL LOCK** again when power to the oven is restored.

SETUP/HELP

Each setting of Sensor Reheat, Sensor Cook, Sensor Popcorn, Keep Warm, Reheat and Defrost has a cooking hint. To view, touch **SETUP/HELP** whenever **HELP** is lighted in the Interactive Display for these and other manual operation hints.

MUTING AUDIBLE SIGNALS

At the end of timed cook, beeps will sound. The audible signal can be turned off if you prefer quiet operation.

TO TURN SOUND OFF

1. Touch **SETUP/Help** pad. **TOUCH** **AGAIN**
2. Touch **SETUP/HELP** pad again. **SOUND** **OFF ?** **TOUCH** **START**
3. Touch **START/ADD MINUTE** pad. The display shows **SOUND** **OFF**

TO RESTORE SOUND

1. Touch **SETUP/HELP** pad. **TOUCH** **AGAIN**
2. Touch **SETUP/HELP** pad again. **SOUND** **ON ?** **TOUCH** **START**
3. Touch **START/ADD MINUTE** pad. The display shows **SOUND** **ON**

OTHER FEATURES (CONT.)

END OF COOKING REMINDER

At end of timed cooking, the microwave will signal every 10 seconds for the first minute; then every 3 minutes until **STOP/CLEAR** pad is touched, up to one hour.

TO TURN REMINDER OFF

1. Touch **SETUP/HELP** pad three times. The display shows .
2. Touch **START/ADD MINUTE** pad. The display shows .

TO TURN REMINDER SIGNAL BACK ON

3. Touch **SETUP/HELP** pad three times. The display shows .
4. Touch **START/ADD MINUTE** pad. The display shows .

TIMED START

If you wish to program the Drawer Microwave to begin cooking automatically at a designated time of day, follow this procedure.

1. Touch **SETUP/HELP** pad 4 times. The display shows .
2. Touch **START/ADD MINUTE** pad. .
3. Enter start time. .
4. Touch **TIMER/CLOCK** pad. .
5. Touch the number pads to enter cooking time. .
Touch **POWER LEVEL** pad repeatedly until the desired power level is reached. .
6. Touch **START/ADD MINUTE** pad.

DEMONSTRATION MODE

The Drawer Microwave doesn't heat in Demo Mode, and the display counts down quickly.

TO SELECT DEMO MODE

1. Touch **SETUP/HELP** pad five times. The display shows .
2. Hold **START/ADD MINUTE** pad for 3 seconds. The display shows .

TO CANCEL DEMO MODE

1. Touch **SETUP/HELP** pad five times. The display shows .
2. Touch **START/ADD MINUTE** pad. The display shows .

NOTE:

- If the electrical power supply to your Drawer Microwave should be interrupted, the display will intermittently show after the power is reinstated. If this occurs, any **SETUP/HELP** options you input will be erased. Simply touch **STOP/CLEAR** and set the clock.

STANDBY MODE

This microwave will go into standby mode after a period of inactivity. The backlight of the display will automatically dim after 3 minutes if the unit has not been in operation. If the display is in standby mode, simply touch the control panel or open/close the door to return the backlight to maximum brightness.

CLEANING AND CARE

EN

EXTERIOR CLEANING

The outside surface is precoated metal and plastic. Clean the outside with mild soap and water; rinse and dry with a soft cloth. Do not use any type of household or abrasive cleaner.

STAINLESS STEEL SURFACE

The exterior should be wiped often with a soft damp cloth and polished with a soft dry cloth to maintain its beauty. There are also a variety of products designed especially for cleaning and shining the stainless exterior of the oven. We recommend that the cleaner be applied to a soft cloth and then carefully used on the stainless exterior rather than sprayed directly on to it. Follow package directions carefully.



FRONT SIDE OF THE DRAWER

Wipe the window on both sides with a soft damp cloth to remove any spills or spatters. Metal parts will be easier to maintain if wiped frequently with a soft damp cloth. Avoid the use of spray and other harsh cleaners as they may stain, streak or dull the drawer surface.

TOUCH CONTROL PANEL

If desired, the touch pads may be deactivated before cleaning. See the Control Lock information on page 21 of this manual. Wipe the panel with a cloth dampened slightly with water only. Dry with a soft cloth. Do not scrub or use any sort of chemical cleaners. Close drawer and follow directions on page 21 for turning Control Lock off. Touch **STOP/CLEAR**.

INTERIOR CLEANING

Before cleaning the Drawer Microwave, touch and hold the Control Lock button for 3 seconds to lock the control pad and the automatic door mechanism. The drawer can be locked in either the open or closed position. The display will show . This will prevent the drawer from accidentally opening or closing during cleaning. After cleaning, touch and hold the Control Lock button for 3 seconds to turn the lock off. The display will show .

Cleaning is easy because no heat is generated to the interior surfaces; therefore, there is no baking and setting of spills or spattering. To clean the interior surfaces, including drawer sealing surfaces, wipe with a soft damp cloth. **DO NOT USE ABRASIVE OR HARSH CLEANERS OR SCOURING PADS.** For heavier soil, use mild soap; wipe clean with a soft damp cloth. Do not use any chemical oven cleaners.

DRAWER GUIDES

Remove the food crumbs from the drawer guides. Wipe with a soft dry cloth in order to keep the Drawer Microwave opening and closing smoothly.

WAVEGUIDE COVER

NOTICE THE WAVEGUIDE COVER, LOCATED ON THE INSIDE TOP OF THE DRAWER MICROWAVE AREA, IS MADE FROM MICA, SO IT REQUIRES SPECIAL CARE. KEEP THE WAVEGUIDE COVER CLEAN TO ASSURE GOOD MICROWAVE PERFORMANCE. CAREFULLY WIPE WITH A SOFT DAMP CLOTH ANY FOOD SPATTERS FROM THE SURFACE OF THE COVER IMMEDIATELY AFTER THEY OCCUR. BUILT-UP SPLASHES MAY OVERHEAT AND CAUSE SMOKE OR POSSIBLY CATCH FIRE. DO NOT REMOVE THE WAVEGUIDE COVER.

ODOR REMOVAL

Occasionally, a cooking odor may remain in the Drawer Microwave. To remove odor, combine 1 cup water, grated peel and juice of one lemon and several whole cloves in a 2-cup glass microwave-safe measuring cup. Boil for several minutes using 100% power. Leave in the Drawer Microwave until water cools. Wipe interior with a soft cloth.

TROUBLESHOOTING

BEFORE YOU CALL FOR SERVICE

Please check the following before calling for service. It may save you time and expense.

	PROBLEM	POSSIBLE CAUSE	SOLUTION
1.	Part or all of Drawer Microwave does not operate.	<ul style="list-style-type: none">• Power cord of Drawer Microwave is not completely connected to the electrical outlet.• Power outage.• Fuse/circuit breaker at home doesn't work.• Drawer Microwave is in Demo Mode.	<ul style="list-style-type: none">• Make sure the power cord is tightly connected to the outlet.• Check house lights to be sure. Call your local electric company for service.• Replace the fuse or reset the circuit breaker.• See page 22 for how to cancel Demo Mode.
2.	Food in Drawer Microwave is not heated.	<ul style="list-style-type: none">• No power to the appliance.• Drawer controls improperly set.• Drawer is in Demo Mode.	<ul style="list-style-type: none">• See solution for problem 1 above.• Check if the controls have been properly set.• See page 22
3.	Drawer Microwave light does not work.	<ul style="list-style-type: none">• Light bulb is loose or burned out.	<ul style="list-style-type: none">• Call for service.
4.	Touch controls will not operate.	<ul style="list-style-type: none">• Control Lock is on.	<ul style="list-style-type: none">• See page 21 to unlock.
5.	Display flashes.	<ul style="list-style-type: none">• Power failure.	<ul style="list-style-type: none">• Touch Clear pad and reset the clock. If the Drawer Microwave was in use, you must reset the cooking function.
6.	Steam from the vent	<ul style="list-style-type: none">• During microwaving, steam may come from the right side of the vent.	

DRAWER MICROWAVE AUTO-TOUCH GUIDE

For more complete information and safety precautions, refer to detailed sections in this manual.

SET CLOCK

1. Touch **TIMER/CLOCK** pad and number **2**.
2. Touch number pads for correct time of day and touch **TIMER/CLOCK** pad again.

If the electrical power supply to your range should be interrupted, the display will intermittently show:

ENJOY
YOUR
MICRO-
WAVE
TOUCH
CLEAR
AND
TOUCH
CLOCK

TIME COOKING

HIGH POWER COOKING

1. Enter cooking time by touching number pads. (Ex: **5 0 0** to cook for 5 minutes)
2. Touch **START/ADD MINUTE** pad.

5.00	TOUCH
START	OR
TOUCH	POWER
LEVEL	

VARIABLE POWER COOKING

1. After step 1 above, touch **POWER LEVEL** pad until desired power level is in the display.
2. Touch **START/ADD MINUTE** pad.

SENSOR COOK

Sensor Cook automatically computes the correct time and power level to cook foods on the Menu Label perfectly.

1. Touch **SENSOR COOK** pad once.
2. See Menu Label. Select desired food by touching number pad. Ex: Touch **5** for baked potatoes.
3. Touch **START/ADD MINUTE** pad.

SEE
LABEL
SELECT
FOOD
NUMBER

ADD MINUTE

Touch **START/ADD MINUTE** for one minute at 100% microwave power or to add a minute during manual cooking. Continue to touch for additional minutes.

SENSOR POPCORN/SENSOR REHEAT

Touch **SENSOR POPCORN** or **SENSOR REHEAT** and **START/ADD MINUTE** pad.

REHEAT

Reheat automatically computes the correct warming time and microwave power level for foods shown on the Menu Label.

1. Touch **REHEAT** pad once.
2. See Menu Label. Select desired food by touching the number pad. Ex: Touch **2** for frozen rolls or muffins.
3. Touch the number pad to select quantity. Ex: Touch **2** for 2 rolls or muffins.
4. Touch **START/ADD MINUTE** pad.

SEE	LABEL
SELECT	FOOD
NUMBER	

FROZEN	ROLLS
MUFFINS	
ENTER	NUMBER

2 PCS

DEFROST

Use this feature to defrost the foods shown on the Menu Label.

1. Touch **DEFROST** pad.
2. See Menu Label. Select desired food by touching the number pad. Ex: Touch **2** for steaks/chops.
3. Enter weight by touching number pads.
4. Touch **START/ADD MINUTE** pad.
5. Microwave will stop to allow food to be turned over, shielded and/or removed. Close the Drawer Microwave. Touch **START/ADD MINUTE** pad.

SEE	LABEL
SELECT	FOOD
NUMBER	

STEAKS	CHOPS
ENTER	WEIGHT

1.0 Lb

DRAWER MICROWAVE AUTO-TOUCH GUIDE

EN

TIMER

1. Touch **TIMER/CLOCK** pad and number **1**.
2. Enter time.
3. Touch **TIMER/CLOCK** pad again.
To cancel timer, touch **STOP/CLEAR**.

KEEP WARM

Micro Warm allows you to keep food warm up to 30 minutes.

DIRECT USE

1. Touch **KEEP WARM** pad.

ENTER	TIME
UP TO	30
MINUTES	
2. Enter desired time by touching the number pads. To enter 30 minutes, touch **3 0 0 0**.

30:00	TOUCH
START	
3. Touch **START/ADD MINUTE** pad.

WITH MANUAL COOKING

1. Enter desired cooking time and power level.
2. Touch **KEEP WARM** pad.
3. Enter desired warming time up to 30 minutes.
4. Touch **START/ADD MINUTE** pad.

MELT / SOFTEN / WARM

Use these features to melt or soften the foods shown on the Menu Label.

1. Touch **MELT** pad once.

SEE	LABEL
SELECT	FOOD
NUMBER	
2. See Menu Label. Select desired food by touching the number pad.
Ex: Touch **2** for chocolate.

CHOCO-	LATE
--------	------
3. Repeat touching same number pad to select quantity. Ex: touch **2** two more times for 1 square (1 oz).
4. Touch **START/ADD MINUTE** pad.

CONTROL LOCK

The Control Lock prevents unwanted oven/drawer operation such as by small children. The Drawer Microwave can be set so that the control panel is deactivated or locked.

TO LOCK

Touch **CONTROL LOCK** pad and hold for 3 seconds.

LOCK ON

TO UNLOCK

Touch **CONTROL LOCK** pad and hold for 3 seconds.

LOCK
OFF

CUSTOM HELP

Check operation manual for specific details.

Touch **SETUP/HELP** pad.

- 2 times for **SOUND OFF/ON**.
- 2 times for **END OF COOKING REMINDER**.
- 4 times for **AUTO START**.
- 5 times for **DEMONSTRATION MODE**.

PARTS / SERVICE

SERVICE DATA RECORD

The rating label contains the model number and serial number of the appliance. See page 11 for the location of the rating label.

Now is a good time to write this information below in the space provided. Keep your invoice for warranty validation.

Model Number _____

Serial Number _____

Date of Installation or Occupancy _____

EN

PARTS LIST

Please visit the Hestan website to access the parts list for your Hestan Indoor product: www.hestanhome.com.

SERVICE

All warranty and non-warranty repairs should be performed by qualified service personnel. To locate an authorized service agent in your area, contact your Hestan dealer, local representative, or the manufacturer. Before you call, please have the model number and serial number information ready.

Hestan Commercial Corporation
3375 E. La Palma Avenue
Anaheim, CA 92806
(888) 905-7463

LIMITED WARRANTY

WHAT THIS LIMITED WARRANTY COVERS

Hestan Commercial Corporation (“HCC”) warrants to the original consumer purchaser of a Hestan Indoor Cooking product (the “Product”) from an HCC authorized dealer that the Product is free from defective materials or workmanship for a period of two (2) years from the date of original retail purchase or closing date for new construction, whichever period is longer (“Limited Warranty Period”). HCC agrees to repair or replace, at HCC’s sole option, any part or component of the Product that fails due to defective materials or workmanship during the Limited Warranty Period. This Limited Warranty is not transferable and does not extend to anyone beyond the original consumer purchaser (“Purchaser”). This Limited Warranty is valid only on Products purchased and received from an HCC authorized dealer in the fifty United States, the District of Columbia and Canada. This Limited Warranty applies only to Products in non-commercial use and does not extend to Products used in commercial applications.

LIMITED WARRANTY (CONT.)

HOW TO OBTAIN WARRANTY SERVICE

If the Product fails during the Limited Warranty Period for reasons covered by this Limited Warranty, the Purchaser must immediately contact the dealer from whom the Product was purchased or HCC at 888.905.7463.

Purchaser is responsible for making the Product reasonably accessible for service or for paying the cost to make the Product reasonably accessible for service. Service is to be provided during normal business hours of the authorized Hestan Commercial Service Provider. To the extent Purchaser requests service outside of the normal business hours of the authorized Hestan Commercial Service Provider, Purchaser will pay the difference between regular rates and overtime or premium rates. Purchaser is required to pay all travel costs for travel beyond 50 miles (one way) from the nearest authorized Hestan Commercial Service Provider.

EXTENSIONS TO TWO YEAR LIMITED WARRANTY PERIOD:

IN ADDITION TO THE TWO-YEAR LIMITED WARRANTY, THE FOLLOWING COMPONENTS HAVE EXTENDED WARRANTY COVERAGE AS SPECIFICALLY SET FORTH BELOW:

- 1) The Product's gas burners (excludes appearance), electric heating elements, blower motors (ventilation hoods), electronic control boards, magnetron tubes and induction generators (where applicable) are warranted to be free from defects in material and workmanship under normal non-commercial use and service for a period of five (5) years of the original Purchaser. This excludes surface corrosion, scratches, and discoloration which may occur during normal use and is limited to replacement of the defective part(s), with the Purchaser paying all other costs, including labor, shipping and handling, as applicable.

WHAT THIS LIMITED WARRANTY DOES NOT COVER:

This Limited Warranty does not cover and HCC will not be responsible for and will not pay for: damage to or defects in any Product not purchased from an HCC authorized dealer; color variations in color finishes or other cosmetic damage; failure or damage from abuse, misuse, accident, fire, natural disaster, commercial use of the Product, or loss of electrical power or gas supply to the Product; damage from alteration, improper installation, or improper operation of the Product; damage from improper or unauthorized repair or replacement of any part or component of the Product; damage from service by someone other than an authorized agent or representative of the Hestan Commercial Service Network; normal wear and tear; damage from exposure of the Product to a corrosive atmosphere containing chlorine, fluorine, or any other damaging chemicals; damage resulting from the failure to provide normal care and maintenance to the Product; damage HCC was not notified of within the Limited Warranty Period; and incidental and consequential damages caused by any defective material or workmanship.

ARBITRATION:

This Limited Warranty is governed by the Federal Arbitration Act. Any dispute between Purchaser and HCC regarding or related to the Product or to this Limited Warranty shall be resolved by binding arbitration only on an individual basis with Purchaser. Arbitration will be conducted by the American Arbitration Association ("AAA") in accordance with its Consumer Arbitration Rules or by JAMS. The arbitration hearing shall be before one arbitrator appointed by the AAA or JAMS. The arbitrator shall not conduct class arbitration and Purchaser shall not bring any claims against HCC in a representative capacity on behalf of others.

LIMITATION OF LIABILITY:

This Limited Warranty is the final, complete and exclusive agreement between HCC and Purchaser regarding the Product.

LIMITED WARRANTY (CONT.)

EN

THERE ARE NO EXPRESS WARRANTIES OTHER THAN THOSE LISTED AND DESCRIBED ABOVE. NO WARRANTIES WHETHER EXPRESS OR IMPLIED, INCLUDING, BUT NOT LIMITED TO, ANY IMPLIED WARRANTIES OF MERCHANTABILITY OR FITNESS FOR A PARTICULAR PURPOSE SHALL APPLY AFTER THE LIMITED WARRANTY PERIOD STATED ABOVE. NO OTHER EXPRESS WARRANTY OR GUARANTY GIVEN BY ANY PERSON, FIRM OR CORPORATION WITH RESPECT TO THIS PRODUCT SHALL BE BINDING ON HCC. HCC ASSUMES NO RESPONSIBILITY THAT THE PRODUCT WILL BE FIT FOR ANY PARTICULAR PURPOSE, EXCEPT AS OTHERWISE PROVIDED BY APPLICABLE LAW.

HCC SHALL NOT BE LIABLE FOR LOSS OF REVENUE OR PROFITS, FAILURE TO REALIZE SAVINGS OR OTHER BENEFITS, OR ANY OTHER SPECIAL, INCIDENTAL OR CONSEQUENTIAL DAMAGES CAUSED BY THE USE, MISUSE OR INABILITY TO USE THE PRODUCT, REGARDLESS OF THE LEGAL THEORY ON WHICH THE CLAIM IS BASED, AND EVEN IF HCC HAS BEEN ADVISED OF THE POSSIBILITY OF SUCH DAMAGES. NO RECOVERY OF ANY KIND AGAINST HCC SHALL BE GREATER IN AMOUNT THAN THE PURCHASE PRICE OF THE PRODUCT.

WITHOUT LIMITING THE FOREGOING, YOU ASSUME ALL RISK AND LIABILITY FOR LOSS, DAMAGE OR INJURY TO YOU AND YOUR PROPERTY AND TO OTHERS AND THEIR PROPERTY ARISING OUT OF THE USE, MISUSE OR INABILITY TO USE THE PRODUCT NOT CAUSED DIRECTLY BY THE NEGLIGENCE OF HCC. THIS LIMITED WARRANTY STATES YOUR EXCLUSIVE REMEDY.

No oral or written representation or commitment given by anyone, including but not limited to, an employee, representative or agent of HCC will create a warranty or in any way increase the scope of this express Limited Two Year Warranty. If there is any inconsistency between this Limited Warranty and any other agreement or statement included with or relating to the Product, this Limited Warranty shall govern. If any provision of this Limited Warranty is found invalid or unenforceable, it shall be deemed modified to the minimum extent necessary to make it enforceable and the remainder of the Limited Warranty shall remain valid and enforceable according to its terms.

INTERACTION OF LAWS WITH THIS LIMITED WARRANTY:

Some states, provinces or territories may not allow limitations on how long an implied warranty lasts or the exclusion or limitation of incidental or consequential damages, so the above limitations or exclusions may not apply to you. Some states, provinces or territories may provide for additional warranty rights and remedies, and the provisions contained in this Limited Warranty are not intended to limit, modify, take away from, disclaim or exclude any mandatory warranty requirements provided by states, provinces or territories, including certain implied warranties. This warranty gives you specific legal rights, and you may also have other rights which vary depending on location.

Any questions about this Limited Warranty may be directed to
Hestan Commercial Corporation at (888) 905-7463

AVERTISSEMENT

LE NON-RESPECT À LA LETTRE DE CES INSTRUCTIONS PEUT CAUSER UN INCENDIE OU UNE EXPLOSION, QUI POURRAIT ENTRAÎNER DES DOMMAGES MATÉRIELS, DES BLESSURES OU LA MORT.

Ne pas entreposer ou utiliser d'essence ou tout autre liquide ou gaz inflammable à proximité de cet appareil ou de tout autre appareil.

L'installation et le service doivent être effectués par un installateur qualifié ou une agence de service.

NE PAS RÉPARER, REMPLACER OU ENLEVER TOUTE PIÈCE DE L'APPAREIL, SAUF SI SPÉCIFIQUEMENT RECOMMANDÉ DANS LES MANUEL. UNE INSTALLATION, UN ENTRETIEN OU UNE MAINTENANCE INCORRECTS PEUT ENTRAÎNER DES BLESSURES OU DES DOMMAGES MATÉRIELS. CONSULTEZ CE MANUEL DE L'ORIENTATION. TOUS LES AUTRES SERVICES DEVRAIENT ÊTRE EFFECTUÉS PAR UN TECHNICIEN DE SERVICE HESTAN AUTORISÉ.

DÉFINITIONS DE SÉCURITÉ

AVERTISSEMENT

CECI INDIQUE QUE L'INOBSERVATION DE CET AVERTISSEMENT PEUT ENTRAÎNER DES BLESSURES GRAVES VOIRE MORTELLES.

PRÉCAUTION

CECI INDIQUE QUE L'INOBSERVATION DE CET AVERTISSEMENT PEUT ENTRAÎNER DES BLESSURES MINEURES OU MODÉRÉES.

AVIS

CECI INDIQUE QUE L'INOBSERVATION DE CET AVERTISSEMENT PEUT ENTRAÎNER DES DOMMAGES DE L'APPAREIL OU DES DÉGÂTS MATÉRIELS.

INSTALLATEUR: LAISSER CE MANUEL AVEC LE PROPRIÉTAIRE DE L'APPAREIL.

PROPRIÉTAIRE: CONSERVEZ CE MANUEL POUR RÉFÉRENCE FUTURE.

Un message de Hestan

Les innovations culinaires primées de Hestan et les caractéristiques spéciales ont réinventé la cuisine du restaurant et redéfini l'expérience culinaire dans certains des restaurants les plus acclamés de l'Amérique. Hestan prend maintenant cette performance à l'arrière de la maison et la met au centre de la vôtre. Pensé et méticuleusement conçu, Hestan vous servira magnifiquement pour les années à venir.

Hestan est la seule marque résidentielle née des rêves et des exigences des chefs professionnels. De la cuisinière à la réfrigération, chaque détail est conçu pour offrir la performance et la fiabilité attendues dans un restaurant - maintenant disponible pour vous.

Nous apprécions que vous ayez choisi Hestan, et nous nous engageons à vous offrir le meilleur.

Bienvenue à Hestan



TABLES DES MATIERES

3	CONSIGNES DE SÉCURITÉ IMPORTANTES
5	PRÉCAUTIONS POUR ÉVITER UNE EXPOSITION POSSIBLE À UNE ÉNERGIE EXCESSIVE À MICRO-ONDES
6	RESPECT DE LA RÉGLEMENTATION ET DES CODES EN VIGUEUR
6	PLAQUE SIGNALÉTIQUE
6	NUMÉROS DE MODÈLE
7	INTRODUCTION
12	AVANT D'OPÉRER
13	CUISSON PAR TIROIR À MICRO-ONDES
20	AUTRES CARACTÉRISTIQUES
23	NETTOYAGE ET ENTRETIEN
24	DÉPANNAGE
25	GUIDE TACTILE DU TIROIR À MICRO-ONDES
27	PIÈCES / SERVICE
27	GARANTIE LIMITÉE

FR

CONSIGNES DE SÉCURITÉ IMPORTANTES

Bien entretenu, votre Tiroir à Micro-ondes Hestan fournira un service fiable et sûr pendant de nombreuses années. Lorsque vous utilisez cet appareil, vous devez respecter les règles de sécurité élémentaires décrites dans les pages suivantes.

INSTALLATION ET SERVICE

L'installation et l'entretien doivent être effectués par un installateur qualifié ou une agence.

Voir le Manuel d'Installation du Tiroir à Micro-ondes pour les instructions.

GARDEZ LES MANUELS

INSTALLATEUR: Veuillez laisser ce manuel et les Manuel d'Installation au propriétaire.

PROPRIÉTAIRE: Veuillez lire ces instructions et les conserver pour référence future

AVERTISSEMENT

DANGER D'ÉLECTROCUTION

Il est de la responsabilité de l'utilisateur de faire brancher l'appareil par un électricien agréé, conformément à tous les codes et normes en vigueur, y compris en ce qui concerne la construction en cas d'incendie. Cet appareil doit être mis à la terre. Voir le Manuel d'Installation du Tiroir à Micro-ondes pour plus de détails.

ALIMENTATION ÉLECTRIQUE ET MISE À LA TERRE

- Cet appareil doit être mis à la terre. Voir le Manuel d'Installation du Tiroir à Micro-ondes pour plus de détails.
- Cet appareil doit être connecté à 120 VAC monophasé, 60 Hz, avec une intensité nominale telle que présentée dans la liste des numéros de modèle en page 6.

PROPRIÉTAIRE: Demandez à l'installateur de vous montrer où se trouve le disjoncteur électrique afin de savoir comment couper l'alimentation de cet appareil.



CONSIGNES DE SÉCURITÉ IMPORTANTES (SUITE)

SÉCURITÉ GÉNÉRALE

Lors de l'utilisation de l'appareil, des précautions de sécurité élémentaires doivent être suivies, notamment:



AVERTISSEMENT Pour réduire les risques de brûlures, de choc électrique, d'incendie, de blessures corporelles ou d'exposition excessive aux micro-ondes:

1. Lisez toutes les instructions avant d'utiliser l'appareil.
2. Lisez et observez les «Précautions particulières à prendre pour éviter toute exposition éventuelle à une énergie de micro-ondes excessive» à la page 5.
3. Cet appareil doit être correctement mis à la terre. Voir page 7 pour les instructions de mise à la terre.
4. Installez ou localisez cet appareil uniquement conformément au Manuel d'Installation fourni.
5. Certains produits, tels que les œufs entiers et les contenants scellés - par exemple des bocaux en verre fermés - peuvent exploser et ne doivent pas être chauffés dans un four à micro-ondes.
6. Utilisez cet appareil uniquement pour l'usage auquel il est destiné, tel que décrit dans ce manuel. N'utilisez pas de produits chimiques corrosifs ni de vapeurs dans cet appareil. Cet appareil est spécialement conçu pour chauffer, cuire ou sécher des aliments. Il n'est pas conçu pour une utilisation industrielle ou de laboratoire.
7. Comme avec tout appareil, une surveillance étroite est nécessaire lorsque les enfants l'utilisent.
8. N'utilisez pas cet appareil si son cordon ou sa fiche est endommagé, s'il ne fonctionne pas correctement, s'il a été endommagé ou s'il est tombé.
9. Cet appareil ne doit être réparé que par du personnel qualifié. Contactez le réparateur agréé Hestan le plus proche pour un examen, une réparation ou un réglage.
10. Ne couvrez ni ne bloquez aucune des ouvertures de l'appareil.
11. Ne rangez pas et n'utilisez pas cet appareil à l'extérieur. N'utilisez pas ce produit près de l'eau, par exemple près d'un évier de cuisine, dans un sous-sol humide, près d'une piscine ou à un endroit similaire.
12. Ne pas immerger le cordon ou la fiche dans l'eau.
13. Gardez le cordon à l'écart des surfaces chaudes.
14. Ne montez pas et ne vous asseyez pas sur l'appareil.
15. Assurez-vous que vos doigts, objets ou matériaux ne se trouvent pas autour de l'ouverture de l'appareil lorsque celui-ci est fermé.
16. Ne mettez pas vos doigts ou des vêtements autour des guides du tiroir lorsque l'appareil est ouvert ou fermé. Ils pourraient être coincés dans les guides lorsque l'appareil est fermé.
17. Assurez-vous que les aliments et le récipient sont plus courts que le tiroir avant de le fermer. Vous pouvez vous référer à la hauteur des parois latérales du tiroir.
18. Lors du nettoyage des surfaces d'étanchéité de l'appareil qui se rejoignent lors de la fermeture du tiroir, utilisez uniquement des savons ou détergents doux non abrasifs appliqués avec une éponge ou un chiffon doux. Voir «NETTOYAGE ET ENTRETIEN» à la page 23.
19. Pour réduire les risques d'incendie dans la cavité de l'appareil:
 - a) Ne pas trop cuire les aliments. Surveillez attentivement l'appareil lorsque du papier, du plastique ou tout autre matériau combustible est placé à l'intérieur de l'appareil pour faciliter la cuisson.
 - b) Retirez les attaches métalliques des sacs en papier ou en plastique avant de placer le sac dans l'appareil.
 - c) Si des matériaux à l'intérieur de l'appareil s'enflamment, laissez la porte de l'appareil fermée, éteignez le four micro-ondes et coupez le courant au niveau du panneau de fusible ou du disjoncteur.

CONSIGNES DE SÉCURITÉ IMPORTANTES (SUITE)

- d) N'utilisez pas l'appareil à des fins de stockage. Ne laissez pas de produits en papier, d'ustensiles de cuisine ou d'aliments dans l'appareil lorsqu'il n'est pas utilisé.
20. Les liquides, tels que l'eau, le café ou le thé, peuvent être surchauffés au-delà du point d'ébullition sans sembler bouillir en raison de la tension superficielle du liquide. Des bulles visibles ou en ébullition lorsque le récipient est retiré de l'appareil ne sont pas toujours présentes. CELA POURRAIT PROVOQUER DES LIQUIDES TRÈS CHAUDS ÉBULLIANTS SOUDAIN LORSQUE UNE CUILLÈRE OU UN AUTRE USTENSIL EST INSÉRÉ DANS LE LIQUIDE.

FR

POUR RÉDUIRE LE RISQUE DE BLESSURES AUX PERSONNES:

- a) Ne surchauffez pas le liquide.
- b) Mélangez le liquide avant et à mi-cuisson.
- c) Ne pas utiliser de contenants droits avec un goulot étroit. Utilisez un récipient à large ouverture.
- d) Après le chauffage, laissez le récipient dans l'appareil au moins 20 secondes avant de le retirer.
- e) Faites très attention lorsque vous insérez une cuillère ou un autre ustensile dans le récipient.
21. Si la lampe de l'appareil tombe en panne, consultez un service après-vente agréé Hestan.

LIRE ET CONSERVER CES INSTRUCTIONS

PRÉCAUTIONS POUR ÉVITER UNE EXPOSITION POSSIBLE À UNE ÉNERGIE EXCESSIVE À MICRO-ONDES

- a) N'essayez pas de faire fonctionner ce four avec la porte ouverte car son fonctionnement peut entraîner une exposition dangereuse à l'énergie micro-ondes. Il est important de ne pas vaincre ou altérer les verrouillages de sécurité.
- b) Ne placez aucun objet entre la façade du four et la porte et ne laissez pas de résidus de saleté ou de nettoyant s'accumuler sur les surfaces d'étanchéité.
- c) N'utilisez pas le four s'il est endommagé. Il est particulièrement important que la porte du four se ferme correctement et que rien ne soit endommagé: (1) porte (pliée), (2) charnières et loquets (brisés ou desserrés), (3) joints de la porte et surfaces d'étanchéité.
- d) Le four ne doit pas être réglé ou réparé par quiconque, à l'exception d'un personnel de maintenance qualifié.

AVERTISSEMENTS DE LA PROPOSITION 65 DE L'ÉTAT DE CALIFORNIE:



AVERTISSEMENT Ce produit peut vous exposer à des produits chimiques, notamment du monoxyde de carbone, reconnu par l'État de Californie pour causer des malformations congénitales ou d'autres problèmes de reproduction. Pour plus d'informations, visitez www.P65Warnings.ca.gov.

RESPECT DE LA RÉGLEMENTATION ET DES CODES EN VIGUEUR

L'installation de cet appareil doit être effectuée conformément aux codes locaux. En l'absence de codes locaux, cet appareil doit être installé conformément au code national de l'électricité et aux codes locaux.

Cet appareil doit être mis à la terre conformément aux codes locaux ou en l'absence de codes locaux avec le code électrique national ANSI / NFPA 70 ou le code électrique canadien CSA C22.1.

INTERFÉRENCE RADIO OU TV

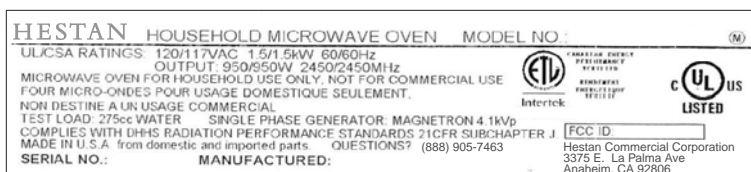
Si le Tiroir à Micro-ondes interfère avec votre radio ou votre télévision, vérifiez qu'il est sur un circuit électrique différent, déplacez la radio ou le téléviseur aussi loin que possible du tiroir ou vérifiez la position et le signal de l'antenne de réception.

PLAQUE SIGNALÉTIQUE

La plaque signalétique contient des informations importantes sur votre appareil Hestan, telles que le modèle et le numéro de série.

La plaque signalétique est située sur le panneau inférieur de l'appareil, derrière le bord arrière du tiroir ouvert. Voir "IDENTIFICATION DES PIÈCES DE TIROIR À MICRO-ONDES" à la page 11

Si une réparation est nécessaire, contactez le service clientèle de Hestan en indiquant les informations de modèle et de numéro de série indiquées sur l'étiquette.



PLAQUE SIGNALÉTIQUE TYPIQUE

NUMÉROS DE MODÈLE

NO. MODÈLE	DESCRIPTION	DISJONCTEUR REQUIS
KMWR30	Tiroir à Micro-ondes de 30 po	15 ampères

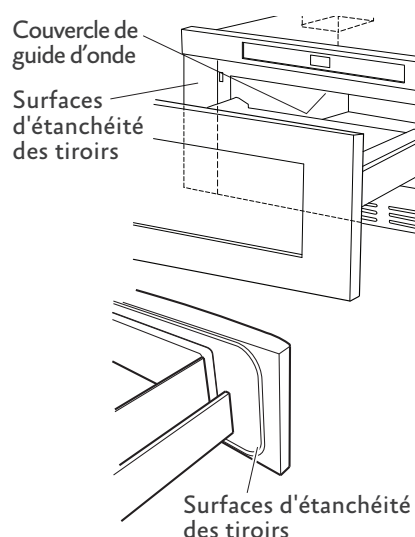
Toutes les unités 115 VAC 60 Hz.

INTRODUCTION

DÉBALLER LE TIROIR À MICRO-ONDES

1. Retirez tous les matériaux d'emballage de l'intérieur du micro-ondes du tiroir. **NE RETIREZ PAS LE COUVERTURE DE GUIDE D'ONDES**, situé dans le plafond de la cavité de cuisson.
2. Supprimez l'étiquette de description des fonctions, s'il en existe une. (Pas l'étiquette de menu.) Vérifiez que le tiroir n'est pas endommagé, tel qu'un tiroir mal aligné ou plié, des joints d'étanchéité et des surfaces d'étanchéité endommagés, des guides de tiroir cassés ou desserrés et des bosses dans la cavité ou sur le côté avant du tiroir. En cas de dommage, n'utilisez pas le Tiroir à Micro-ondes et contactez votre revendeur ou Hestan.

Consultez le Manuel d'Installation du Tiroir à Micro-ondes pour connaître les exigences et Manuel d'Installation.



FR

INSTRUCTIONS DE MISE À LA TERRE

Cet appareil doit être mis à la terre. Le Tiroir à Micro-ondes est équipé d'un cordon avec un fil de terre et une fiche de terre. Il doit être branché sur une prise murale correctement installée et mise à la terre conformément au code national de l'électricité et aux codes et ordonnances locaux. En cas de court-circuit électrique, la mise à la terre réduit le risque de choc électrique en fournissant un fil de fuite pour le courant électrique.

AVERTISSEMENT Une utilisation incorrecte de la prise de terre peut entraîner un risque de choc électrique. Ne pas utiliser un rallonge électrique. Si le cordon d'alimentation est trop court, demandez à un électricien qualifié ou à un réparateur d'installer une prise près de l'appareil.

Si vous avez des questions sur la mise à la terre ou les instructions électriques, consultez un électricien qualifié ou un réparateur.

À PROPOS DE VOTRE TIROIR À MICRO-ONDES

TOUJOURS avoir de la nourriture dans le Tiroir à Micro-ondes lorsqu'il est allumé pour absorber l'énergie du micro-ondes.

La ventilation sous le Tiroir à Micro-ondes ne doit pas être bloquée. Pendant la cuisson au micro-ondes, de la vapeur peut provenir de l'évent inférieur gauche (lorsque vous faites face au produit).

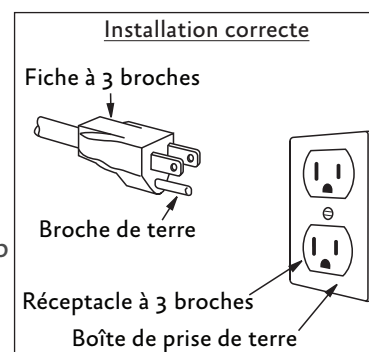
Lorsque vous utilisez le Tiroir à Micro-ondes à des niveaux de puissance inférieurs à 100%, vous pouvez entendre le magnétron se mettre en et hors circuit. Il est normal que l'extérieur du Tiroir à Micro-ondes soit chaud au toucher lors de la cuisson ou du réchauffage.

La condensation fait normalement partie de la cuisson au micro-ondes et la quantité évacuée est directement liée à la teneur en humidité de la nourriture et à l'humidité de la pièce. Une pièce plus froide produira plus de condensation. Une attention particulière doit être portée à la zone ventilée après chaque utilisation du produit et essuyée si nécessaire.

Le Tiroir à Micro-ondes sert uniquement à la préparation des aliments. Il ne doit pas être utilisé pour sécher des vêtements ou des journaux.

Lorsque vous utilisez des recettes ou des instructions sur les emballages, vérifiez les aliments une minute ou deux avant le temps minimum et ajoutez du temps en conséquence.

Lorsque vous ouvrez ou fermez rapidement le Tiroir à Micro-ondes, des aliments pourraient être renversés. Pour le nettoyage, veuillez vous reporter à la section « NETTOYAGE ET ENTRETIEN » à la page 23.



À PROPOS DE LA CUISSON AU MICRO-ONDES

- Disposez les aliments avec soin. Placez les zones les plus épaisses vers l'extérieur du plat.
- Regarder le temps de cuisson. Cuire pendant le temps le plus court indiqué et en rajouter au besoin. Les aliments trop cuits peuvent fumer ou s'enflammer.
- Couvrir les aliments pendant la cuisson. Vérifiez la recette ou le livre de cuisine pour connaître les suggestions: essuie-tout, papier ciré, film plastique pour micro-ondes ou couvercle. Les couvercles empêchent les éclaboussures et aident les aliments à cuire uniformément.
- Protégez avec de petits morceaux plats de papier d'aluminium les zones minces de viande ou de volaille afin d'éviter une cuisson excessive avant que les zones denses et épaisses ne soient complètement cuites.
- Remuez les aliments de l'extérieur vers le centre du plat une ou deux fois pendant la cuisson, si possible.
- Retournez les aliments une fois pendant la cuisson aux micro-ondes pour accélérer la cuisson d'aliments tels que le poulet et les hamburgers. Les gros articles comme les rôtis doivent être retournés au moins une fois.
- Réorganisez les aliments tels que les boulettes de viande à mi-cuisson, de haut en bas et de droite à gauche.
- Ajouter du temps de repos. Retirer les aliments du Tiroir à Micro-ondes et remuer, si possible. Couvrir pour le temps de repos qui permet aux aliments de terminer la cuisson sans trop cuire.
- Vérifiez la cuisson. Rechercher des signes indiquant que les températures de cuisson ont été atteintes.

LES SIGNES DE CUISSON COMPRENNENT:

- Les aliments cuisent à la vapeur, pas seulement à l'arrière.
- Le centre du plat est très chaud au toucher.
- Les articulations des cuisses de volaille se déplacent facilement.
- La viande et la volaille ne sont pas rosées.
- Le poisson est opaque et se défait facilement à la fourchette.

À PROPOS DES USTENSILES ET DES REVÊTEMENTS

Il n'est pas nécessaire d'acheter tous les nouveaux ustensiles de cuisine. De nombreuses pièces déjà dans votre cuisine peuvent être utilisées avec succès dans votre nouveau Tiroir à Micro-ondes. Assurez-vous que l'ustensile ne touche pas les murs intérieurs pendant la cuisson.

Utilisez ces ustensiles pour cuisiner et réchauffer au micro-ondes en toute sécurité:

- Vitrocéramique (Pyroceram®), tel que Corningware®.
- Verre résistant à la chaleur (Pyrex®)
- Plastiques résistants aux micro-ondes
- Assiettes en papier allant au micro-ondes
- Poterie, grès et porcelaine allant au micro-ondes
- Plat à brunir (ne pas dépasser la durée de préchauffage recommandée. Suivre les instructions du fabricant.)

Ces articles peuvent être utilisés pour réchauffer à court terme des aliments contenant peu de graisse ou de sucre:

- Bois, paille, osier.

NE PAS UTILISER

- Casseroles et plats de cuisson en métal
- Plats avec garniture métallique
- Verre non résistant à la chaleur
- Plastiques non compatibles avec les micro-ondes (pots à margarine)
- Produits en papier recyclé
- Sacs en papier brun
- Sacs de stockage de nourriture
- Attaches métalliques

Si vous souhaitez vérifier si un plat est sans danger pour la cuisson au micro-ondes, placez le plat vide au four et passez au micro-ondes à HAUTE intensité pendant 30 secondes. Un plat qui devient très chaud ne doit pas être utilisé.

Les revêtements suivants sont idéaux:

- Les essuie-tout sont parfaits pour recouvrir les aliments, les réchauffer et absorber les graisses pendant la cuisson du bacon.
- Le papier ciré peut être utilisé pour la cuisson et le réchauffage.
- Une pellicule de plastique spécialement conçue pour le micro-ondes peut être utilisée pour la cuisson et le réchauffage. NE PAS laisser une pellicule de plastique toucher les aliments. Évitez pour que la vapeur puisse s'échapper.
- Les couvercles qui vont au micro-ondes sont un bon choix car la chaleur est maintenue près des aliments pour accélérer la cuisson.
- Les sacs de cuisson au four conviennent aux viandes de grande taille ou aux aliments qui ont besoin d'attendrissement. NE PAS utiliser de liens métalliques. N'oubliez pas de couper le sac pour que la vapeur puisse s'échapper.

COMMENT UTILISER UNE FEUILLE D'ALUMINIUM DANS VOTRE TIROIR À MICRO-ONDES:

- De petits morceaux plats de papier d'aluminium placés en douceur sur les aliments peuvent être utilisés pour protéger les zones en cours de décongélation ou de cuisson trop rapide.
- Le papier d'aluminium ne doit pas dépasser d'un pouce de la surface du Tiroir à Micro-ondes.

Si vous avez des questions sur les ustensiles ou les revêtements, consultez un bon livre de recettes au micro-ondes ou suivez les suggestions de recettes.

ACCESSOIRES

Il existe de nombreux accessoires pour micro-ondes disponibles à l'achat. Évaluez attentivement avant d'acheter afin qu'ils répondent à vos besoins. Un thermomètre allant au micro-ondes vous aidera à déterminer le degré de cuisson approprié et vous assurera que les aliments ont été cuits à des températures sûres. Hestan n'est pas responsable des dommages éventuels causés au Tiroir à Micro-ondes lors de l'utilisation d'accessoires.

LES ENFANTS ET LE MICRO-ONDES

Les enfants de moins de 7 ans doivent utiliser le Tiroir à Micro-ondes en compagnie d'un superviseur très proche d'eux. Entre 7 et 12 ans, la personne responsable devrait être dans la même pièce. L'enfant doit pouvoir atteindre facilement le Tiroir à Micro-ondes.

À aucun moment, personne ne devrait être autorisé à se pencher ou à se pencher sur le Tiroir à Micro-ondes.

INTRODUCTION (SUITE)

Toutes les précautions de sécurité doivent être enseignées aux enfants: utilisez des gants isolants, retirez soigneusement les revêtements, faites particulièrement attention aux emballages qui contiennent des aliments craquants car ils peuvent être extrêmement chauds.

Ne présumez pas que, dans la mesure où un enfant maîtrise une technique de cuisson, il / elle peut tout cuisiner.

Les enfants doivent apprendre que le Tiroir à Micro-ondes n'est pas un jouet. Voir à la page 21 pour la fonction Control Lock.

LA SÉCURITÉ ALIMENTAIRE

Vérifiez les aliments pour vous assurer qu'ils sont cuits aux températures recommandées par le Ministère de l'Agriculture des États-Unis.

145° F [62,8°C]	Poisson.
160° F [71,1°C]	Porc, bœuf / veau / agneau hachés, plats à base d'œufs
165° F [73,9°C]	Pour les restes, prêts à réchauffer, réfrigérés, et charcuterie et nourriture à emporter Entier, morceaux et dinde / poulet / canard hachés.

Pour tester le degré de cuisson, insérez un thermomètre à viande dans une zone épaisse ou dense éloignée de la graisse ou des os. Ne laissez JAMAIS le thermomètre dans les aliments pendant la cuisson, sauf s'il est approuvé pour une utilisation au micro-ondes.

- TOUJOURS utiliser des gants isolants pour éviter les brûlures lors de la manipulation des ustensiles en contact avec des aliments chauds. Une quantité suffisante de chaleur des aliments peut être transférée à travers les ustensiles pour causer des brûlures à la peau.
- Évitez les brûlures de vapeur en éloignant le visage et les mains de la vapeur. Soulevez lentement le bord le plus éloigné du couvercle d'un plat et ouvrez avec précaution les sacs de maïs soufflé et de cuisson au four.
- Restez à proximité du Tiroir à Micro-ondes pendant son utilisation et vérifiez fréquemment les progrès de la cuisson afin d'éviter toute possibilité de trop cuire les aliments.
- N'utilisez JAMAIS le Tiroir à Micro-ondes pour stocker des livres de cuisine ou d'autres articles.
- Sélectionnez, stockez et manipulez les aliments avec soin afin de préserver leur qualité et de minimiser la propagation des bactéries d'origine alimentaire.
- Gardez la couverture du guide d'onde propre. Les résidus d'aliments peuvent provoquer des arcs électriques et / ou des incendies. Voir page 23.

À PROPOS DES ALIMENTS

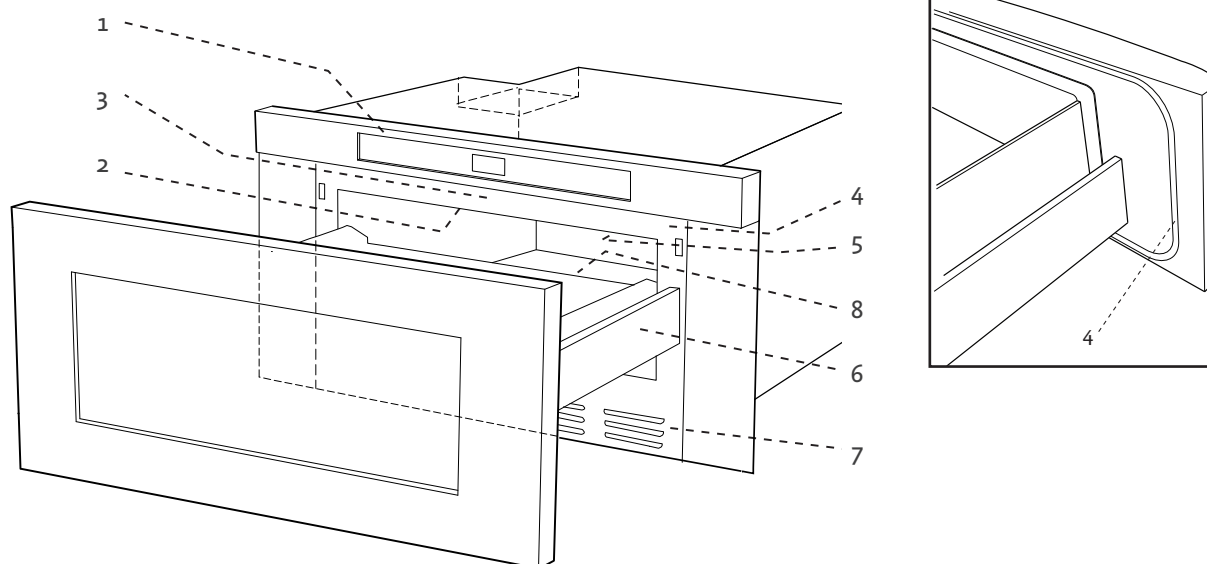
ALIMENTS	FAIRE	NE FAIS PAS
Œufs, saucisses, fruits et légumes	<ul style="list-style-type: none">• Percez les jaunes d'œufs avant la cuisson pour éviter les «explosions».• Percez des peaux de pommes de terre, de pommes, de courges, de hot dogs et de saucisses pour que la vapeur s'échappe.	<ul style="list-style-type: none">• Cuire les œufs dans les coquilles.• Réchauffer des œufs entiers.• Noix sèches ou des graines dans des coquilles.
Popcorn	<ul style="list-style-type: none">• Utilisez du maïs soufflé spécialement ensaché pour le micro-ondes.• Écoutez tout en faisant sauter le maïs pour qu'il ralentisse à 1 ou 2 secondes ou utilisez le pavé tactile SENSOR POPCORN spécial.	<ul style="list-style-type: none">• Popcorn pop dans des sacs bruns ou des bols en verre.• Dépassez le temps maximum avec le paquet de Popcorn.

INTRODUCTION (SUITE)

ALIMENTS	FAIRE	NE FAIS PAS
Nourriture pour bébés	<ul style="list-style-type: none"> • Transférer la nourriture pour bébé dans un petit plat et chauffer doucement en remuant souvent. Vérifiez la température avant de servir. • Mettez les mamelons sur les biberons après le chauffage et agitez bien. Test «poignet» avant de nourrir. 	<ul style="list-style-type: none"> • Chauffer des bouteilles jetables. • Réchauffer les bouteilles avec les mamelons. • Faites chauffer les aliments pour bébé dans des pots originaux.
Général	<ul style="list-style-type: none"> • Couper les aliments cuits avec le remplissage après chauffage pour libérer de la vapeur et éviter les brûlures. • Mélangez bien les liquides avant et après le chauffage pour éviter les «éruptions». • Utilisez un bol profond lors de la cuisson de liquides ou de céréales pour éviter les débordements. • Les aliments doivent être plus courts que le tiroir à Micro-ondes. Veuillez vous reporter à la hauteur des parois latérales du tiroir. 	<ul style="list-style-type: none"> • Chauffer ou cuire dans des bocaux en verre fermés ou des récipients hermétiques. • Peut être au micro-ondes, car les bactéries nocives ne peuvent pas être détruites. • Friture • Bois sec, gourdes, herbes ou papiers mouillés.

FR

IDENTIFICATION DE PIÈCES DE TIROIR À MICRO-ONDES

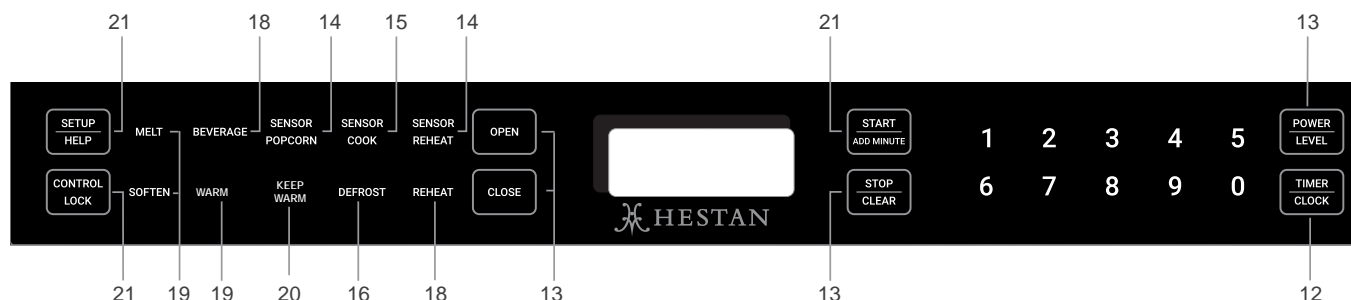


1. Panneau de contrôle
2. Couvercle de guide d'onde. NE PAS ENLEVER.
3. Étiquette de menu du Tiroir à Micro-ondes
4. Surfaces d'étanchéité des tiroirs
5. Lumière
6. Guides de tiroir
7. Évén
8. Plaque signalétique: ouvrez complètement le Tiroir à Micro-ondes. L'étiquette est sur le sol de l'enceinte, juste derrière le tiroir ouvert.

INTRODUCTION (SUITE)

LES CONTRÔLES

L'illustration suivante décrit le panneau de commandes et indique les numéros de page pour trouver des informations sur chaque élément.



Les numéros en regard de l'illustration indiquent les pages contenant des descriptions de fonction et des informations d'utilisation.

AVANT D'OPÉRER

Avant d'utiliser votre nouveau Tiroir à Micro-ondes, assurez-vous de bien lire et comprendre ce manuel.

- Avant d'utiliser le Tiroir à Micro-ondes, procédez comme suit:

- Branchez le Tiroir à Micro-ondes. apparaîtra.
- Touchez le pavé **STOP/CLEAR**. apparaîtra.
- Réglez l'horloge comme suit:

POUR RÉGLER L'HORLOGE

- Touchez la minuterie / horloge et le numéro .
- Appuyez sur les touches numériques pour indiquer l'heure exacte et appuyez à nouveau sur la touche Minuteur / Horloge.

C'est une horloge de 12 heures. Si vous essayez d'entrer une heure d'horloge incorrecte, apparaîtra à l'écran. Appuyez sur la touche Stop / Suppr. Et entrez de nouveau l'heure.

- Si l'alimentation électrique de votre Tiroir à Micro-ondes doit être interrompue, l'afficheur indiquera par intermittence après le rétablissement du courant. Si cela se produit pendant la cuisson, le programme sera effacé. L'heure du jour sera également effacée. Il suffit de toucher **STOP/CLEAR** et d'ajuster l'horloge pour régler l'heure de la journée.

REMARQUE:

- Le Tiroir à Micro-ondes peut être programmé avec le tiroir ouvert, à l'exception de **START/ADD MINUTE**.

MINUTEUR

- Appuyez sur la touche **TIMER/CLOCK** puis sur le chiffre .
- Entrez l'heure.
- Appuyez à nouveau sur **TIMER/CLOCK**.

Pour annuler le minuteur, touchez **STOP/CLEAR**.

STOP/CLEAR

Appuyez sur la touche **STOP/CLEAR** pour:

1. Effacer si vous faites une erreur lors de la programmation.
2. Annuler le minuteur.
3. Arrêtez temporairement le Tiroir à Micro-ondes pendant la cuisson minutée.
4. Ramène l'heure à l'affichage.
5. Annuler un programme pendant la cuisson, appuyez deux fois sur pour une cuisson minutée.

OUVRIER OU FERMER LE TIROIR À MICRO-ONDES

Pour ouvrir ou fermer le Tiroir à Micro-ondes, appuyez sur la touche **OPEN** ou **CLOSE** du panneau de commande pour ouvrir ou fermer le Tiroir à Micro-ondes. Si le Tiroir à Micro-ondes est arrêté au milieu, ouvrez-le ou fermez-le manuellement en position d'ouverture ou de fermeture complète en tirant ou en poussant doucement avec une pression uniforme au centre de la tiroir.

CUISSON PAR TIROIR À MICRO-ONDES

TEMPS DE CUISSON

Votre Tiroir à Micro-ondes peut être programmé pour 99 minutes, 99 secondes (99.99). Entrez toujours les secondes après les minutes, même s'il s'agit de zéros.

- Supposons que vous souhaitiez cuire 5 minutes à 100%.

1. Entrez le temps de cuisson 5 0 0. 5.00

TOUCH	START	OR	TOUCH	POWER
LEVEL	s'affiche.			

2. Pour cuire à puissance 100% (élevée), appuyez sur la touche **START/ADD MINUTE**.

- Supposons que vous souhaitiez décongeler pendant 5 minutes à 30%.

1. Entrer le temps de dégivrage 5 0 0. 5.00
2. Appuyez 8 fois sur la touche **POWER LEVEL**.
3. Appuyez sur **START/ADD MINUTE**.

Appuyez plusieurs fois sur le niveau de puissance pour obtenir la puissance désirée	Pourcentage approximatif de puissance	Mots communs pour les niveaux de puissance
POWER LEVEL x 1	100%	Haute
POWER LEVEL x 2	90%	
POWER LEVEL x 3	80%	
POWER LEVEL x 4	70%	Moyenne élevée
POWER LEVEL x 5	60%	
POWER LEVEL x 6	50%	Moyenne
POWER LEVEL x 7	40%	
POWER LEVEL x 8	30%	Med faible / dégivrage
POWER LEVEL x 9	20%	
POWER LEVEL x 10	10%	Batterie faible
POWER LEVEL x 11	0%	

POUR DÉFINIR LE NIVEAU DE PUISSANCE

Il y a onze niveaux de puissance prédéfinis.

L'utilisation de niveaux de puissance inférieurs augmente le temps de cuisson, ce qui est recommandé pour des aliments tels que le fromage, le lait et la cuisson longue et lente des viandes. Consultez un livre de recettes à micro-ondes ou des recettes pour des recommandations spécifiques.

CUISSON PAR TIROIR À MICRO-ONDES (SUITE)

PARAMÈTRES DU CAPTEUR

Le capteur d'Hestan est un dispositif semi-conducteur qui détecte la vapeur/humidité émise par les aliments pendant leur chauffage. Le capteur ajuste les temps de cuisson et les niveaux de puissance pour différents aliments et quantités.

UTILISATION DES PARAMÈTRES DU CAPTEUR

Une fois le Tiroir à Micro-ondes branché, attendez 2 minutes avant d'utiliser un paramètre de capteur.

- Assurez-vous que l'extérieur du récipient de cuisson et l'intérieur du Tiroir à Micro-ondes sont secs. Essuyez toute trace d'humidité avec un chiffon sec ou une serviette en papier.
- Le capteur fonctionne avec des aliments à la température de stockage normale. Par exemple, le Popcorn serait à la température ambiante.
- Toute sélection de capteur peut être programmée avec un réglage de PLUS OU MOINS DE TEMPS. Voir à la page 21.
- Il faut cuire plus ou moins d'aliments que la quantité indiquée dans les tableaux en suivant les indications de tout livre de cuisine à micro-ondes.
- Pendant la première partie de l'utilisation du capteur, le nom de l'aliment apparaît à l'écran. N'ouvrez pas le Tiroir à Micro-ondes et ne touchez pas **STOP/CLEAR** pendant cette partie du cycle. La mesure de vapeur sera interrompue. Si cela se produit, un message d'erreur apparaîtra. Pour continuer la cuisson, appuyez sur la touche **STOP/CLEAR** et cuisez manuellement.
- Lorsque le capteur détecte la vapeur émise par les aliments, le temps restant de cuisson / réchauffage apparaît. Le Tiroir à Micro-ondes peut être ouvert lorsque le temps restant apparaît à l'écran. À ce moment-là, vous pouvez remuer ou assaisonner les aliments, comme vous le souhaitez.
- À l'exception de Popcorn, si le capteur ne détecte pas correctement les vapeurs lors de la cuisson d'autres aliments, s'affiche **ERROR** et le micro-ondes s'éteint.
- Vérifiez la température des aliments après la cuisson. Si vous avez besoin de plus de temps, continuez la cuisson manuellement.
- Chaque aliment a un indice de cuisson. Appuyez sur la touche d'aide personnalisée lorsque le témoin **SETUP/HELP** est allumé à l'écran.

COUVRANT LES ALIMENTS:

Certains aliments fonctionnent mieux lorsqu'ils sont couverts. Utilisez la couverture recommandée dans les tableaux pour ces aliments. Vous pouvez vous référer aux astuces en touchant **SETUP/HELP**. Voir page 21.

- Couvercle de la casserole.
- Emballage plastique: Utilisez un emballage plastique recommandé pour la cuisson au micro-ondes. Couvrir le plat sans serrer; laisser environ 1/2 pouce [1,25 cm] à découvert pour permettre à la vapeur de s'échapper. Les pellicules de plastique ne doivent pas toucher les aliments.
- Papier ciré: Couvrez complètement le plat; Plier l'enveloppe en excès sous le plat pour la sécuriser. Si le plat est plus large que le papier, superposez deux morceaux d'au moins un pouce à couvrir.

Faites attention lorsque vous retirez tout revêtement pour permettre à la vapeur de s'échapper de vous.

SENSOR REHEAT / SENSOR POPCORN (RÉCHAUFFAGE PAR CAPTEUR / CAPTEUR DE POPCORN)

Vous pouvez faire éclater du maïs soufflé et réchauffer de nombreux aliments sans avoir à calculer le temps de cuisson ou le niveau de puissance.

Appuyez sur **SENSOR REHEAT** ou **SENSOR POPCORN** et **START/ADD MINUTE**.

Le paramètre Popcorn Sensor a 2 choix. Suivez les instructions à l'écran pour choisir l'option désirée.

Lorsque le capteur détecte la vapeur émise par les aliments, le temps restant de cuisson / réchauffage apparaît.

CUISSON PAR TIROIR À MICRO-ONDES (SUITE)

TABLEAU CAPTEUR DE POPCORN / RÉCHAUFFAGE PAR CAPTEUR

ALIMENTS	MONTANT	PROCÉDURE
Capteur de Popcorn	1 seul forfait à la fois	Utilisez uniquement du maïs soufflé emballé pour le micro-ondes. Essayez plusieurs marques pour décider laquelle vous aimez. N'essayez pas de faire apparaître des noyaux non sautés.
	2,85 à 3,5 oz [81-99 g] (Régulier / Régulier léger)	Appuyez une fois sur la touche SENSOR POPCORN
	1,2 - 1,75 onces [34-50 g] (Mini / Snack)	Appuyez deux fois sur la touche SENSOR POPCORN
Capteur Par Réchauffer	4 - 36 onces [113-1021 g]	Placez dans un plat ou une casserole légèrement plus grand que la quantité à réchauffer. Aplatir, si possible. Couvrir avec un couvercle, une pellicule de plastique ou du papier ciré. Utilisez des couvertures telles que des pellicules de plastique ou des couvercles contenant de plus grandes quantités d'aliments plus denses, tels que les ragoûts. Après avoir réchauffé, bien mélanger, si possible. Recouvrez et laissez reposer 2 à 3 minutes. Les aliments devraient être très chauds. Sinon, continuez à chauffer avec une puissance et une durée variables.

FR

SENSOR COOK (CUISSON PAR CAPTEUR)

- Appuyez une fois sur la touche **SENSOR COOK**.
- Voir l'étiquette du menu. Sélectionnez la nourriture désirée en touchant le pavé numérique. Ex: Appuyez sur 5 pour les pommes de terre au four.
- Appuyez sur **START/ADD MINUTE**.

NOTE: Pour réchauffer ou cuire d'autres aliments ou des aliments supérieurs ou inférieurs à la quantité autorisée sur le tableau de cuisson du capteur, cuire manuellement.

TABLEAU DE CUISSON PAR CAPTEUR

	ALIMENTS	MONTANT	PROCÉDURE
1.	Légumes frais rapides: Brocoli Choux de Bruxelles Choux Chou-fleur (en bouquet) Chou-fleur (entier) Épinards Courgettes Pommes au four	.25 - 2.0 livres .25 - 2.0 livres .25 - 2.0 livres .25 - 2.0 livres 1 moyen .25 - 1.0 livres .25 - 2.0 livres 2 - 4 moyen	Laver et placer dans une cocotte. N'ajoutez pas d'eau si les légumes viennent d'être lavés. Couvrir avec le couvercle pour les légumes tendres. Utilisez une pellicule de plastique pour les légumes tendres. Après la cuisson, mélangez si possible. Laisser reposer à couvert pendant 2 à 5 minutes.
2.	Légumes frais plus longs: Carottes, tranchées Maïs en épi Haricots verts Courge d'hiver: en dés en moitié	.25 - 1.5 livres 2 - 4 .25 - 1.5 livres .25 - 1.5 livres 1 - 2	Placez dans la cocotte. Ajoutez 1 à 4 cuillères à soupe d'eau. Couvrir avec le couvercle pour les légumes tendres. Utilisez une pellicule plastique pour les légumes tendres et croustillants. Après la cuisson, mélangez si possible. Laisser reposer à couvert pendant 2 à 5 minutes.
3.	Légumes congelés	.25 - 1.25 livres	Ajouter pas d'eau. Couvrir avec un couvercle ou une pellicule plastique. Après la cuisson, remuez et laissez reposer à couvert pendant 3 minutes.

CUISSON PAR TIROIR À MICRO-ONDES (SUITE)

	ALIMENTS	MONTANT	PROCÉDURE
4.	Plats surgelés	6 - 17 onces	Utilisez ce tampon pour les plats préparés surgelés. Cela donnera des résultats satisfaisants pour la plupart des marques. Vous voudrez peut-être en essayer plusieurs et choisir votre préféré. Retirez l'emballage de l'emballage extérieur et suivez les instructions pour l'emballage. Après la cuisson, laissez reposer à couvert pendant 1 à 3 minutes.
5.	Pommes de terre cuites	1 - 6 moyen	Transpercer. Placez-le sur le Tiroir à Micro-ondes tapissé de papier essuie-tout. Après la cuisson, retirez du four à micro-ondes, enveloppez-le dans du papier aluminium et laissez reposer 5 à 10 minutes.
6.	Patates douces	1 - 6 moyen	
7.	Viande hachée	.25 - 2.0 livres	Utilisez ce réglage pour cuire du bœuf haché ou de la dinde en galettes ou dans une casserole à ajouter aux autres ingrédients. Placez les galettes sur une grille allant au micro-ondes et couvrez-les de papier ciré. Placez la viande hachée dans une casserole et couvrez-la de papier ciré ou d'une pellicule plastique. Lorsque le micro-ondes s'arrête, retournez les galettes ou mélangez la viande dans la cocotte pour casser les gros morceaux. Recouvrez et touchez START/ADD MINUTE . Après la cuisson, laissez reposer à couvert pendant 2 à 3 minutes.
8.	Poisson / fruits de mer	.25 - 2.0 livres	Disposer les anneaux autour du plat en verre peu profond (rouler le filet avec les bords en dessous). Couvrir avec une enveloppe en plastique. Après la cuisson, laissez reposer à couvert pendant 3 minutes.
9.	Riz blanc	.5 - 2.0 tasses	Placez le riz dans une casserole profonde et ajoutez une quantité double d'eau. Couvrir avec un couvercle ou une pellicule plastique. Après la cuisson, remuez, couvrez et laissez reposer 3 à 5 minutes ou jusqu'à ce que tout le liquide soit absorbé.
10.	Riz brun	.5 - 2.0 tasses	

RIZ	EAU	TAILLE DE LA CASSEROLE
.5 tasse	1 tasse	1.5 pintes
1 tasse	2 tasses	2 pintes
1.5 tasses	3 tasses	2.5 or 3 pintes
2 tasses	4 tasses	3 pintes ou plus

DEFROST (DÉCONGELER)

Utilisez cette fonction pour décongeler les aliments indiqués dans le TABLEAU DE DÉCONGÉLATION suivant.

- Appuyez sur la touche **DEFROST**. L'écran affiche SEE LABEL SELECT FOOD NUMBER
- Voir le libellé du menu. Sélectionnez la nourriture désirée en appuyant sur le pavé numérique. Ex: Touch 2 pour les steaks / côtelettes. L'écran affiche STEAKS CHOPS ENTER WEIGHT
- Entrez le poids en touchant les touches numériques. Ex: pour une livre, appuyez sur 1 0. 1.0 lb affiche.
- Appuyez sur **START/ADD MINUTE**. Le four s'arrête pour que les aliments puissent être vérifiés.
- Après la première étape, ouvrez le Tiroir à Micro-ondes. Retournez le bifteck et protégez les portions chaudes. Fermez le Tiroir à Micro-ondes. Appuyez sur **START/ADD MINUTE**.
- Après la deuxième étape, ouvrez le Tiroir à Micro-ondes. Protégez les portions chaudes. Fermer le Tiroir à Micro-ondes. Appuyez sur **START/ADD MINUTE**.
- Une fois le dégivrage terminé, couvrir et laisser reposer comme indiqué dans le tableau ci-dessous.

CUISSON PAR TIROIR À MICRO-ONDES (SUITE)

REMARQUE:

- Le dégivrage peut être programmé avec un réglage de « PLUS OU MOINS DE TEMPS » à la page 21.
- Pour décongeler d'autres aliments ou des aliments dont le poids est supérieur ou inférieur au poids autorisé sur le TABLEAU DE DÉCONGÉLATION, voir MANUEL DÉCONGÉLATION ci-dessous.
- Vérifiez les aliments lorsque le four signale. Après la phase finale, de petites sections peuvent encore être glacées. Laisser reposer pour continuer à décongeler. Ne faites pas cuire jusqu'à ce que tous les cristaux de glace soient décongelés.
- Le blindage empêche la cuisson de se produire avant que le centre des aliments ne soit décongelé. Utilisez de petites bandes de papier d'aluminium lisses pour couvrir les bords et les tranches plus minces des aliments.

FR

TABLEAU DE DÉCONGÉLATION

	ALIMENTS	MONTANT	PROCÉDURE
1.	Viande hachée	.5 - 2.0 livres	Retirez tous les morceaux décongelés après chaque signal sonore. Laisser reposer à couvert pendant 5 à 10 minutes.
2.	Steaks/ côtelettes	.5 - 3.0 livres	Après chaque signal sonore, réorganisez-le et, s'il y a des parties chaudes ou décongelées, protégez-les avec de petits morceaux plats de papier aluminium. Retirez toute viande ou poisson presque décongelé. Laisser reposer à couvert pendant 10 à 20 minutes.
3.	Volailles désossées	.5 - 2.0 livres	Après chaque signal sonore, réorganisez ou retirez les parties chaudes ou décongelées. Laisser reposer à couvert pendant 10 à 20 minutes.
4.	Volailles avec os	.5 - 3.0 livres	Après chaque signal sonore, réorganisez les pièces ou enlevez les parties si elles deviennent chaudes ou décongelées. Laisser reposer à couvert pendant 10 à 20 minutes.
5.	Rôti	2.0 - 4.0 livres	Commencez la décongélation avec le côté gras vers le bas. Après chaque étape, retourner le rôti et protéger les portions chaudes avec du papier aluminium. Laisser reposer à couvert pendant 30 à 60 minutes.
6.	Casseroles, Soupe	2 - 6 tasses 1 - 6 tasses	Après chaque signal sonore, séparez et retirez toute partie décongelée. À la fin, bien remuer et laisser reposer à couvert pendant 5 à 10 minutes.

DÉCONGELER MANUEL

Si l'aliment que vous souhaitez décongeler ne figure pas dans le TABLEAU DE DÉCONGÉLATION ou s'il se situe au-dessus ou au-dessous des limites indiquées dans la colonne MONTANT du TABLEAU DE DÉCONGÉLATION, vous devez décongeler manuellement.

Vous pouvez décongeler des aliments surgelés, crus ou déjà cuits, en utilisant le niveau de puissance à 30%. Suivez la procédure exacte en 3 étapes indiquée sous POUR DÉFINIR LE NIVEAU DE PUISSANCE à la page 13. Estimez la durée de dégivrage et appuyez huit fois sur la touche **POWER LEVEL** pour obtenir une puissance de 30%.

Pour les aliments congelés crus ou déjà cuits, la règle générale est d'environ 4 minutes par livre. Par exemple, décongeler 4 minutes pour 1 livre de sauce à spaghetti congelée.

Toujours arrêter le four périodiquement pour enlever ou séparer les parties décongelées. Si les aliments ne sont pas décongelés à la fin du temps de décongélation estimé, programmez le four par incréments de 1 minute au niveau de puissance 30% jusqu'à décongélation totale.

Lorsque vous utilisez des récipients en plastique provenant du congélateur, ne décongelez que le temps nécessaire pour pouvoir les retirer du plastique afin de les placer dans un plat allant au micro-ondes.

CUISSON PAR TIROIR À MICRO-ONDES (SUITE)

REHEAT (RÉCHAUFFER)

Réchauffer calcule automatiquement le temps de réchauffement et le niveau de puissance micro-ondes corrects pour les aliments indiqués dans le tableau ci-dessous.

1. Appuyez une fois sur la touche REHEAT. L'écran affiche
2. Voir le Étiquette du Menu. Sélectionnez la nourriture désirée en touchant le pavé numérique. Ex: Touch 2 pour les petits pains ou muffins congelés
3. Appuyez sur le pavé numérique pour sélectionner la quantité. Ex: Appuyez sur 2 pour 2 petits pains ou muffins.
4. Appuyez sur **START/ADD MINUTE**.

REMARQUE:

- Le réchauffage peut être programmé avec un réglage de « PLUS OU MOINS DE TEMPS » à la page 21.
- Réchauffer manuellement d'autres aliments ou des aliments supérieurs ou inférieurs à la quantité autorisée sur le TABLEAU DE RÉCHAUFFAGE.

TABLEAU DE RÉCHAUFFAGE

	ALIMENTS	MONTANT	PROCÉDURE
1.	Petits pains / muffins frais	1 - 8 pcs	Utilisez ce tampon pour réchauffer des petits pains, des muffins, des biscuits, des bagels, etc. Les gros articles doivent être considérés comme de 2 ou 3 tailles normales. Disposer sur une assiette; couvrir avec une serviette en papier. Pour les petits pains ou muffins réfrigérés, il peut être nécessaire de doubler la quantité entrée pour assurer la bonne température de service. Par exemple, entrez une quantité de 2 pour 1 muffin réfrigéré.
2.	Petits pains / muffins surgelés	1 - 8 pcs	Utilisez ce coussinet pour réchauffer des petits pains, des muffins, des biscuits, des bagels, etc. congelés. Les gros articles doivent être considérés comme de 2 ou 3 formats normaux. Disposer sur une assiette; couvrir avec une serviette en papier.

BEVERAGE CENTER (CENTRE DE BOISSON)

Beverage Center vous permet de réchauffer du café ou du thé pour rétablir une température de boisson plus appropriée ou de préparer du café ou du thé instantané.

Supposons que vous souhaitiez préparer 2 tasses de café.

1. Appuyez sur **BEVERAGE**. L'écran affiche
2. Voir le libellé du menu. Sélectionnez la sélection souhaitée en touchant le pavé numérique. Ex: Touchez 2 pour faire du café.
3. Appuyez plusieurs fois sur le même pavé numérique pour sélectionner la quantité. Ex: Touchez 2 deux fois de plus pour 2 tasses de café.
4. Appuyez sur **START/ADD MINUTE**.

REMARQUE:

- Beverage peut être programmé avec un réglage de « PLUS OU MOINS DE TEMPS » à la page 21.
- Si vous essayez de saisir plus ou moins que le montant autorisé, un message d'erreur apparaîtra à l'écran.

CUISSON PAR TIROIR À MICRO-ONDES (SUITE)

TABLEAU DE CENTRE DE BOISSON

	ALIMENTS	MONTANT	PROCÉDURE
1.	Réchauffer la boisson	1/2 - 2 tasses	Ce réglage est utile pour rétablir la température de boisson refroidie. Appuyez sur la touche 1 pour une augmentation de 0,5 tasse par touche. Remuer après chauffage.
2.	Eau chaude	1 - 6 tasses	Utilisez ce réglage pour chauffer l'EAU FROID DU ROBINET à une température légèrement inférieure au point d'ébullition pour obtenir du café ou du thé instantané. Appuyez sur la touche 2 pour une augmentation de 1 tasse par touche. Mélangez bien le liquide avant et après le chauffage pour éviter les «éruptions».

FR

MELT/SOFTEN/WARM (FONDRE/RAMOLLIR/RÉCHAUFFER)

Fondre, ramollir et réchauffer calculent automatiquement la durée de chauffage et le niveau de puissance du micro-ondes appropriés pour faire fondre, ramollir et réchauffer les aliments indiqués dans le tableau ci-dessous.

- Appuyez sur MELT. L'écran affiche
- Voir le libellé du menu. Sélectionnez la nourriture désirée en touchant le pavé numérique. Ex: Touchez pour le chocolat.
- Répétez en touchant le même pavé numérique pour sélectionner la quantité. Ex: Touchez deux fois plus pour 1 carré (1 once).
- Appuyez sur **START/ADD MINUTE**.

REMARQUE:

- La fusion, le ramollissement et le réchauffement peuvent être programmés avec un réglage de «PLUS OU MOINS DE TEMPS» à la page 21.
- Pour faire fondre, ramollir ou réchauffer d'autres aliments ou des aliments au-dessus ou au-dessous de la quantité autorisée sur le TABLEAU DE MELT/SOFTEN/WARM, utilisez l'opération manuelle.

TABLEAU DE FONDRE, RAMOLLIR ET RÉCHAUFFER

	ALIMENTS	MONTANT	PROCÉDURE
	MELT (FONDRE)		Utilisez une tasse à mesurer en Pyrex. Couvrir d'une pellicule de plastique.
1.	Beurre	2 tbsp [29.6 ml] 1/2 tasse	Après avoir touché MELT , touchez 1 deux fois pendant 2 tbsp [30 ml]. Après avoir touché MELT , touchez 1 trois fois pour 0,5 tasse [118 ml]..
2.	Chocolat	1 tasse pépites de chocolat 1 carré (1 once)	Après avoir touché MELT , touchez 1 deux fois pendant 2 tbsp [30 ml]. Après avoir touché MELT , touchez 1 trois fois pour 0,5 tasse [118 ml]. Après avoir touché MELT , touchez 2 deux fois pendant 1 tasse pépites [237 ml]. Après avoir touché MELT , touchez 2 trois fois pour 1 carré (1 once).
	SOFTEN (RAMOLLIR)		NE PAS COUVRIR .
1.	Crème glacée	1 pinte [473 ml] 1/2 gallon [2 l]	Après avoir touché SOFTEN , touchez 1 deux fois pendant 1 pinte. Après avoir touché SOFTEN , touchez 1 trois fois pour 1/2 gallon.
2.	Fromage à la crème	3 onces [85 g] 8 onces [226 g]	Après avoir touché SOFTEN , touchez 2 deux fois pendant 3 onces [85g] Après avoir touché SOFTEN , touchez 2 trois fois pour 8 onces [227g]
	WARM (RÉCHAUFFER)		Utilisez une tasse à mesurer en Pyrex. NE PAS COUVRIR.
1.	Sirop	1/4 tasse [59 ml] 1/2 tasse [118 ml]	Après avoir touché WARM , touchez 1 deux fois pendant 1/4 tasse [59 ml]. Après avoir touché WARM , touchez 1 trois fois pour 1/2 tasse [118 ml].
2.	Garnitures à dessert	1/4 tasse [59 ml] 1/2 tasse [118 ml]	Après avoir touché WARM , touchez 2 deux fois pendant 1/4 tasse [59 ml]. Après avoir touché WARM , touchez 2 trois fois pour 1/2 tasse [118 ml]..

AUTRES CARACTÉRISTIQUES

KEEP WARM (GARDER AU CHAUD)

Keep Warm (Garder au chaud) vous permet de garder les aliments au chaud jusqu'à 30 minutes.

UTILISATION DIRECTE

1. Appuyez sur **KEEP WARM**. L'écran affiche
2. Entrez l'heure souhaitée en appuyant sur les touches numériques. Pour entrer 30 minutes, appuyez sur
3. Appuyez sur **START/ADD MINUTE**.

Le four va commencer. L'écran affichera et compter à rebours. sera affiché par intermittence pendant le compte à rebours.

AVEC CUISSON MANUELLE

1. Entrez le temps de cuisson et le niveau de puissance désirés.
2. Appuyez sur **KEEP WARM**.
3. Entrez le temps de réchauffement souhaité jusqu'à 30 minutes.
4. Appuyez sur **START/ADD MINUTE**.

L'opération va commencer. Une fois le temps de cuisson écoulé, une longue tonalité retentit et Keep Warm commence. L'affichage comptera à rebours. sera affiché par intermittence pendant le compte à rebours.

REMARQUE:

- Si vous essayez d'entrer plus de 30 minutes pour Keep Warm, un message d'erreur apparaît à l'écran.
- Le maintien au chaud ne peut pas être programmé avec Sensor Popcorn, Sensor Reheat, Sensor Cook, Defrost ou Reheat.

CUISSON À SÉQUENCES MULTIPLES

Votre Tiroir à Micro-ondes peut être programmé pour un maximum de 4 séquences de cuisson automatiques, en passant d'un réglage de niveau de puissance à un autre automatiquement.

Parfois, les instructions de cuisson vous indiquent de commencer sur un niveau de puissance puis de passer à un niveau de puissance différent. Votre Tiroir à Micro-ondes peut le faire automatiquement.

1. Entrez d'abord le temps de cuisson. Ensuite, appuyez une fois sur **POWER LEVEL** pour une cuisson à 100% ou appuyez plusieurs fois sur **POWER LEVEL** pad pour obtenir un niveau de puissance inférieur.
2. Entrez le deuxième temps de cuisson. Répétez en touchant **POWER LEVEL** pour le niveau souhaité. Vous pouvez suivre cette procédure jusqu'à 4 fois.
3. Appuyez sur **START/ADD MINUTE**.

REMARQUE:

- Si vous appuyez une fois sur la touche **POWER LEVEL**, l'affichage s'affiche.
- Si 100% est sélectionné comme séquence finale, il n'est pas nécessaire de toucher le pad de niveau de puissance.
- Si vous souhaitez connaître le niveau de puissance pendant la cuisson, appuyez simplement sur la touche **POWER LEVEL**. Tant que votre doigt touche le pad de **POWER LEVEL**, le niveau de puissance sera affiché.
- KEEP WARM peut être programmé même si 4 séquences de cuisson ont été définies.

AUTRES CARACTÉRISTIQUES (SUITE)

FR

ADD MINUTE (AJOUTER MINUTE)

Cette fonction vous permet de cuire une minute à 100% en touchant simplement la touche **START/ADD MINUTE**. Vous pouvez également prolonger la durée de cuisson par multiples de 1 minute en appuyant plusieurs fois sur la touche **START/ADD MINUTE** pendant la cuisson manuelle.

REMARQUE:

- Pour utiliser **ADD MINUTE**, appuyez sur la touche dans les 3 minutes qui suivent la cuisson, en fermant le tiroir ou en touchant **STOP/CLEAR**.
- **ADD MINUTE** ne peut pas être utilisé avec **SENSOR SETTINGS**, **REHEAT** ou **DEFROST**.

PLUS OU MOINS DE TEMPS

Si vous constatez que vous aimez l'un des réglages Sensor, Reheat or Defrost cuisent légèrement plus, appuyez sur la touche **POWER LEVEL** après avoir touché votre sélection. L'affichage indiquera **MORE**.

Pour cuire un peu moins, appuyez deux fois sur la touche **POWER LEVEL** après avoir touché votre sélection. L'affichage montrera **LESS**.

CONTROL LOCK (VERROUILLAGE DE CONTRÔLE)

Le verrouillage de contrôle empêche toute manipulation indésirable du tiroir, par exemple par des enfants en bas âge. Le Tiroir à Micro-ondes peut être configuré de manière à désactiver ou à verrouiller le panneau de commande et le mécanisme de porte automatique.

VERROUILLER LES CONTRÔLES

Appuyez sur la touche Control Lock et maintenez-la enfoncée pendant 3 secondes. L'affichage montre **LOCK ON**.

DÉVERROUILLER LES CONTRÔLES

Touchez **CONTROL LOCK** pad et maintenez-le enfoncé pendant 3 secondes. L'affichage montre **LOCK OFF**.

Le verrouillage de contrôle est annulé lorsque l'alimentation électrique de votre four est interrompue. Réglez à nouveau le verrouillage des commandes lorsque le four est rétabli.

SETUP/HELP (CONFIGURER / AIDE)

Chaque réglage de Sensor Reheat, Sensor Cook, Sensor Popcorn, Keep Warm, Reheat et Defrost a un indice de cuisson. Pour afficher, appuyez sur **SETUP/HELP** chaque fois que **HELP** est allumé dans l'affichage interactif pour ces conseils de fonctionnement manuel.

ELIMINATION DU SIGNAL AUDIBLE

À la fin de la cuisson programmée, des bips retentissent. Le signal sonore peut être désactivé si vous préférez un fonctionnement silencieux.

POUR DÉSACTIVER LE SON

1. Appuyez sur **SETUP/HELP**. L'écran affiche **TOUCH AGAIN**
2. Appuyez sur **SETUP/HELP** à nouveau. L'écran affiche **SOUND OFF ? TOUCH START**
3. Appuyez sur **START/ADD MINUTE**. L'écran affiche **SOUND OFF**

POUR RESTAURER LE SON

1. Appuyez sur **SETUP/HELP**. L'écran affiche **TOUCH AGAIN**
2. Appuyez sur **SETUP/HELP** à nouveau. L'écran affiche **SOUND ON ? TOUCH START**
3. Appuyez sur **START/ADD MINUTE**. L'écran affiche **SOUND ON**

AUTRES CARACTÉRISTIQUES (SUITE)

RAPPEL DE FIN DE CUISSON

À la fin de la cuisson minutée, le four à micro-ondes émettra un signal toutes les 10 secondes pendant la première minute; puis toutes les 3 minutes jusqu'à ce que vous touchiez le bouton **STOP/CLEAR** (jusqu'à une heure).

POUR DÉSACTIVER LE RAPPEL

- Appuyez trois fois sur **SETUP/HELP**. L'affichage montre

REMIND	SIGNAL	OFF ?	TOUCH	START
--------	--------	-------	-------	-------

.
- Appuyez sur **START/ADD MINUTE** pad. L'affichage montre

REMIND	SIGNAL	OFF
--------	--------	-----

.

POUR RÉACTIVER LE SIGNAL DE RAPPEL

- Appuyez trois fois sur **SETUP/HELP**. L'affichage montre

REMIND	SIGNAL	ON ?	TOUCH	START
--------	--------	------	-------	-------

.
- Appuyez sur **START/ADD MINUTE** pad. L'affichage montre

REMIND	SIGNAL	ON
--------	--------	----

.

DÉMARRAGE AUTOMATIQUE

Si vous souhaitez programmer le four micro-ondes du tiroir pour commencer la cuisson automatiquement à une heure précise de la journée, suivez cette procédure.

- Appuyez 4 fois sur **SETUP/HELP**. L'affichage montre

AUTO	START	TOUCH	START
------	-------	-------	-------

.
- Appuyez sur **START/ADD MINUTE**. L'affichage montre

ENTER	START	TIME
-------	-------	------

.
- Entrez l'heure de début. L'affichage montre

4:30	TOUCH	CLOCK
------	-------	-------

.
- Appuyez sur **TIMER/CLOCK**. L'affichage montre

ENTER	COOKING	TIME
-------	---------	------

.
- Appuyez sur les touches numériques pour entrer le temps de cuisson.

20.00	TOUCH	START
-------	-------	-------

OR	TOUCH	POWER	LEVEL
----	-------	-------	-------

. Appuyez plusieurs fois sur la touche **POWER LEVEL** jusqu'à atteindre le niveau de puissance souhaité.

TOUCH	START
-------	-------

.
- Appuyez sur **START/ADD MINUTE**.

MODE DE DÉMONSTRATION

Le micro-ondes du tiroir ne chauffe pas en mode démo. L'affichage décompte rapidement.

POUR SÉLECTIONNER LE MODE DE DÉMONSTRATION

- Appuyez cinq fois sur **SETUP/HELP**. L'affichage montre

DEMO ON?	HOLD	START	3 SEC
----------	------	-------	-------

.
- Maintenez **START** / ajouter un bloc de minutes pendant 3 secondes. L'affichage montre

DEMO ON

.

POUR ANNULER LE MODE DE DÉMONSTRATION

- Appuyez cinq fois sur **SETUP/HELP**. L'affichage montre

DEMO	OFF ?	TOUCH	START
------	-------	-------	-------

.
- Appuyez sur **START/ADD MINUTE**. L'affichage montre

DEMO	OFF
------	-----

.

REMARQUE:

- Si l'alimentation électrique de votre Tiroir à Micro-ondes doit être interrompue, l'afficheur indiquera par intermittence

ENJOY	YOUR	MICRO-	WAVE	TOUCH	CLEAR	AND	TOUCH
-------	------	--------	------	-------	-------	-----	-------

CLOCK

 après le rétablissement du courant. Si cela se produit, toute option **SETUP/HELP** que vous avez entrée sera effacée. Il suffit de toucher **STOP/CLEAR** et re-définir l'option.

MODE VEILLE

Ce micro-ondes passera en mode veille après une période d'inactivité. Le rétroéclairage de l'écran s'assombrit automatiquement au bout de 3 minutes si l'appareil n'a pas fonctionné. Si l'écran est en mode veille, il vous suffit de toucher le panneau de commande ou d'ouvrir / fermer la porte pour que le rétro-éclairage revienne à sa luminosité maximale.

NETTOYAGE ET ENTRETIEN

NETTOYER L'EXTÉRIEUR

La surface extérieure est en métal et plastique préenduit. Nettoyez l'extérieur avec du savon doux et de l'eau; rincer et sécher avec un chiffon doux. N'utilisez aucun type de nettoyeur ménager ou abrasif.

SURFACE EN ACIER INOXYDABLE

L'extérieur doit être souvent essuyé avec un chiffon doux et humide et poli avec un chiffon doux et sec pour préserver sa beauté. Il existe également une variété de produits conçus spécialement pour nettoyer et faire briller l'extérieur en acier inoxydable du four. Nous recommandons que le nettoyeur soit appliqué sur un chiffon doux, puis soigneusement utilisé sur l'extérieur en acier inoxydable, plutôt que vaporisé directement dessus. Suivez attentivement les instructions sur l'emballage.

FACE AVANT DU TIROIR

Essuyez la fenêtre des deux côtés avec un chiffon doux et humide pour éliminer les éclaboussures. Les pièces métalliques seront plus faciles à entretenir si elles sont fréquemment essuyées avec un chiffon doux et humide. Évitez les pulvérisations et autres produits de nettoyage agressifs, car ils pourraient tacher, laisser des traces ou ternir la surface du tiroir.

PANNEAU DE COMMANDE TACTILE

Si vous le souhaitez, les pavés peuvent être désactivés avant le nettoyage. Voir les informations sur «CONTROL LOCK (Verrouillage de contrôle)» à la page 21 de ce manuel. Essuyez le panneau avec un chiffon légèrement imbibé d'eau. Sécher avec un chiffon doux. Ne pas frotter ou utiliser aucun type de nettoyeur chimique. Fermez «CONTROL LOCK (Verrouillage de contrôle)» à la page 21 pour désactiver CONTROL LOCK. Touchez **STOP/CLEAR**.

NETTOYAGE DE L'INTÉRIEUR

Avant de nettoyer le Tiroir à Micro-ondes, appuyez sur le bouton CONTROL LOCK pendant 3 secondes pour verrouiller le pavé de commande et le mécanisme de porte automatique. Le tiroir peut être verrouillé en position ouverte ou fermée. L'affichage montre LOCK ON . Cela empêchera le tiroir de s'ouvrir ou de se fermer accidentellement pendant le nettoyage. Après le nettoyage, touchez et maintenez le bouton CONTROL LOCK pour 3 secondes pour désactiver le verrouillage. L'affichage montre LOCK OFF .

Le nettoyage est facile car aucune chaleur n'est générée aux surfaces intérieures; par conséquent, il n'y a pas de cuisson et de réglage des déversements ou des éclaboussures. Pour nettoyer les surfaces intérieures, y compris les surfaces d'étanchéité des tiroirs, essuyez-les avec un chiffon doux et humide. NE PAS UTILISER DE NETTOYANTS ABRASIFS OU DIFFICILES NI DE TAMPONS À RÉCURER. Pour les sols plus lourds, utilisez du savon doux; essuyer avec un chiffon doux et humide. Ne pas utiliser de nettoyeur chimique pour four.

GUIDES DE TIROIR

Retirez les miettes de nourriture des guides du tiroir. Essuyez avec un chiffon doux et sec pour que le tiroir s'ouvre et se ferme en douceur.

COUVERCLE DE GUIDE D'ONDES

AVIS LE COUVERCLE DU GUIDE D'ONDES, SITUÉ À L'INTÉRIEUR, DANS LA PARTIE SUPÉRIEURE DE LA ZONE DES MICRO-ONDES DU TIROIR, EST EN MICA. IL NÉCESSITE DONC UN SOIN PARTICULIER. GARDEZ LE COUVERCLE DU GUIDE D'ONDE PROPRE POUR ASSURER DE BONNES PERFORMANCES EN MICRO-ONDES. ESSUYEZ SOIGNEUSEMENT AVEC UN CHIFFON DOUX ET HUMIDE LES ÉVENTUELS ÉCLABOUSSURES DE NOURRITURE À LA SURFACE DE LA COUVERCLE IMMÉDIATEMENT APRÈS LEUR APPARITION. LES ÉCLABOUSSURES ACCUMULÉES PEUVENT SURCHAUFFER ET PROVOQUER DE LA FUMÉE OU ÉVENTUELLEMENT PRENDRE FEU. NE RETIREZ PAS LE COUVERCLE DU GUIDE D'ONDES.

NETTOYAGE ET ENTRETIEN (SUITE)

ÉLIMINATION DES ODEURS

De temps en temps, une odeur de cuisson peut rester dans le micro-ondes du tiroir. Pour éliminer les odeurs, combinez 1 tasse d'eau, le zeste râpé et le jus d'un citron et plusieurs clous de girofle entiers dans une tasse à mesurer en verre pouvant aller au micro-ondes. Faire bouillir pendant plusieurs minutes à 100%. Laissez au micro-ondes le tiroir jusqu'à ce que l'eau refroidisse. Essuyez l'intérieur avec un chiffon doux.

DÉPANNAGE

AVANT D'APPELER LE SERVICE

Veuillez vérifier les points suivants avant d'appeler le service. Cela peut vous faire économiser temps et argent.

	PROBLÈME	CAUSE POSSIBLE	SOLUTION
1.	Tout ou partie du Tiroir à Micro-ondes ne fonctionne pas.	<ul style="list-style-type: none">Le cordon d'alimentation du micro-ondes Drawer n'est pas complètement connecté à la prise électrique.Panne de courant.Le fusible / le disjoncteur à la maison ne fonctionne pas.Le micro-ondes du tiroir est en mode démo.	<ul style="list-style-type: none">Assurez-vous que le cordon d'alimentation est bien branché à la prise.Vérifiez les lumières de la maison pour être sûr. Appelez votre compagnie d'électricité locale pour le service.Remplacez le fusible ou réinitialisez le disjoncteur.Voir à la page 22 pour savoir comment annuler le mode démo.
2.	La nourriture dans le micro-ondes du tiroir n'est pas chauffée.	<ul style="list-style-type: none">Pas de courant à l'appareil.Les commandes du tiroir sont mal réglées.Le tiroir est en mode démo.	<ul style="list-style-type: none">Voir SOLUTION pour le PROBLÈME 1.Vérifiez si les contrôles ont été correctement définis.Voir à la page 22
3.	La lumière micro-ondes du tiroir ne fonctionne pas.	<ul style="list-style-type: none">L'ampoule est desserrée ou grillée.	<ul style="list-style-type: none">Appeler le service.
4.	Les commandes tactiles ne fonctionneront pas.	<ul style="list-style-type: none">Le verrouillage des commandes est activé.	<ul style="list-style-type: none">Voir à la page 21 pour déverrouiller.
5.	L'affichage clignote.	<ul style="list-style-type: none">Panne électrique.	<ul style="list-style-type: none">Appuyez sur Clear Pad et réinitialisez l'horloge. Si le four à micro-ondes du tiroir était en cours d'utilisation, vous devez réinitialiser la fonction de cuisson.
6.	La vapeur de l'évent	<ul style="list-style-type: none">Pendant la cuisson au micro-ondes, de la vapeur peut provenir du côté droit de la ventilation.	

GUIDE TACTILE DU TIROIR À MICRO-ONDES

Pour des informations plus complètes et des précautions de sécurité, reportez-vous aux sections détaillées de ce manuel.

RÉGLAGE DE L'HORLOGE

1. Touchez **TIMER/CLOCK** et le numéro **2**.
2. Touches numériques pour indiquer l'heure exacte et touchez à nouveau **TIMER/CLOCK**.

Si l'alimentation électrique de votre cuisinière devait être interrompue, l'affichage indiquera par intermittence:

ENJOY
YOUR
MICRO-
WAVE
TOUCH
CLEAR
AND
TOUCH
CLOCK

TEMPS DE CUISSON

CUISSON HAUTE PUISSANCE

1. Entrez le temps de cuisson en appuyant sur les touches numériques. (Ex: **5 0 0** pour cuire 5 minutes)

5 . 00	TOUCH
START	OR
TOUCH	POWER
LEVEL	

2. Touchez **START/ADD MINUTE**.

CUISSON À PUISSANCE VARIABLE

1. Après l'étape 1 ci-dessus, appuyez sur **POWER LEVEL** jusqu'à ce que le niveau de puissance souhaité soit affiché.
2. Touchez **START/ADD MINUTE**.

SENSOR COOK (Cuisson par Capteur)

Sensor Cook calcule automatiquement l'heure et le niveau de puissance corrects pour cuire parfaitement les aliments figurant sur l'étiquette de menu.

1. Touchez **SENSOR COOK**.

SEE
LABEL
SELECT
FOOD
NUMBER

2. Voir le libellé du menu. Sélectionnez la nourriture désirée en touchant le pavé numérique. Ex: Appuyez sur **5** pour les pommes de terre au four.
3. Touchez **START/ADD MINUTE**.

ADD MINUTE (Ajouter Minute)

Appuyez sur **START/ADD MINUTE** pour cuire pendant une minute à 100% de la puissance du micro-ondes ou pour ajouter une minute pendant la cuisson manuelle. Continuez à toucher pendant quelques minutes supplémentaires.

SENSOR POPCORN/SENSOR REHEAT

Touchez **SENSOR POPCORN** ou **SENSOR REHEAT** et **START/ADD MINUTE**.

REHEAT (Réchauffer)

Réchauffer calcule automatiquement le temps de réchauffement et le niveau de puissance du micro-ondes corrects pour les aliments indiqués sur l'étiquette du menu.

1. Touchez **REHEAT**.

SEE	LABEL
SELECT	FOOD
NUMBER	

2. Voir le libellé du menu. Sélectionnez la nourriture désirée en appuyant sur le pavé numérique. Ex: Appuyez sur **2** pour les petits pains ou muffins congelés.

FROZEN	ROLLS
MUFFINS	ENTER
NUMBER	

3. Appuyez sur le pavé numérique pour sélectionner la quantité. Ex: Appuyez sur **2** pour 2 petits pains ou muffins.
4. Touchez **START/ADD MINUTE**.

2 PCS

DEFROST (Décongeler)

Utilisez cette fonction pour décongeler les aliments indiqués sur l'étiquette du menu.

1. Touchez **DEFROST**.

SEE
LABEL
SELECT
FOOD
NUMBER

2. Voir le libellé du menu. Sélectionnez la nourriture désirée en appuyant sur le pavé numérique.

STEAKS
CHOPS
ENTER
WEIGHT

Ex: Touchez **2** pour les steaks / côtelettes.

- Entrez le poids en appuyant sur les touches numériques.

1.0 Lb

- Touchez **START/ADD MINUTE**.
- Le micro-ondes s'arrête pour permettre aux aliments d'être retournés, protégés et / ou retirés. Fermez le micro-ondes du tiroir. Touchez **START/ADD MINUTE**.

TIMER (Minuteur)

- Touchez **TIMER/CLOCK** et numéro

1

.
- Entrer le temps.
- Touchez **TIMER/CLOCK** à nouveau. Pour annuler le chronomètre, touchez **STOP/CLEAR**.

KEEP WARM (Garder au Chaud)

Keep Warm vous permet de garder les aliments au chaud jusqu'à 30 minutes.

UTILISATION DIRECTE

- Touchez **KEEP WARM**.

ENTER
TIME
UP TO
30
MINUTES

- Entrez l'heure souhaitée en appuyant sur les touches numériques. Pour entrer 30 minutes, appuyez sur

3	0	0	0
---	---	---	---

.

30:00
TOUCH
START

- Touchez **START/ADD MINUTE**.

AVEC CUISSON MANUELLE

- Entrez le temps de cuisson et le niveau de puissance souhaités.
- Touchez **KEEP WARM**.
- Entrez le temps de réchauffement souhaité jusqu'à 30 minutes.
- Appuyez sur la touche **START/ADD MINUTE**.

MELT / SOFTEN / WARM (Fondre / Ramollir / Réchauffer)

Utilisez ces fonctions pour faire fondre ou ramollir les aliments indiqués sur l'étiquette de menu.

- Touchez **MELT**.

SEE
LABEL
SELECT
FOOD
NUMBER

- Utilisez ces fonctions pour faire fondre ou ramollir les aliments. Voir l'étiquette de menu. Sélectionnez la nourriture désirée en appuyant sur le pavé numérique.

CHOCO-
LATE

Ex: Touchez

2

 pour le chocolat.

- Répétez en touchant le même pavé numérique pour sélectionner la quantité. Ex: touchez

2

 deux fois plus pour 1 carré (1 once).
- Touchez **START/ADD MINUTE**.

CONTROL LOCK (Verrouillage de Contrôle)

Le verrouillage des commandes empêche tout fonctionnement indésirable du four / tiroir, par exemple par de jeunes enfants. Le micro-ondes du tiroir peut être réglé de sorte que le panneau de commande soit désactivé ou verrouillé.

VERROUILLER

Appuyez sur **CONTROL LOCK** et maintenez pendant 3 secondes.

LOCK ON

DÉVEROULLER

Appuyez sur **CONTROL LOCK** et maintenez pendant 3 secondes.

LOCK
OFF

CUSTOM HELP (Aide Personnalisée)

Consultez le manuel d'utilisation pour plus de détails.

Touchez **SETUP/HELP**

- 2 fois pour le son désactivé / activé.
- 3 fois pour le rappel de fin de cuisson.
- 4 fois pour le démarrage automatique.
- 5 fois pour le mode de démonstration.

PIÈCES / SERVICE

ENREGISTREMENT DE DONNÉES DE SERVICE

La plaque signalétique contient le numéro de modèle et le numéro de série de l'appareil. Voir page 11 pour l'emplacement de la plaque.

C'est le bon moment pour écrire cette information dans l'espace ci-dessous. Conservez votre facture pour la validation de la garantie.

Numéro de modèle _____

Numéro de série _____

Date d'installation ou d'occupation _____

FR

LISTE DES PIÈCES

Visiter le site Web Hestan pour consulter la liste des pièces de ce produit:
www.hestanhome.com.

SERVICE

Toutes les réparations dans le cadre ou en dehors de la garantie doivent être effectuées par du personnel d'entretien qualifié. Pour localiser un réparateur agréé dans la région, s'adresser au concessionnaire Hestan, au représentant local ou à l'usine. Avant d'appeler, veiller à avoir les numéros de modèle et de série à portée de la main.

Hestan Commercial Corporation
3375 E. La Palma Avenue
Anaheim, CA 92806
(888) 905-7463

GARANTIE LIMITÉE

ÉLÉMENTS COUVERTS PAR LA PRÉSENTE GARANTIE LIMITÉE

Hestan Commercial Corporation (« HCC ») garantit à l'acheteur initial d'un appareil à gaz Hestan (le « Produit ») chez un revendeur agréé HCC que le Produit ne présente aucun vice de matière ni de fabrication pendant une période de deux (2) ans à compter de la date de l'achat initial au détail ou de la date de clôture en cas de construction neuve, suivant la période la plus longue (« Période de garantie limitée »). HCC accepte de réparer ou de remplacer, à sa seule discrétion, tout composant ou pièce du Produit dont la défaillance est due à des vices de matières ou de fabrication pendant la Période de garantie limitée. La présente Garantie limitée n'est pas transférable et n'est offerte à personne d'autre que l'acheteur initial au détail (« Acheteur »). La présente garantie limitée n'est valable que pour les Produits achetés chez et reçus d'un revendeur agréé HCC dans tous les Etats-Unis, dans le District de Columbia et au Canada. La présente Garantie limitée ne s'applique qu'aux Produits pour usage non commercial, à l'exclusion de ceux utilisés à des fins commerciales.

MARCHE À SUIVRE POUR UNE RÉPARATION AU TITRE DE LA GARANTIE

GARANTIE LIMITÉE (SUITE)

En cas de défaillance du Produit pendant la Période de garantie limitée pour des raisons couvertes par la présente Garantie limitée, l'Acheteur doit contacter immédiatement le revendeur auquel il a acheté le Produit ou HCC au 888.905.7463.

Il incombe à l'Acheteur de rendre le Produit raisonnablement accessible pour réparation ou de régler les frais de mise à disposition raisonnable du Produit pour réparation. La réparation sera effectuée pendant les heures d'ouverture normales du Centre de réparation agréé par Hestan. Dans la mesure où l'Acheteur demande une réparation en dehors des heures d'ouverture normales du Centre de réparation agréé par Hestan, l'Acheteur règlera la différence entre le tarif normal et celui des heures supplémentaires ou des primes. L'Acheteur doit régler tous les frais de déplacement si celui-ci dépasse 80 km [50 miles] (dans un sens) par rapport au Centre de réparation le plus proche agréé par Hestan.

ALLONGEMENTS AU-DELÀ DE LA PÉRIODE DE GARANTIE LIMITÉE DE DEUX ANS:

En plus de la garantie limitée de deux ans, les composants qui suivent bénéficient d'un prolongement de la garantie comme expressément énoncé ci-après :

Les brûleurs à gaz (hormis leur aspect extérieur), les éléments chauffants électriques, les moteurs de ventilateurs (hottes de ventilation), les tableaux de commande électronique, les magnétrons et les génératrices asynchrones (le cas échéant) du Produit sont garantis exempts de vices de matières et de fabrication dans des conditions normales d'utilisation non commerciale et de réparation pendant une période de cinq (5) ans au profit de l'Acheteur initial. Cela exclut la corrosion superficielle, les rayures et la décoloration susceptibles de se produire pendant une utilisation normale et se limite au remplacement de la ou des pièces défectueuses, tous les autres frais, y compris ceux de main d'œuvre, de transport et de manutention, le cas échéant, étant à la charge de l'Acheteur.

ÉLÉMENTS NON COUVERTS PAR LA PRÉSENTE GARANTIE LIMITÉE

La présente Garantie limitée ne couvre pas ce qui suit, excluant toute responsabilité financière de HCC : tous dommages ou vices affectant tout Produit non acheté chez un revendeur agréé HCC; variations de coloris dans la finition ou autres dommages esthétiques ; panne ou dommages dus à une utilisation abusive ou erronée, un accident, un incendie, une catastrophe naturelle, un usage commercial du Produit, une interruption de l'alimentation électrique ou en gaz du Produit ; dommages résultant d'une modification, d'une installation ou utilisation incorrecte du Produit; dommages résultant de la réparation ou du remplacement incorrect ou sans autorisation de tout composant ou pièce du Produit; dommages résultant d'un service après vente assuré par quiconque autre qu'un agent ou représentant agréé du réseau commercial de Hestan; usure normale et détérioration; dommages résultant de l'exposition du Produit à une atmosphère corrosive contenant du chlore, du fluor ou toute autre substance chimique nuisible; dommages résultant de l'absence d'un entretien normal du Produit; dommages dont HCC n'a pas été avisé ou qui se sont produits après expiration de la Période de garantie limitée; dommages accessoires et indirects causés par tout vice de matière ou de fabrication.

ARBITRAGE :

La présente Garantie limitée est régie par la Loi fédérale sur l'arbitrage. Tout litige opposant l'Acheteur à HCC et relatif au Produit ou à la présente Garantie limitée doit être résolu par voie d'arbitrage exécutoire exclusivement sur une base individuelle avec l'Acheteur. L'arbitrage sera effectué par l'Association Américaine d'Arbitrage (American Arbitration Association, « AAA ») conformément à ses règles d'arbitrage pour la protection du consommateur ou par JAMS. L'audience d'arbitrage se tiendra devant un arbitre nommé par l'AAA ou par JAMS. L'arbitre ne devra procéder à aucun arbitrage collectif et l'Acheteur devra renoncer à tout recours contre HCC en qualité de représentant de tiers.

GARANTIE LIMITÉE (SUITE)

LIMITATION DE RESPONSABILITÉ :

La présente Garantie limitée constitue l'accord définitif, intégral et exclusif entre HCC et l'Acheteur eu égard au Produit.

IL N'EXISTE AUCUNE GARANTIE EXPRESSE AUTRE QUE CELLES ÉNUMÉRÉES ET DÉCRITES PLUS HAUT. AUCUNE GARANTIE EXPRESSE OU IMPLICITE, Y COMPRIS SANS S'Y LIMITER, TOUTE GARANTIE IMPLICITE DE QUALITÉ MARCHANDE OU D'ADAPTATION À UN USAGE PARTICULIER NE S'APPLIQUERA APRÈS L'EXPIRATION DE LA PÉRIODE DE GARANTIE LIMITÉE INDIQUÉE PLUS HAUT. AUCUNE GARANTIE EXPRESSE APPLICABLE À CE PRODUIT OFFERTE PAR UNE PERSONNE OU ENTREPRISE QUELCONQUE N'ENGAGERA HCC. HCC NE GARANTIT EN AUCUNE FAÇON L'ADAPTATION DU PRODUIT À UN USAGE PARTICULIER, SAUF DISPOSITION CONTRAIRE DE LA LÉGISLATION APPLICABLE.

HCC N'ASSUME AUCUNE RESPONSABILITÉ POUR TOUT MANQUE À GAGNER, IMPOSSIBILITÉ DE RÉALISER DES ÉCONOMIES OU AUTRES AVANTAGES NI POUR TOUT AUTRE DOMMAGE PARTICULIER, DIRECT OU INDIRECT CAUSÉ PAR L'UTILISATION, L'USAGE ABUSIF OU L'INCAPACITÉ D'UTILISER CE PRODUIT, QUELLE QUE SOIT LA THÉORIE JURIDIQUE SUR LAQUELLE LA DEMANDE SE FONDE, MÊME SI HCC EST INFORMÉ DE LA POSSIBILITÉ DE TELS DOMMAGES. AUCUN RECOUVREMENT À L'ENCONTRE DE HCC NE SERA SUPÉRIEUR AU PRIX D'ACHAT DU PRODUIT.

SANS LIMITER LA PORTÉE DE CE QUI PRÉCÈDE, VOUS ASSUMEZ TOUS LES RISQUES ET LA RESPONSABILITÉ DES PERTES, DOMMAGES OU BLESSURES ET DÉGÂTS MATÉRIELS SUBIS PAR VOUS-MÊMES ET DES TIERS RÉSULTANT DE L'UTILISATION, DE L'USAGE ABUSIF OU DE L'INCAPACITÉ D'UTILISER CE PRODUIT, QUI NE SONT PAS CAUSÉS DIRECTEMENT PAR LA NÉGLIGENCE DE HCC. LA PRÉSENTE GARANTIE LIMITÉE FORMULE VOTRE RECOURS EXCLUSIF.

Aucune déclaration ni aucun engagement verbal ou écrit de la part de qui que ce soit, y compris sans s'y limiter un employé, représentant ou agent de HCC, ne créera une garantie ni élargira en quoi que ce soit la portée de la présente Garantie limitée expresse d'un an. En cas de divergence entre la présente garantie limitée et tout autre accord ou déclaration lié ou relatif au Produit, ce sera cette Garantie qui s'applique. Si une disposition quelconque de la présente Garantie limitée est déclarée invalide ou inapplicable, elle sera réputée modifiée dans la limite nécessaire pour la rendre applicable et le reste de la Garantie limitée restera valide et applicable selon ses modalités.

INTERACTION ENTRE CERTAINES LOIS ET LA PRÉSENTE GARANTIE LIMITÉE :

Il se peut que certains États, Provinces et Territoires n'autorisent pas la limitation de durée d'une garantie implicite ni l'exclusion ou la restriction des dommages directs ou indirects. Les limitations ou exclusions qui précèdent peuvent par conséquent ne pas être applicables. Il se peut que certains États, Provinces ou Territoires prévoient d'autres droits et recours en matière de garantie. Les dispositions de la présente Garantie limitée n'ont pas pour but de limiter, modifier, restreindre, nier ni exclure les conditions obligatoires de garantie prévues par des États, Provinces ou Territoires, y compris certaines garanties implicites. La présente garantie confère des droits précis, auxquels peuvent s'en ajouter d'autres qui varient selon le lieu.

Toute question relative à la présente Garantie limitée peut être adressée à
Hestan Commercial Corporation au (888) 905-7463

FR

**RETAIN THIS MANUAL FOR FUTURE REFERENCE
CONSERVEZ CE MANUEL POUR UNE RÉFÉRENCE FUTURE**



Hestan Commercial Corporation

3375 E. La Palma Ave.

Anaheim, CA 92806

(888) 905-7463

©2019 Hestan Commercial Corporation P/N 027834 REV B

TINSKB271MRRo