



ELECTRIC GRILL ROTISSERIE KIT

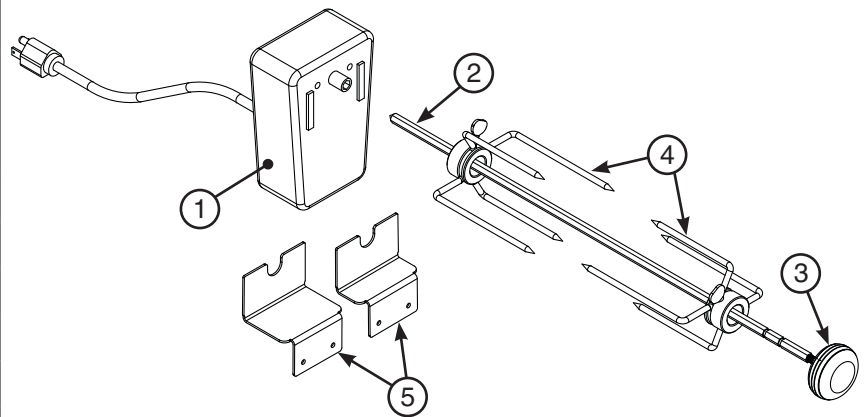
**MODEL # 3604S
3621**

INSTALLER: Leave these instructions with consumer.
CONSUMER: Retain for future reference.

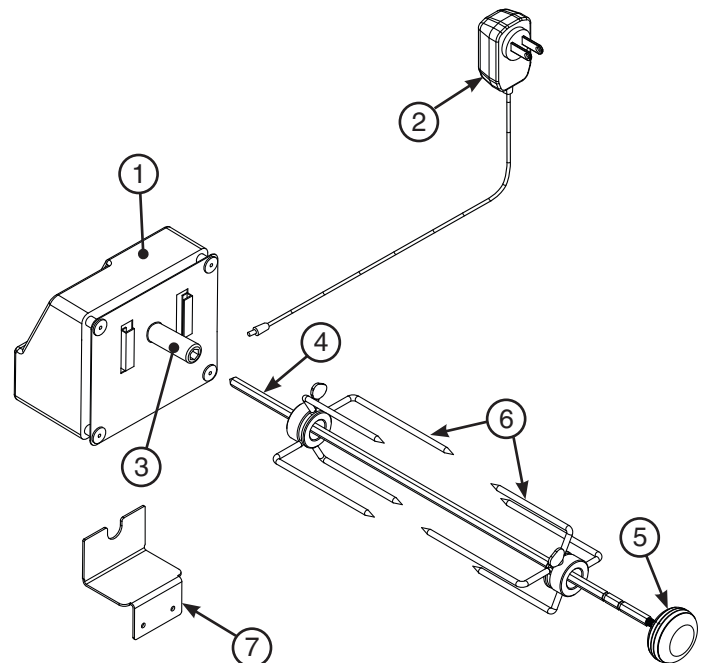


This rotisserie kit is for use with Fire Magic Electric Grills only. See below for your specific model parts list and the reverse side of this sheet for installation information.

3604S		
Rotisserie kit for Island Bundle, Countertop, and Post Patio Mount Electric Grills		
Item	Description	Qty.
1.	Rotisserie motor	1
2.	Rotisserie rod	1
3.	Rotisserie knob	1
4.	Meat holder (pair)	1
5.	Mounting bracket (two sizes)	2



3621		
Rotisserie kit for Custom Model Electric Grills		
Item	Description	Qty.
1.	Rotisserie motor	1
2.	Power supply	1
3.	Motor adapter	1
4.	Rotisserie rod	1
5.	Rotisserie knob	1
6.	Meat holder (pair)	1
7.	Mounting bracket	1



MOUNTING BRACKET SETUP

1. Using a Phillips screwdriver; remove the 2 screws located towards the rear, left side of the electric grill.
2. Locate the mounting bracket for your installation. See Fig. 2-1 and the following information for the correct bracket.

6304S includes 2 mounting brackets:

- Small bracket - For countertop and Post Patio Mount models
- Large bracket - For Island Bundle models

6321 includes 1 mounting bracket:

- Large bracket - For Custom models

3. Align the holes of the rotisserie bracket with the exposed screw holes on the grill. Using the screws from step 1, fasten the bracket to the grill (see Fig. 2-2).

Note: For Custom and Island Bundle models, the mounting bracket need to be inserted through the slot on the grill hanger.

4. Slide the rotisserie motor onto the bracket (see Fig. 2-3).

Reference the Electric Grill owner's manual for details on how to setup the grill for rotissing, loading the rotisserie rod, and overall use.

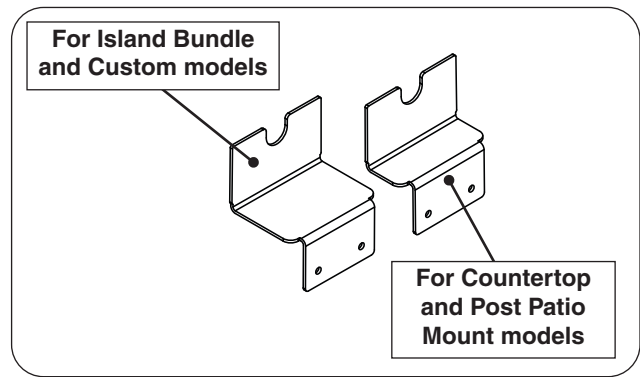


Fig. 2-1 Select mounting bracket

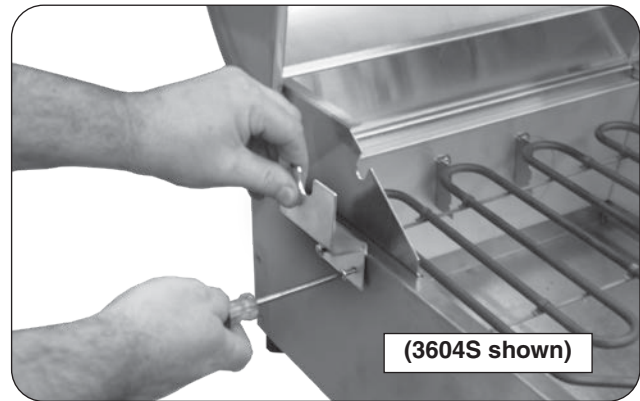


Fig. 2-2 Install bracket

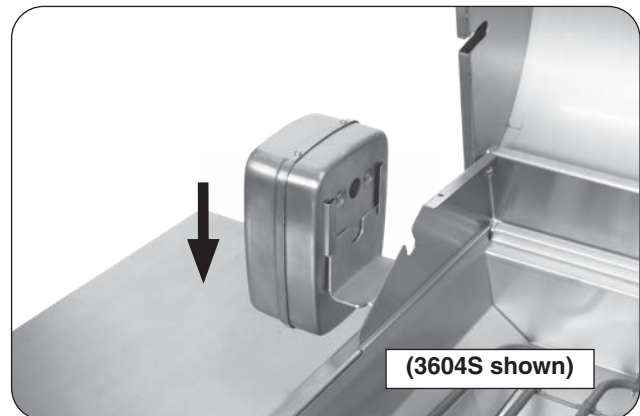


Fig. 2-3 Install rotisserie motor